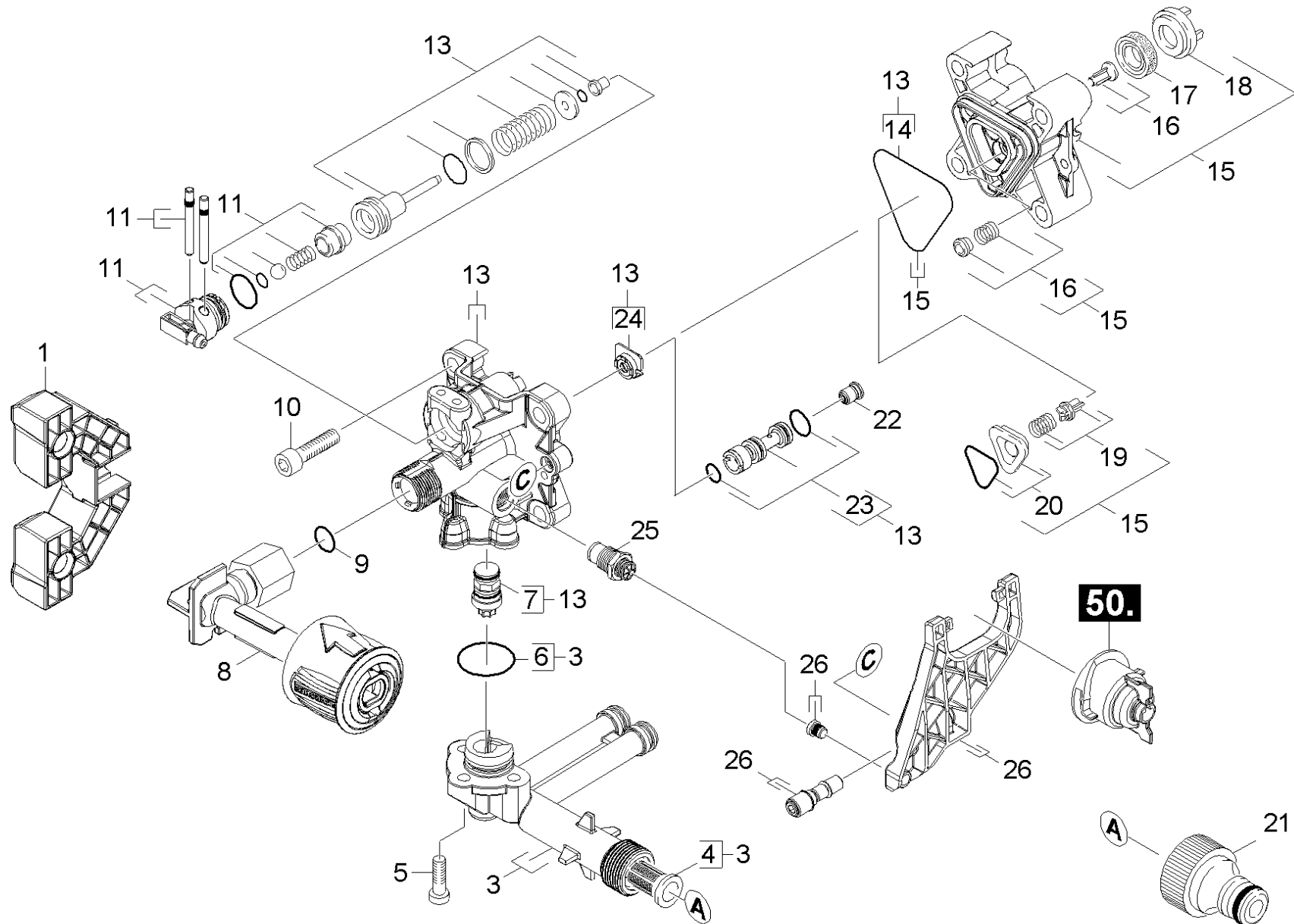


21 Housing

Home and Garden \ High pressure cleaner cold water \ Electric motor \ K 3 \ K 3.800 eco!logic *EU \ Spare parts list K3.800 eco!logic*EU \ Pump set \ Housing



21 Housing

Home and Garden \ High pressure cleaner cold water \ Electric motor \ K 3 \ K 3.800 eco!ogic *EU \ Spare parts list K3.800 eco!ogic*EU \ Pump set \ Housing

KÄRCHER

POS	Article no.	Description	Quantity	Unit
23	4.769-035.0	Nozzle insert	1	PC
4	5.731-598.0	Fine filter long	1	PC
9	6.362-151.0	O-Ring d. 10 x 2 NBR 70	1	PC
17	6.362-875.0	Grooved ring	3	PC
21	6.465-031.0	Connection 3/4	1	PC
10	7.306-151.0	Cylinder head screw M8x65 -8.8-A2E ISO4	4	PC
16	9.001-110.0	Moulded part complete	1	PC
19	9.001-275.0	Valve set	1	PC
20	9.001-276.0	Joining piece	1	PC
11	9.001-277.0	Spare parts set chemistry	1	PC
3	9.001-745.0	Connection complete	1	PC
13	9.001-895.0	Collector K3 ECO	1	PC
25	9.001-914.0	By-pass Eco K3 9.012-965.0	1	PC
26	9.001-916.0	Lever complete Eco	1	PC
7	9.002-164.0	plastic by pass (spare)	1	PC
8	9.002-412.0	outlet fitting K5 Al (spare)	1	PC
15	9.002-456.0	Pump head Alu FC ric	1	PC
22	9.012-924.0	Check valve Eco	1	PC
24	9.037-142.0	Distance holder	1	PC
1	9.037-673.0	Bracket pump (bridge)	1	PC
18	9.038-428.0	Supportring 6,7 mm	3	PC
	Item text1: 1.180-183.0			
18	9.038-428.0	Supportring 6,7 mm	3	PC
6	9.081-417.0	O-Ring d.20 x 2	1	PC
14	9.081-424.0	Form seal	1	PC
5	9.086-199.0	Screw M6x16	3	PC