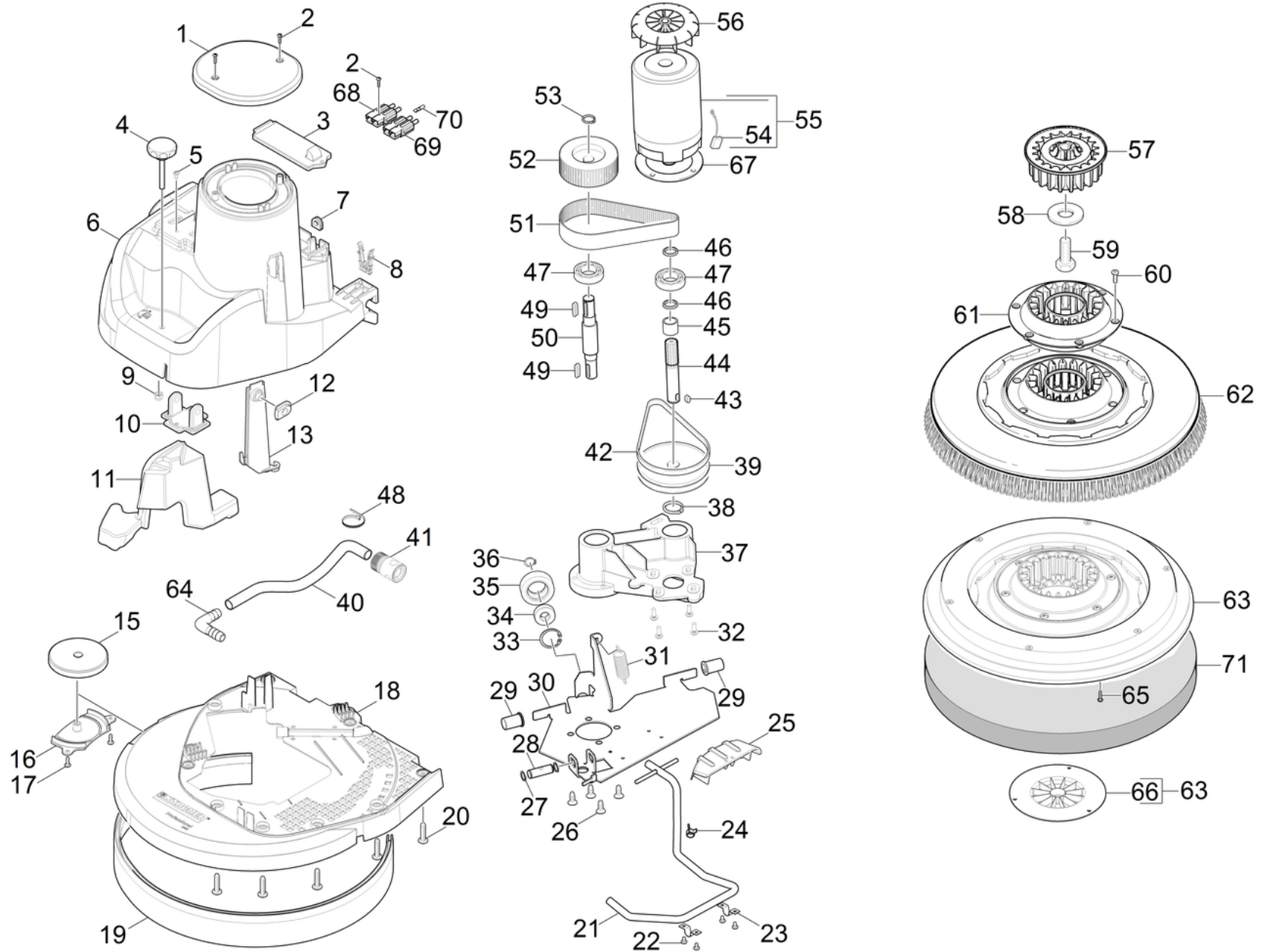


# 10 Power brush BD

Professional \ Floor cleaner \ Walk behind \ B 40 \ Brush-head D51 Bp \ Brush-head D51 Bp \ Spare parts list brush-head D51 Bp \ Power brush BD



## 10 Power brush BD

Professional \ Floor cleaner \ Walk behind \ B 40 \ Brush-head D51 Bp \ Brush-head D51 Bp \ Spare parts list brush-head D51 Bp \ Power brush BD



POS	Article no.	Description	Quantity	Unit	Remark
1	5.035-500.0	Motor cover BD	1.000	ST	
2	7.303-107.0	Screw 5x16 -10.9-P2R (K-In6Rd)	4.000	ST	
3	5.035-386.0	Cover electric box	1.000	ST	
4	6.321-249.0	Star grip	1.000	ST	
5	7.303-038.0	Screw M5x12 -St-P2R (In6Rd)	2.000	ST	
6	5.035-411.0	Cover BD	1.000	ST	
7	6.648-064.0	Cable bushing	1.000	ST	
8	5.035-424.0	Snap-fit	2.000	ST	
9	7.311-514.0	Hexagon nut M 8-A2-70 ISO 7040	1.000	ST	
10	5.035-604.0	Suspension seal brush-head BD	1.000	ST	
11	5.035-693.0	Additional weight BD40W	1.000	ST	
12	5.035-673.0	Sliding shoe	1.000	ST	
13	5.035-674.0	Mounting plate brush-head D43 / D51	1.000	ST	
15	5.035-499.0	Deflector roll	1.000	ST	
16	5.035-498.0	Fixing deflector roll	1.000	ST	
18	5.035-415.0	Cover disk D51	1.000	ST	D51
19	5.035-695.0	Splash-proof profile D51	1.000	ST	D51
20	6.303-315.0	Screw 8 x 35	11.000	ST	
21	4.035-435.0	Lever complete BD 40	1.000	ST	
22	7.303-328.0	Screw M5x8 -St-flZn/nc480h/C (In6Rd)	4.000	ST	
23	6.373-689.0	Pipe clamp	2.000	ST	
24	6.388-559.0	Hose clip	1.000	ST	
25	5.481-370.0	Pedal lever notch	1.000	ST	
26	7.303-226.0	Countersunk screw M8x20-St-A3E DIN7500(I	4.000	ST	
27	7.343-036.0	Locking ring 14x1-FST-RF DIN 471	2.000	ST	
28	5.035-683.0	Bolt contact pressure adjustment	1.000	ST	
29	5.035-711.0	Bearing bush	2.000	ST	
30	4.035-438.0	Base plate transmission complete	1.000	ST	
31	6.330-093.0	Extension spring	1.000	ST	
32	7.306-090.0	Screw M6x16 -8.8-R3R (In6Rd)	4.000	ST	
33	7.343-167.0	Locking ring 35x1,5-FST-BR DIN 472	1.000	ST	
34	7.401-128.0	Ball bearing 6202-2RS -Wälzl.St DIN 625	1.000	ST	
35	4.035-198.0	Roller for replacement	1.000	ST	

## 10 Power brush BD

Professional \ Floor cleaner \ Walk behind \ B 40 \ Brush-head D51 Bp \ Brush-head D51 Bp \ Spare parts list brush-head D51 Bp \ Power brush BD



POS	Article no.	Description	Quantity	Unit	Remark
36	7.343-015.0	Locking ring 15x1-FST-RF DIN 471	1.000	ST	
37	5.044-897.0	Holder belt drive	1.000	ST	
38	7.343-007.0	Locking ring 20x1,2-FST-RF DIN 471	1.000	ST	
39	5.625-403.0	Toothed lock washer 125Z	1.000	ST	
40	6.388-248.0	Hose DN12,5	1.000	M	
41	4.645-332.0	HOSE CONNECTOR 1/2" / 5/8" OPP	1.000	ST	
42	6.348-383.0	Toothed belt HTD-447-3M-15 CXPIII	1.000	ST	
43	7.318-004.0	Parallel key 6x6x12 -C45R DIN 6885-1	1.000	ST	
44	5.100-379.0	Shaft belt drive 2	1.000	ST	
45	5.112-619.0	Bush for belt drive	1.000	ST	
46	5.112-616.0	Bush	2.000	ST	
47	7.401-173.0	Ball bearing 6204-2RS-WAELZLAGST DIN 625	4.000	ST	
48	6.641-463.0	Cable tape	2.000	ST	
49	7.318-031.0	Parallel key 6x6x28 -C45R DIN 6885-1	2.000	ST	
50	5.100-378.0	Shaft belt drive 1 BD 530	1.000	ST	
51	6.348-384.0	Toothed belt HTD-475-5M-40 CXPIII	1.000	ST	
52	5.625-402.0	Toothed lock washer 63Z	1.000	ST	
53	7.343-018.0	Locking ring 18x1,2-Rf-St DIN 471	1.000	ST	
54	6.610-239.0	Carbon brush set ATAS	1.000	ST	
55	4.035-465.0	Direct current motor nur fuer Ersatz	1.000	ST	BAT
56	6.613-025.0	Blower wheel	1.000	ST	BAT
57	5.122-462.0	Retainer transmission die casting	1.000	ST	
58	7.312-268.0	Washer 8 -A2 ISO 7094	1.000	ST	
59	6.304-176.0	Hexagonal head screw M8x16-A4-70 ISO 401	1.000	ST	
60	7.303-112.0	Screw 6x20 -10.9-R2R (In6Rd)	6.000	ST	
61	5.033-002.0	Retainer brush SWS	1.000	ST	
62	4.905-028.0	Disc brush complete white D51	1.000	ST	
62	4.905-029.0	Disc brush complete black D51	1.000	ST	
62	4.905-026.0	Disc brush complete red D51	1.000	ST	
62	4.905-027.0	Disc brush complete nature D51	1.000	ST	
63	4.762-534.0	Pad disk complete D51	1.000	ST	D51
64	6.388-628.0	Elbow connector 1/2"	1.000	ST	
65	7.303-096.0	Screw 4x22 -ST-10.9-R2R (IN6RD)	3.000	ST	

## 10 Power brush BD

Professional \ Floor cleaner \ Walk behind \ B 40 \ Brush-head D51 Bp \ Brush-head D51 Bp \ Spare parts list brush-head D51 Bp \ Power brush BD

POS	Article no.	Description	Quantity	Unit	Remark
66	6.906-838.0	Centerlock	1.000	ST	
67	5.114-480.0	Ring motor	1.000	ST	D51
68	6.646-329.0	Plug red 75A 12mm <sup>2</sup>	1.000	ST	BAT
69	6.643-048.0	Plug blue complete 75A 12mm <sup>2</sup>	1.000	ST	BAT
70	6.646-979.0	Switch contact 6 mm <sup>2</sup>	1.000	ST	BAT
71	6.371-146.0	Polishing pad beige 500 mm	1.000	ST	
71	6.369-468.0	Polishing pad beige	1.000	ZSA	
71	6.371-320.0	Polishing pad white D508	1.000	ST	
71	6.369-078.0	Pad green	1.000	ZSA	
71	6.369-077.0	Pad black	1.000	ZSA	
71	6.369-079.0	Pad red	1.000	ZSA	