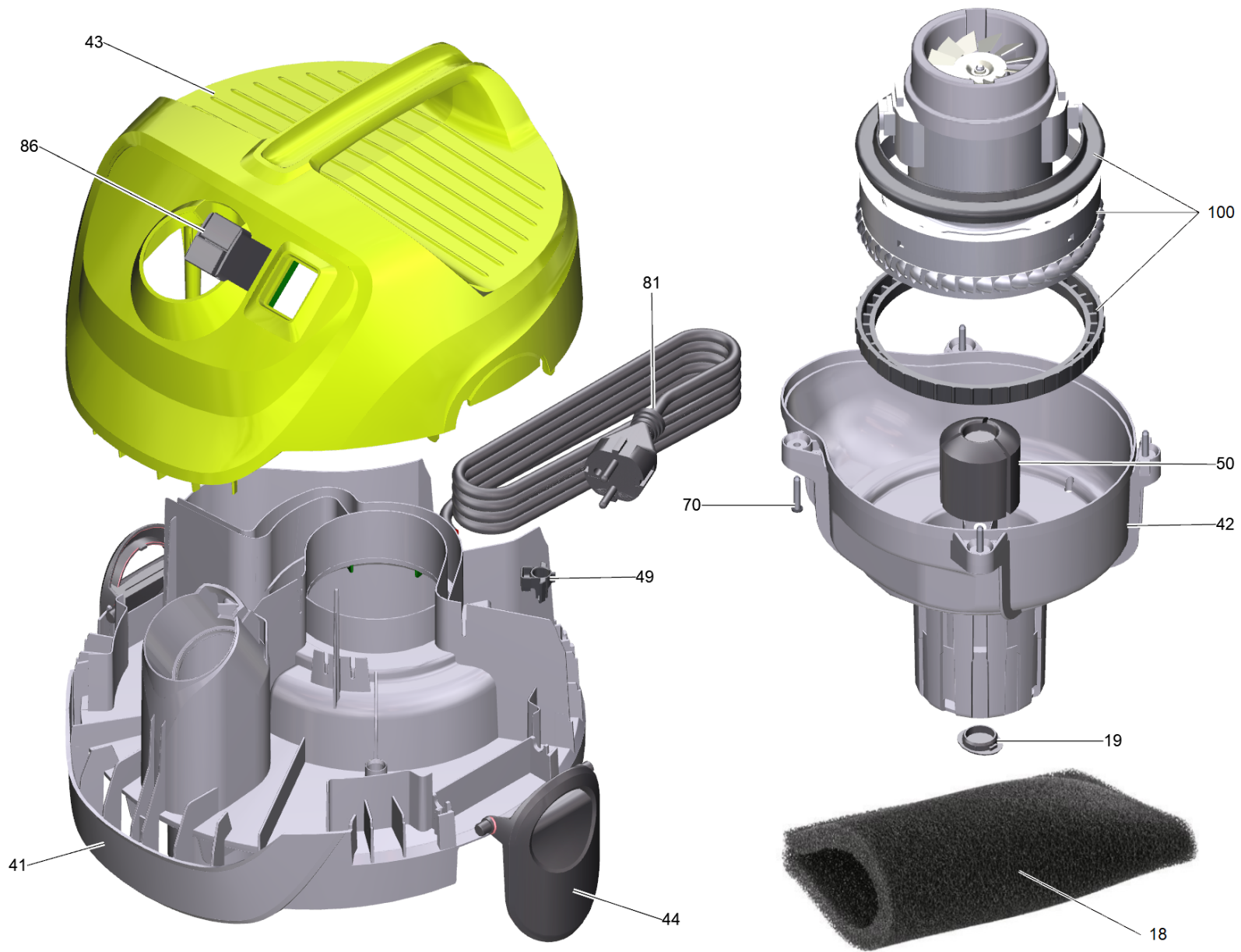


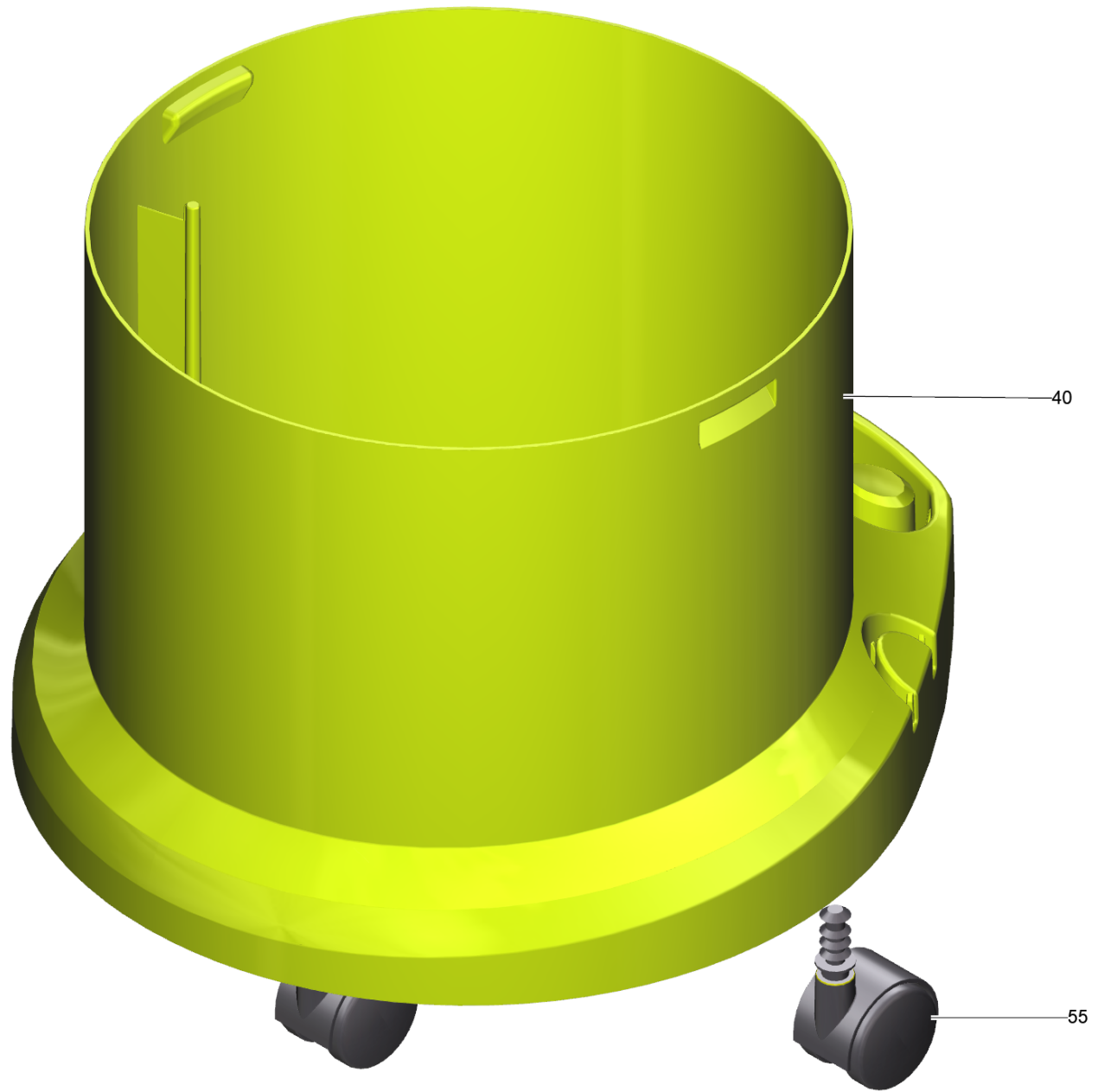
Spare parts list

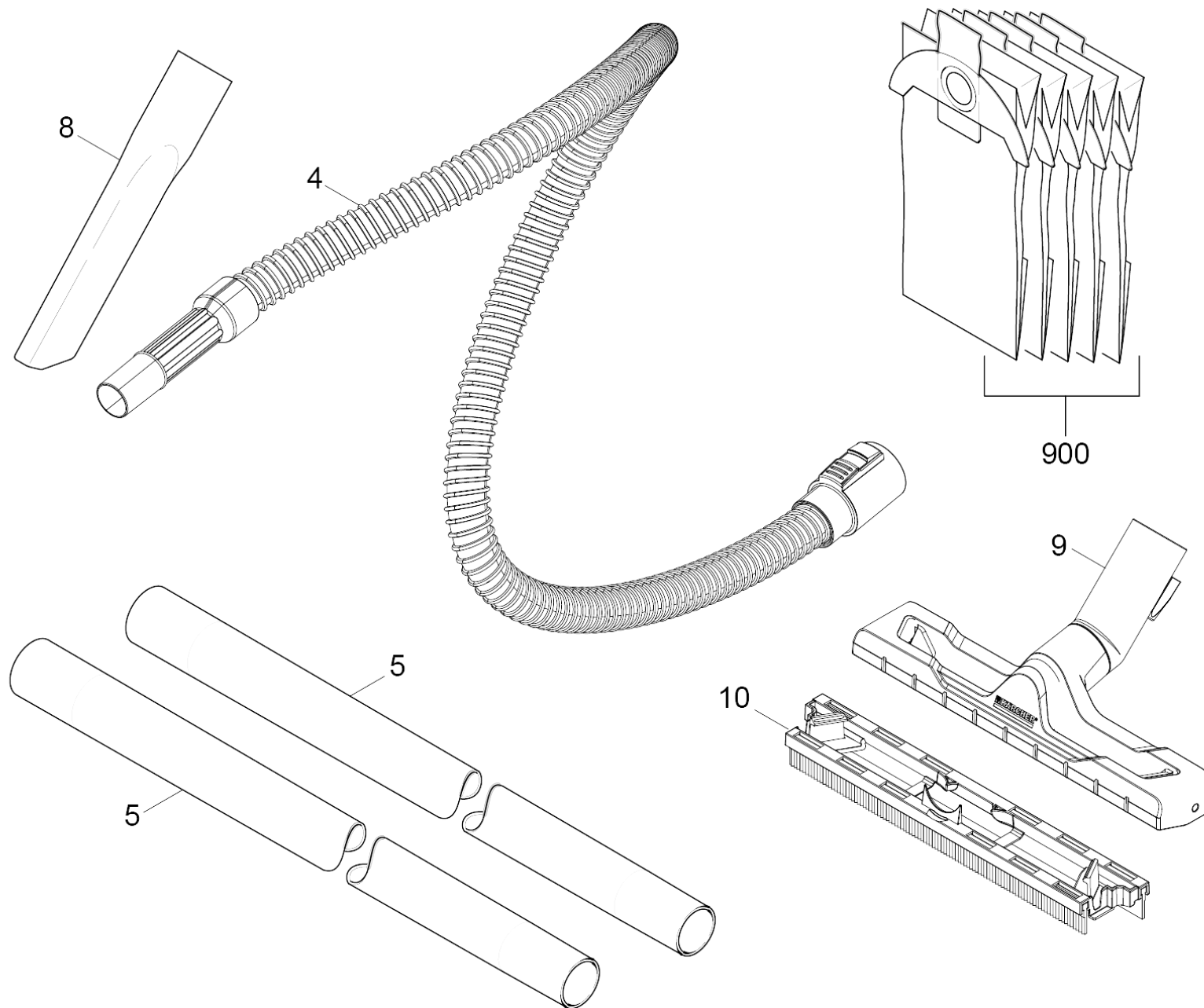
(1.629-783.0) WD 2 *EU-I

Table of contents

WD 2 *EU-I (1.629-783.0)	3
100 Vacuum motor complete for replacement Cu (4.490-000.0)	7

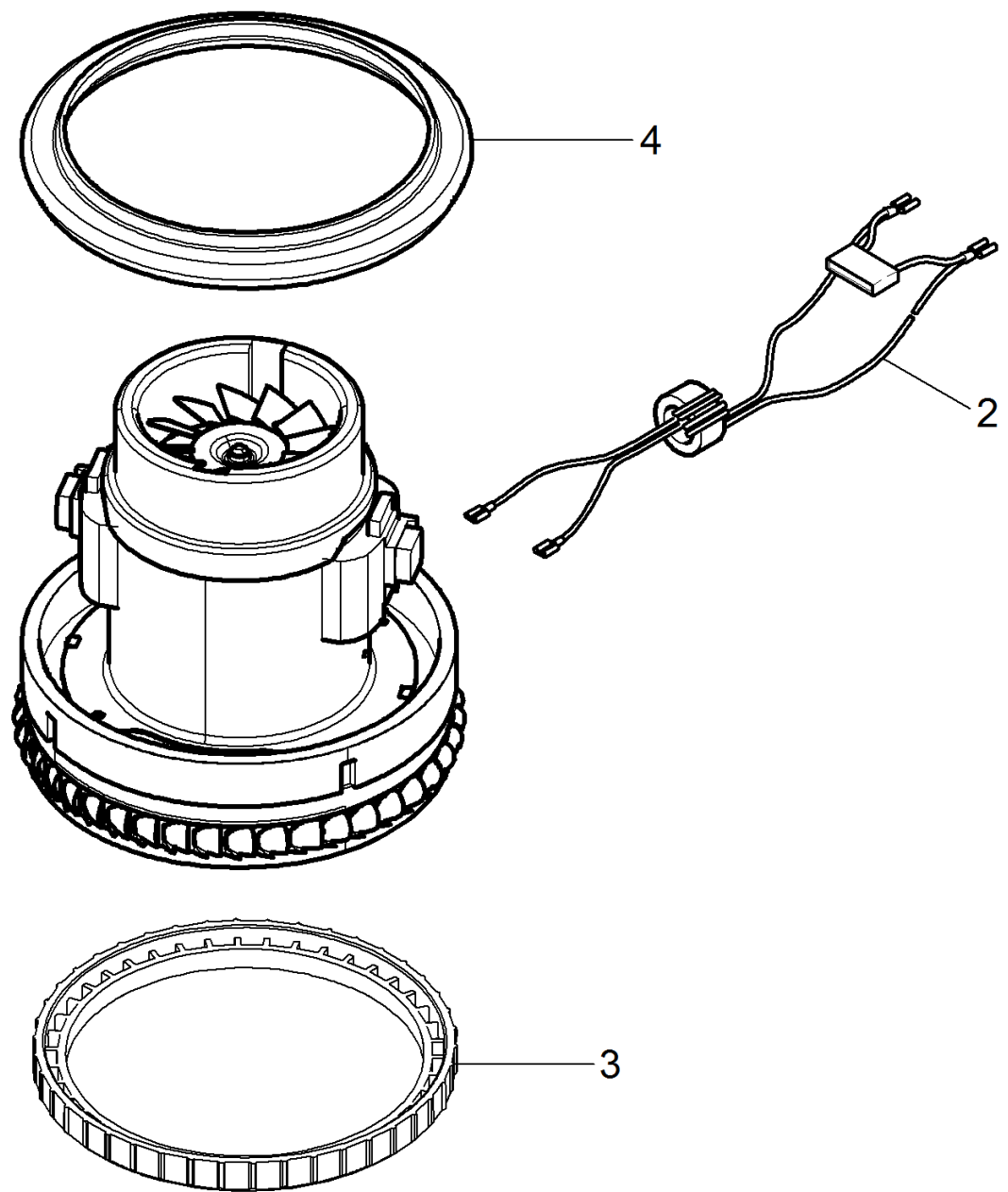






WD 2 *EU-I (1.629-783.0)

POS	Article no.	Description	Quantity	Unit
4	4.441-084.0	Suction hose complete packaged	1	PC
5	2.863-308.0	Extension suction tube WD ID 35	2	PC
8	6.900-385.0	Crevice nozzle DN35	1	PC
9	4.629-013.0	Floor tool clip packaged	1	PC
10	4.629-016.0	Mixing insert floor nozzle packaged	1	PC
18	5.731-595.0	Filter	1	PC
19	9.036-691.0	Covering cap	1	PC
40	5.070-667.0	Tank	1	PC
41	5.053-184.0	Motor bracket	1	PC
42	5.731-647.0	Filtering basket	1	PC
43	5.069-312.0	Cover neutrally WD 2 / WD 2.XXX	1	PC
44	5.075-033.0	Closure	2	PC
49	5.034-734.0	Retaining bracket	1	PC
50	5.585-054.0	Floater	1	PC
55	6.435-353.0	Castor D 42	1	PC
70	6.303-150.0	Screw 4,2x 22	4	PC
81	6.647-996.0	Cable with plug *EU Cable with plug	1	PC
86	6.630-087.0	Switch	1	PC
100	4.490-000.0	Vacuum motor complete for replacement Cu	1	PC
900	6.904-322.0	Filter bag WD 5pc.	1	PC



100 Vacuum motor complete for replacement Cu (4.490-000.0)

POS	Article no.	Description	Quantity	Unit
2	4.649-087.0	Cable ferrite ring complete DNA	1	PC
3	5.365-324.0	Bearing motor height compensation	1	PC
4	9.079-024.0	Seal motor above	1	PC