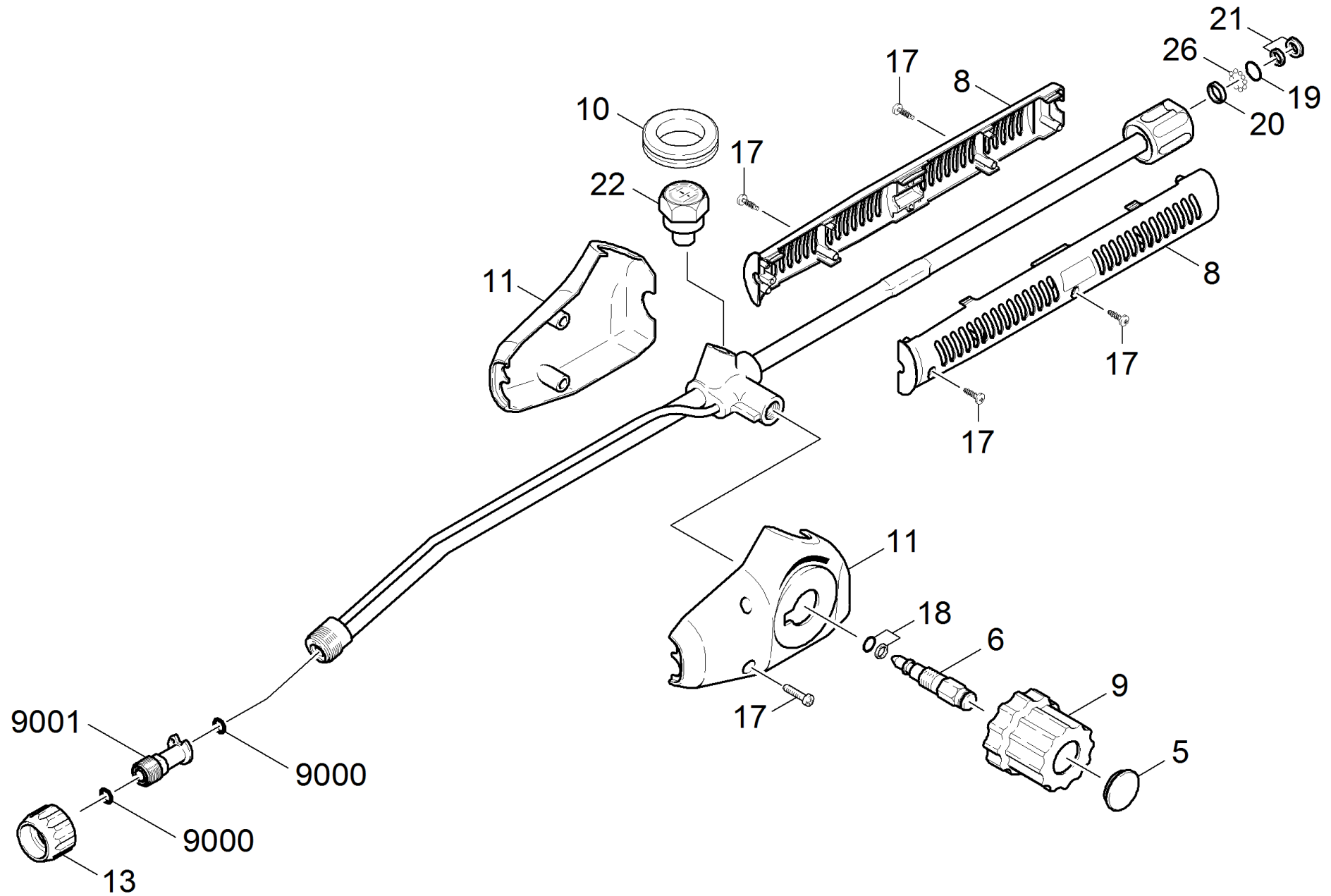


# 151 Double jet pipe (4.760-230.0)

Professional \ Industrial cleaning systems \ High pressure cleaner stationary \ HD 4000 E \ Documentation HD4000E \ Spare parts list HD 4000E/4000C \ Jet pipe RM \ Double jet pipe



## 151 Double jet pipe (4.760-230.0)

Professional \ Industrial cleaning systems \ High pressure cleaner stationary \ HD 4000 E \ Documentation HD4000E \ Spare parts list HD 4000E/4000C \ Jet pipe RM \ Double jet pipe

**KÄRCHER**

| POS  | Article no. | Description                         | Quantity | Unit |
|------|-------------|-------------------------------------|----------|------|
| 5    | 5.132-010.0 | Plug                                | 1.000    | ST   |
| 6    | 5.291-047.0 | Spindle                             | 1.000    | ST   |
| 8    | 5.321-150.0 | HANDLE (PART NO=ONE HALF)           | 2.000    | ST   |
| 9    | 5.321-321.0 | Handhold                            | 1.000    | ST   |
| 10   | 6.641-640.0 | Wire protecting sleeve D21          | 1.000    | ST   |
| 11   | 5.394-273.0 | Protection part pair                | 1.000    | ST   |
| 13   | 5.401-153.0 | Screw connector part                | 1.000    | ST   |
| 17   | 6.303-199.0 | Oval head screw 4,2x 16             | 4.000    | ST   |
| 18   | 6.363-037.0 | O-Ring seal complete 1ST.-R.        | 1.000    | ST   |
| 19   | 6.362-524.0 | O-Ring seal 17,0 X 1,5              | 1.000    | ST   |
| 20   | 6.362-529.0 | Joint ring 12x1,5                   | 1.000    | ST   |
| 21   | 4.363-692.0 | Grooved ring kpl. -nur fuer Ersatz- | 1.000    | ST   |
| 22   | 6.421-143.0 | Pressure gauge 0-250BAR             | 1.000    | ST   |
| 26   | 7.401-921.0 | Sphere 4 G20 -1.4034 DIN 5401       | 12.000   | ST   |
| 9000 | 2.880-990.0 | Spare part set O-Ring 5x -Kaercher  | 1.000    | ST   |
| 9001 | 4.762-075.0 | Adapter                             | 1.000    | ST   |