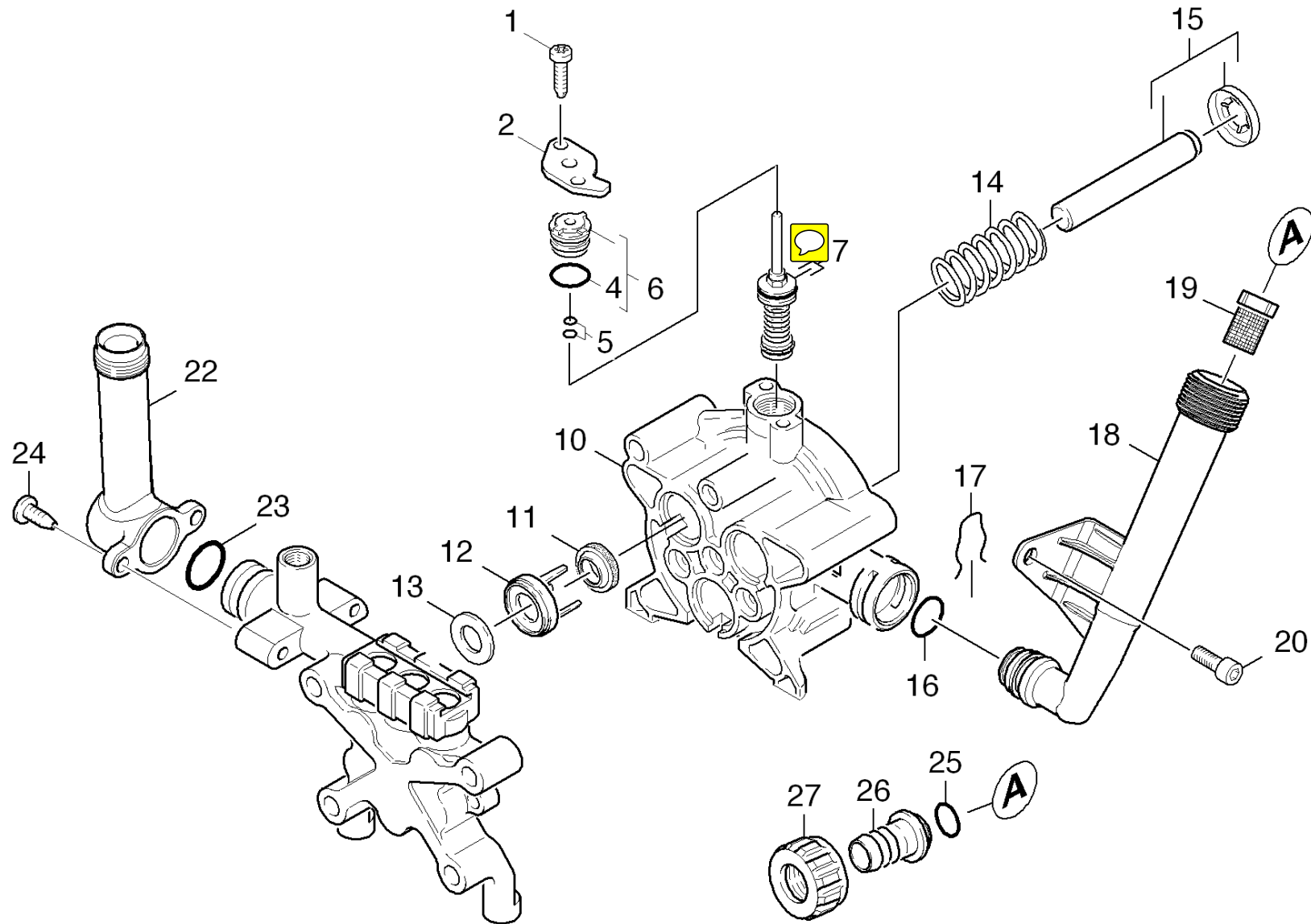


22 Thrust guidance

Overview technical documents/Professional/High pressure cleaner cold water/Electric motor/HD 5/11 C Plus *EU (1.520-103.0)/Spare parts list HD 5/11/20 Pump set/22 Thrust guidance



22 Thrust guidance

Overview technical documents/Professional/High pressure cleaner cold water/Electric motor/HD 5/11 C Plus *EU (1.520-103.0)/Spare parts list HD 5/11/20 Pump set/22 Thrust guidance

Rez.daļas/nodil.pakļ.daļas	Poz.	Materiāla Nr.	Nosaukums	Daudzums	Pārdoš. vienība	no sēr. Nr..	līdz sēr. Nr.
	1	7.303-048.0	Screw M6x20 -St-R3R (In6Rd)	2.000	ST	0000000000	0000000000
	2	5.064-127.0	Cover	1.000	ST	0000000000	0000000000
X-X	4	6.362-169.0	Gredzenblīve 12,0 X 2,0	1.000	ST	0000000000	0000000000
X	5	6.362-852.0	Gredzenblīve, pilns komplekts 3,69	1.000	ST	0000000000	0000000000
	6	4.030-069.0	Moulded part complete only for replaceme	1.000	ST	0000000000	0000000000
X-X	7	4.580-325.0	Excess-current complete	1.000	ST	0000000000	0000000000
X-X	10	5.061-012.0	Virzuļa vadotne	1.000	ST	0000000000	0000000000
X-X	11	6.365-393.0	Gredzens ar rievu 12x20x4/6	3.000	ST	0000000000	0000000000
X-X	12	5.116-062.0	Paplāksne	3.000	ST	0000000000	0000000000
X-X	13	5.115-721.0	Paplāksne	3.000	ST	0000000000	0000000000
X-X	14	5.332-391.0	Piespiedējatspere	3.000	ST	0000000000	0000000000
X-X	15	4.553-234.0	Piston	3.000	ST	0000000000	0000000000
	16	6.363-038.0	Gredzenblīve 13X3 NBR 70	1.000	ST	0000000000	0000000000
	17	5.048-915.0	Spaile	1.000	ST	0000000000	0000000000
X-X	18	5.128-762.0	Ūdens ieplūdes caurule	1.000	ST	0000000000	0000000000
X-X	19	6.414-252.0	Sieta filtrs	1.000	ST	0000000000	0000000000
X	20	7.306-180.0	Screw M5x10-A2-70 (In6Rd)	1.000	ST	0000000000	0000000000
X	22	5.427-325.0	Augstspiediena cauruļvads	1.000	ST	0000000000	0000000000
X-X	23	6.362-580.0	Gredzenblīve 17,0 X 2,0-NBR 70	1.000	ST	0000000000	0000000000
	24	7.306-092.0	Screw	2.000	ST	0000000000	0000000000
X-X	25	6.362-078.0	Gredzenblīve 13,3x2,4	1.000	ST	0000000000	0000000000
	26	5.443-229.0	Hose stem	1.000	ST	0000000000	0000000000
	27	5.310-065.0	Nut	1.000	ST	0000000000	0000000000