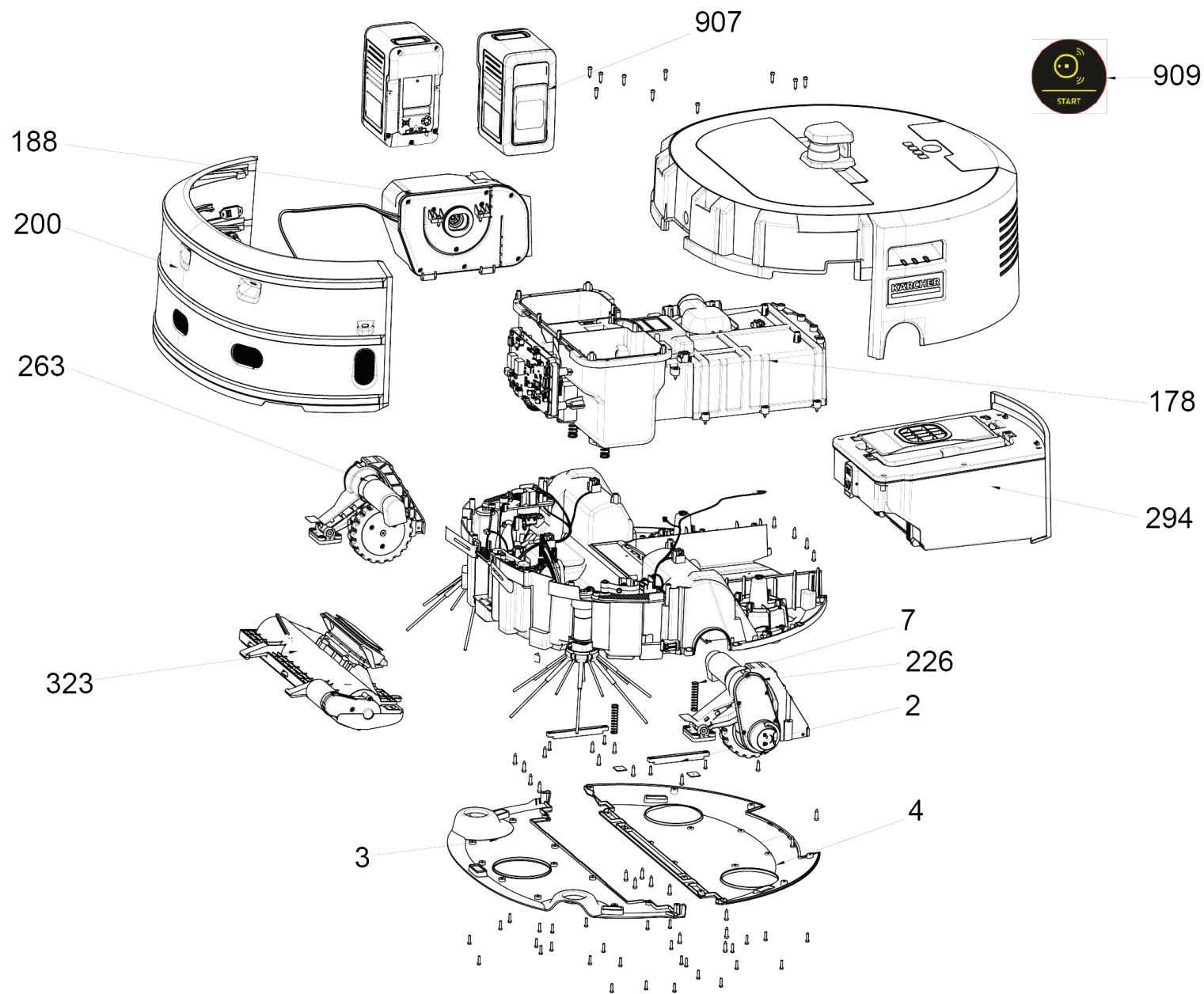


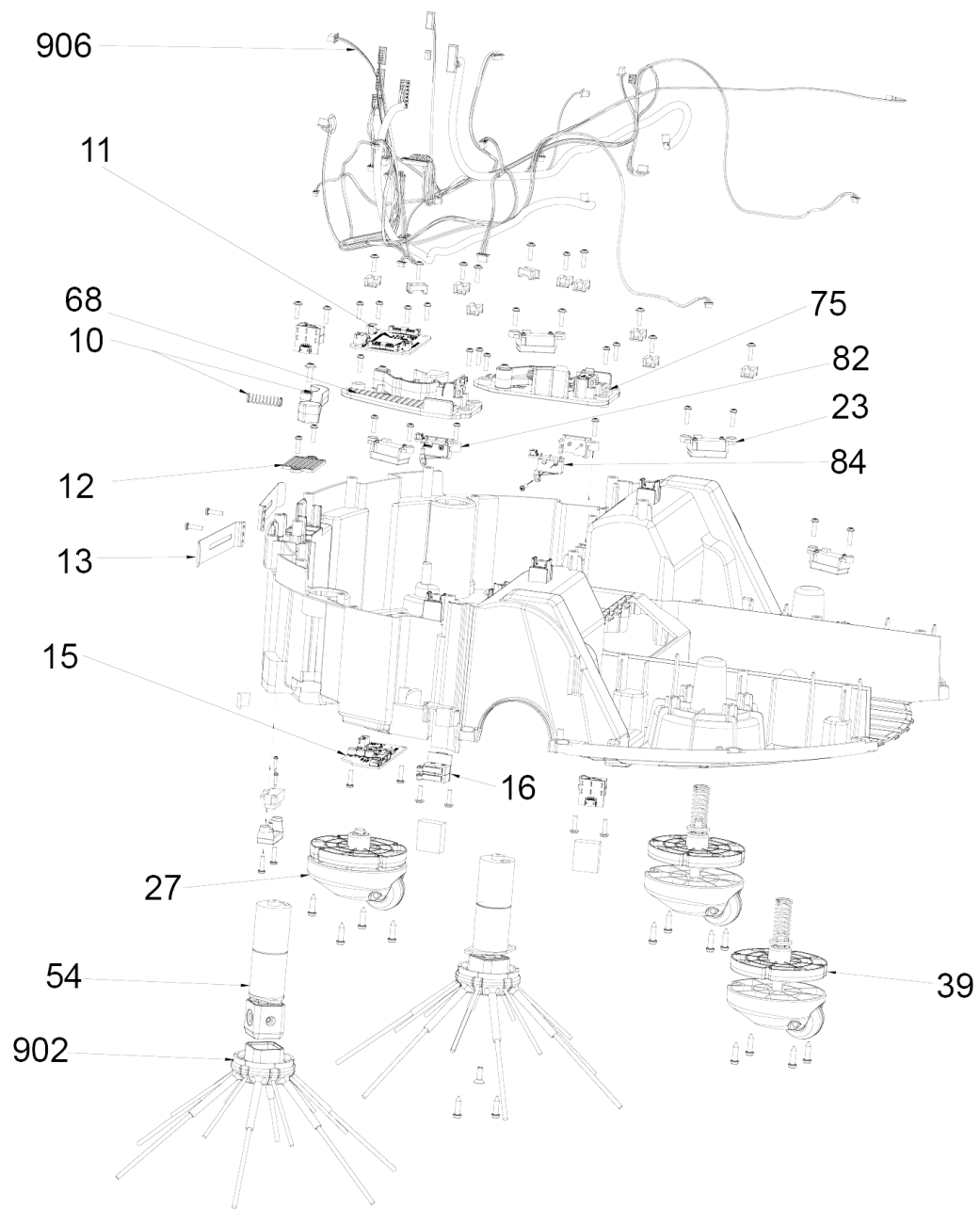
Spare parts list

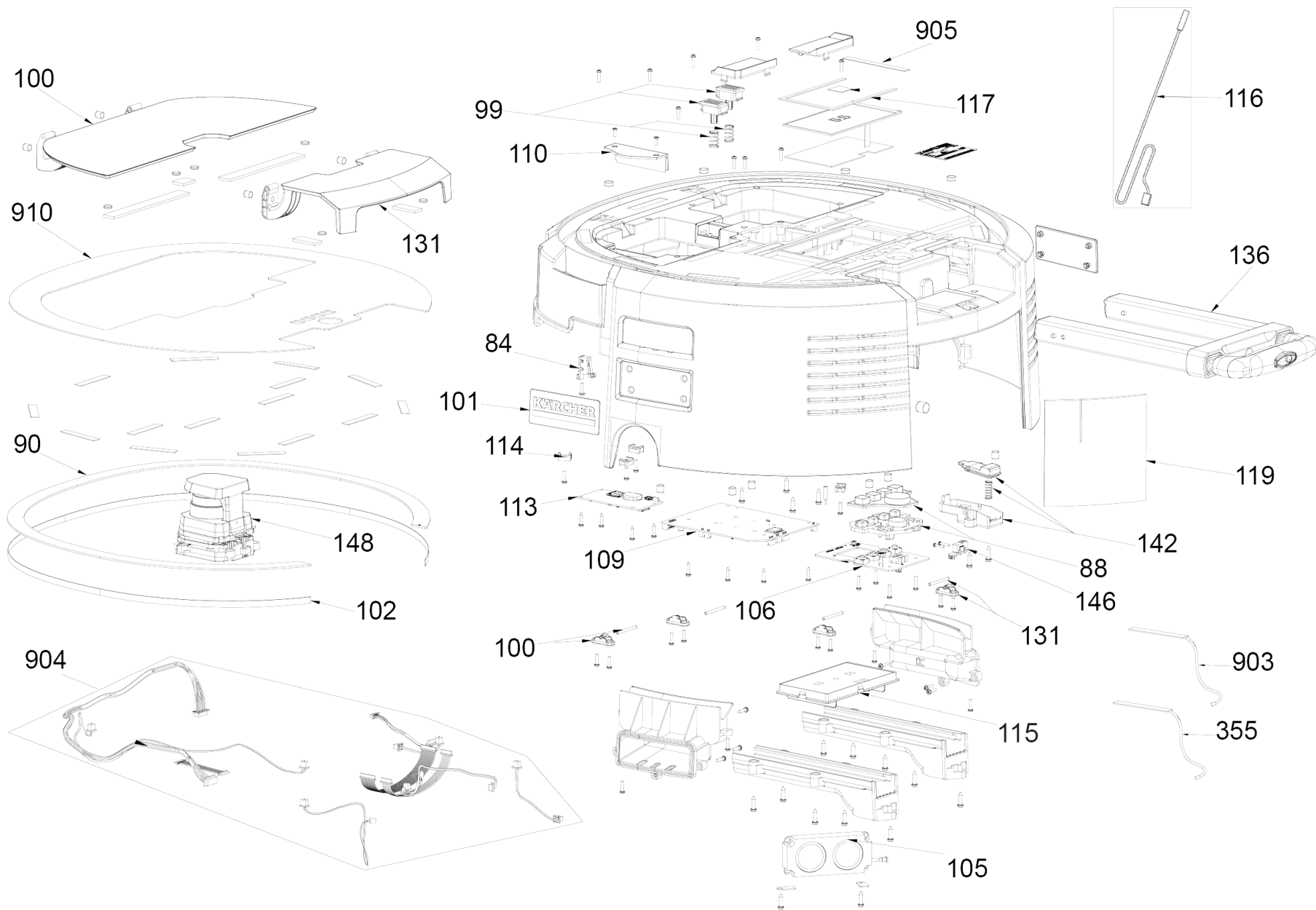
(1.454-500.0) KIRA CV 50 Bp *INT

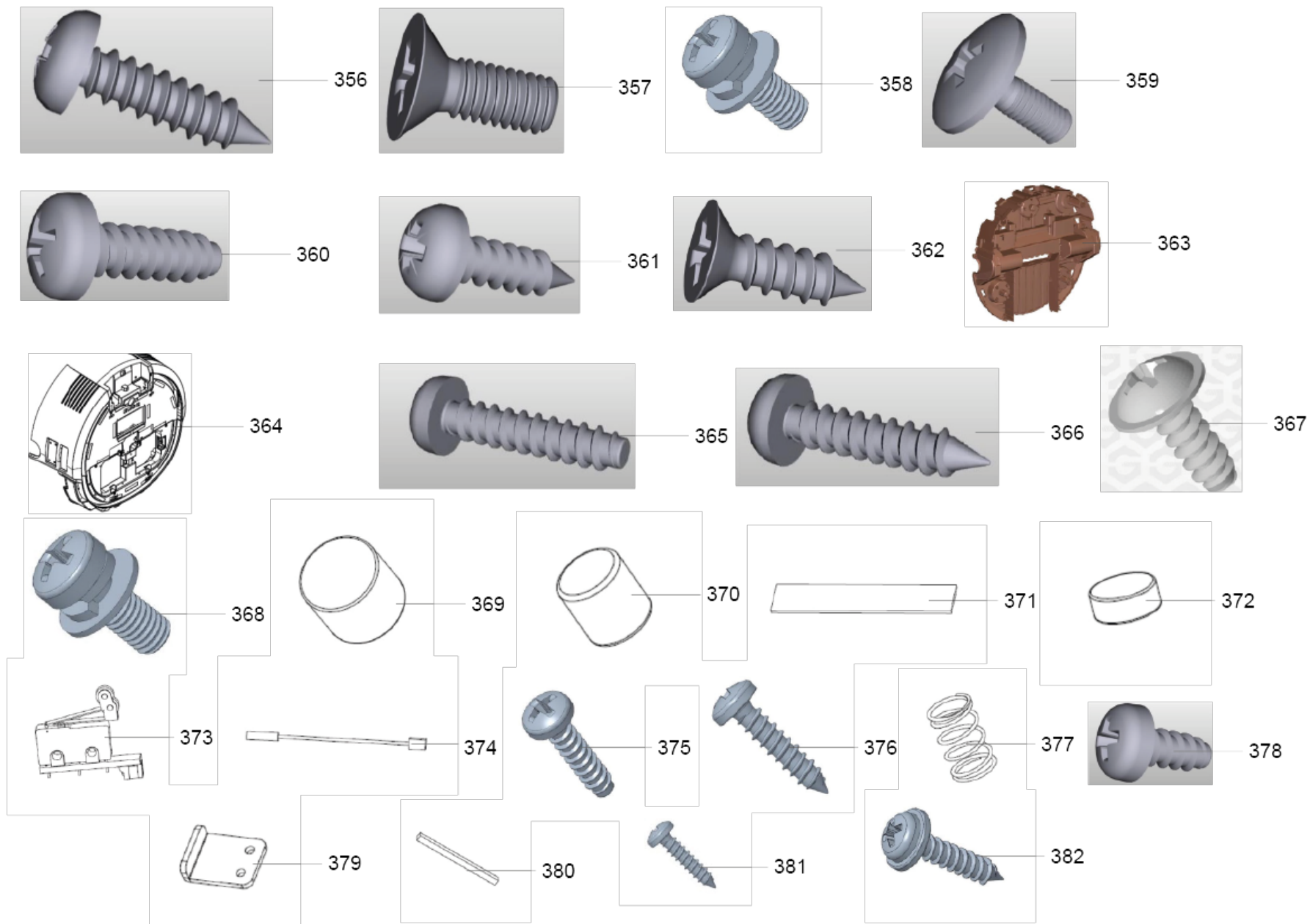
Table of contents

KIRA CV 50 Bp *INT (1.454-500.0)	3
39 Set wheel (6.101-372.0)	10
178 Frame center	12
188 Set covering cap turbine (6.101-410.0)	14
200 Front frame for replacement (6.101-414.0)	16
226 Set gear left (6.101-422.0)	18
263 Set gear right (6.101-425.0)	20
294 Dust box for replacement (6.101-426.0)	22
323 Set housing brush roll (6.101-433.0)	24









KIRA CV 50 Bp *INT (1.454-500.0)

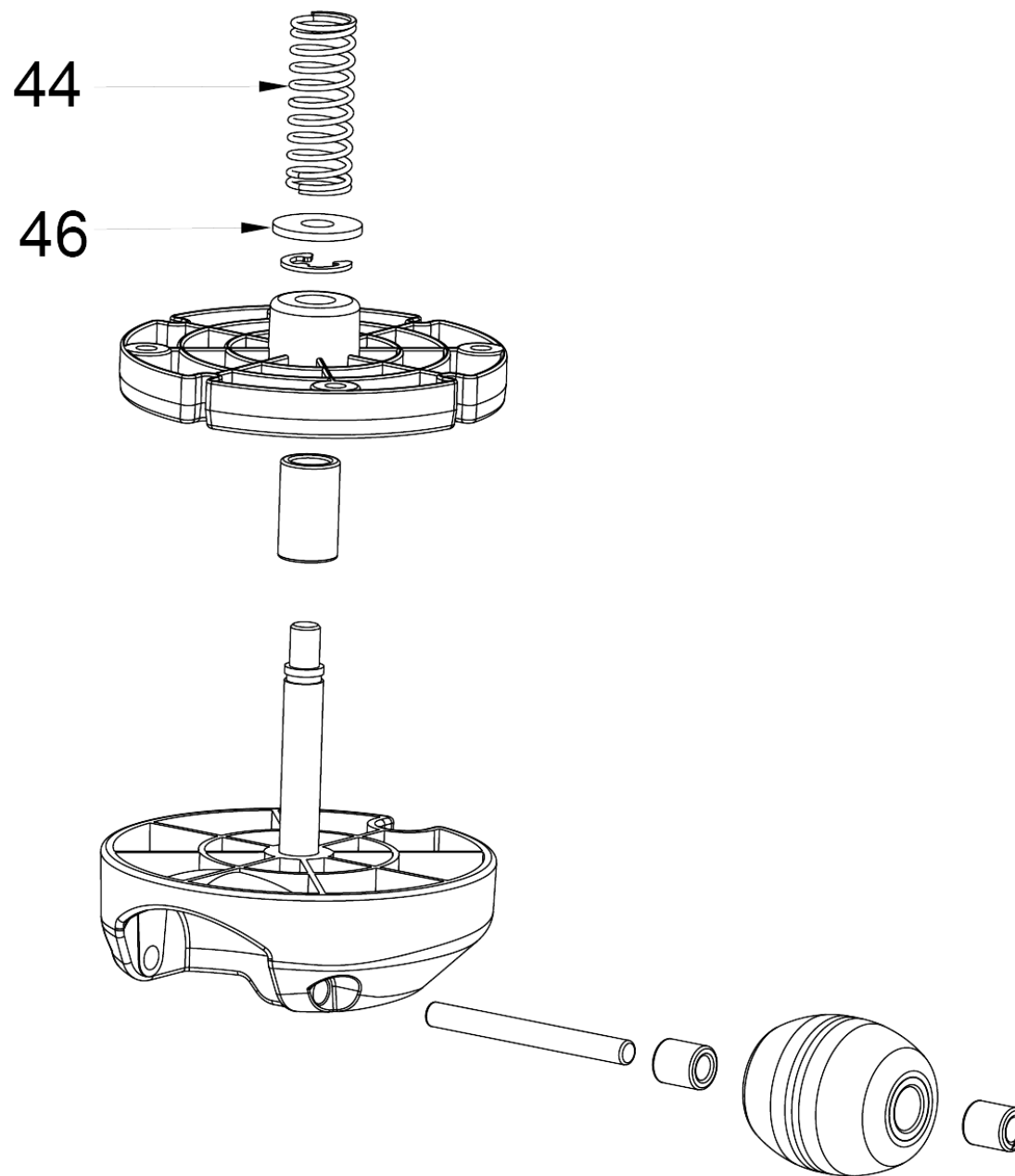
POS	Article no.	Description	Quantity	Unit
905	6.101-441.0	Adhesiv tape black	1	PC
371	6.101-473.0	Adhesiv tape double-sided for replacement	1	PC
379	6.101-481.0	Angle set	1	PC
903	6.101-439.0	Antenna LTE	1	PC
355	6.101-438.0	Antenna Wifi	1	PC
363	6.101-464.0	Base for replacement	1	PC
907	2.445-043.0	Battery Power+ 36/75 *INT	1	PC
23	6.101-420.0	Bracket bottom for replacement TOF	1	PC
99	6.101-385.0	Button release for replacement	1	PC
2	6.101-444.0	Connection block for replacement	2	PC
364	6.101-465.0	Cover for replacement	1	PC
110	6.101-449.0	Covering cap for replacement	1	PC
3	6.101-445.0	Covering cap front for replacement	1	PC
4	6.101-446.0	Covering cap rear for replacement	1	PC
910	6.101-383.0	Cover plate above for replacement	1	PC
90	6.101-448.0	Diffusor light for replacement	1	PC
294	6.101-426.0	Dust box for replacement	1	PC
113	6.101-391.0	Electronics for replacement IOT	1	PC
109	6.101-390.0	Electronics for replacement LGB PCB	1	PC
15	6.101-368.0	Electronics for replacement PCB	1	PC
106	6.101-389.0	Electronics for replacement PCB	1	PC
11	6.101-366.0	Electronics for replacement SCB	1	PC
119	6.101-395.0	Foamed material loudspeaker for replacement	1	PC
178		Frame center	1	PC
200	6.101-414.0	Front frame for replacement	1	PC
27	6.101-371.0	Front wheel universal for replacement CV 50 Front universal wheelassembly	1	PC
101	5.385-552.3	Label logo clipped L Pr	1	PC
105	6.101-388.0	Loudspeaker for replacement	1	PC
372	6.101-474.0	Magnet	1	PC
369	6.101-471.0	Magnet set	1	PC
370	6.101-472.0	Magnet set	1	PC
16	6.101-369.0	microswitch double for replacement	1	PC
82	6.101-380.0	microswitch drive wheel for replacement	1	PC

KIRA CV 50 Bp *INT (1.454-500.0)

POS	Article no.	Description	Quantity	Unit
84	6.101-381.0	microswitch for replacement	1	PC
146	6.101-400.0	microswitch for replacement	1	PC
54	6.101-375.0	Motor side brush for replacement	1	PC
12	6.101-447.0	Protective cover for replacement	1	PC
374	6.101-476.0	Reed switch for replacement 50mm	1	PC
116	6.101-393.0	Reed switch for replacement 300mm	1	PC
13	6.101-367.0	Retaining bracket for replacement CV 50 Collision fragment	1	PC
142	6.101-399.0	Rods protection for replacement	1	PC
368	6.101-470.0	Screws set M3x8	1	PC
358	6.101-459.0	Screws set M3X10	1	PC
359	6.101-460.0	Screws set M4X8	1	PC
357	6.101-458.0	Screws set M4X10	1	PC
362	6.101-463.0	Screws set ST2D9X9	1	PC
381	6.101-484.0	Screws set ST2X10	1	PC
378	6.101-480.0	Screws set ST3X6	1	PC
361	6.101-462.0	Screws set ST3X10	1	PC
365	6.101-467.0	Screws set ST3X12	1	PC
366	6.101-468.0	Screws set ST3X12	1	PC
382	6.101-487.0	Screws set ST3X12	1	PC
375	6.101-477.0	Screws set ST3x14	1	PC
376	6.101-478.0	Screws set ST3x14	1	PC
360	6.101-461.0	Screws set ST4X12	1	PC
367	6.101-469.0	Screws set ST4X12	1	PC
356	6.101-457.0	Screws set ST4X16	1	PC
117	6.101-394.0	Sealing display for replacement	1	PC
10	6.101-365.0	Set bracket	1	PC
904	6.101-440.0	Set cable	1	PC
188	6.101-410.0	Set covering cap turbine	1	PC
115	6.101-384.0	Set display	1	PC
131	6.101-397.0	Set flap	1	PC
100	6.101-396.0	Set flap battery	1	PC
226	6.101-422.0	Set gear left	1	PC
263	6.101-425.0	Set gear right	1	PC

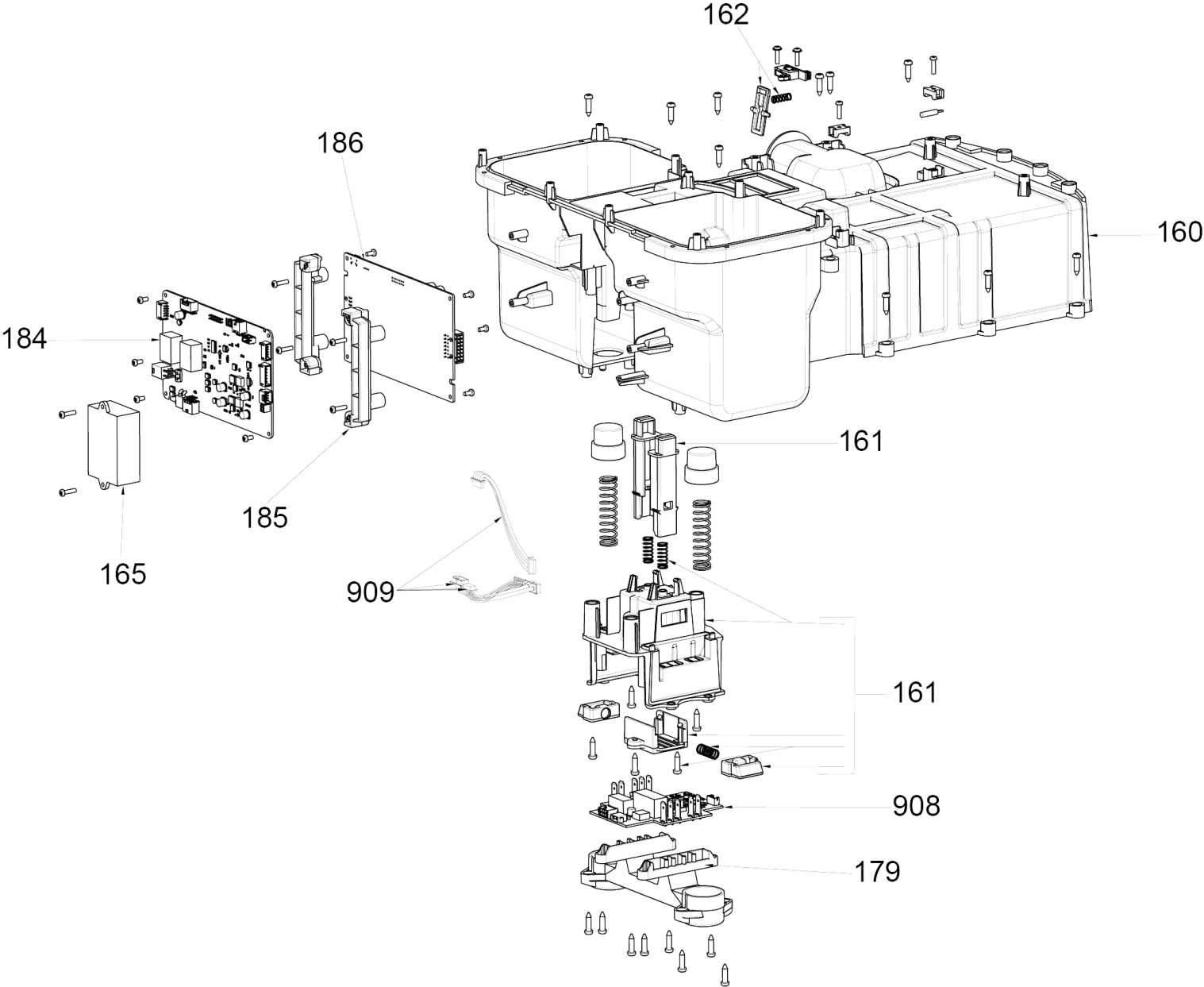
KIRA CV 50 Bp *INT (1.454-500.0)

POS	Article no.	Description	Quantity	Unit
88	6.101-382.0	Set holder	1	PC
114	6.101-392.0	Set holder cable tie	1	PC
323	6.101-433.0	Set housing brush roll	1	PC
148	6.101-401.0	Set Lidar	1	PC
373	6.101-475.0	Set micro switch	1	PC
68	6.101-377.0	Set protection frame left	1	PC
75	6.101-379.0	Set protection frame right	1	PC
136	6.101-443.0	Set trolley	1	PC
39	6.101-372.0	Set wheel	1	PC
902	2.889-428.0	Side brush KIRA CV 50	1	PC
380	6.101-482.0	Sponge dustproof	1	PC
7	6.101-364.0	Spring for replacement	1	PC
377	6.101-479.0	Spring set	1	PC
909	2.889-431.0	Start area sticker KIRA CV 50	8	PC
102	6.101-387.0	Strip light for replacement	1	PC
906	6.101-442.0	Wiring loom for replacement	1	PC



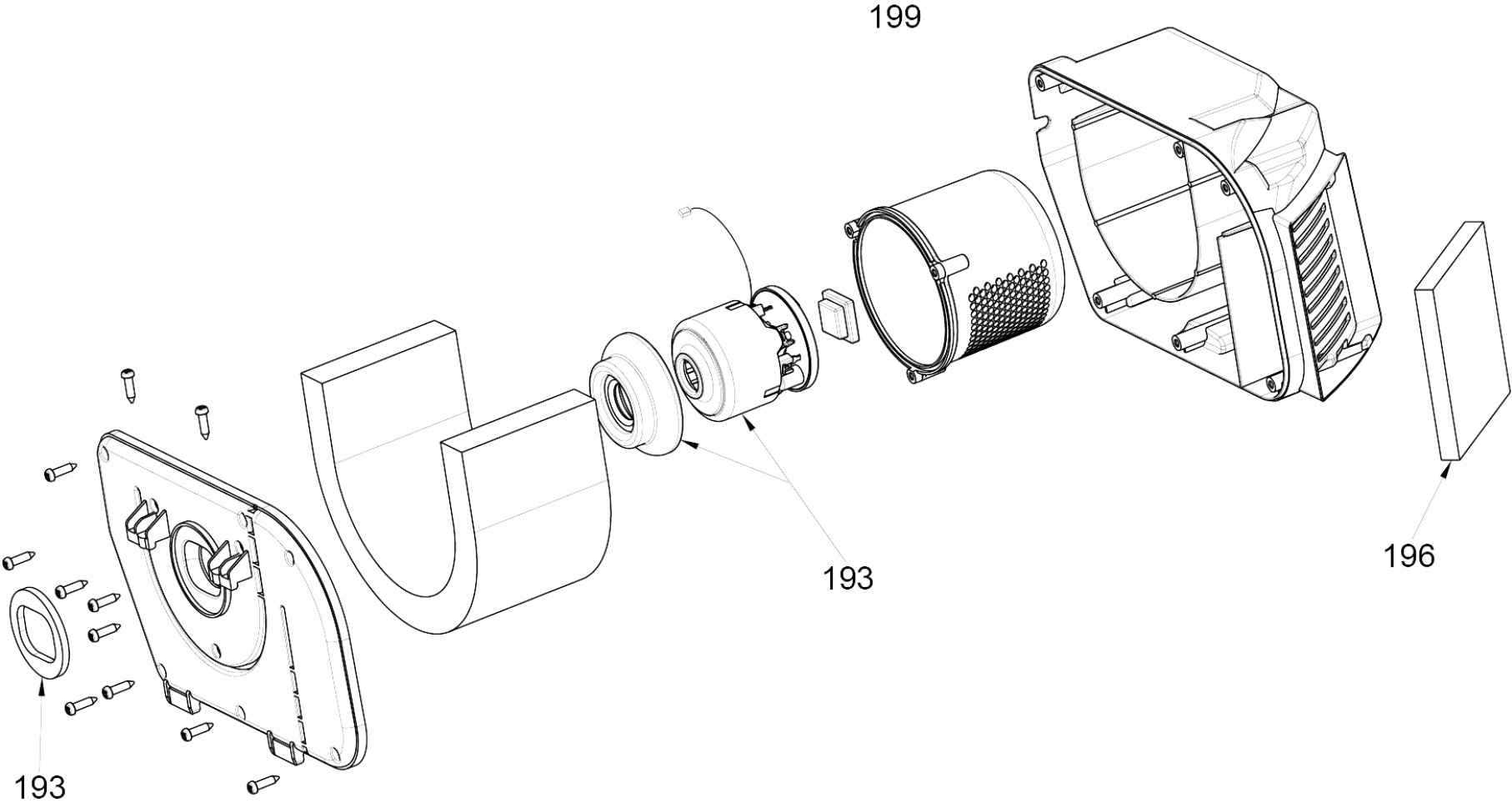
39 Set wheel (6.101-372.0)

POS	Article no.	Description	Quantity	Unit
44	6.101-373.0	Spring for replacement	1	PC
46	6.101-374.0	Washer for replacement	1	PC



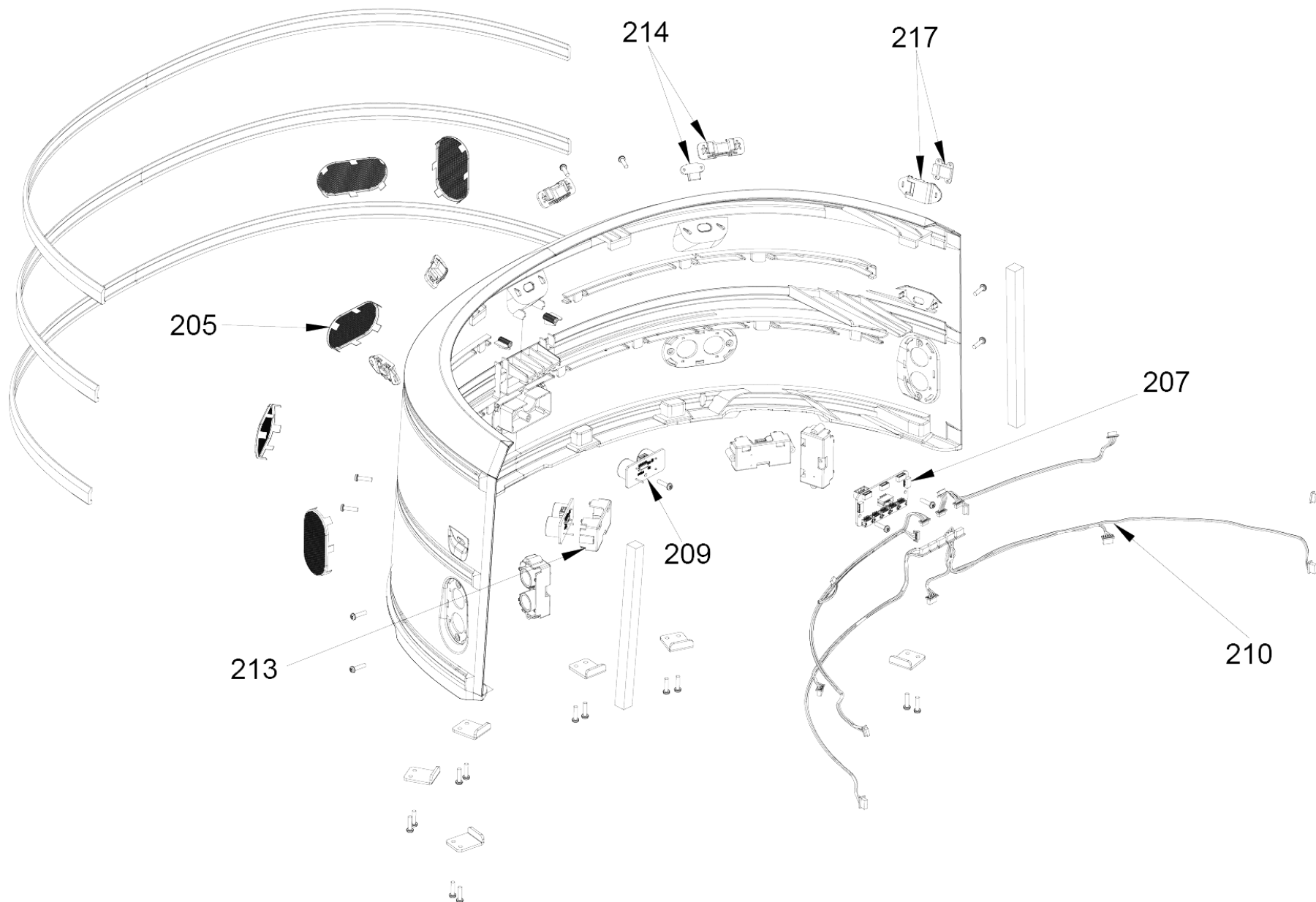
178 Frame center

POS	Article no.	Description	Quantity	Unit
184	6.101-408.0	Electronics for replacement CR PWB	1	PC
186	6.101-409.0	Electronics for replacement MDB	1	PC
908	6.101-405.0	Electronics for replacement POWER PINK	1	PC
160	6.101-450.0	Frame center for replacement	1	PC
185	6.101-451.0	Holder for replacement	2	PC
162	6.101-403.0	Set bracket	1	PC
909	6.101-406.0	Set cable	1	PC
161	6.101-402.0	Set pushbutton battery	1	PC
179	6.101-407.0	Set trigger battery	1	PC
165	6.101-404.0	Transformer for replacement	1	PC



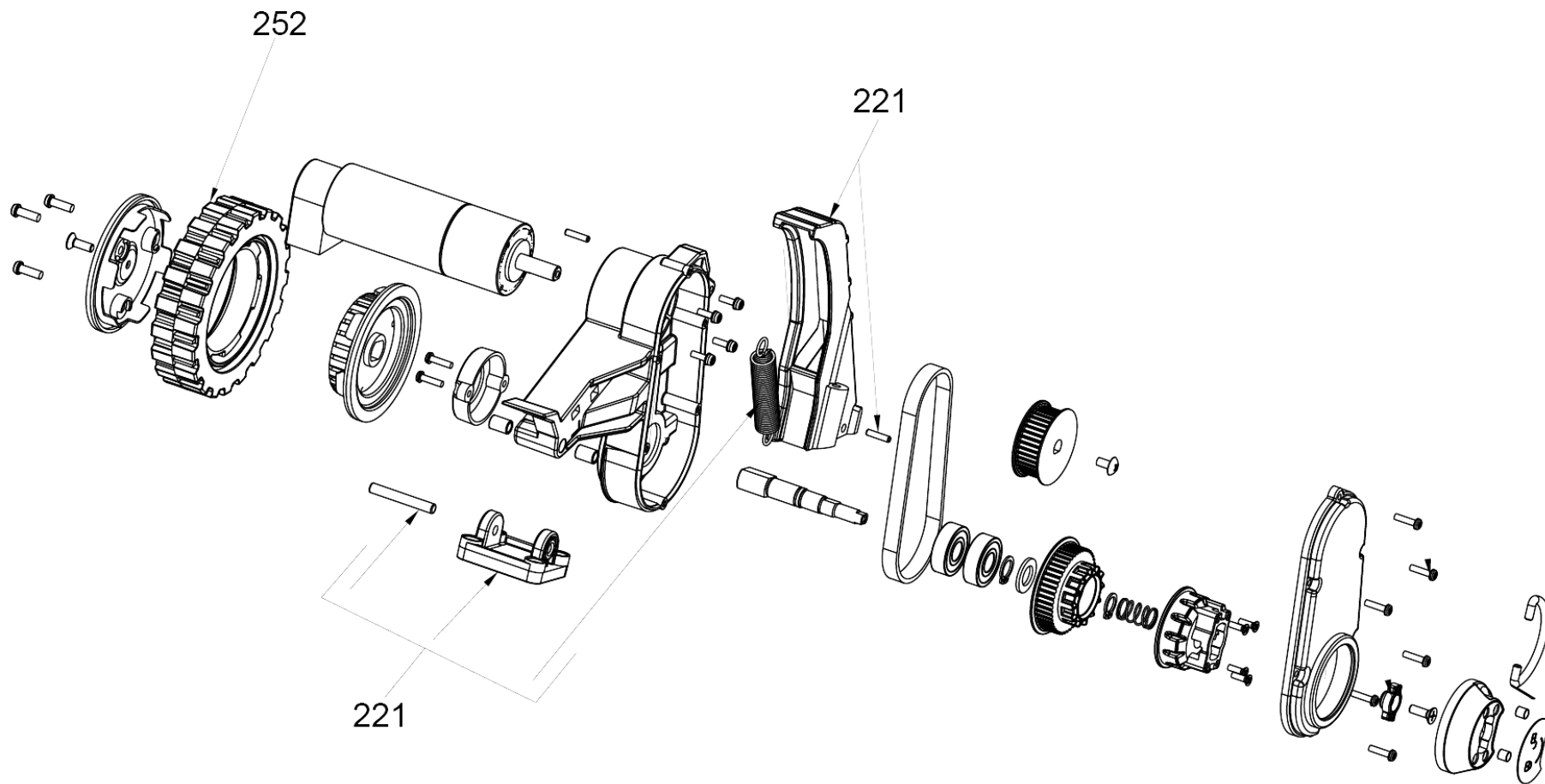
188 Set covering cap turbine (6.101-410.0)

POS	Article no.	Description	Quantity	Unit
196	6.101-412.0	Filter for replacement	1	PC
193	6.101-411.0	Set vacuum motor	1	PC



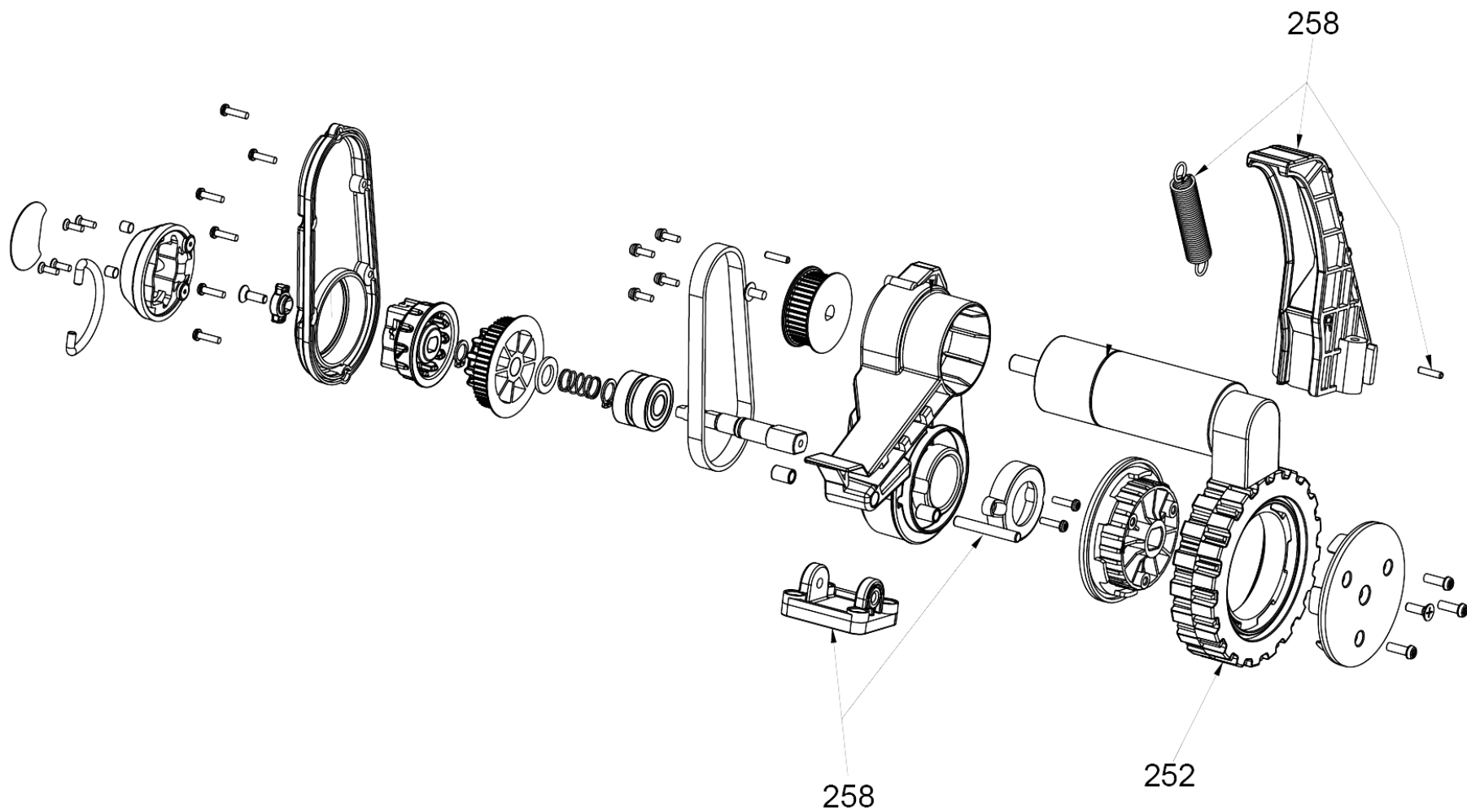
200 Front frame for replacement (6.101-414.0)

POS	Article no.	Description	Quantity	Unit
207	6.101-416.0	Electronics for replacement SCB	1	PC
209	6.101-417.0	Electronics sensor for replacement	1	PC
205	6.101-415.0	Grate for replacement	1	PC
213	6.101-452.0	Holder sensor for replacement	1	PC
214	6.101-419.0	Plate for replacement	1	PC
217	6.101-370.0	Plate for replacement	1	PC
210	6.101-418.0	Set cable for replacement	1	PC



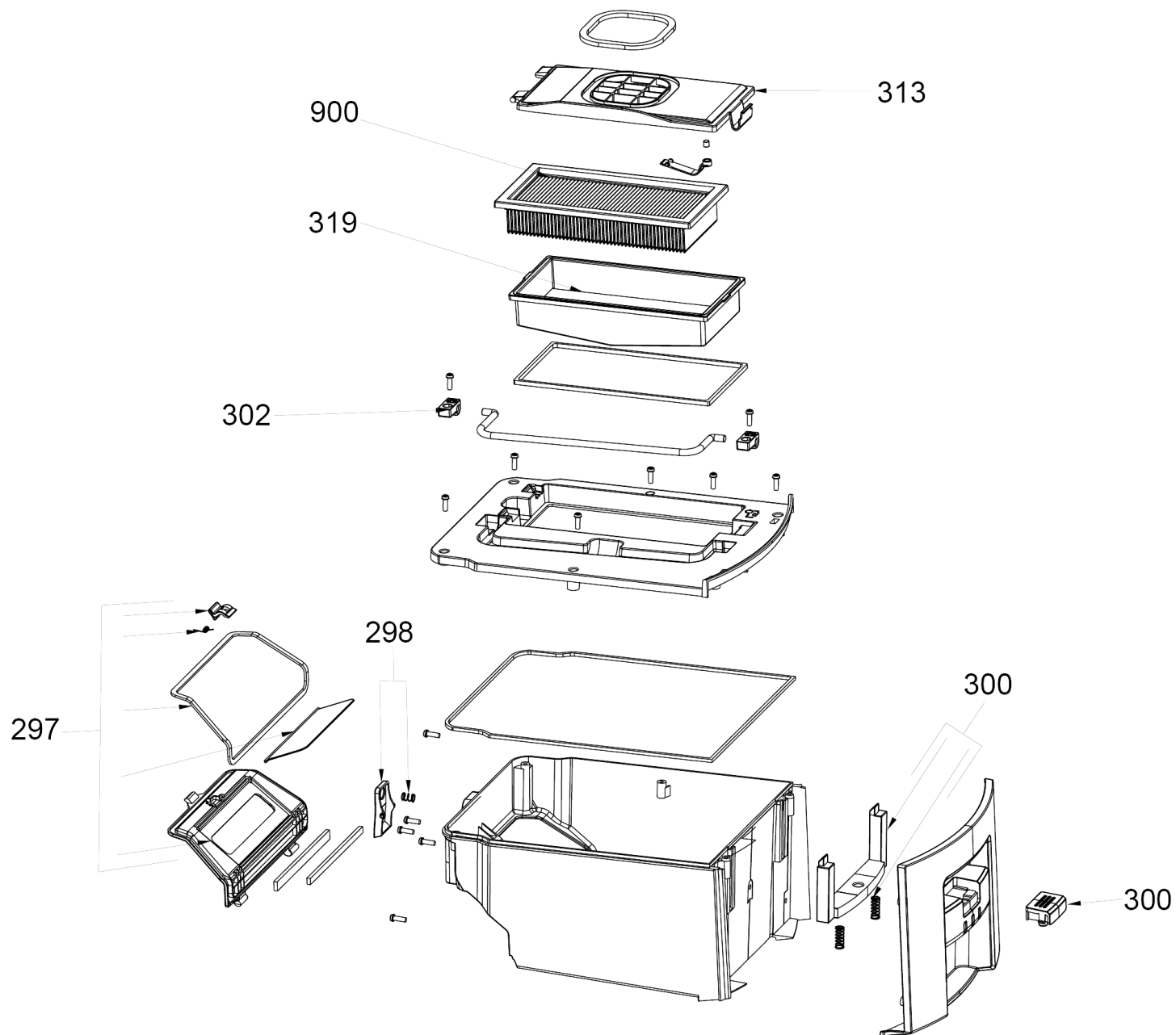
226 Set gear left (6.101-422.0)

POS	Article no.	Description	Quantity	Unit
252	6.101-423.0	Drive Gear for replacement	1	PC
221	6.101-421.0	Set driveshaft	1	PC



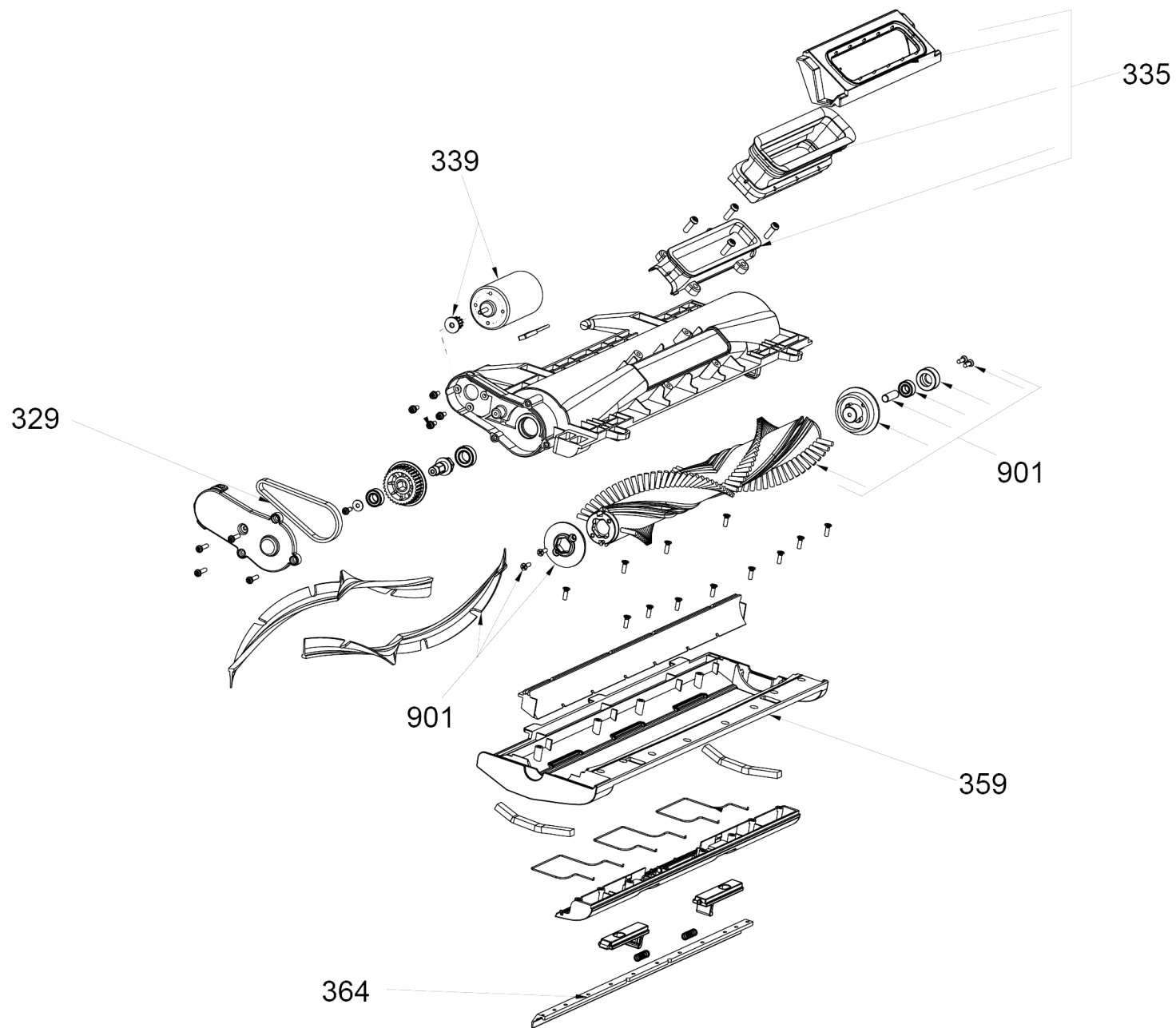
263 Set gear right (6.101-425.0)

POS	Article no.	Description	Quantity	Unit
252	6.101-423.0	Drive Gear for replacement	1	PC
258	6.101-424.0	Set driveshaft	1	PC



294 Dust box for replacement (6.101-426.0)

POS	Article no.	Description	Quantity	Unit
900	2.889-425.0	Accessories filter HEPA H13	1	PC
313	6.101-431.0	Cover plate filter for replacement	1	PC
302	6.101-430.0	Fixing handhold for replacement	1	PC
319	6.101-432.0	Housing filter for replacement	1	PC
900	6.414-631.0	Intermediate filter DS	1	PC
298	6.101-428.0	Locking part for replacement	1	PC
297	6.101-427.0	Set flap dust box	1	PC
300	6.101-429.0	Set releasing device	1	PC



323 Set housing brush roll (6.101-433.0)

POS	Article no.	Description	Quantity	Unit
335	6.101-435.0	Air duct for replacement	1	PC
359	6.101-437.0	Covering cap brush roll for replacement	1	PC
901	2.889-436.0	Roller brush full bristles KIRA CV 50	1	PC
901	2.889-429.0	Roller brush KIRA CV 50	1	PC
364	2.889-430.0	Sweep edge KIRA CV 50	1	PC
329	6.101-434.0	Toothed belt for replacement	1	PC
339	6.101-436.0	Transmission brush roll for replacement	1	PC