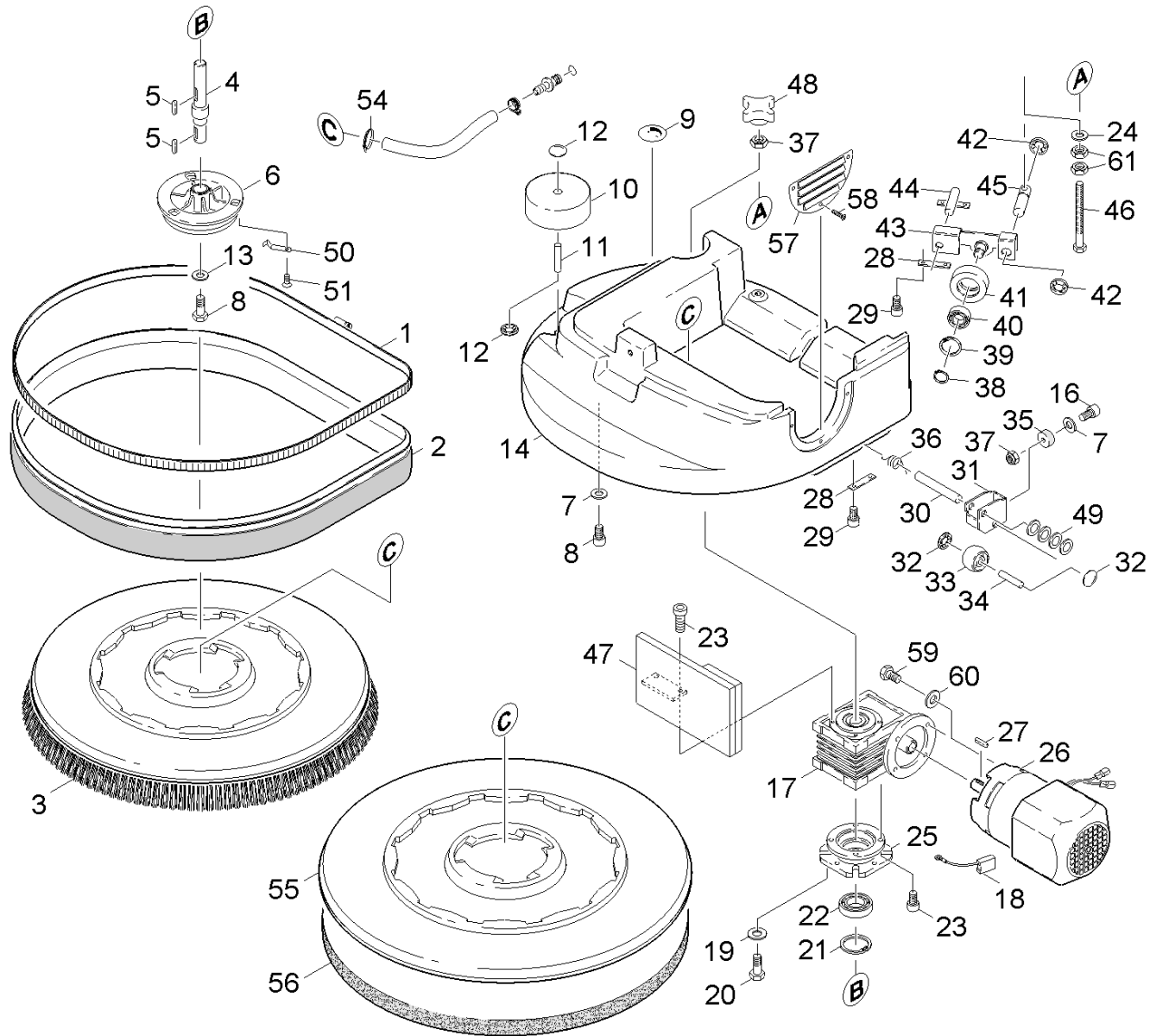


61 Power brush -BD

Overview technical documents/Professional/Floor cleaner/Walk behind/BD 530 O.SAUGB. *EU (1.127-341.0)/Spare parts list BD 530 Netz/60 Power brush BD/61 Power brush -BD



61 Power brush -BD

Overview technical documents/Professional/Floor cleaner/Walk behind/BD 530 O.SAUGB. *EU (1.127-341.0)/Spare parts list BD 530 Netz/60 Power brush BD/61 Power brush -BD

Rez.daļas/nodil.pakļ.daļas	Poz.	Materiāla Nr.	Nosaukums	Daudzums	Pārdoš. vienība	no sēr. Nr..	līdz sēr. Nr.	Daž. informācija
X-X	1	6.389-876.0	Šļūtenes skava	1.000	ST	0000000000	0000000000	
X-X	2	5.394-509.0	Sļakstu drošs profils BD 530 XL	1.000	ST	0000000000	0000000000	
Pozīcijas teksts: / 1.127-241.0								
X-X	2	5.394-488.0	Sļakstu drošs profils	1.000	ST	0000000000	0000000000	
Pozīcijas teksts: / 1.127-141.0								
X-X	3	6.906-056.0	Set water connection 1 "	1.000	ST	0000000000	0000000000	
Pozīcijas teksts: / 1.127-141.0								
	3	6.906-553.0	Disc brush white (old colour black)	1.000	ST	0000000000	0000000000	SWZ
Pozīcijas teksts: / 1.127-241.0								
	3	6.905-865.0	Disc brush black (old colour grey)	1.000	ST	0000000000	0000000000	
Pozīcijas teksts: / 1.127-241.0								
X-X	3	6.906-055.0	Disc brush black (old colour grey)	1.000	ST	0000000000	0000000000	
Pozīcijas teksts: / 1.127-141.0								
X-X	3	6.906-054.0	D birste, sarkana (ex - balta)	1.000	ST	0000000000	0000000000	
Pozīcijas teksts: / 1.127-141.0								
	3	6.905-866.0	Disc brush	1.000	ST	0000000000	0000000000	
Pozīcijas teksts: / 1.127-241.0								
X-X	3	6.905-864.0	D birste, sarkana (ex - balta)	1.000	ST	0000000000	0000000000	
Pozīcijas teksts: / 1.127-241.0								
X-X	3	6.906-552.0	Disc brush white (old colour black)	1.000	ST			
Pozīcijas teksts: / 1.127-141.0								
X	4	5.100-187.0	Shaft	1.000	ST	0000000000	0000000000	
X-X	5	7.318-030.0	Parallel key 6x6x25 -C45R DIN 6885-1	2.000	ST	0000000000	0000000000	
X-X	6	4.122-140.0	Flange	1.000	ST	0000000000	0000000000	
X-X	7	7.312-073.0	Washer 8 -CuZn ISO 7092	5.000	ST	0000000000	0000000000	

61 Power brush -BD

Overview technical documents/Professional/Floor cleaner/Walk behind/BD 530 O.SAUGB. *EU (1.127-341.0)/Spare parts list BD 530 Netz/60 Power brush BD/61 Power brush -BD

Rez.daļas/nodil.pakļ.daļas	Poz.	Materiāla Nr.	Nosaukums	Daudzums	Pārdoš. vienība	no sēr. Nr..	līdz sēr. Nr.	Daž. informācija
X-X	8	7.304-538.0	hexagonal head screw	5.000	ST	0000000000	0000000000	
	9	5.389-705.0	Label	1.000	ST	0000000000	0000000000	
X-X	10	5.515-096.0	Veltnītis	1.000	ST	0000000000	0000000000	
	11	5.105-278.0	Axle	1.000	ST	0000000000	0000000000	
X-X	12	6.343-224.0	Ātrais savienotājs	2.000	ST	0000000000	0000000000	
X-X	13	7.312-268.0	Washer 8 -A2 ISO 7094	1.000	ST	0000000000	0000000000	
X-X	14	5.066-965.0	Cover Disc-Kopf	1.000	ST	0000000000	0000000000	
Pozīcijas teksts: / 1.127-141.0								
	14	5.066-987.0	Cover Disc-Kopf	1.000	ST	0000000000	0000000000	
Pozīcijas teksts: / 1.127-241.0								
X-X	16	7.306-191.0	Screw M6x10 -A2-70 (In6Rd)	1.000	ST	0000000000	0000000000	
	17	6.454-058.0	Worm gearing	1.000	ST	0000000000	0000000000	/ 230 VOLT
Pozīcijas teksts: / 1.127-141.0 / -241.0								
X-X	19	7.312-022.0	Sprostpaplāksne A8,4-1.4310 DIN679	4.000	ST	0000000000	0000000000	
X-X	20	7.303-067.0	Screw M8x16-ST-A3R (IN6RD)	4.000	ST	0000000000	0000000000	
X-X	21	7.343-115.0	Locking ring 47x1,75 -St-ph DIN 472	1.000	ST	0000000000	0000000000	
X-X	22	7.401-173.0	Ball bearing 6204-2RS-WAELZLAGST DIN 625	1.000	ST	0000000000	0000000000	
	23	7.306-092.0	Screw	6.000	ST	0000000000	0000000000	
X-X	24	7.312-292.0	Washer	4.000	ST	0000000000	0000000000	
X-X	25	5.122-470.0	Flange worked	1.000	ST	0000000000	0000000000	
	26	4.623-395.0	Motor 230 V	1.000	ST	0000000000	0000000000	
Pozīcijas teksts: // 1.127-141.0 / -241.0								
X-X	27	7.318-070.0	Parallel key	1.000	ST	0000000000	0000000000	
X-X	28	5.004-835.0	Strap	4.000	ST	0000000000	0000000000	
X-X	29	7.306-130.0	Cylinder head screw M 6x10-A4-70 DIN 91	8.000	ST	0000000000	0000000000	

61 Power brush -BD

Overview technical documents/Professional/Floor cleaner/Walk behind/BD 530 O.SAUGB. *EU (1.127-341.0)/Spare parts list BD 530 Netz/60 Power brush BD/61 Power brush -BD

Rez.daļas/nodil.pakļ.dajas	Poz.	Materiāla Nr.	Nosaukums	Daudzums	Pārdoš. vienība	no sēr. Nr..	līdz sēr. Nr.	Daž. informācija
	30	5.105-325.0	Axle	1.000	ST	0000000000	0000000000	
	31	5.052-044.0	Stand BD	1.000	ST	0000000000	0000000000	
X	32	6.343-149.0	Quick-fastener	2.000	ST	0000000000	0000000000	
X-X	33	5.435-004.0	Roller D40	1.000	ST	0000000000	0000000000	
X-X	34	5.105-266.0	Axle wheel	1.000	ST	0000000000	0000000000	
X-X	35	5.031-519.0	Stand foot	1.000	ST	0000000000	0000000000	
X-X	36	5.335-035.0	Spirālatspere	1.000	ST	0000000000	0000000000	
	37	7.311-067.0	Hexagon nut M 6-A2-70 ISO 4032	1.000	ST	0000000000	0000000000	
X-X	38	7.343-015.0	Bloķētājgredzens 15x1-FST-RF DIN 471	1.000	ST	0000000000	0000000000	
X-X	39	7.343-167.0	Locking ring	1.000	ST	0000000000	0000000000	
X	40	7.401-128.0	Lod.gultnis 6202-2RS -Wälzl.St DIN 625	1.000	ST	0000000000	0000000000	
X-X	41	5.435-001.0	Veltnītis	1.000	ST	0000000000	0000000000	
	42	7.343-206.0	Sprostpaplāksne 12-2.1030 DIN 6799	2.000	ST	0000000000	0000000000	
X-X	43	4.481-289.0	Holder pressure roller completely	1.000	ST	0000000000	0000000000	
X	44	5.105-274.0	Axle	1.000	ST	0000000000	0000000000	
	45	5.105-226.0	Axle	1.000	ST	0000000000	0000000000	
	46	7.304-482.0	Hexagonal head screw M 6x80-A4-70 ISO 40	1.000	ST	0000000000	0000000000	
	47	4.031-004.0	Additional weight BD530	1.000	ST	0000000000	000013829	
	48	7.321-011.0	Star handle K 32 DIN 6335	1.000	ST	0000000000	0000000000	
X-X	49	7.312-074.0	Washer 10 -CuZn ISO 7092	4.000	ST	0000000000	0000000000	
X-X	50	5.337-033.0	Atsperes plāksne	3.000	ST	0000000000	0000000000	
X-X	51	7.306-213.0	screw	3.000	ST	0000000000	0000000000	
X-X	54	6.390-002.0	Angle bushing	1.000	ST	0000000000	0000000000	
X-X	55	6.906-332.0	oil filter cartridge	1.000	ST	0000012081	0000000000	
	55	5.114-497.0	Ring pad drive disk	1.000	ST	0000000000	0000011996	

61 Power brush -BD

Overview technical documents/Professional/Floor cleaner/Walk behind/BD 530 O.SAUGB. *EU (1.127-341.0)/Spare parts list BD 530 Netz/60 Power brush BD/61 Power brush -BD

Rez.daļas/nodil.pakļ.daļas	Poz.	Materiāla Nr.	Nosaukums	Daudzums	Pārdoš. vienība	no sēr. Nr..	līdz sēr. Nr.	Daž. informācija
	56	6.369-960.0	Pad Mikrofaser	1.000	ZSA	0000000000	0000000000	
Pozīcijas teksts: / 1.127-684.0 / -688.0 / -806.0								
X-X	56	6.369-023.0	Spilventiņš, zaļš	1.000	ZSA	0000000000	0000000000	
Pozīcijas teksts: / 1.127-141.0 / -241.0								
X-X	56	6.369-022.0	Pad black	1.000	ZSA	0000000000	0000000000	
Pozīcijas teksts: / 1.127-141.0 / -241.0								
X-X	56	6.369-024.0	Pad red	1.000	ZSA	0000000000	0000000000	
Pozīcijas teksts: / 1.127-141.0 / -241.0								
	56	6.369-961.0	Pad Mikrofaser	1.000	ZSA			
Pozīcijas teksts: / 1.127-441.0 / -808.0								
	57	5.063-840.0	Cover	1.000	ST	0000000000	0000000000	
Pozīcijas teksts: / 1.127-241.0								
	57	5.063-832.0	Cover	1.000	ST	0000000000	0000000000	
Pozīcijas teksts: / 1.127-141.0								
X-X	58	7.303-104.0	Skrūve 5x16 -A2-70 (IN6RD)	3.000	ST	0000000000	0000000000	
X-X	59	7.304-521.0	Hexagonal head screw M 6x16-A4-70 ISO 4	4.000	ST	0000000000	0000000000	
X-X	60	7.312-026.0	Washer 6-A2 ISO 7090	4.000	ST	0000000000	0000000000	
	61	7.311-200.0	Hexagon nut M6 -04-A2E ISO 4035	2.000	ST			