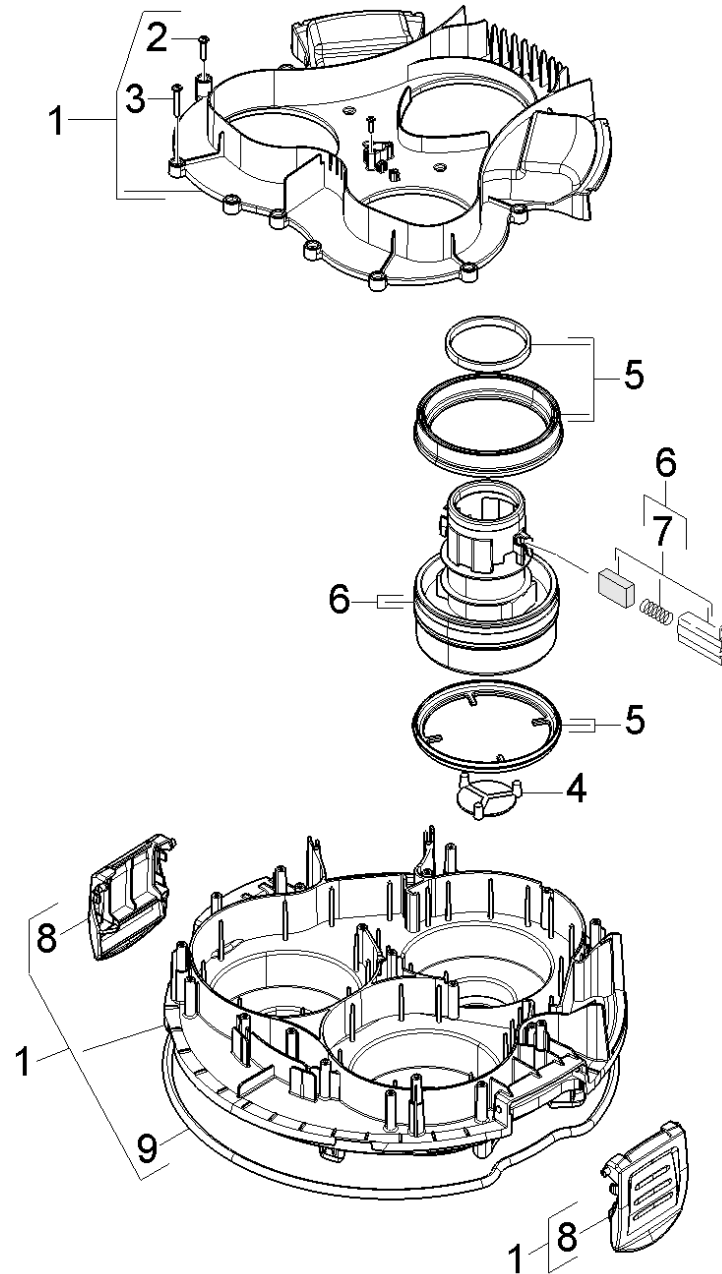


20 Vacuum motor

Professional \ Vacuum cleaner \ Wet-/dry vacuum cleaner \ NT 70/3 *EU \ Spare parts list NT 70/x \ Vacuum motor



20 Vacuum motor

Professional \ Vacuum cleaner \ Wet-/dry vacuum cleaner \ NT 70/3 *EU \ Spare parts list NT 70/x \ Vacuum motor



| POS | Article no. | Description | Quantity | Unit | Foot note text |
|-----|--|------------------------------|----------|------|------------------------------|
| 1 | 6.060-001.0 | Housing turbine complete | 1.000 | ST | |
| 2 | 7.303-109.0 | Screw 5x25 -10.9-R2R (In6Rd) | 1.000 | ST | |
| 3 | 7.303-110.0 | Screw 5x35 -10.9-R2R (In6Rd) | 14.000 | ST | |
| 4 | 5.064-320.0 | Cover turbine | 1.000 | ST | QUANTITY ACCORDING TO DEMAND |
| 5 | 6.363-508.0 | Set seal | 1.000 | ST | QUANTITY ACCORDING TO DEMAND |
| 6 | 6.490-182.0 | Vacuum motor 230V 50/60Hz | 1.000 | ST | QUANTITY ACCORDING TO DEMAND |
| | Item text1: /1.667-203.0 / -204.0 / -205.0 / -210.0 /-213.0 / -216.0 / -217.0 / -221.0 /-222.0 / -223.0 | | | | |
| 6 | 6.490-117.0 | Vacuum motor 120V 50/60Hz | 1.000 | ST | |
| | Item text1: /1.667-211.0 | | | | |
| 7 | 6.610-207.0 | Carbon brush set | 1.000 | ZSA | |
| | Item text1: /1.667-211.0 | | | | |
| 7 | 6.610-246.0 | Carbon brush | 2.000 | ST | QUANTITY ACCORDING TO DEMAND |
| 8 | 5.033-433.0 | Locking clip | 2.000 | ST | |
| 9 | 6.362-857.0 | Cord cellular rubber D10 | 1.000 | ST | |