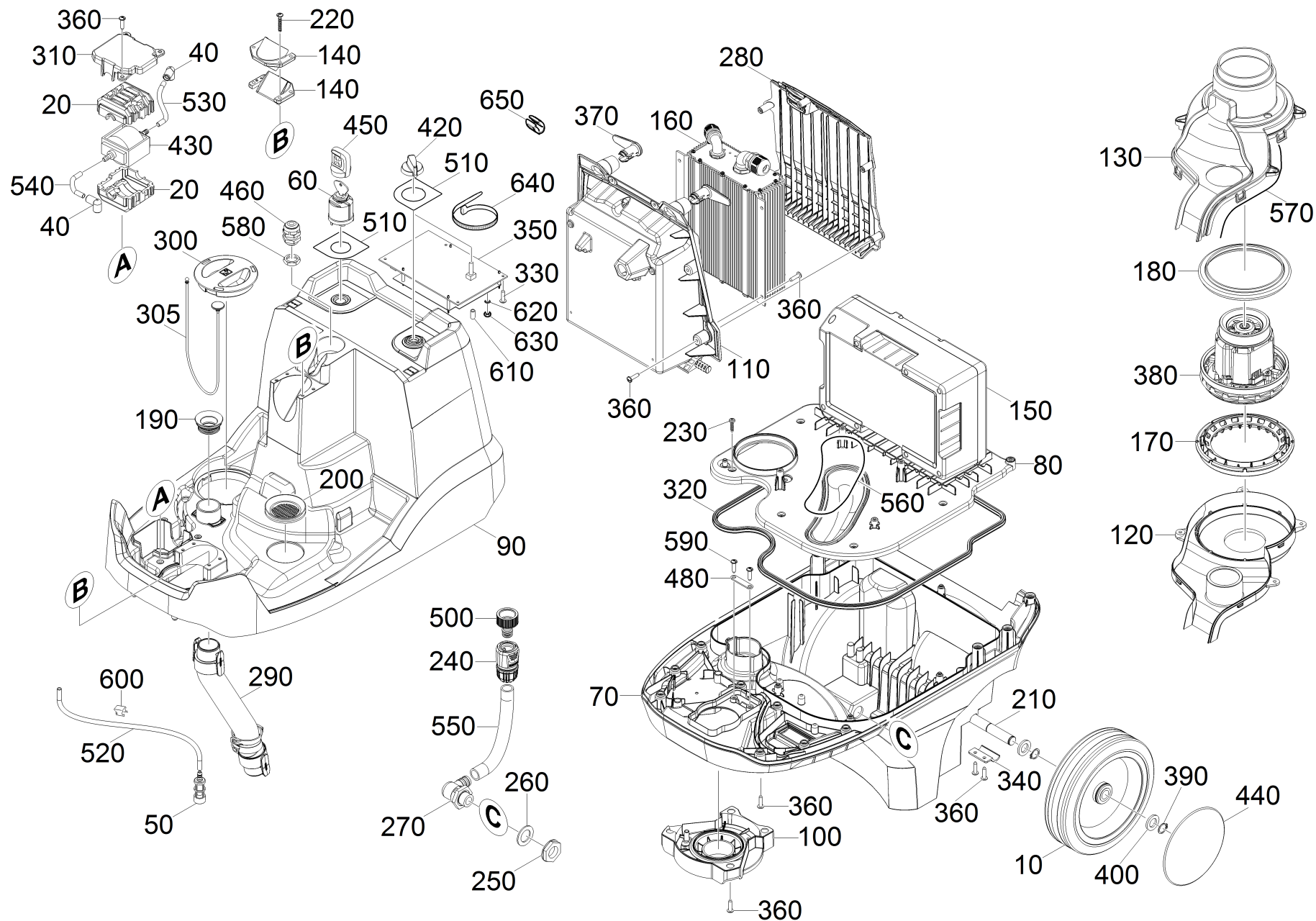


# 20 Chassis complete

Professional \ Floor cleaner \ Compact \ BR 35/12 C Bp Pack \ Spare parts list BR 35/12 \ Chassis complete



## 20 Chassis complete

Professional \ Floor cleaner \ Compact \ BR 35/12 C Bp Pack \ Spare parts list BR 35/12 \ Chassis complete



POS	Preces Nr.	Apraksts	Skaits	Vieniba	Sērijas numurs no	Sērijas numurs līdz	Zemsvītras piezīme
40	5.050-411.0	Angle bushing water distributor	2.000	ST			
210	5.037-304.0	Axle wheels	1.000	ST			
160	6.654-293.0	Battery charger 29,4V / 10A	1.000	ST			
100	5.037-285.0	Bearing brush-head	1.000	ST			
20	5.050-408.0	Bearing pump	2.000	ST			
390	7.343-015.0	Bloķētājgredzens 15x1-FST-RF DIN 471	4.000	ST			
460	6.648-400.0	Cable gland black M20x1,5	1.000	ST			
640	6.641-458.0	Cable tape	3.000	ST			
450	5.032-326.0	CAP	1.000	ST			
370	5.044-661.0	Catch for cable yellow	2.000	ST			
500	6.465-031.0	connection	1.000	ST			
90	5.037-280.0	Covering cap appliance	1.000	ST			
110	5.037-286.0	Covering cap battery charger	1.000	ST			
280	5.037-306.0	Covering cap battery charger rear	1.000	ST			
310	5.037-307.0	Cover pump	1.000	ST			
300	5.051-294.0	Cover tank	1.000	ST			
150	6.654-294.0	Drive battery Li-Ionen 25,2V/21 Ah	1.000	ST			
350	2.816-181.0	Electric equipment BR 35/12	1.000	ST			FOR ORDERS PAY ATTENTION TO VERSION OFF POS. 420
50	5.731-664.0	Filter with weight	1.000	ST			
340	5.037-309.0	Fixing axle	2.000	ST			
70	5.037-278.0	Fresh water tank bottom part	1.000	ST			
80	5.037-279.0	Fresh water tank top part	1.000	ST			
140	5.037-289.0	Half shell bearing operating unit	4.000	ST			
630	7.311-001.0	Hexagon nut M4 -8-A2E ISO 4032	4.000	ST			
610	6.388-958.0	Hose	1.000	M			TO ORDER AS CUT GOODS
240	4.645-332.0	HOSE CONNECTOR 1/2" / 5/8" OPP	1.000	ST			
550	5.037-358.0	Hose discharge fresh water tank	1.000	ST			
200	5.363-344.0	Joint ring	1.000	ST			
60	6.630-106.0	key switch	1.000	ST			
510	5.037-351.0	Label	1.000	ST			
270	6.395-163.0	Leņķveida uzgalis G1-2	1.000	ST			
580	6.648-416.0	Locknut black M20	1.000	ST			

## 20 Chassis complete

Professional \ Floor cleaner \ Compact \ BR 35/12 C Bp Pack \ Spare parts list BR 35/12 \ Chassis complete



POS	Preces Nr.	Apraksts	Skaits	Vieniba	Sērijas numurs no	Sērijas numurs līdz	Zemsvītras piezīme
170	9.079-050.0	Motor sealing	1.000	ST			
305	5.035-358.0	Mounting rope cover fresh water tank	1.000	ST			
190	5.050-415.0	O-ring seal	1.000	ST			
560	6.273-037.0	Plombas aukla no porainas gumijas 3	505.000	M			TO ORDER AS CUT GOODS
570	6.273-037.0	Plombas aukla no porainas gumijas 3	810.000	M			TO ORDER AS CUT GOODS
650	5.033-928.0	Plug fixing RAL 1018	1.000	ST			
430	6.473-580.0	Pump 24V	1.000	ST			
505	6.343-147.0	Quick-fastener	1.000	ST			
130	5.037-288.0	Retainer vac motor above	1.000	ST			
120	5.037-287.0	Retainer vac motor bottom	1.000	ST			
10	6.435-356.0	Ritenis D200	2.000	ST			
420	5.035-437.0	Rotary controller	1.000	ST		020312	
420	5.037-014.0	Rotary controller	1.000	ST	020313		
260	5.515-253.0	Rullītis	1.000	ST			
330	7.303-095.0	Screw 4x 12-ST-10.9-R2R (In6RD)	4.000	ST			
590	7.303-026.0	Screw 4x16 -A2-70 (In6Rd)	2.000	ST			
320	5.037-308.0	Seal fresh water tank	1.000	ST			
180	9.079-024.0	Seal motor above	1.000	ST			
620	7.312-230.0	Serrated lock washer A4,3-FSt-A3E DIN67	2.000	ST			
250	6.310-004.0	Sešstūra uzgrieznis G 1/2	1.000	ST			
400	5.010-977.0	Sheet metal ring	4.000	ST			
360	7.303-108.0	Skrūve 5x20 -10.9-R2R (In6Rd)	42.000	ST			
230	7.303-212.0	Skrūve 5x20 -A2-70 (In6Rd)	8.000	ST			
220	7.303-086.0	Skrūve 5x30 -10.9-R2R (K-In6Rd)	8.000	ST			
480	6.647-513.0	Strain relief	1.000	ZST			
290	4.037-032.0	Suction hose complete	1.000	ST			
600	6.373-862.0	U-Fastening	3.000	ST			
380	6.490-312.0	Vac motor	1.000	ST			
440	6.435-860.0	Wheel cap neutrally BR/BD 40/25 C	2.000	ST			

## 20 Chassis complete

Professional \ Floor cleaner \ Compact \ BR 35/12 C Bp Pack \ Spare parts list BR 35/12 \ Chassis complete



POS	Preces Nr.	Apraksts	Skaitis	Vienība	Sērijas numurs no	Sērijas numurs līdz	Zemsvītras piezīme
520	6.388-216.0	Šļūtene DN 5	1.000	M			TO ORDER AS CUT GOODS
530	6.388-216.0	Šļūtene DN 5	1.000	M			TO ORDER AS CUT GOODS
540	6.388-216.0	Šļūtene DN 5	1.000	M			TO ORDER AS CUT GOODS