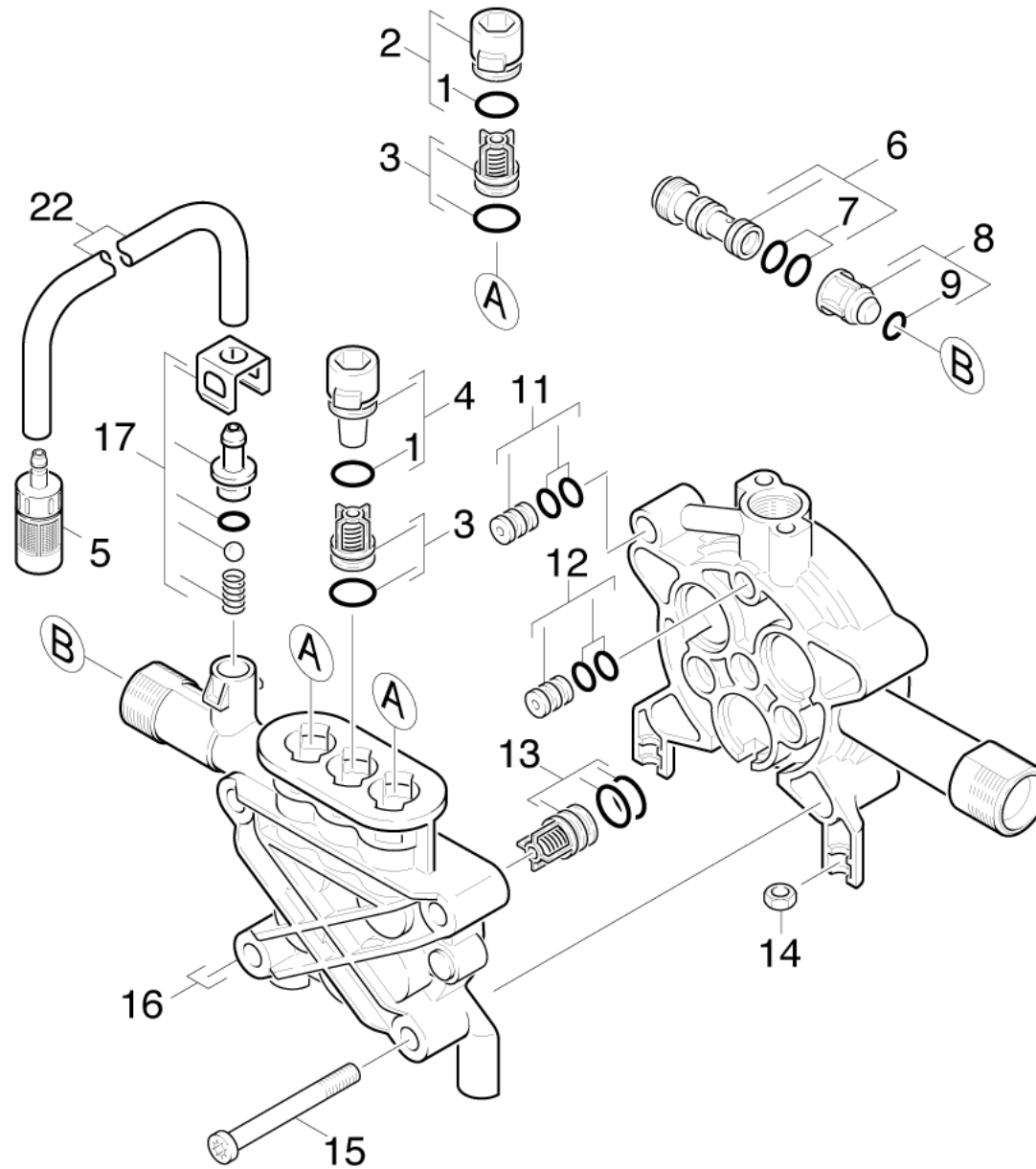


23 Cylinder head

Home and Garden \ High pressure cleaner cold water \ Electric motor \ K 5 \ K 5.05M-PL-RWB-TR*EU \ Spare parts list K 520 M \ Pump set \ Cylinder head



23 Cylinder head

Home and Garden \ High pressure cleaner cold water \ Electric motor \ K 5 \ K 5.05M-PL-RWB-TR*EU \ Spare parts list K 520 M \ Pump set \ Cylinder head

KÄRCHER

POS	Article no.	Description	Quantity	Unit	Foot note text
1	6.363-273.0	O-Ring seal 11,0 x 2,0	3.000	ST	
2	4.132-010.0	Valve plug complete	2.000	ST	
3	2.884-873.0	Valve (3 Stueck)	1.000	ST	
4	4.132-011.0	Valve plug complete	1.000	ST	
5	4.862-032.0	Filter chemistry regulation	1.000	ST	
6	4.769-034.0	Nozzle insert only for replacement	1.000	ST	
7	6.362-384.0	O-Ring seal 9x1,5 - NBR 70	2.000	ST	
8	4.584-022.0	Valve pin complete	1.000	ST	
9	6.363-613.0	O-Ring seal 4 x 2 -NBR90	1.000	ST	
11	4.030-070.0	Throttle complete	1.000	ST	
12	4.030-125.0	Joining piece only for replacement	1.000	ST	
13	2.884-877.0	Valve (3 Stueck)	1.000	ST	
14	7.311-003.0	Hexagon nut M6 -8-A2E ISO 4032	2.000	ST	
15	7.306-154.0	Screw M8x75 -8.8-A3R (In6Rd)	4.000	ST	
16	5.550-331.0	Cylinder head	1.000	ST	
17	2.883-158.0	Spare part set	1.000	ST	
22	6.388-216.0	Hose DN 5	1.000	M	TO ORDER AS CUT GOODS