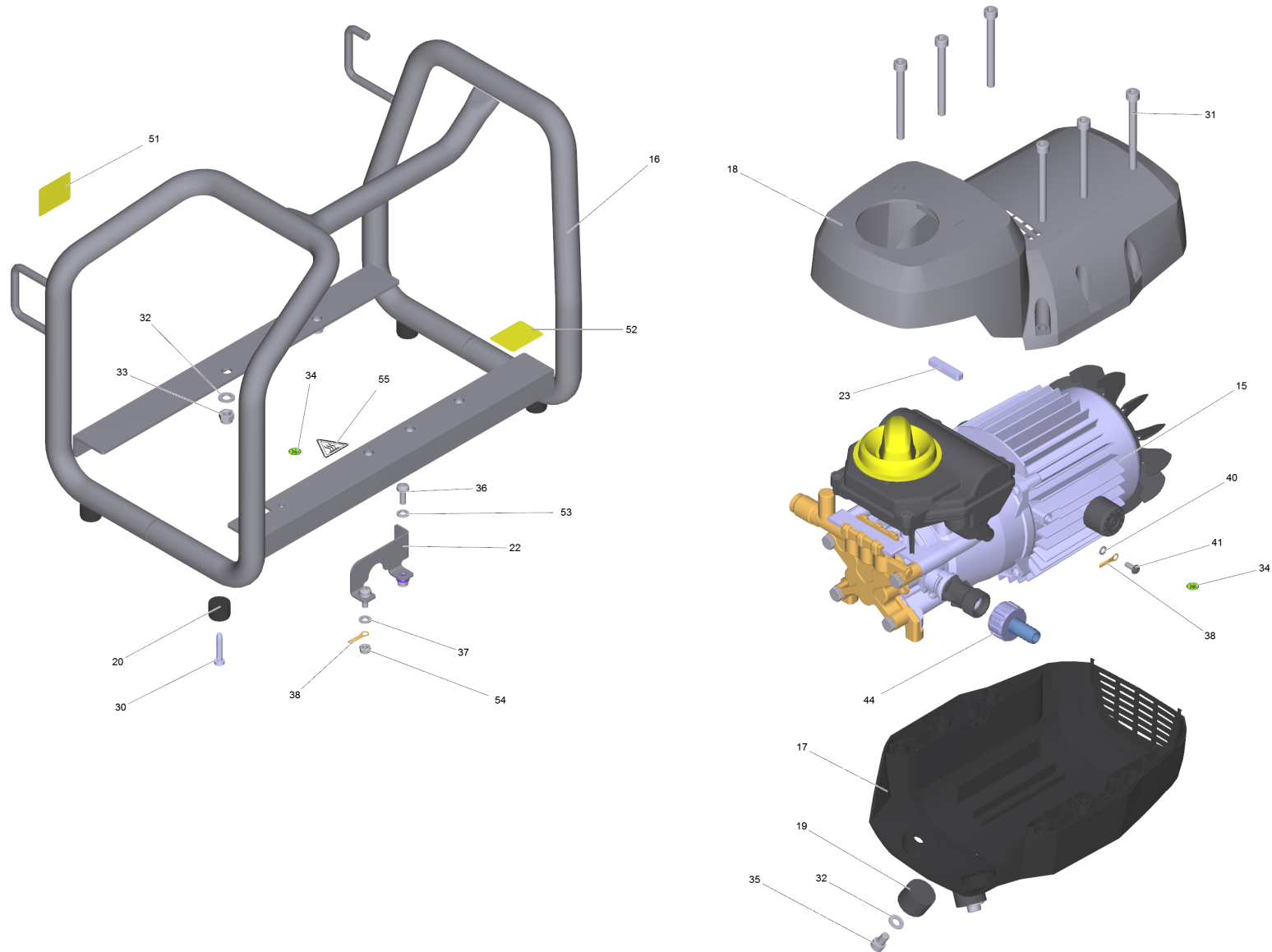


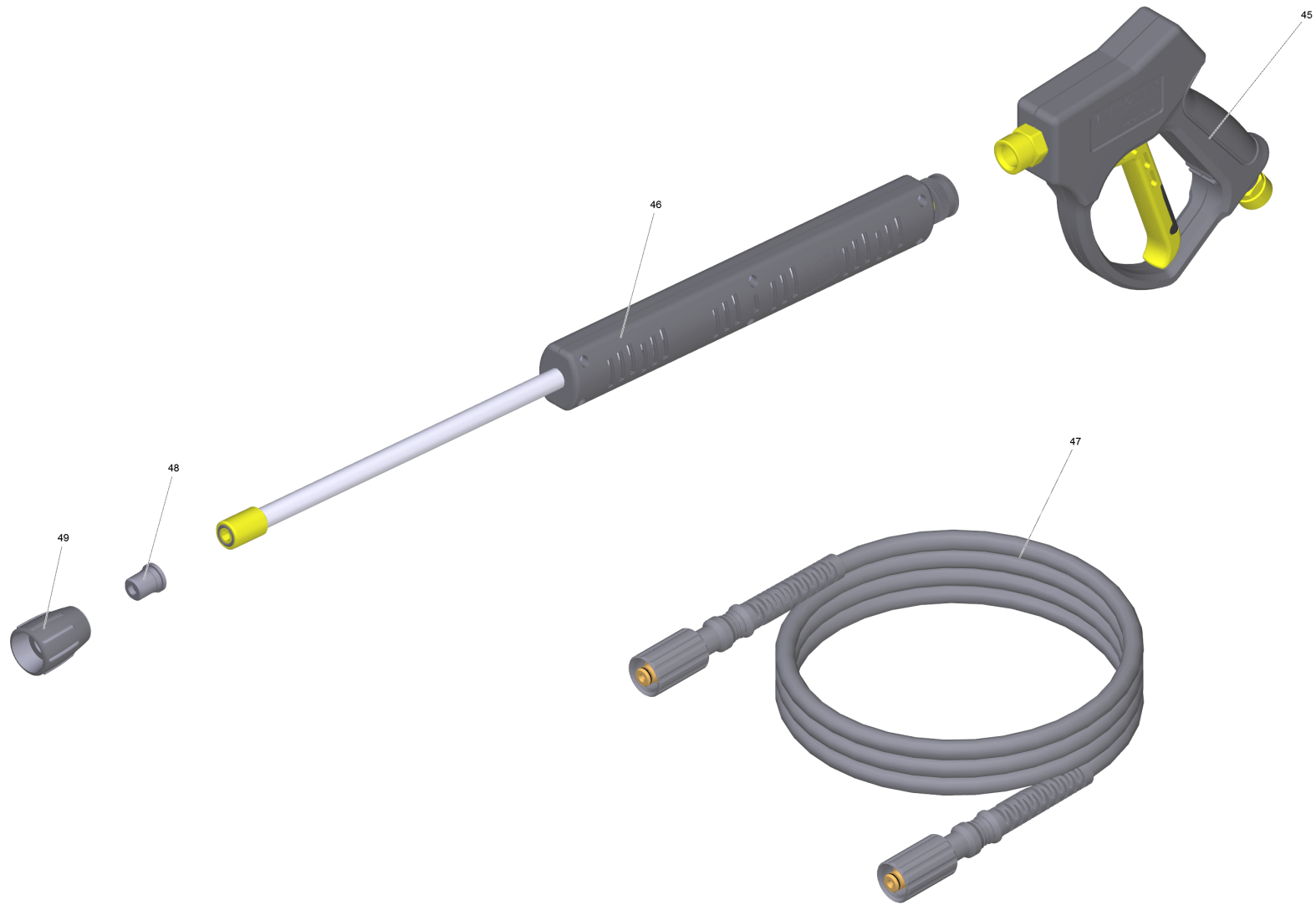
3 Spare parts list high-pressure 5/11 Cage (5.973-597.0)

Professional \ High pressure cleaner cold water \ Electric motor \ HD 5/11 Cage *CN \ Spare parts list high-pressure 5/11 Cage



3 Spare parts list high-pressure 5/11 Cage (5.973-597.0)

Professional \ High pressure cleaner cold water \ Electric motor \ HD 5/11 Cage *CN \ Spare parts list high-pressure 5/11 Cage



3 Spare parts list high-pressure 5/11 Cage (5.973-597.0)

Professional \ High pressure cleaner cold water \ Electric motor \ HD 5/11 Cage *CN \ Spare parts list high-pressure 5/11 Cage

POS	Article no.	Description	Quantity	Unit
12	5.767-005.0	Rubber buffer	2	PC
15		Pump set HD 5/11 CN localize	1	PC
16	9.751-130.0	Frame completely	1	PC
17	9.761-477.0	Blower cover bottom	1	PC
18	9.761-493.0	Blower cover above HD 5/11 Cage	1	PC
19	6.339-081.0	Rubber buffer D30X20	2	PC
20	9.761-041.0	Rubber buffer 6.339-007.0	4	PC
22	9.761-479.0	Sheet metal component	1	PC
23	9.761-480.0	Rubber part	1	PC
30	9.761-038.0	Self-tapping screw M6x30	4	PC
31	7.306-365.0	Screw M8x80 -8.8-A3R ISO 4762	6	PC
32	7.312-004.0	Washer 8 -200HV-A3E ISO 7089	8	PC
33	7.311-510.0	Hexagon nut M 8-8-A2E ISO 7040	6	PC
34	6.643-145.0	Label earthing	3	PC
35	7.306-119.0	Cylinder head screw M8x12 -A2-70 ISO 47	2	PC
36	7.306-090.0	Screw M6x16 -8.8-P2R (In6Rd)	2	PC
37	6.600-117.0	Contact disk 6mm	1	PC
38	9.761-420.0	Cable earthing 600mm	1	PC
40	7.313-016.0	Spring washer B 5-1.4310 DIN 127	1	PC
41	7.303-038.0	Screw M5x12 -St-P2R (In6Rd)	1	PC
44	4.401-056.0	Screw connector part	1	PC
45	9.751-139.0	Pistol for replacement	1	SET
46	9.751-140.0	Jet pipe for replacement 600mm	1	SET
47	9.751-035.0	HD hose DN6,10m	1	PC
48	2.883-821.0	Power nozzle 25036	1	PC
49	5.401-210.0	Screw connector part	1	PC
51	9.761-388.0	Label 93 dB	1	PC
52	5.387-620.0	Warning sticker-Prevent from freezing	1	PC
53	7.312-003.0	Washer 6 -200HV-A3E ISO 7089	3	PC
54	7.311-425.0	Hexagon nut M6 -04-A2E DIN 985	2	PC
55	5.384-004.0	Label hot do not touch	2	PC