



## **Spare parts list**

(1.439-130.0) SC 5.800 C \*EU

## Table of contents

---

SC 5.800 C *EU (1.439-130.0)	3
Short spare parts list	4
Spare parts list SC 5.800 C (5.971-387.0)	6
10 Housing	7
20 Boiler	10
30 Steam hose	12
1 Steam hose replacement ye/bk (4.322-020.0)	14
40 Accessories	16
2 Point jet nozzle complete PA (4.130-021.0)	18
8 Extension pipe (4.127-024.0)	20
13 Power nozzle (2.884-282.0)	22
50 Smoothing iron	24

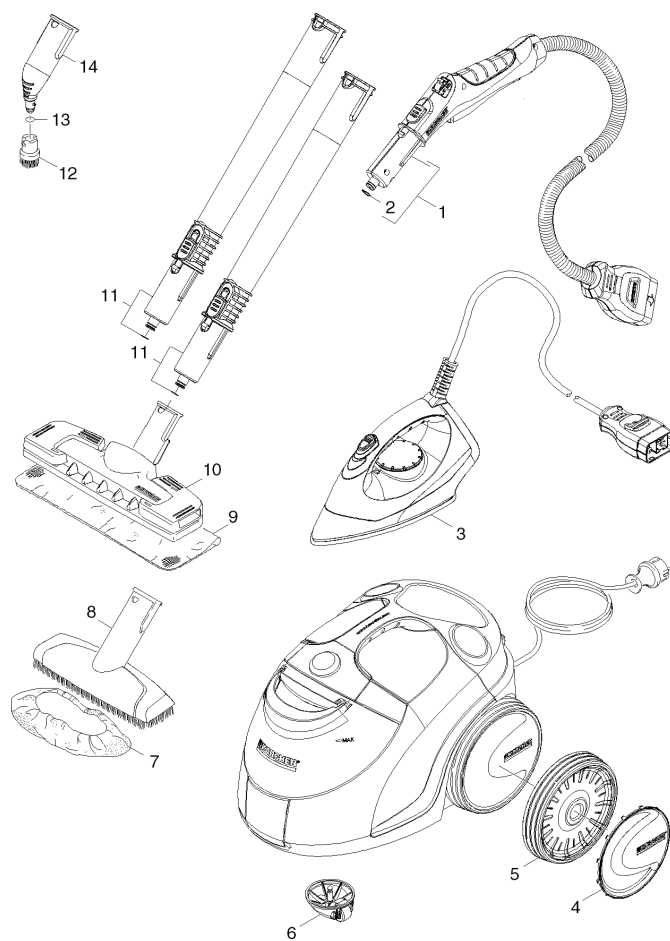
SC 5.800 C \*EU (1.439-130.0)

---

POS	Article no.	Description	Quantity	Unit
0		Short spare parts list	1.000	ST
0	5.971-387.0	Spare parts list SC 5.800 C	1.000	ST

Short spare parts list

---



Short spare parts list

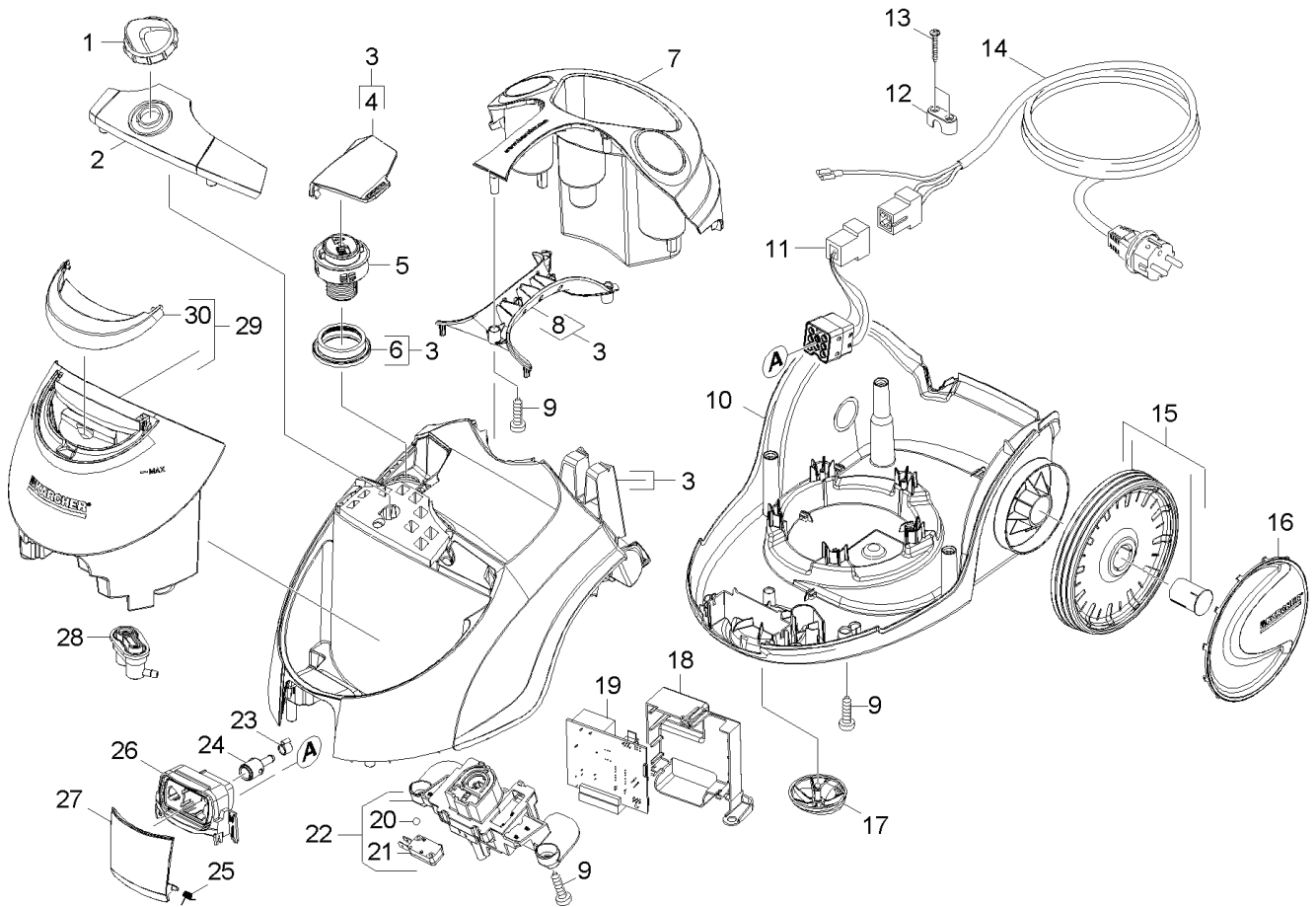
POS	Article no.	Description	Quantity	Unit
12	2.863-077.0	Bristle rink set	1.000	ST
6		Castor complete SC TOP	1.000	ST
9	6.369-357.0	Cloth set	1.000	ST
7	6.370-990.0	Cloth set	1.000	ST
11	4.127-024.0	Extension pipe	2.000	ST
10	4.130-018.3	Floor tool better	1.000	ST
8	2.884-280.0	Hand nozzle	1.000	ST
13	6.362-924.0	O-Ring seal 6,02X 2,62	1.000	ST
2	6.362-922.0	O-Ring seal 8,73x1,78	1.000	ST
14	4.130-021.0	Point jet nozzle complete PA	1.000	ST
4	4.515-338.0	Screen set replacement ye	1.000	ST
3	2.863-208.0	Smoothing iron special accessories I 600	1.000	ST
1	4.322-020.0	Steam hose replacement ye/bk	1.000	ST
5	4.515-336.0	Wheel set replacement	1.000	ST

Spare parts list SC 5.800 C (5.971-387.0)

---

<b>POS</b>	<b>Description</b>	<b>Quantity</b>	<b>Unit</b>
40	Accessories	1.000	ST
20	Boiler	1.000	ST
10	Housing	1.000	ST
50	Smoothing iron	1.000	ST
30	Steam hose	1.000	ST

10 Housing



## 10 Housing

POS	Article no.	Description	Quantity	Unit	Remark	Foot note text
7	5.512-114.0	Attachment housing black SC TOP DIY	1.000	ST		
11	4.039-214.0	Cable set with insert SC TOP	1.000	ST		
14	6.650-094.0	Cable with plug *CH 5m	1.000	ST	*CH	
14	6.650-200.0	Cable with plug *CN 5m	1.000	ST	*CN	
14	6.649-861.0	Cable with plug *GB 5m	1.000	ST	*GB	
14	6.649-796.0	Cable with plug 5m*EU	1.000	ST	*EU	
18	5.512-095.0	Carrier electronics SC Top	1.000	ST		
8	5.512-117.0	Carrier handle bottom part yellow SC TOP	1.000	ST		
30	5.512-101.0	Carrier handle tank SC Top	1.000	ST		
17	4.195-063.0	Castor complete	1.000	ST		
4	5.512-115.0	Cover accessories yellow SC TOP DIY	1.000	ST		
27	5.512-120.0	Cover plug socket black SC TOP DIY	1.000	ST		
19	6.512-025.0	Electronics SC TOP DIY	1.000	ST		
23	6.389-882.0	Hose clip 8,5-10,0	1.000	ST		
10	5.512-116.0	Housing bottom part black SC TOP DIY	1.000	ST		
3	4.512-065.0	Housing top part replacement SC 5.800 C	1.000	ST		
5	4.580-760.0	Maintenance closure complete replacement	1.000	ST		
21	6.630-652.0	Micro switch 1005	1.000	ST		
24	5.409-642.0	Nipple plug socket	1.000	ST		
13	6.303-199.0	Oval head screw 4,2x 16	2.000	ST		
26	5.512-040.0	Plug socket EFH	1.000	ST		
22	4.512-054.0	Ratchet unit SC TOP DIY	1.000	ST		
12	5.034-505.0	Retaining bracket cable	1.000	ST		
16	4.515-338.0	Screen set replacement ye	1.000	ST		
9	7.303-108.0	Screw 5x20 -10.9-R2R (In6Rd)	11.000	ST		
6	5.363-745.0	Seal connection piece M24	1.000	ST		
2	4.512-066.0	Set screen replacement SC 5.800 C	1.000	ST		
20	7.401-918.0	Sphere 6 G300 -1.4301 DIN 5401	1.000	ST		
1	5.033-757.0	Steam quantity adjuster SC Top	1.000	ST		
29	4.512-063.0	Tank complete replacement SC TOP	1.000	ST		
25	6.332-002.0	Torsion spring plug socket base	1.000	ST		



10 Housing

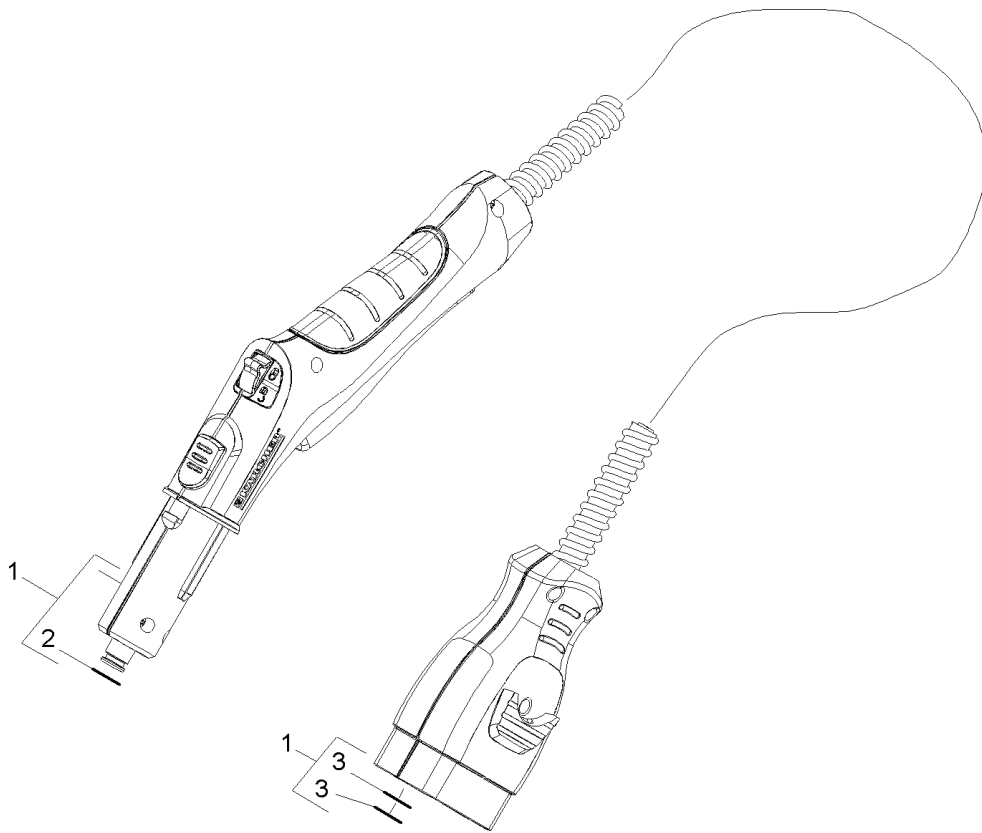
---

POS	Article no.	Description	Quantity	Unit	Remark	Foot note text
28	4.580-637.0	Valve tank replacement	1.000	ST		
15	4.515-336.0	Wheel set replacement	1.000	ST		SET OF 2 PIECES



20 Boiler

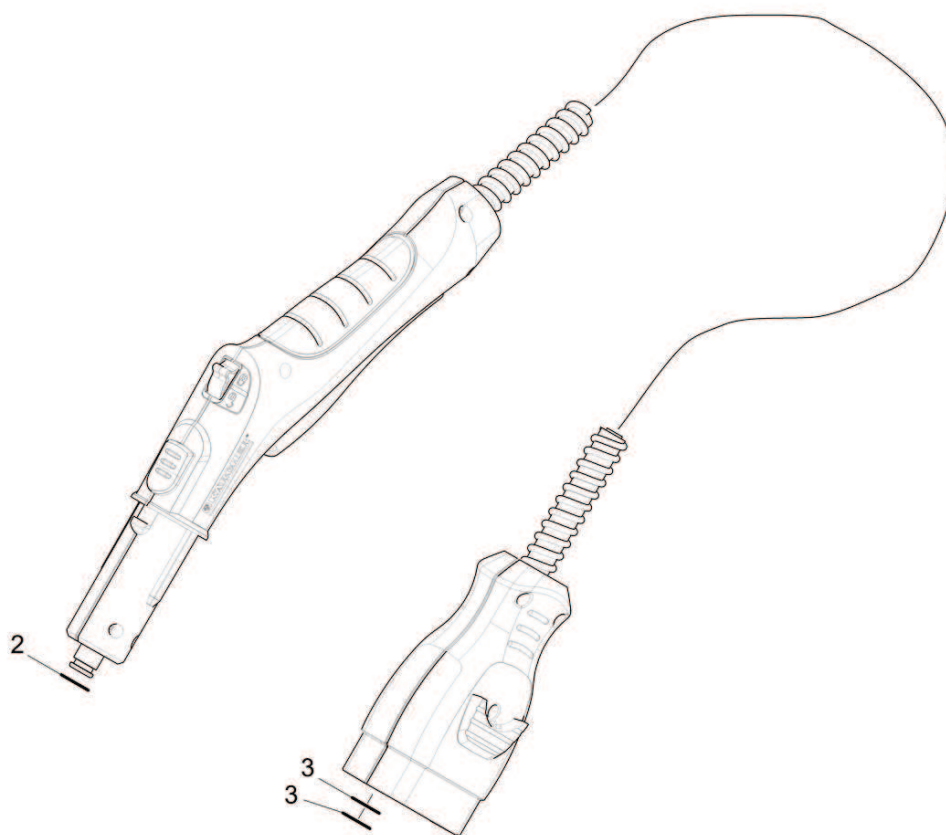
POS	Article no.	Description	Quantity	Unit	Foot note text
11	6.512-002.0	Bearing rubber above	2.000	ST	
19	6.512-001.0	Bearing rubber bottom	5.000	ST	
6	4.070-886.0	Boiler complete replacement DIY	1.000	ST	
3	5.512-109.0	Carrier pump SC Top	1.000	ST	
1	6.391-336.0	Hose	1.000	M	TO ORDER AS CUT GOODS
16	6.391-299.0	Hose	1.000	M	TO ORDER AS CUT GOODS
13	6.389-993.0	Hose clip 7,5 - 9,0	1.000	ST	
9	6.389-882.0	Hose clip 8,5-10,0	5.000	ST	
12	6.389-862.0	Hose silicon DN4	3.000	M	TO ORDER AS CUT GOODS
21	5.673-187.0	Insulating boiler	1.000	ST	
20	6.303-324.0	M6 X 32 TORX DRIVE PAN HD SPECIAL POINT	5.000	ST	
22	6.303-199.0	Oval head screw 4,2x 16	2.000	ST	
5	6.413-284.0	Pressure controller 0,4MPa	1.000	ST	
7	4.512-028.0	Probe complete replacement	1.000	ST	
2	4.473-024.0	Pump complete E 503	1.000	ST	
4	6.512-022.0	Rubber bearing pump E 503 SC Top	1.000	ST	
18	7.303-031.0	Screw M4x10 -St-P2R (In6Rd)	2.000	ST	
8	7.303-032.0	Screw M4x12 -St-R2R (In6Rd)	3.000	ST	
10	4.509-001.0	Set double nipple replacement	1.000	ST	
14	4.686-025.0	Set solenoid valve replacement	1.000	ST	
15	6.651-519.0	Tab	1.000	ST	
17	6.630-483.0	Thermostat	1.000	ST	



### 30 Steam hose

---

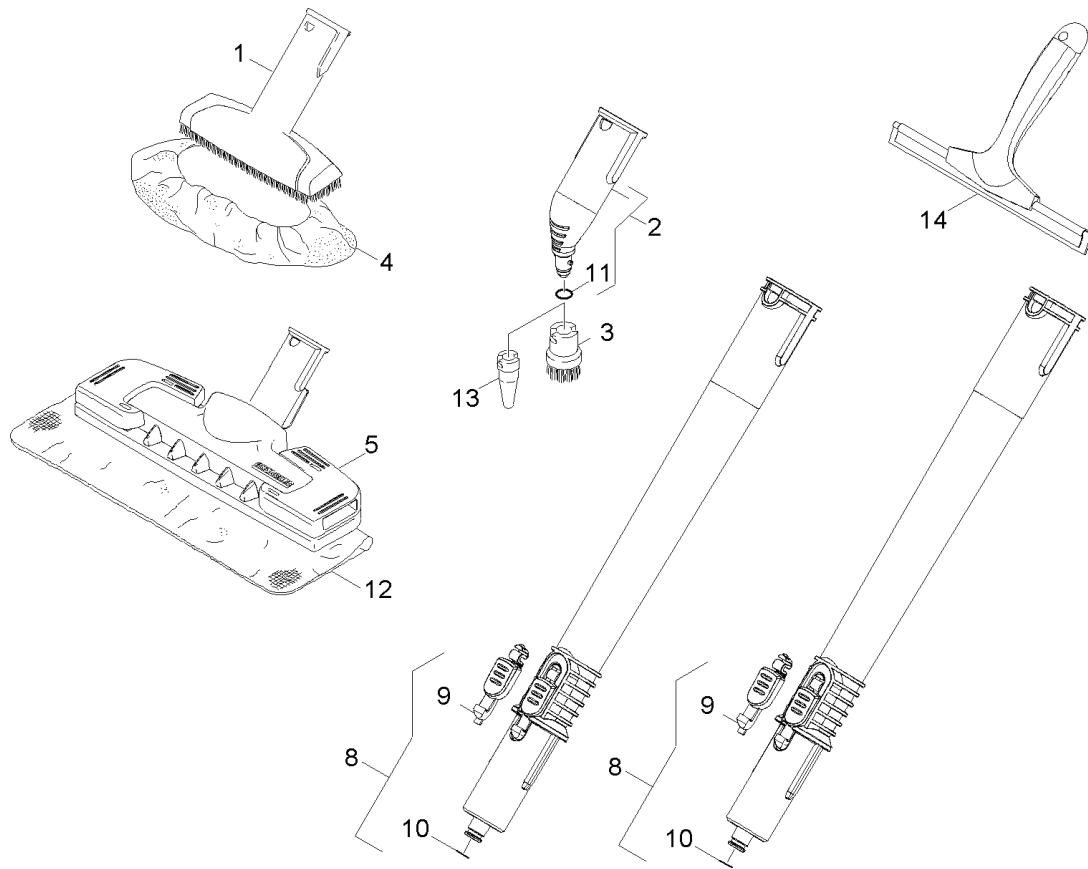
POS	Article no.	Description	Quantity	Unit
3	6.362-923.0	O-Ring seal 6,75X 1,78	2.000	ST
2	6.362-922.0	O-Ring seal 8,73x1,78	1.000	ST
1	4.322-020.0	Steam hose replacement ye/bk	1.000	ST



1 Steam hose replacement ye/bk (4.322-020.0)

---

POS	Article no.	Description	Quantity	Unit
3	6.362-923.0	O-Ring seal 6,75X 1,78	2.000	ST
2	6.362-922.0	O-Ring seal 8,73x1,78	1.000	ST





40 Accessories

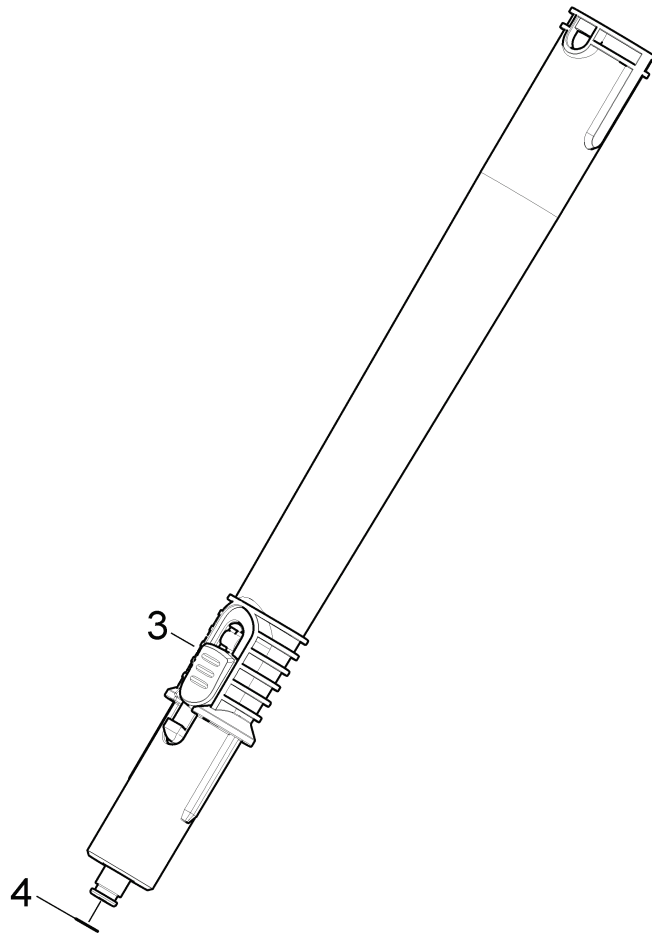
POS	Article no.	Description	Quantity	Unit	Remark	Foot note text
3	2.863-058.0	Bristle rink set	1.000	ST		
3	2.863-061.0	Bristle rink set CuZn	1.000	ST		BRASS CONSTRUCTION
12	6.369-357.0	Cloth set	1.000	ST		
4	6.370-990.0	Cloth set	1.000	ST		
12	2.863-173.0	Cloth set Steam+Clean Floor	1.000	ST	Soft	
8	4.127-024.0	Extension pipe	2.000	ST		
5	4.130-018.3	Floor tool better	1.000	ST		
1	2.884-280.0	Hand nozzle	1.000	ST		
15	6.362-924.0	O-Ring seal 6,02X 2,62	1.000	ST		
11	6.362-186.0	O-Ring seal 7,65X 1,78	1.000	ST		
10	6.362-922.0	O-Ring seal 8,73x1,78	2.000	ST		
2	4.130-021.0	Point jet nozzle complete PA	1.000	ST		
13	2.884-282.0	Power nozzle	1.000	ST		
14	6.907-200.0	Tool - extractor window	1.000	ST		



2 Point jet nozzle complete PA (4.130-021.0)

---

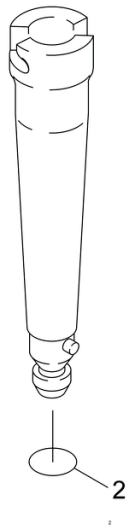
POS	Article no.	Description	Quantity	Unit
2	6.362-186.0	O-Ring seal 7,65X 1,78	1.000	ST



8 Extension pipe (4.127-024.0)

---

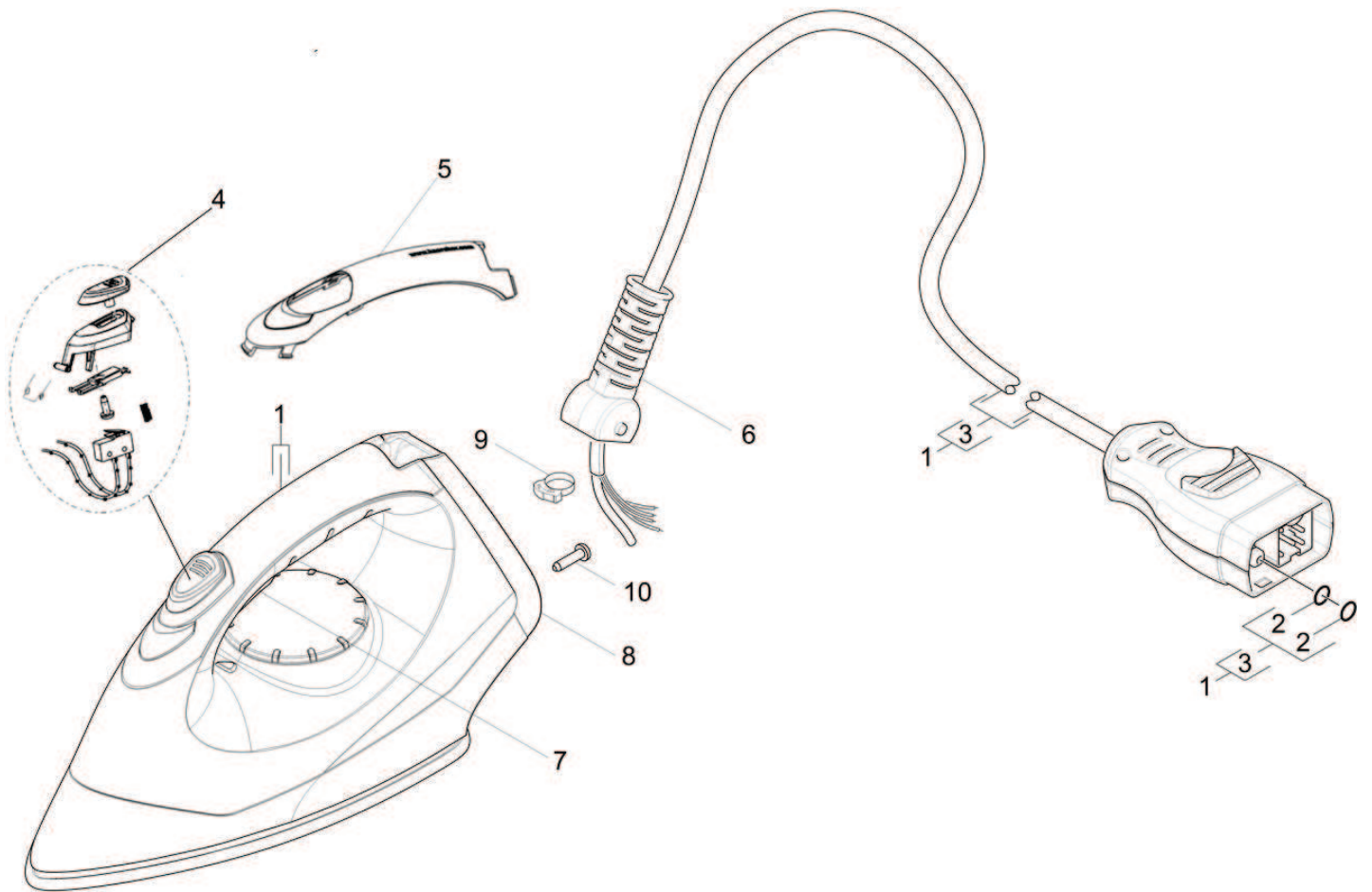
POS	Article no.	Description	Quantity	Unit
4	6.362-922.0	O-Ring seal 8,73x1,78	1.000	ST
3	5.037-220.0	Snap-fit	1.000	ST



13 Power nozzle (2.884-282.0)

---

POS	Article no.	Description	Quantity	Unit
2	6.362-924.0	O-Ring seal 6,02X 2,62	1.000	ST





50 Smoothing iron

POS	Article no.	Description	Quantity	Unit
6	5.862-023.0	Bend protection I 6006 bk	1.000	ST
5	4.512-113.0	Covering cap handhold replacement yw	1.000	ST
9	6.389-993.0	Hose clip 7,5 - 9,0	1.000	ST
2	6.362-923.0	O-Ring seal 6,75X 1,78	2.000	ST
7	5.862-031.0	Pushbutton bottom I 6006 bk	1.000	ST
8	6.862-000.0	Rear panel smoothing iron replacement I	1.000	ST
10	7.303-092.0	Screw 3x12 -10.9-R2R (K-In6Rd)	1.000	ST
4	4.862-006.0	Set pushbutton smoothing iron I 6006	1.000	ST
1	2.863-218.0	Smoothing iron special accessories I 600	1.000	ST
	<i>Item text1:</i> 1.439-153.0			
1	2.863-208.0	Smoothing iron special accessories I 600	1.000	ST
	<i>Item text1:</i> 1.439-130.0 / -131.0 /-132.0 /-133.0 /			
	<i>Item text2:</i> -150.0 /-151.0 /-152.0			
3	4.322-010.0	Steam hose complete replacement I 6006 w	1.000	ST