

Spare parts list

(1.447-053.0) K 7 Compact Home *EU

Table of contents

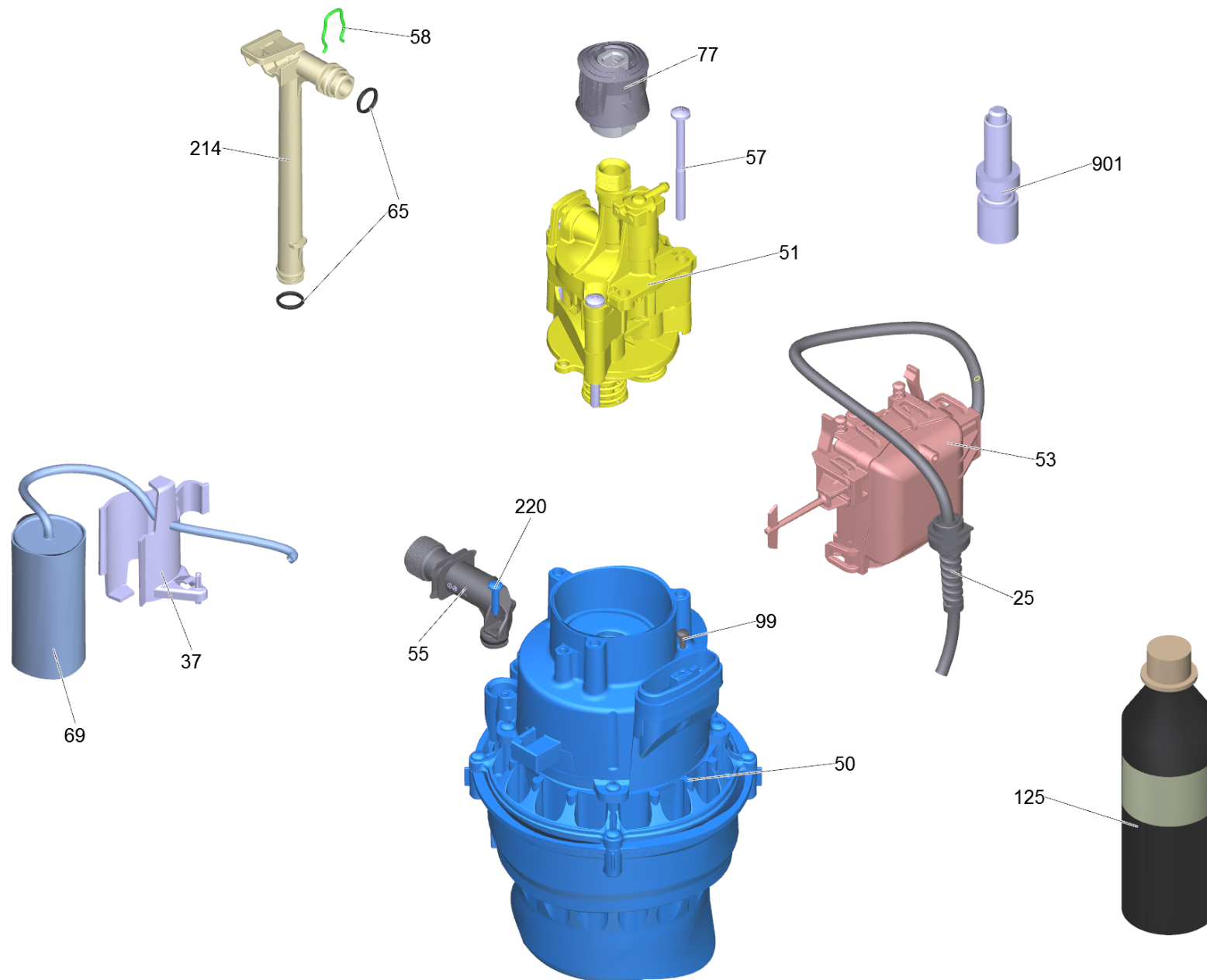
K 7 Compact Home *EU (1.447-053.0)	4
2 Pump set K7 TCompact	6
50 Transmission for replacement K7 *EU (4.551-254.3)	8
51 Pump head complete	10
101 Piston guidance complete	12
102 Cylinder head alluminio completo (c/imballo) (9.002-525.0)	14
104 Valve pin complete (4.584-022.0)	15
105 Plug complete (4.580-702.0)	17
114 Nozzle insert only for replacement (4.769-034.0)	19
999 Spare parts set excess-current (2.885-186.0)	21
103 Control piston complete replacement (2.885-408.0)	23
53 Spare parts set electric box (2.885-189.0)	25
53 Electric box complete	27
55 Set pipe intake (4.100-704.0)	29
901 Tool (2.901-048.0)	31
3 DB 180 Dirt Blaster (packaged) (2.642-729.0)	33
10 G 180 Q Trigger gun Quick Connect (2.642-889.0)	35
11 VP 180 jet pipe packaged (2.642-726.0)	37
14 Handhold complete	39
16 H 10 Q Flex PremiumFlex Anti-Twist (2.643-585.0)	41
902 Spare parts T450 & T7	43
10 T 450 T-Racer Surface Cleaner (2.643-214.0)	45
100 Spare parts list T 450 (5.972-951.0)	46
1 Single-step jet pipe extension (2.643-240.0)	48
3 Spare parts rotor complete (2.885-406.0)	50
5 Rotor complete	52
4 Bearing support completely T 400	54
1 Adapter complete	56
2 Spare parts nozzles T-Racer (2.643-338.0)	58
5 Spare parts nozzles T-Racer (2.643-338.0)	61
20 T 7 Plus (2.644-074.0)	64
1 T 7 Plus kpl.	66
2 Bearing support complete	68
1 Adapter complete	70
901 replacement nozzles T-Racer (2.644-081.0)	72
901 replacement nozzles T-Racer (2.644-081.0)	74
2 Single-step jet pipe extension (2.643-240.0)	76
999 T 7 appliances supplement	78

Table of contents

2 Bearing support complete	80
1 Adapter complete	82
901 replacement nozzles T-Racer (2.644-081.0)	84
901 replacement nozzles T-Racer (2.644-081.0)	86

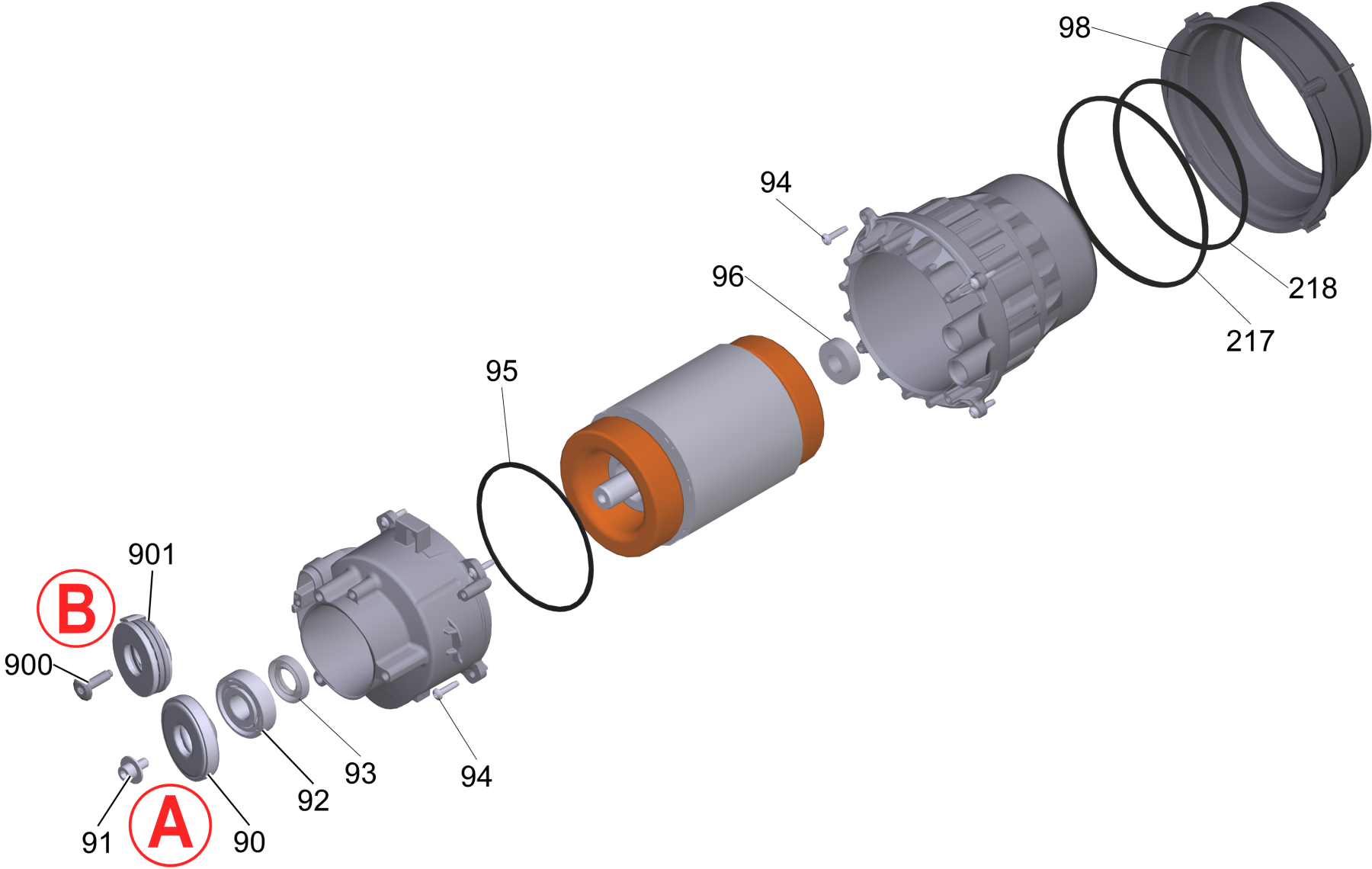
K 7 Compact Home *EU (1.447-053.0)

POS	Article no.	Description	Quantity	Unit	Foot note text
27	5.105-675.0	Axle L=255mm	1	PC	
19	5.036-327.3	Chassis rear for replacement K7 NCR	1	PC	
13	6.465-031.0	Connection 3/4	1	PC	
901	9.013-788.3	Cover complete K7 Compact	1	PC	
3	2.642-729.0	DB 180 Dirt Blaster (packaged)	1	PC	
194	5.731-652.0	Filter with weight	1	PC	
196	9.038-548.0	Flow reducer detergent	1	PC	
10	2.642-889.0	G 180 Q Trigger gun Quick Connect	1	PC	
16	2.643-585.0	H 10 Q Flex PremiumFlex Anti-Twist	1	PC	
14		Handhold complete	1	PC	
33	9.038-808.0	Handhold switch	1	PC	
31	5.322-164.0	Holder pump set	1	PC	
108	6.388-216.0	Hose DN 5 (PVC)	0,7	m	
148	6.343-168.0	Lock washer	2	PC	
2		Pump set K7 TCompact	1	PC	
36	9.048-179.0	Rubber fixing accessories NCR	2	PC	
79	9.086-221.0	Screw ATF 4.1x22	14	PC	
21	2.885-473.0	Spare parts set screen wheel	1	PC	SET OF 2 PIECES
902		Spare parts T450 & T7	1	PC	
28	5.379-002.3	Strap for replacement	1	PC	
11	2.642-726.0	VP 180 jet pipe packaged	1	PC	
35	5.387-620.0	Warning sign new	1	PC	
20	5.515-071.0	Wheel D200	2	PC	



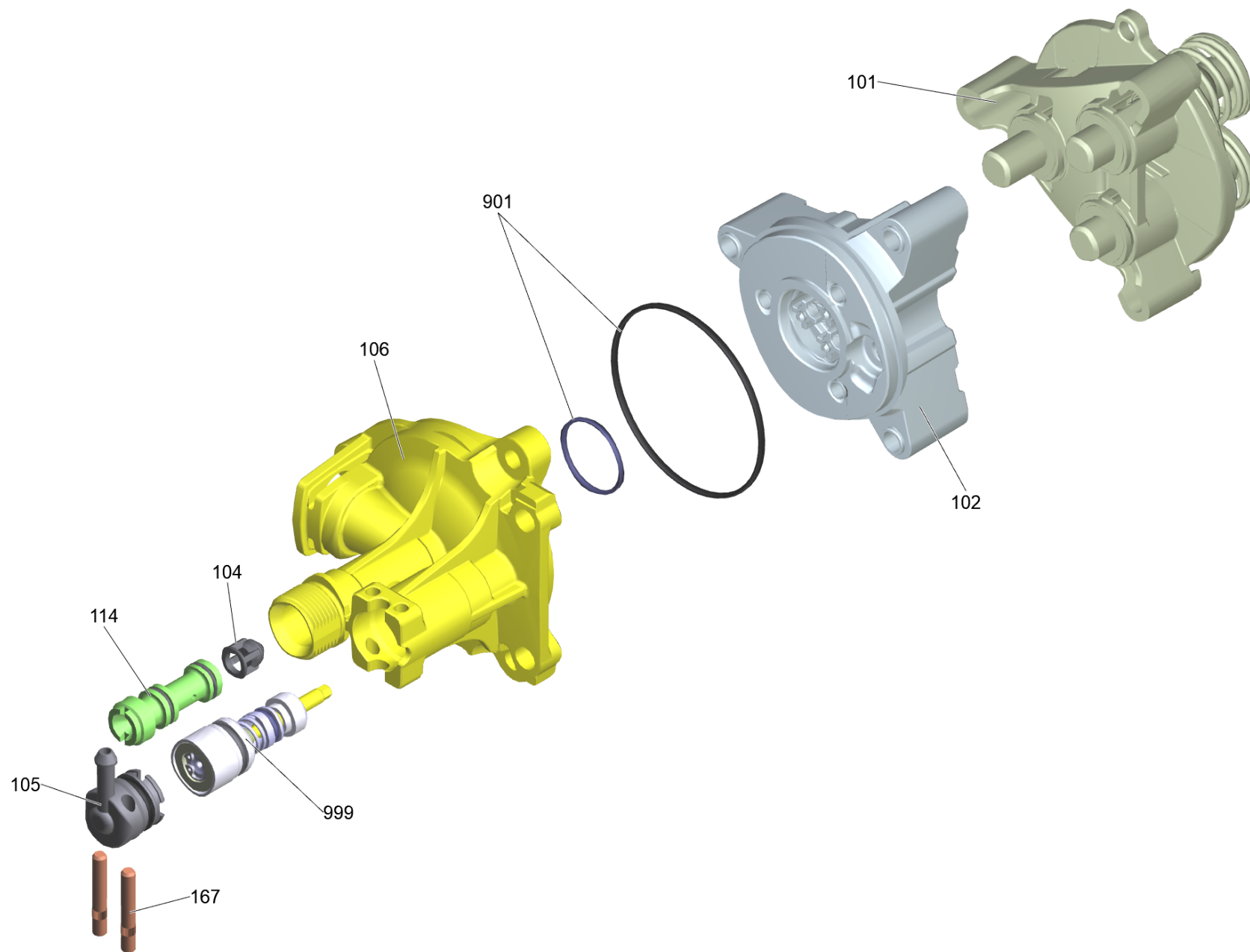
2 Pump set K7 TCompact

POS	Article no.	Description	Quantity	Unit
25	6.649-740.0	Cable with plug *EU	1	PC
69	9.002-614.0	Capacitor replacement 6.661-288.0	1	PC
58	5.048-915.0	Clamp	1	PC
125	6.288-050.0	Engine oil 1L	1	PC
77	4.470-041.0	High pressure quick-fitting pipe union A	1	PC
37	5.322-313.0	Holder capacitor	1	PC
65	6.363-610.0	O-Ring seal 13 x 3 -NBR	1	PC
51		Pump head complete	1	PC
99	7.303-031.0	Screw M4x10 -St-P2R (In6Rd)	1	PC
220	6.303-320.0	Screw M 5x 20-St-R2R	1	PC
57	6.303-042.0	Screw M6x80	3	PC
55	4.100-704.0	Set pipe intake	1	PC
53	2.885-189.0	Spare parts set electric box	1	PC
901	2.901-048.0	Tool	1	PC
50	4.551-254.3	Transmission for replacement K7 *EU	1	PC
214	5.443-654.0	Tube Ruecklauf WCM K7 D117	1	PC



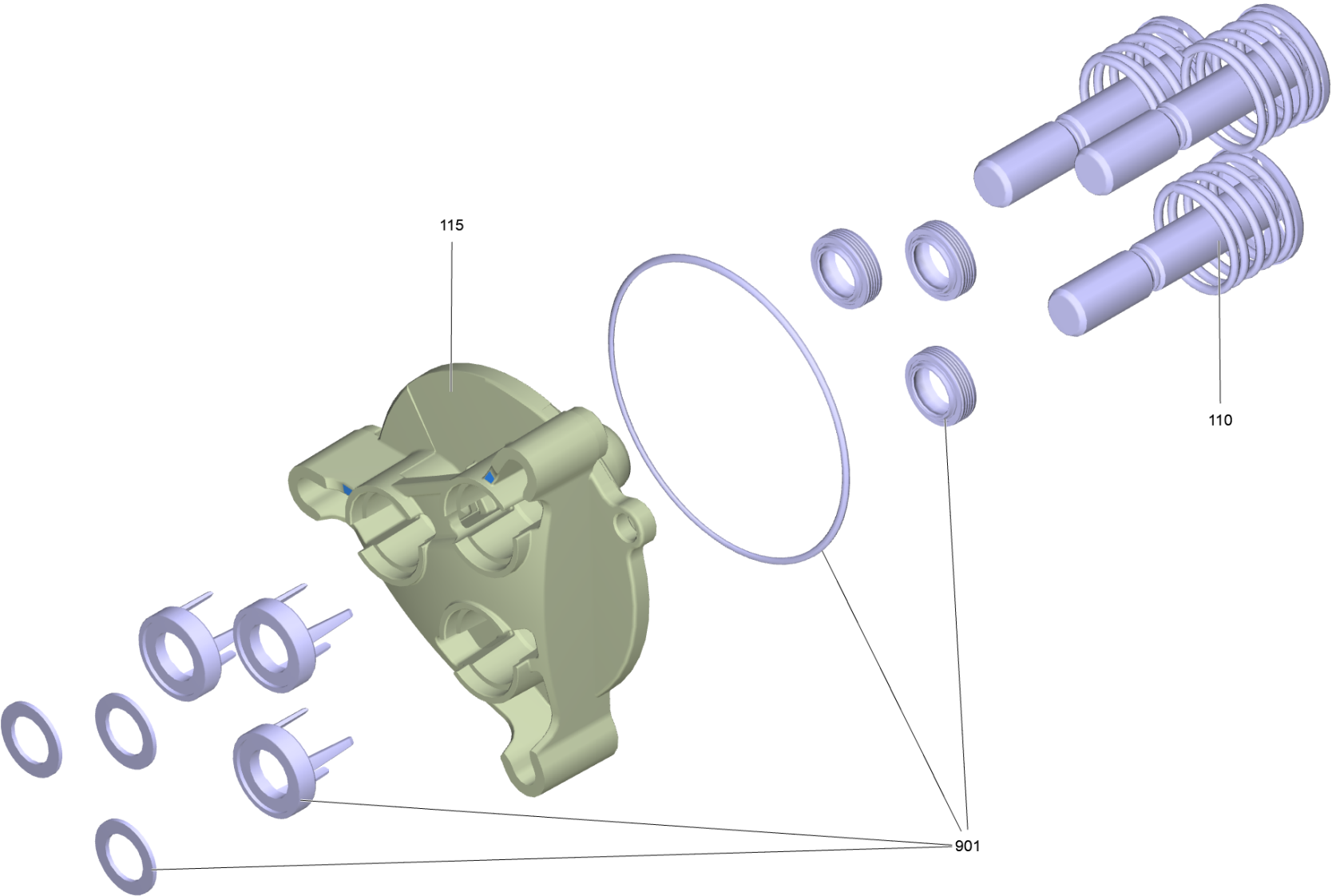
50 Transmission for replacement K7 *EU (4.551-254.3)

POS	Article no.	Description	Quantity	Unit	Remark	Foot note text
92	6.401-427.3	Angular contact ball bearing	1	PC		
96	4.401-198.0	Ball bearing 6202-2RS -Wälzl.St DIN 625	1	PC		
95	5.363-590.0	Joint ring	1	PC	THICKNESS:0,8mm / DICKE:0,8mm	VERSION 1
95	5.363-453.0	Joint ring D116 x 1,8	1	PC	THICKNESS:1,8mm / DICKE:1,8mm	VERSION 2
217	6.363-593.0	O-Ring seal 146x5 EPDM	1	PC		
218	6.363-647.0	O-Ring seal D130x5	1	PC		
98	5.093-422.0	Outer covering water flow K7 WCM	1	PC		
93	6.367-051.0	Rotary shaft seal -20X37X8 NBR	1	PC		
90	9.002-541.0	Rotor disc oscillante	1	PC		VERSION A
94	6.303-320.0	Screw M 5x 20-St-R2R	8	PC		
900	6.304-077.0	Screw wobble plate M8x34	1	PC		VERSION B
901	4.120-020.3	Wobble plate complete 13° G7/2-L	1	PC		VERSION B
91	9.086-169.0	Wobble plate screw M8x16	1	PC		VERSION A



51 Pump head complete

POS	Article no.	Description	Quantity	Unit
102	9.002-525.0	Cylinder head alluminio completo (c/imballo)	1	PC
106	5.062-149.0	Housing	1	PC
114	4.769-034.0	Nozzle insert only for replacement	1	PC
167	5.314-150.0	Pin	2	PC
101		Piston guidance complete	1	PC
105	4.580-702.0	Plug complete	1	PC
999	2.885-186.0	Spare parts set excess-current	1	PC
901	4.100-834.0	Spare parts set seals	1	PC
104	4.584-022.0	Valve pin complete	1	PC

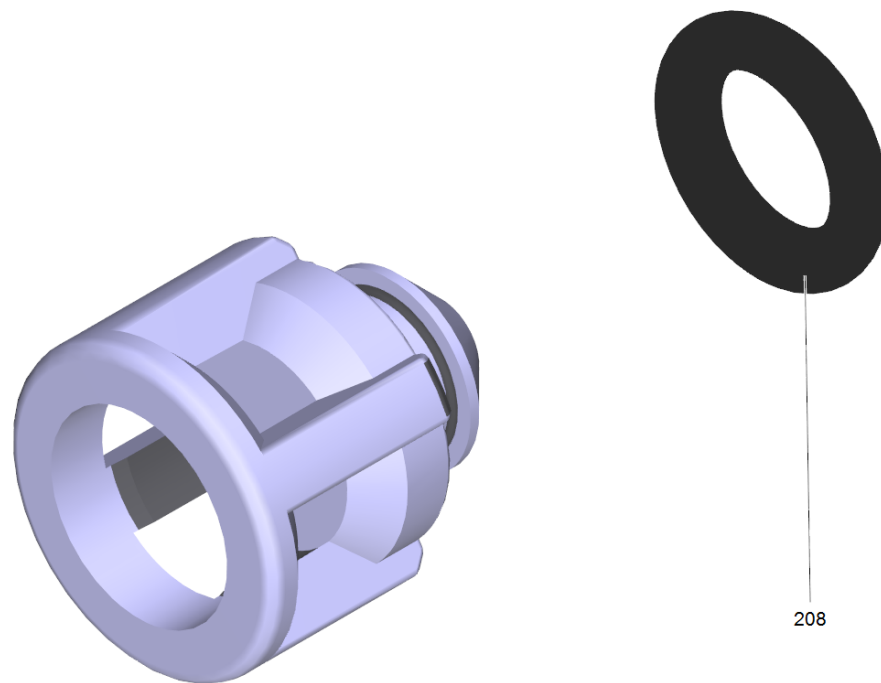


101 Piston guidance complete

POS	Article no.	Description	Quantity	Unit
110	9.002-522.0	Piston completo K7 (c/imballo)	3	PC
115	5.062-655.0	Piston guidance K7	1	PC
901	4.100-834.0	Spare parts set seals	1	PC

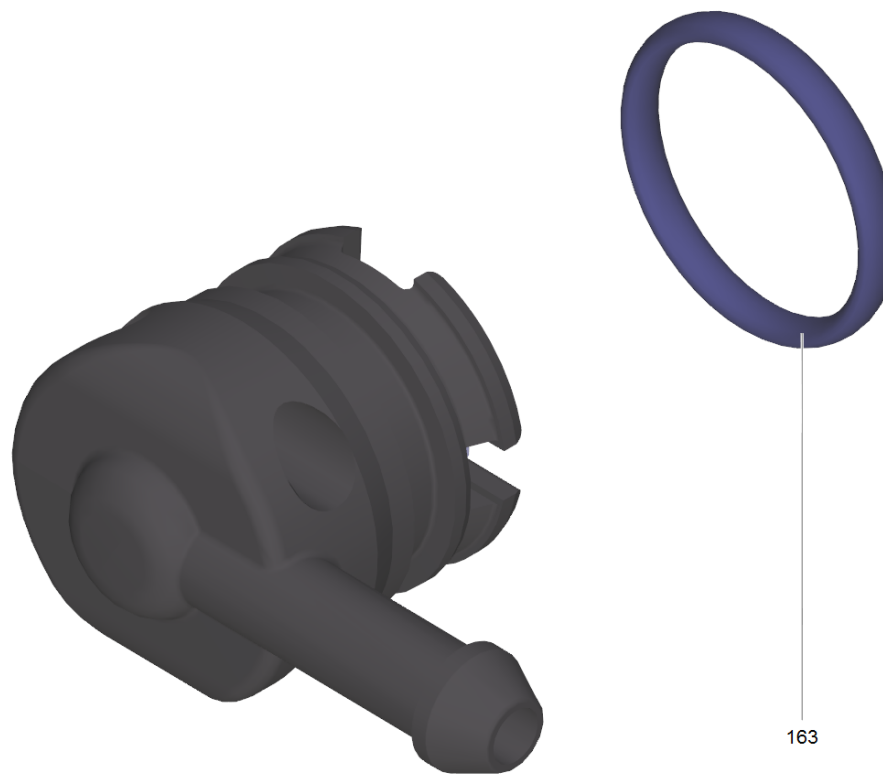
102 Cylinder head alluminio completo (c/imballo) (9.002-525.0)

POS	Article no.	Description	Quantity	Unit
149	6.363-748.0	Grooved ring	3	PC



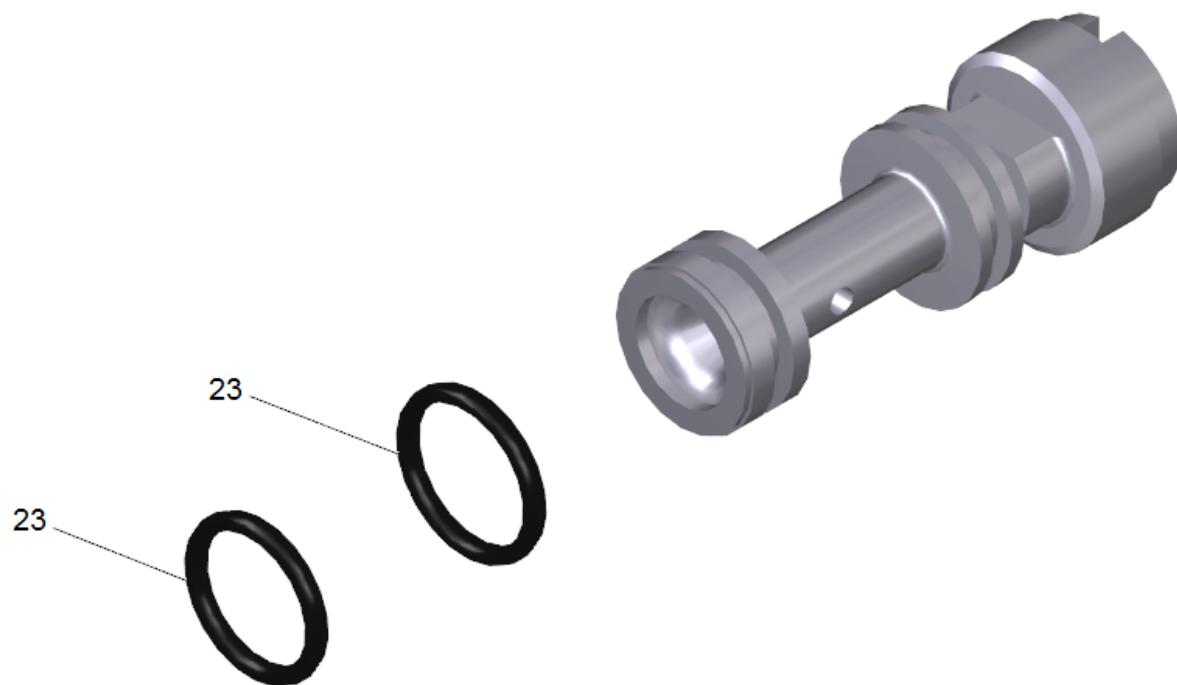
104 Valve pin complete (4.584-022.0)

POS	Article no.	Description	Quantity	Unit
208	6.363-613.0	O-Ring seal 4 x 2 -NBR90	1	PC



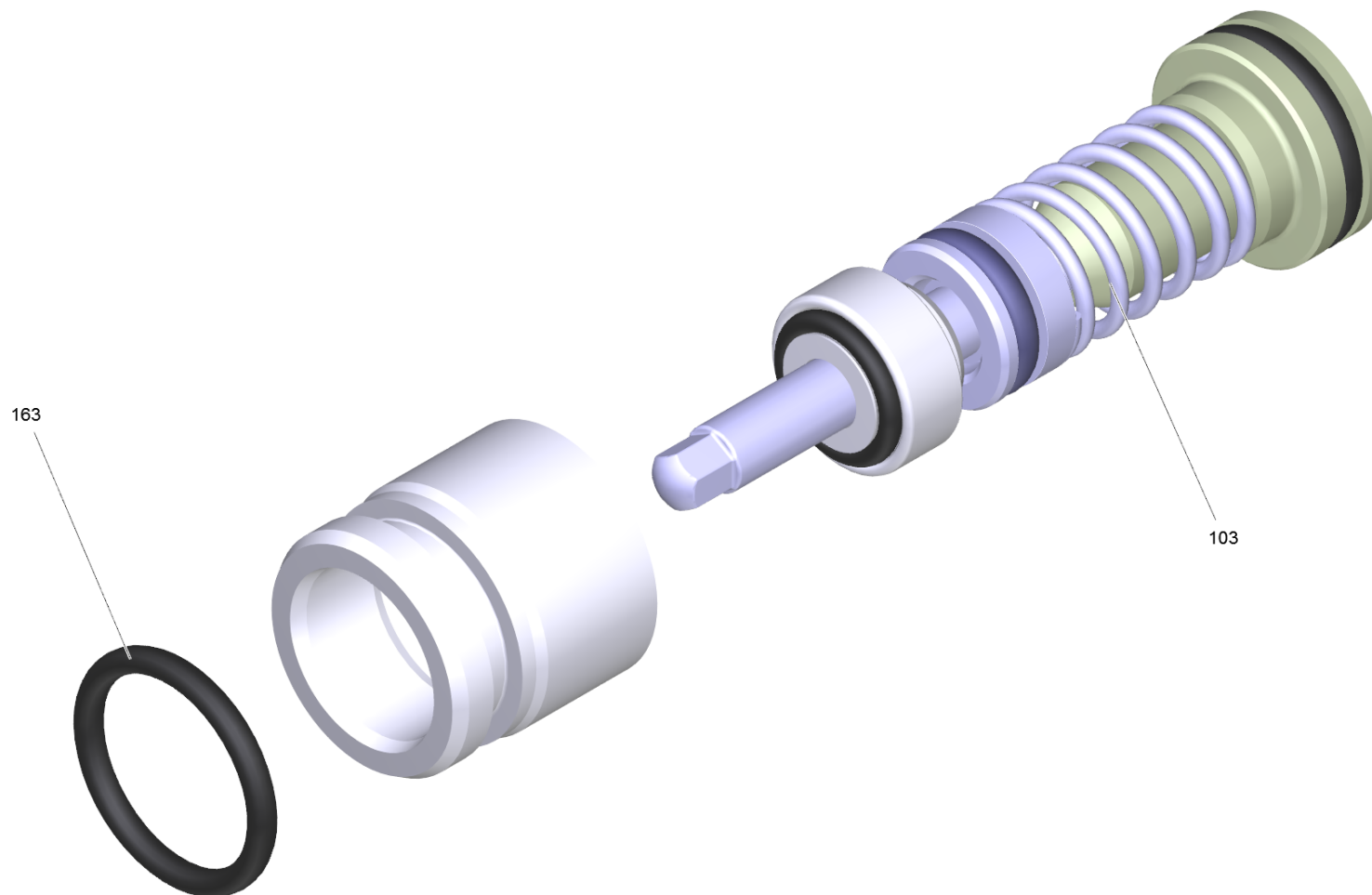
105 Plug complete (4.580-702.0)

POS	Article no.	Description	Quantity	Unit
163	6.362-030.0	O-Ring seal 15x2 90 Shore IRHD	1	PC



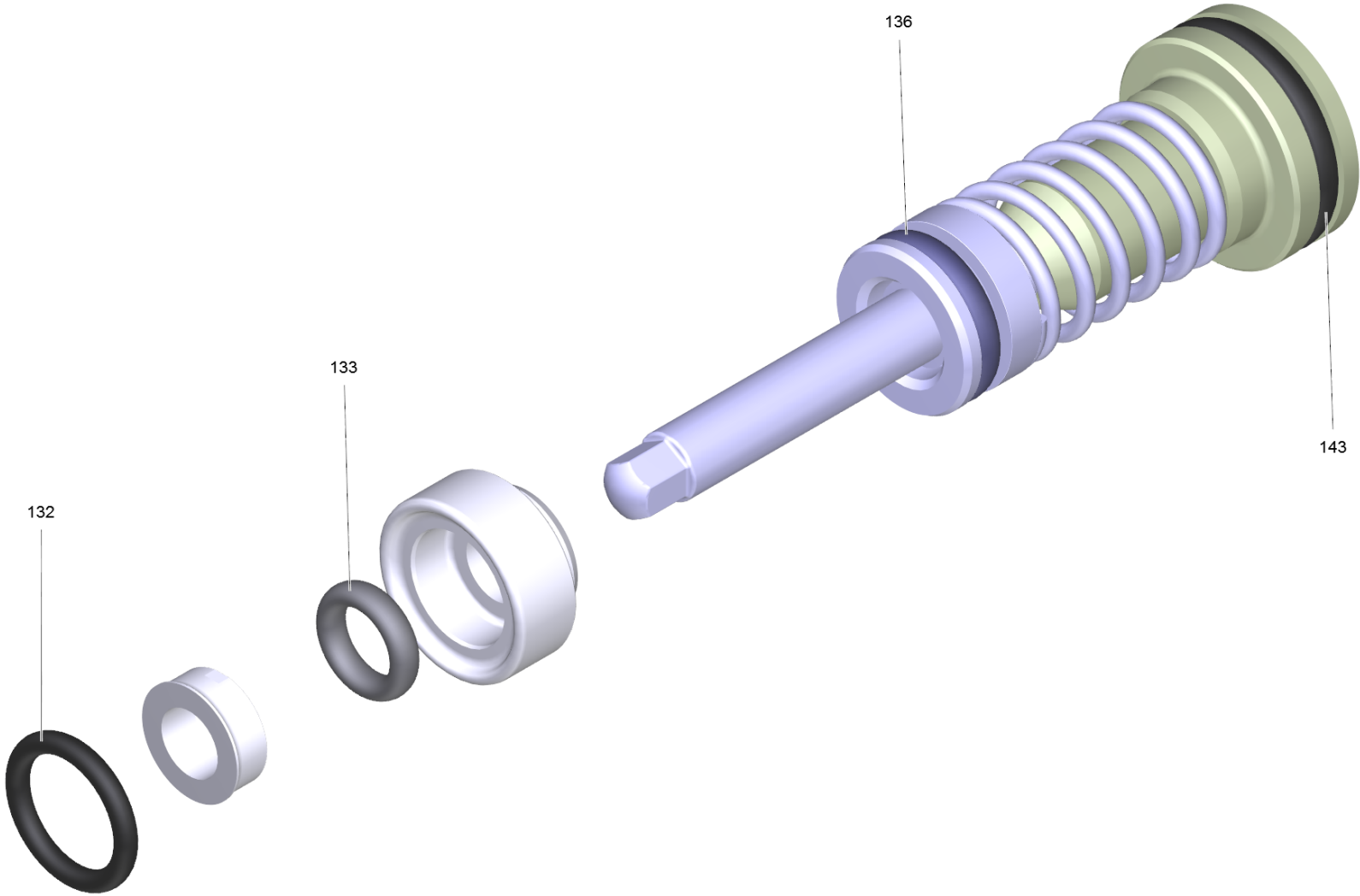
114 Nozzle insert only for replacement (4.769-034.0)

POS	Article no.	Description	Quantity	Unit
23	6.362-384.0	O-Ring seal 9x1,5 - NBR 70	2	PC



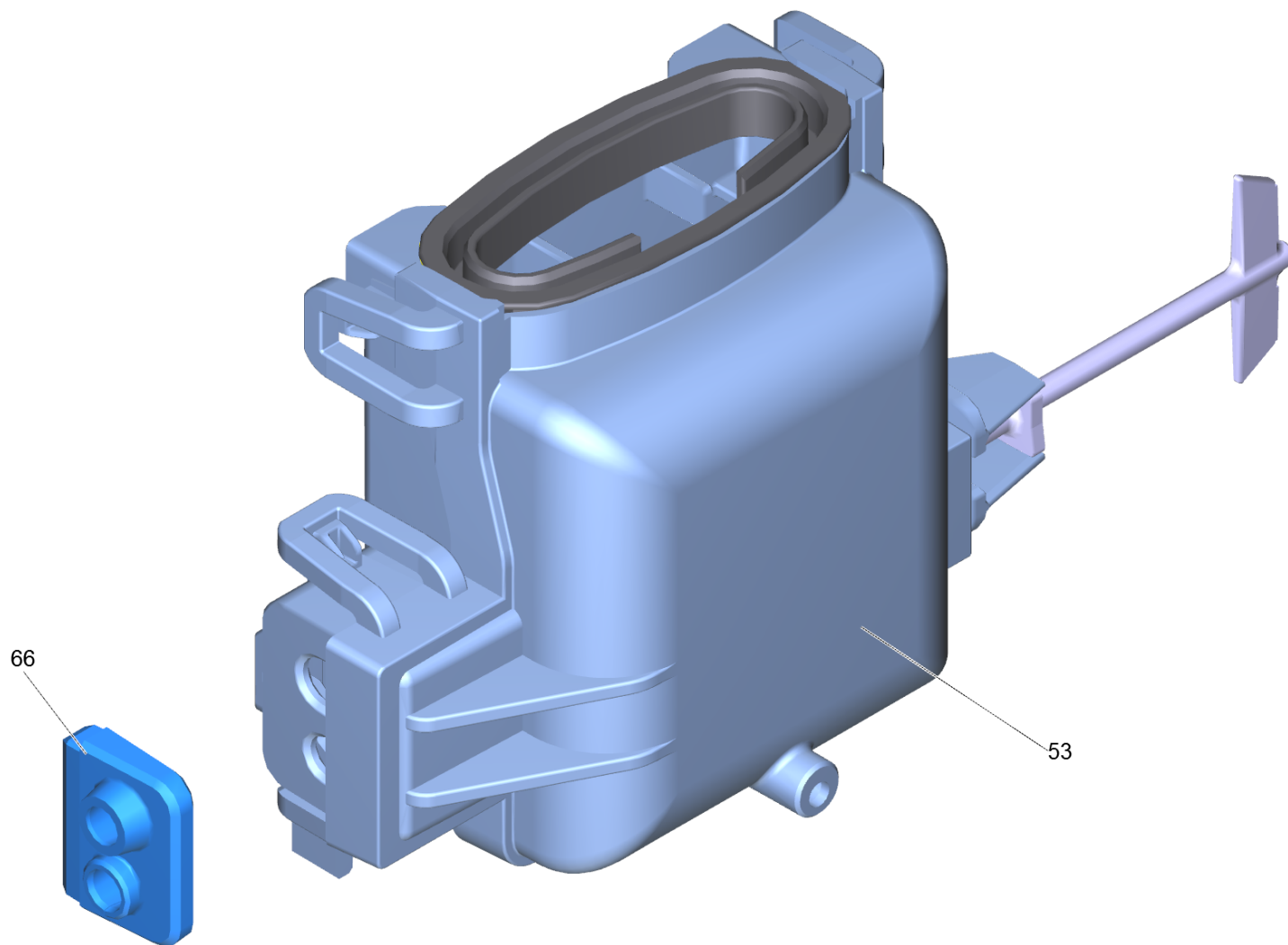
999 Spare parts set excess-current (2.885-186.0)

POS	Article no.	Description	Quantity	Unit
103	2.885-408.0	Control piston complete replacement	1	PC
163	6.362-030.0	O-Ring seal 15x2 90 Shore IRHD	1	PC



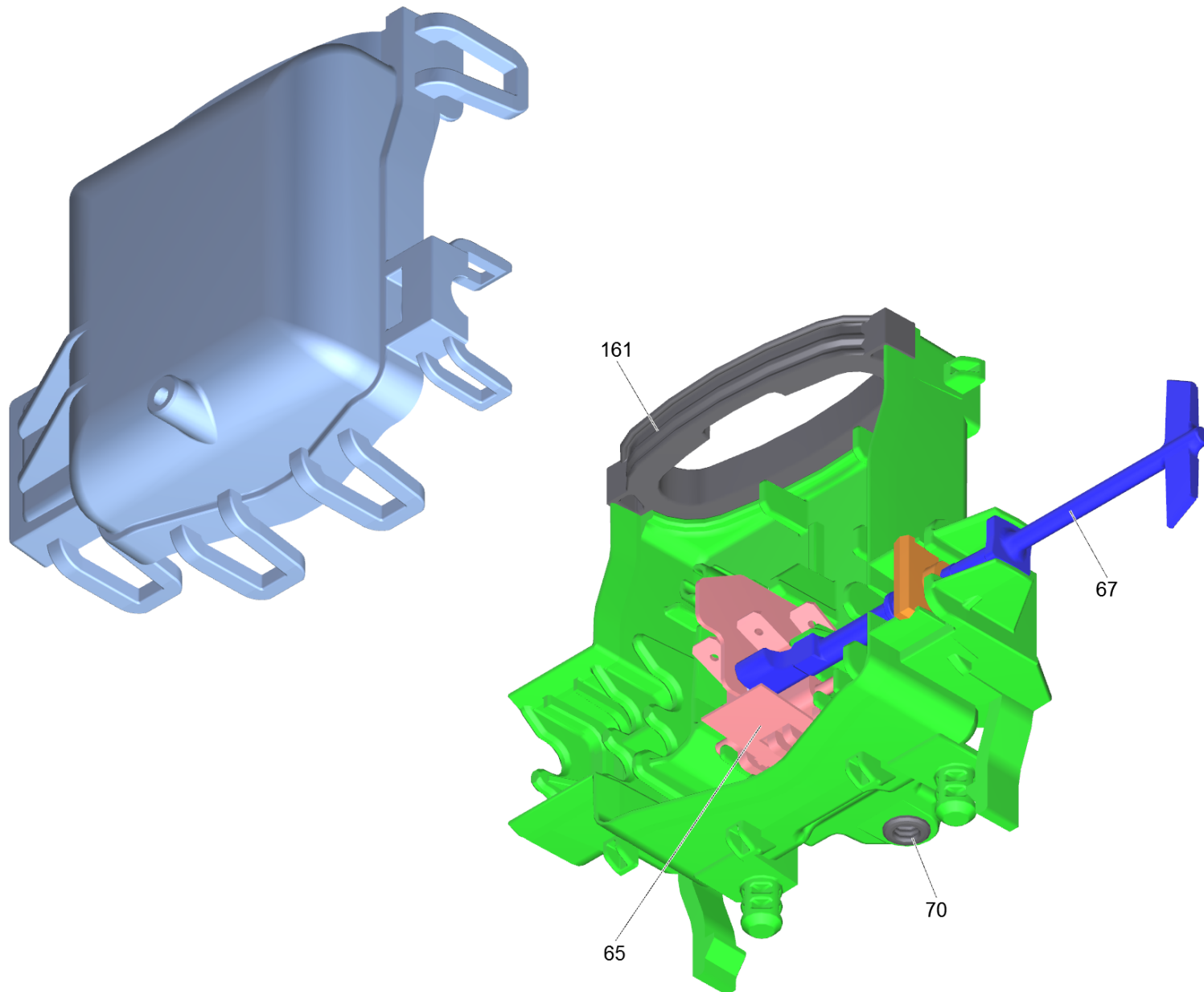
103 Control piston complete replacement (2.885-408.0)

POS	Article no.	Description	Quantity	Unit
133	6.363-606.0	O-Ring seal 4,7 x 1,9 -NBR70	1	PC
132	6.362-101.0	O-Ring seal 8 X 2	1	PC
136	6.363-614.0	O-Ring seal 9 x 2 -NBR90	1	PC
143	6.362-381.0	O-Ring seal 13x2 - NBR 70	1	PC



53 Spare parts set electric box (2.885-189.0)

POS	Article no.	Description	Quantity	Unit
53		Electric box complete	1	PC
40	7.303-235.0	Screw M6x50 -St-A2K (In6Rd)	2	PC
66	5.363-744.0	Seal cable	1	PC



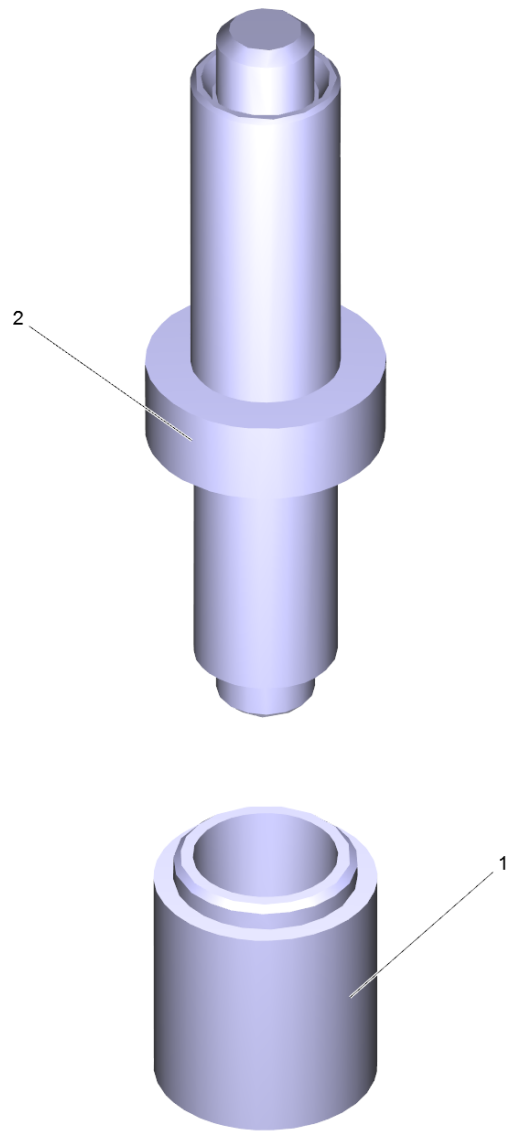
53 Electric box complete

POS	Article no.	Description	Quantity	Unit
65	6.961-079.3	Micro switch	1	PC
70	5.363-749.0	Seal control piston	1	PC
161	5.363-761.0	Seal label	1	PC
67	2.885-190.0	Selector shaft spare parts set	1	PC



55 Set pipe intake (4.100-704.0)

POS	Article no.	Description	Quantity	Unit
1	5.731-011.0	Fine filter	1	PC
3	6.363-610.0	O-Ring seal 13 x 3 -NBR	1	PC



901 Tool (2.901-048.0)

POS	Article no.	Description	Quantity	Unit
2	5.901-224.0	Assembly mandril A=16,8-B=11,5mm	1	PC
1	5.901-223.0	Fitting case C=21,4- D=16,9mm	1	PC



3 DB 180 Dirt Blaster (packaged) (2.642-729.0)

POS	Article no.	Description	Quantity	Unit
1	2.640-729.0	O-Ring seal set	1	PC



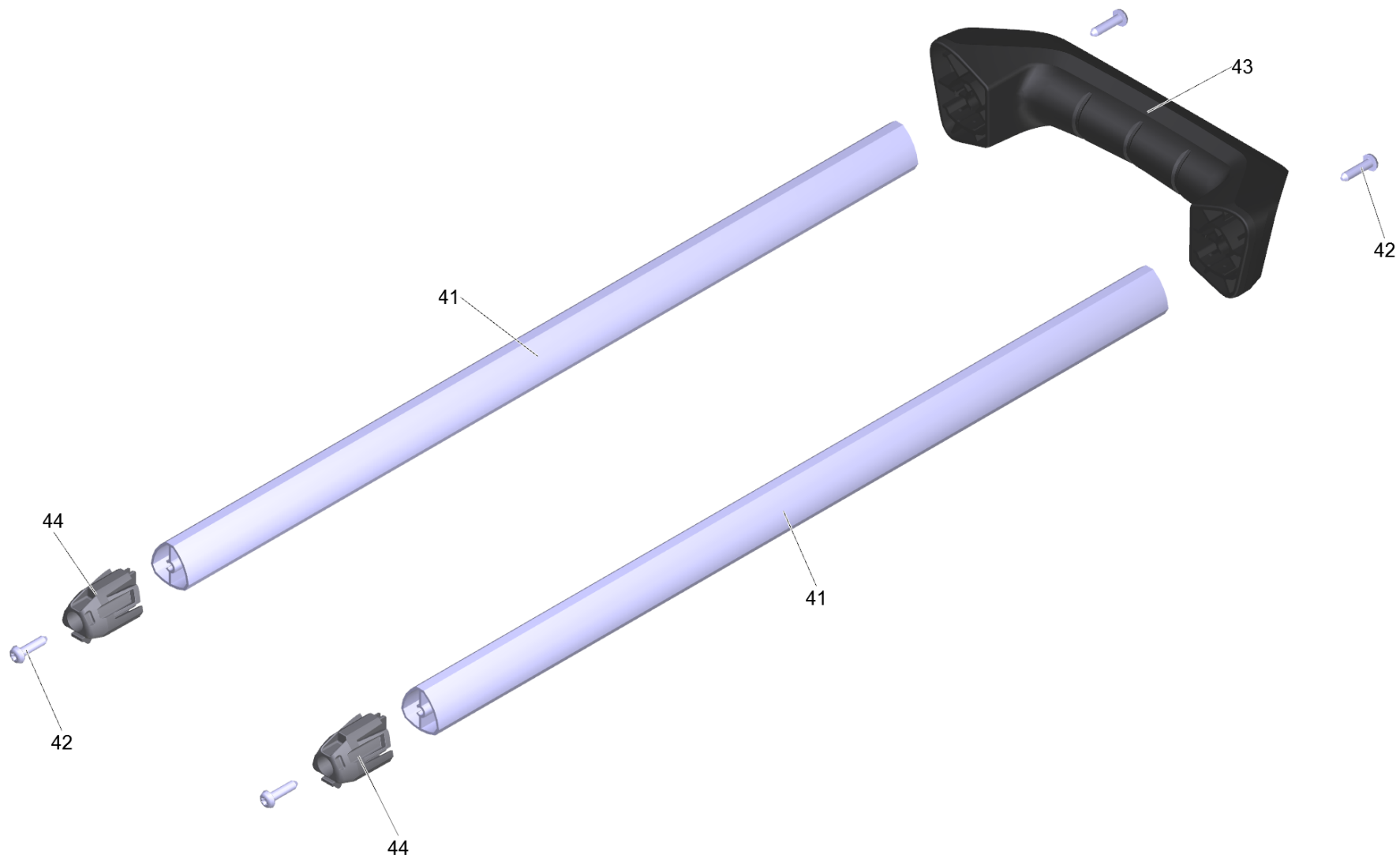
10 G 180 Q Trigger gun Quick Connect (2.642-889.0)

POS	Article no.	Description	Quantity	Unit
1	5.332-464.0	Pressure spring	1	PC



11 VP 180 jet pipe packaged (2.642-726.0)

POS	Article no.	Description	Quantity	Unit
1	2.640-729.0	O-Ring seal set	1	PC



14 Handhold complete

POS	Article no.	Description	Quantity	Unit
44	9.038-640.0	End piece	2	PC
43	5.322-163.0	Hand grip	1	PC
41	9.042-171.3	Handle bar for replacement	2	PC
42	9.086-220.0	Screw ST.4x17 P2R	4	PC



16 H 10 Q Flex PremiumFlex Anti-Twist (2.643-585.0)

POS	Article no.	Description	Quantity	Unit
999	2.640-729.0	O-Ring seal set	1	PC

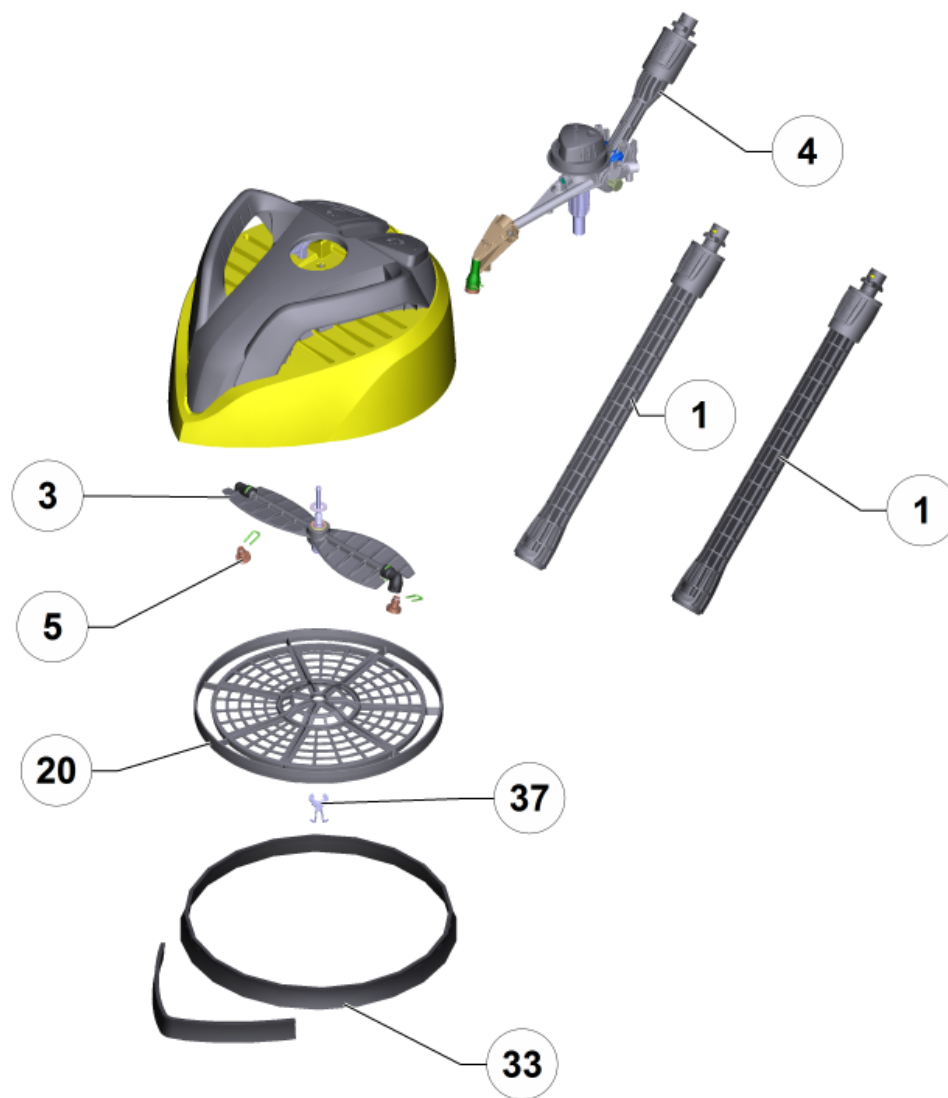


902 Spare parts T450 & T7

POS	Article no.	Description	Quantity	Unit
20	2.644-074.0	T 7 Plus	1	PC
10	2.643-214.0	T 450 T-Racer Surface Cleaner	1	PC

10 T 450 T-Racer Surface Cleaner (2.643-214.0)

POS	Article no.	Description	Quantity	Unit
100	5.972-951.0	Spare parts list T 450	1	PC



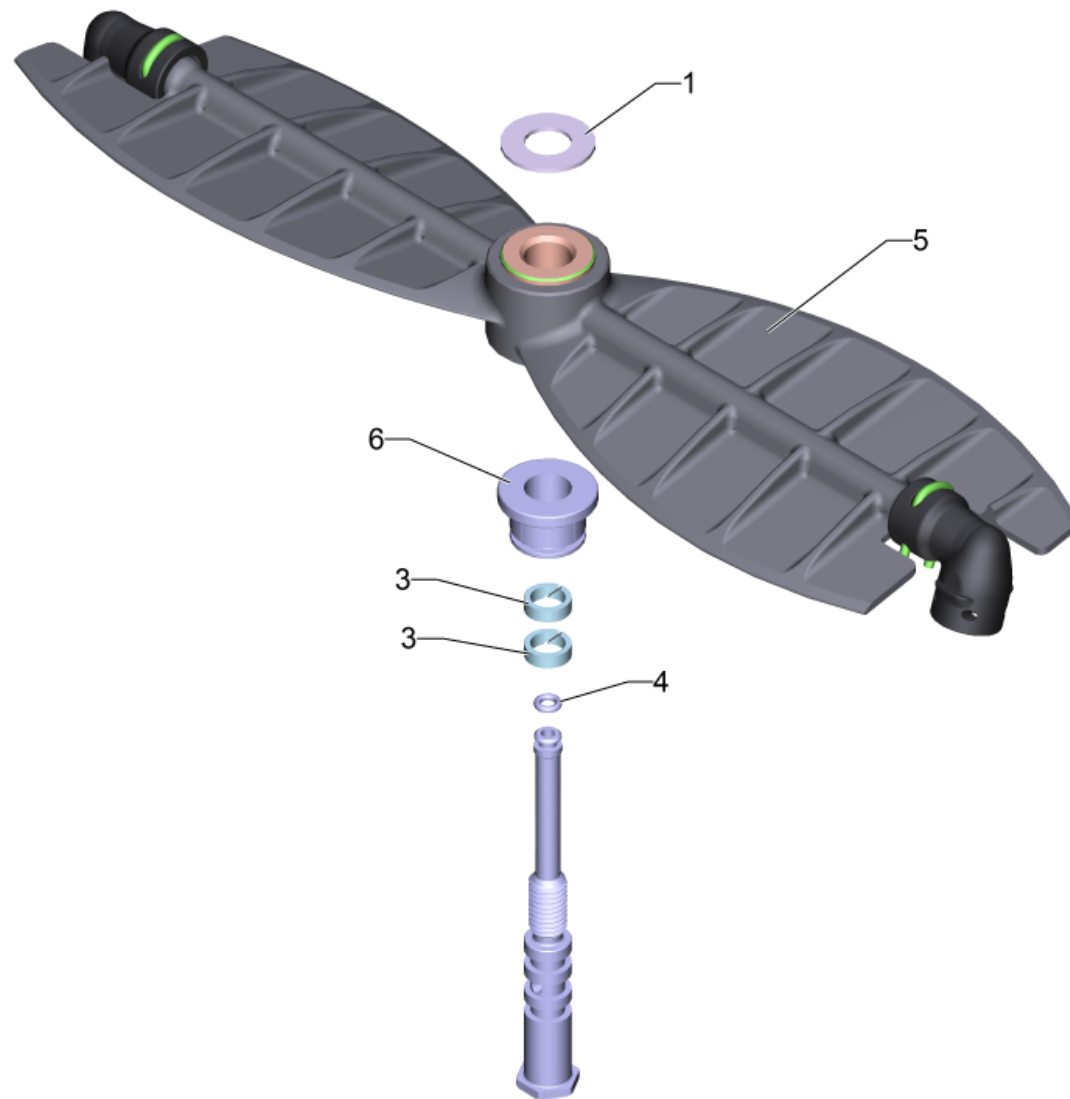
100 Spare parts list T 450 (5.972-951.0)

POS	Article no.	Description	Quantity	Unit
4		Bearing support completely T 400	1	PC
20	5.394-873.0	Grate T 400 Plus	1	PC
37	7.343-206.0	Lock washer 12-2.1030 DIN 6799	1	PC
1	2.643-240.0	Single-step jet pipe extension	2	PC
33	2.885-097.0	Spare part set Bürsten T 400	1	PC
5	2.643-338.0	Spare parts nozzles T-Racer	1	PC
3	2.885-406.0	Spare parts rotor complete	1	PC



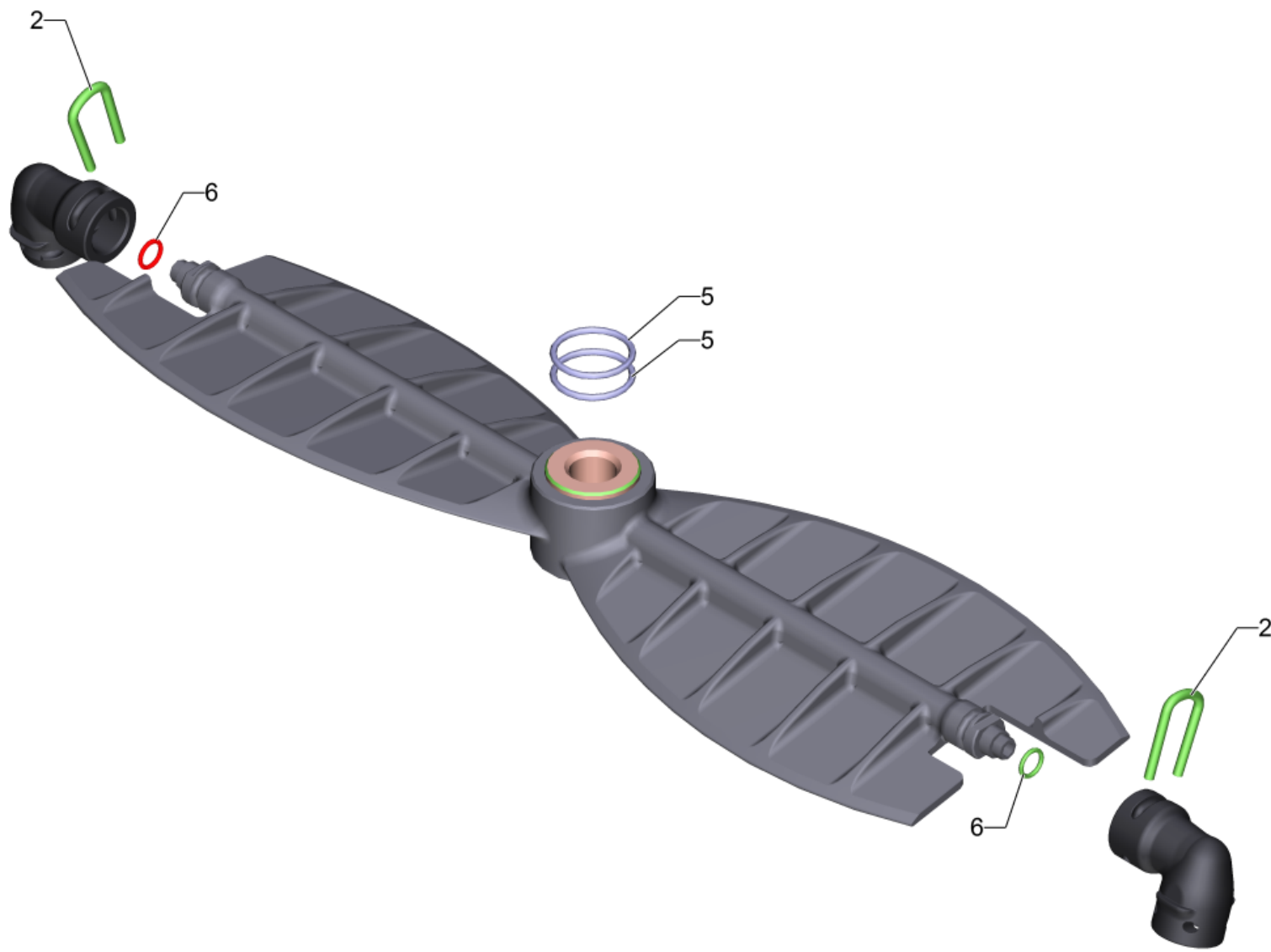
1 Single-step jet pipe extension (2.643-240.0)

POS	Article no.	Description	Quantity	Unit
10	5.310-160.0	Nut Kaercher	1	PC
3	2.640-729.0	O-Ring seal set	1	PC
8	5.332-464.0	Pressure spring	1	PC



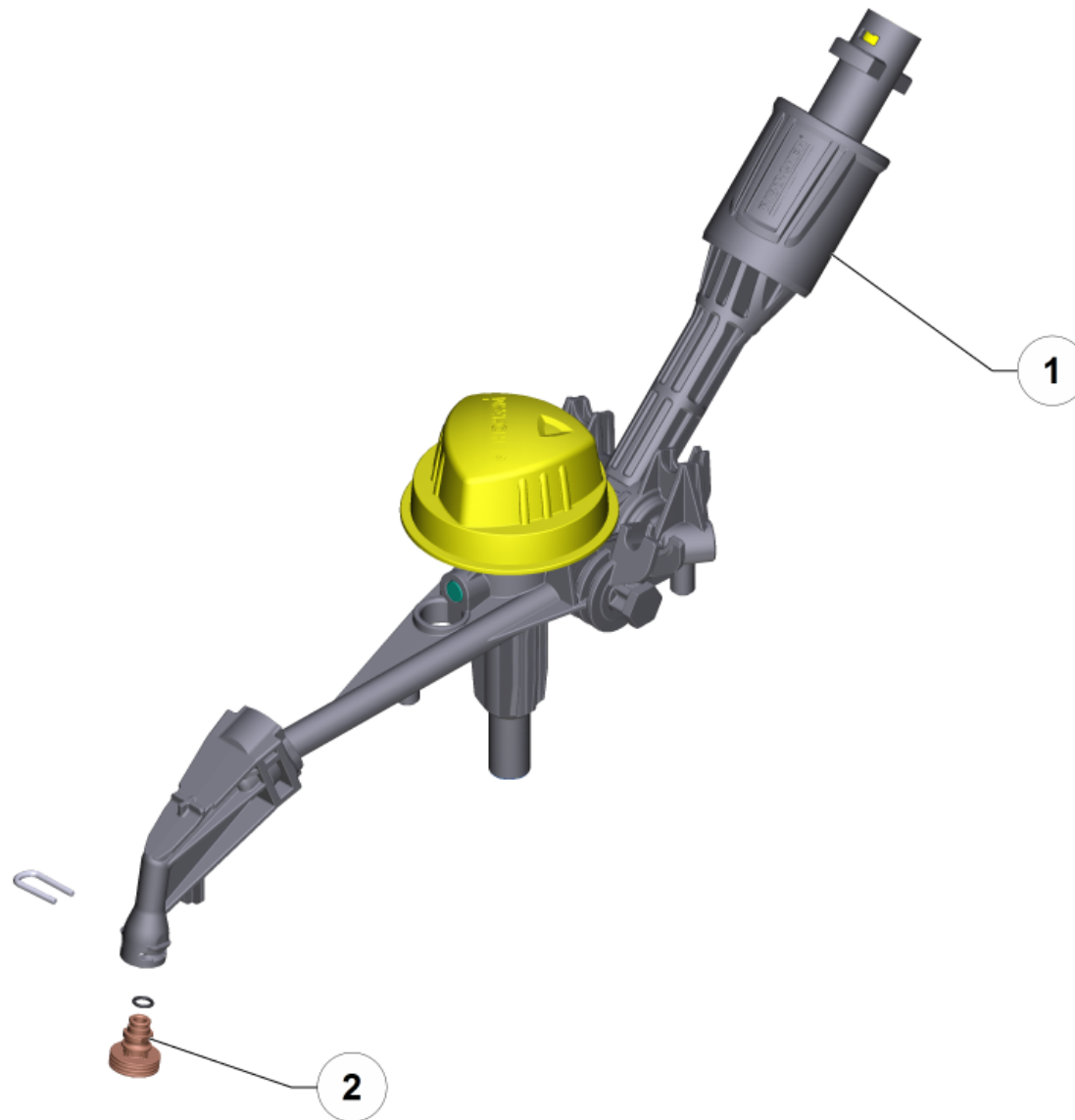
3 Spare parts rotor complete (2.885-406.0)

POS	Article no.	Description	Quantity	Unit
4	6.362-984.0	O-Ring d. 3 x 1,5 NBR 80	1	PC
5		Rotor complete	1	PC
3	5.363-412.0	Seal	2	PC
6	5.035-439.0	Sleeve	1	PC
1	5.115-971.0	Washer	2	PC



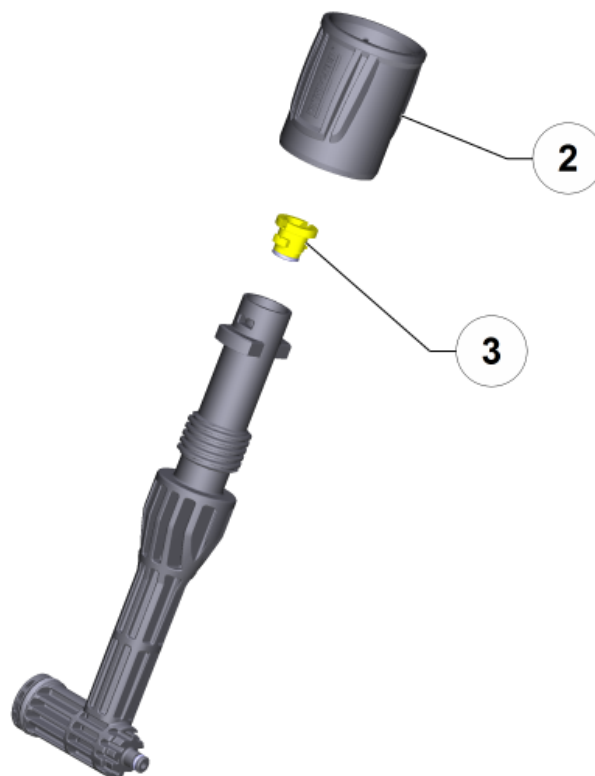
5 Rotor complete

POS	Article no.	Description	Quantity	Unit
2	5.037-151.0	Clamp	2	PC
6	6.362-661.0	O-Ring seal 5,0 X 1,0-NBR 80	2	PC
5	6.363-608.0	O-Ring seal 15x1,5 NBR 90	2	PC



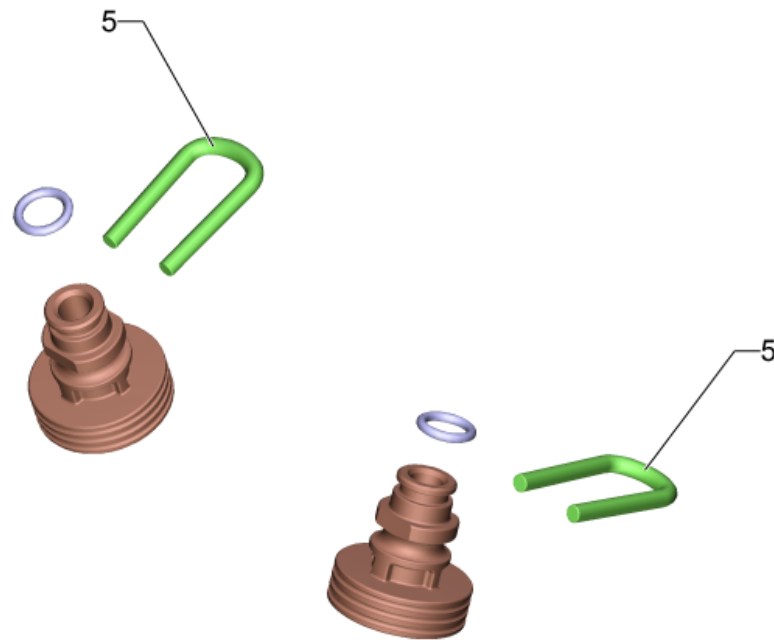
4 Bearing support completely T 400




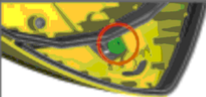




POS	Article no.	Description	Quantity	Unit
1		Adapter complete	1	PC
2	2.643-338.0	Spare parts nozzles T-Racer	1	PC









1 Adapter complete

POS	Article no.	Description	Quantity	Unit
2	5.310-160.0	Nut Kaercher	1	PC
3	2.640-729.0	O-Ring seal set	1	PC



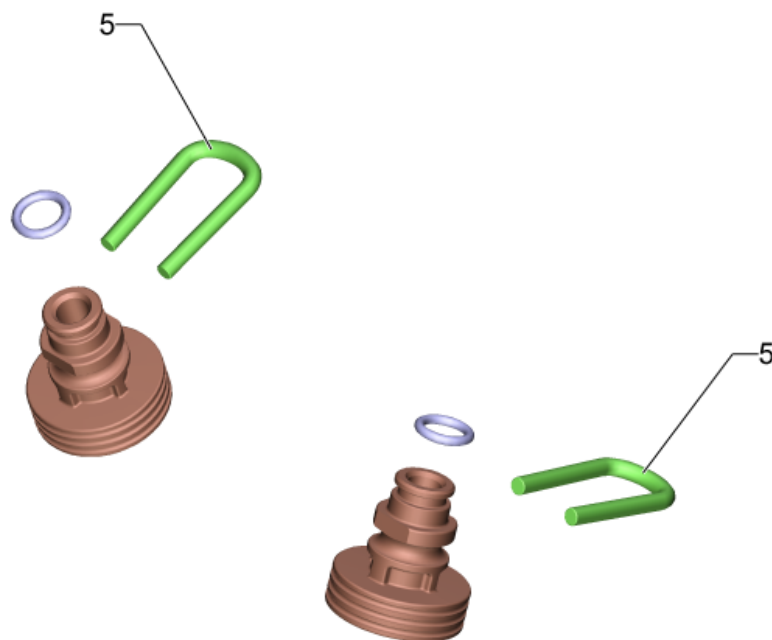
T 50, T 70, T 80, T 100 T 150, T 200, T 250, T 300, T 400, T 450, T 550	K 2 - K 5		
	K 6 - K 7		
T 400, T 450 T 550			
T 200, T 250	K 6 - K 7		
T 350 Gas			

	K 3 - K 5	
	K 6 - K 7	




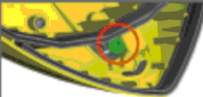




	K 2	
	K 3 - K 5	




2 Spare parts nozzles T-Racer (2.643-338.0)




POS	Article no.	Description	Quantity	Unit	Remark	Foot note text
5	5.037-151.0	Clamp	2	PC		
3		Nozzle complete 15027	1	PC		BLACK
		Item text1: 027				
4	4.764-190.0	Nozzle kpl. 75047	1	PC		GREEN
		Item text1: 047				
1	7.777-999.0	Stockpiling discontinued	1	PC	<13 MPa (<130 bar)	GREY
		Item text1: 015				
2	7.777-999.0	Stockpiling discontinued	1	PC	13 MPa (130 bar) - 16 MPa (160 bar)	YELLOW
		Item text1: 020				



5 Spare parts nozzles T-Racer (2.643-338.0)

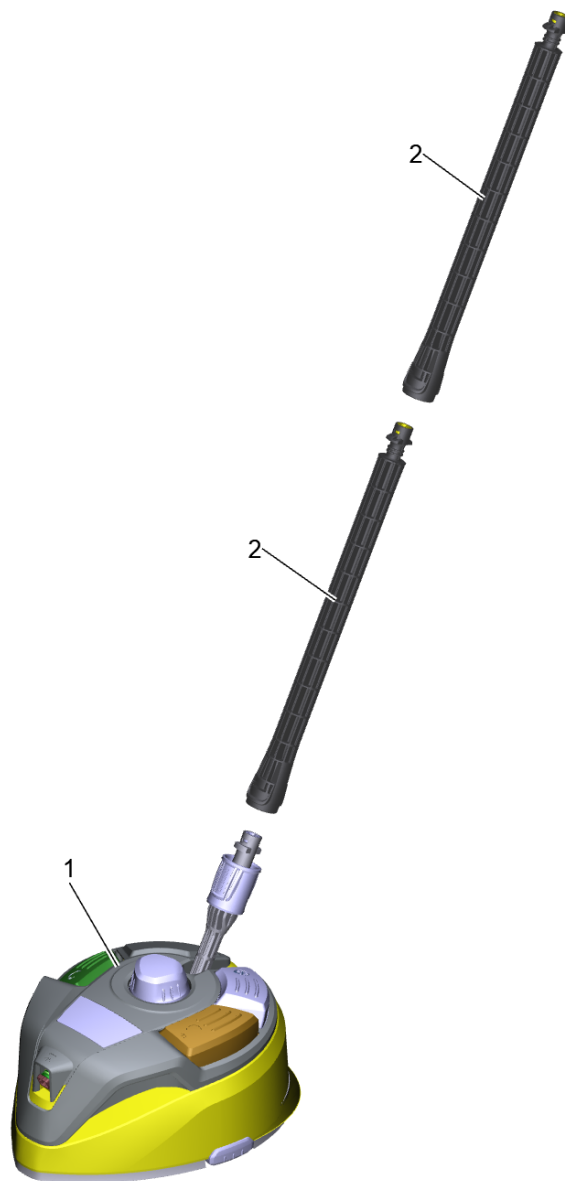
T 50, T 70, T 80, T 100 T 150, T 200, T 250, T 300, T 400, T 450, T 550	K 2 - K 5		
	K 6 - K 7		
T 400, T 450 T 550			
T 200, T 250	K 6 - K 7		
T 350 Gas			

	K 3 - K 5	
	K 6 - K 7	

	K 2	
	K 3 - K 5	

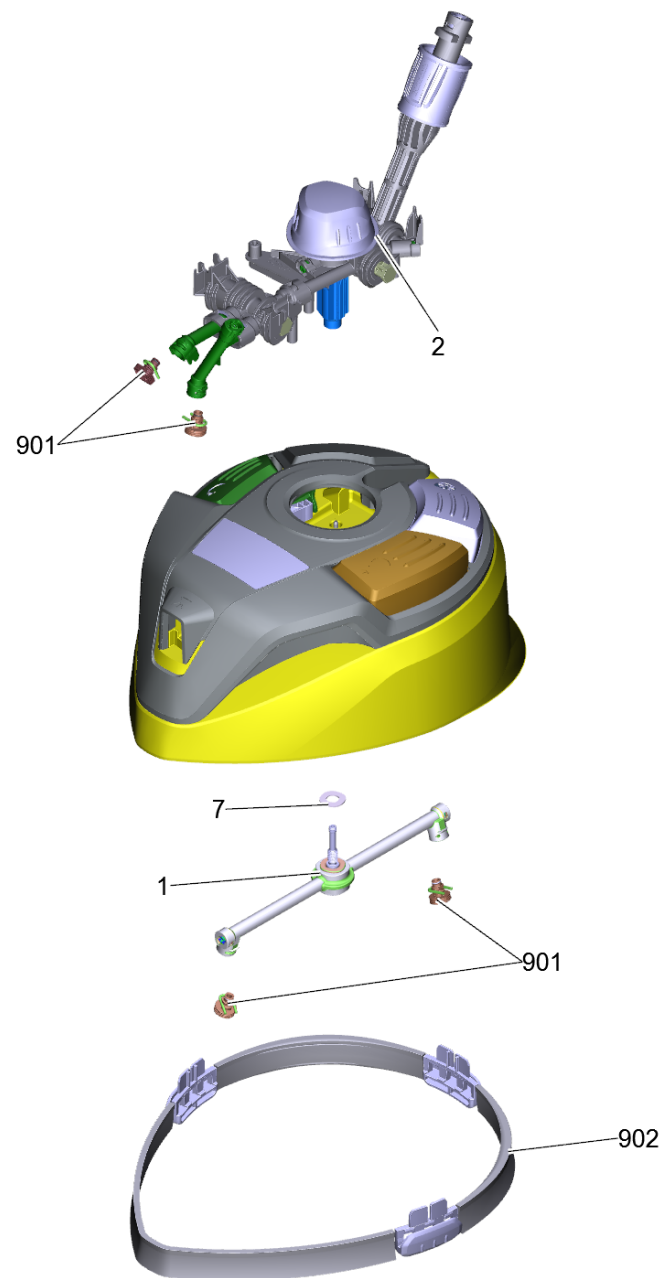
5 Spare parts nozzles T-Racer (2.643-338.0)

POS	Article no.	Description	Quantity	Unit	Remark	Foot note text
5	5.037-151.0	Clamp	2	PC		
3		Nozzle complete 15027	1	PC		BLACK
		Item text1: 027				
4	4.764-190.0	Nozzle kpl. 75047	1	PC		GREEN
		Item text1: 047				
1	7.777-999.0	Stockpiling discontinued	1	PC	<13 MPa (<130 bar)	GREY
		Item text1: 015				
2	7.777-999.0	Stockpiling discontinued	1	PC	13 MPa (130 bar) - 16 MPa (160 bar)	YELLOW
		Item text1: 020				



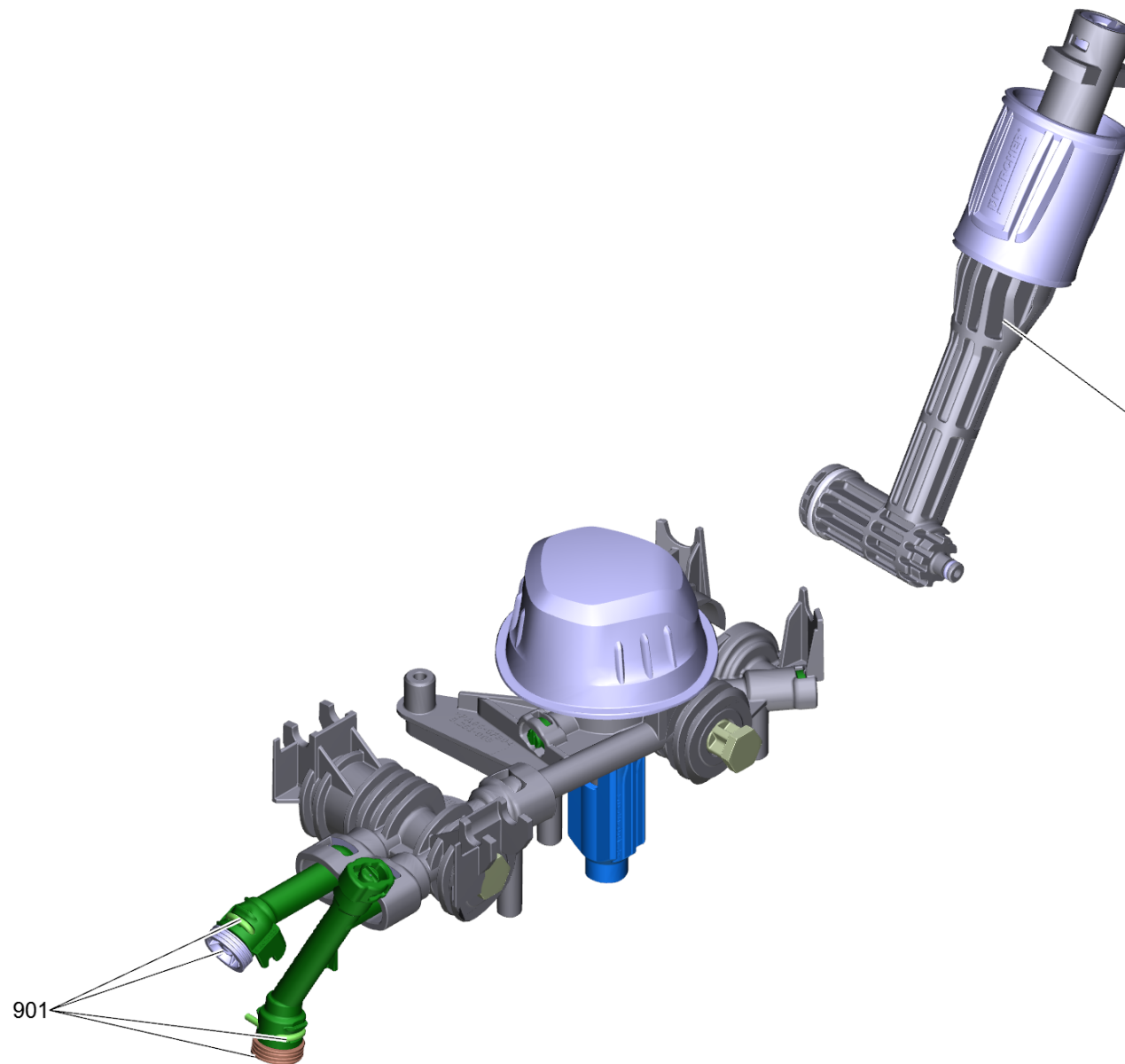
20 T 7 Plus (2.644-074.0)

POS	Article no.	Description	Quantity	Unit	Remark
2	2.643-240.0	Single-step jet pipe extension	2	PC	
999		T 7 appliances supplement	1	PC	spare parts T7 (not content of T7+ 2.644-074.0)
1		T 7 Plus kpl.	1	PC	



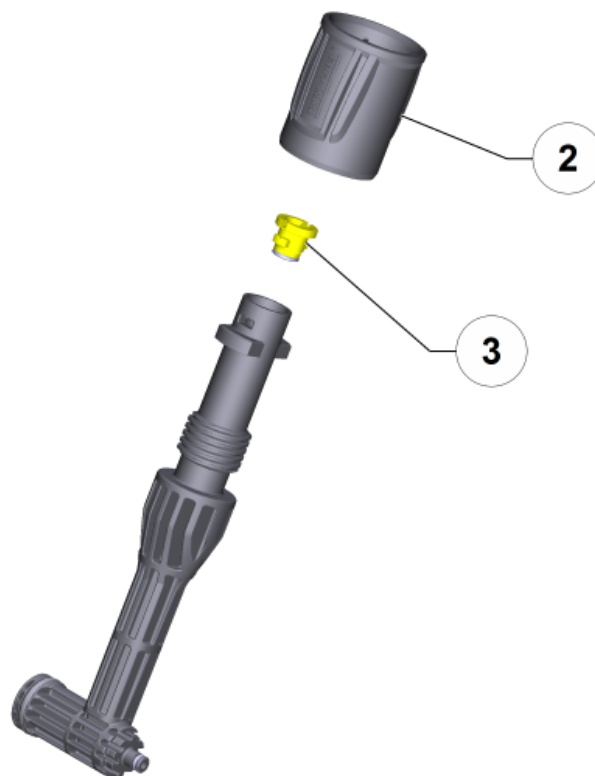
1 T 7 Plus kpl.

POS	Article no.	Description	Quantity	Unit
2		Bearing support complete	1	PC
901	2.644-081.0	replacement nozzles T-Racer	1	PC
1	4.762-603.3	Rotor complete	1	PC
902	4.100-739.0	Strip brush spare parts set plus	1	PC
7	5.115-971.0	Washer	1	PC



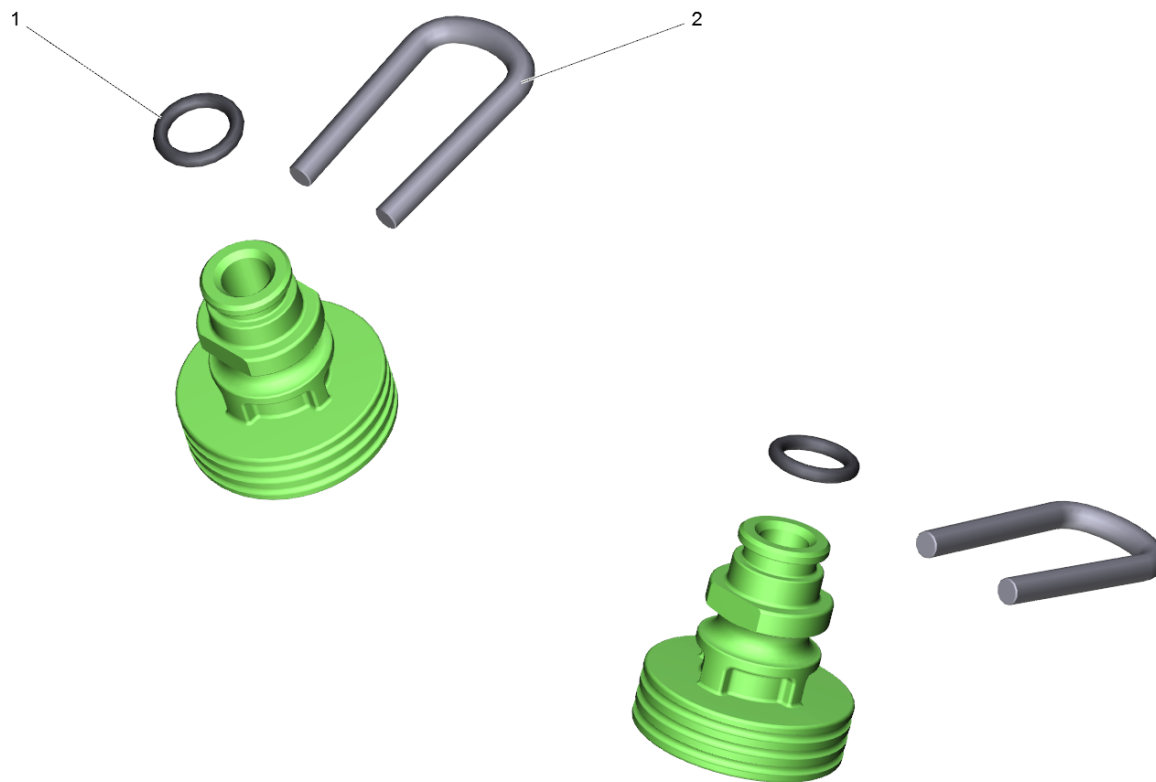
2 Bearing support complete

POS	Article no.	Description	Quantity	Unit
1		Adapter complete	1	PC
901	2.644-081.0	replacement nozzles T-Racer	1	PC



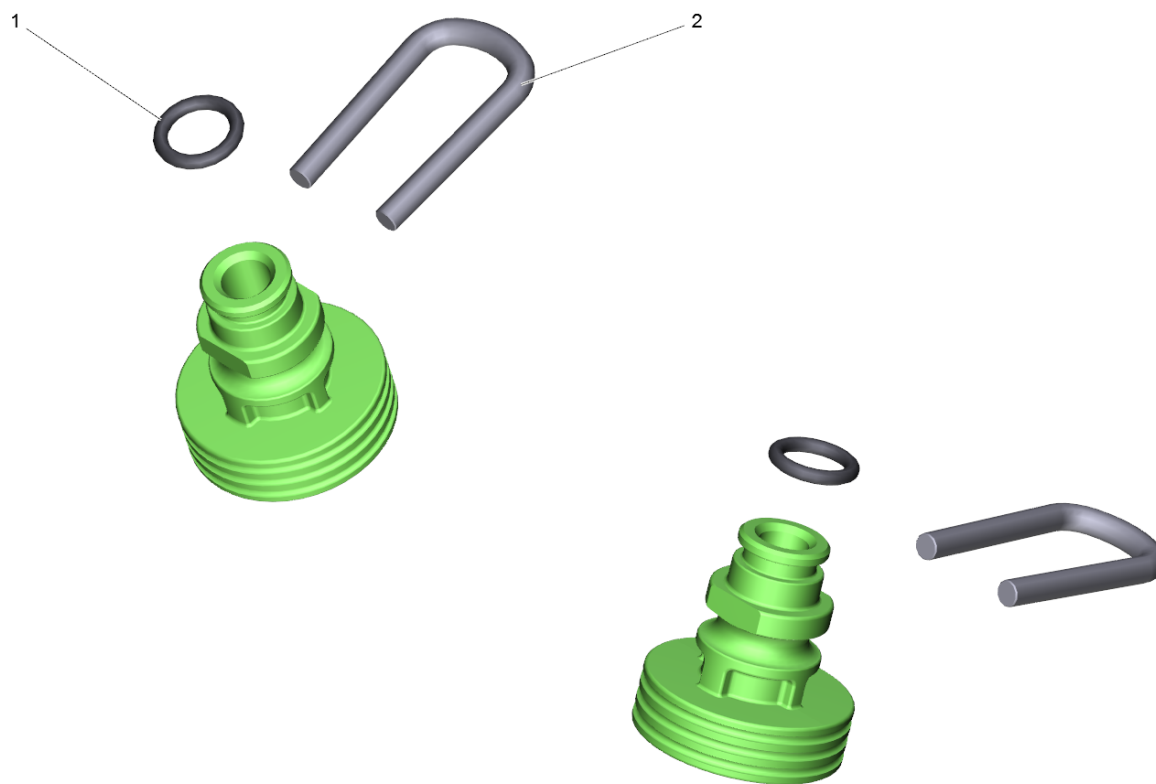
1 Adapter complete

POS	Article no.	Description	Quantity	Unit
2	5.310-160.0	Nut Kaercher	1	PC
3	2.640-729.0	O-Ring seal set	1	PC



901 replacement nozzles T-Racer (2.644-081.0)

POS	Article no.	Description	Quantity	Unit
2	5.037-151.0	Clamp	2	PC
1	6.363-609.0	O-Ring seal 5 x 1,2 -EPDM	2	PC



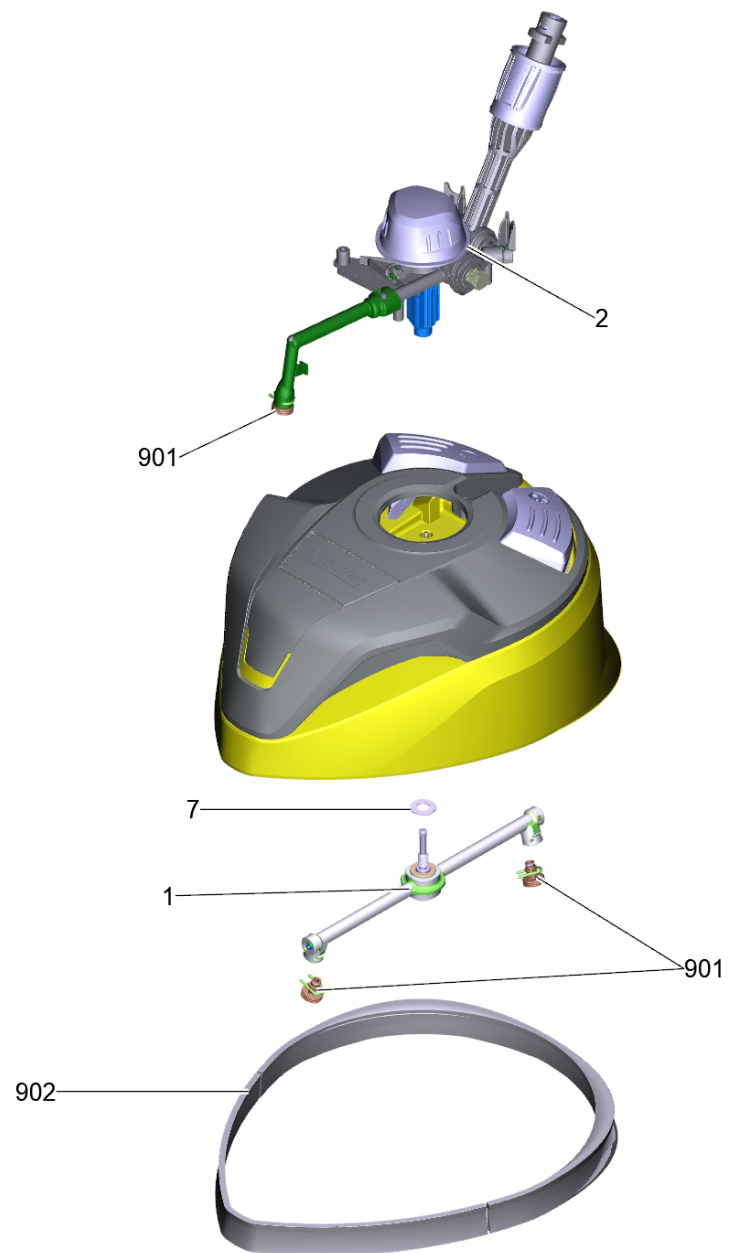
901 replacement nozzles T-Racer (2.644-081.0)

POS	Article no.	Description	Quantity	Unit
2	5.037-151.0	Clamp	2	PC
1	6.363-609.0	O-Ring seal 5 x 1,2 -EPDM	2	PC



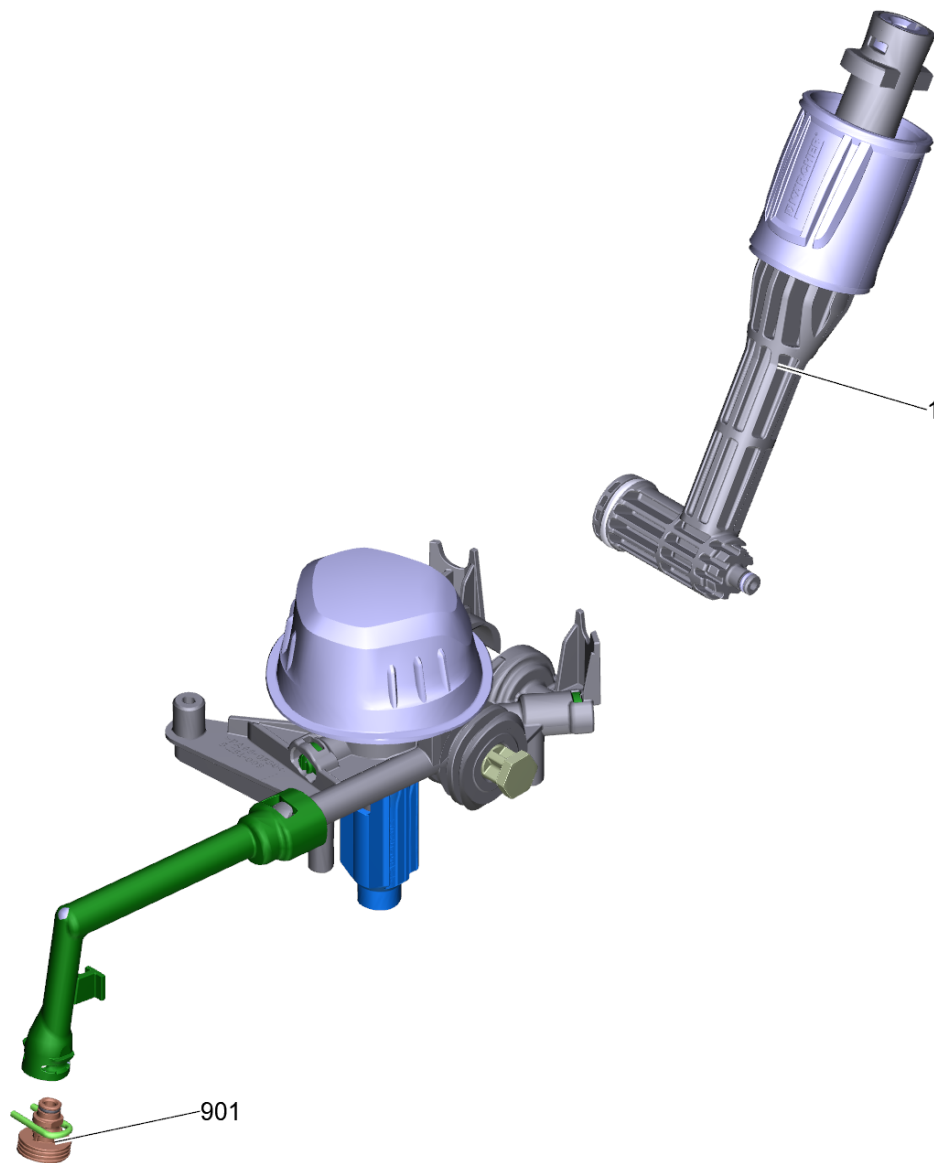
2 Single-step jet pipe extension (2.643-240.0)

POS	Article no.	Description	Quantity	Unit
10	5.310-160.0	Nut Kaercher	1	PC
3	2.640-729.0	O-Ring seal set	1	PC
8	5.332-464.0	Pressure spring	1	PC



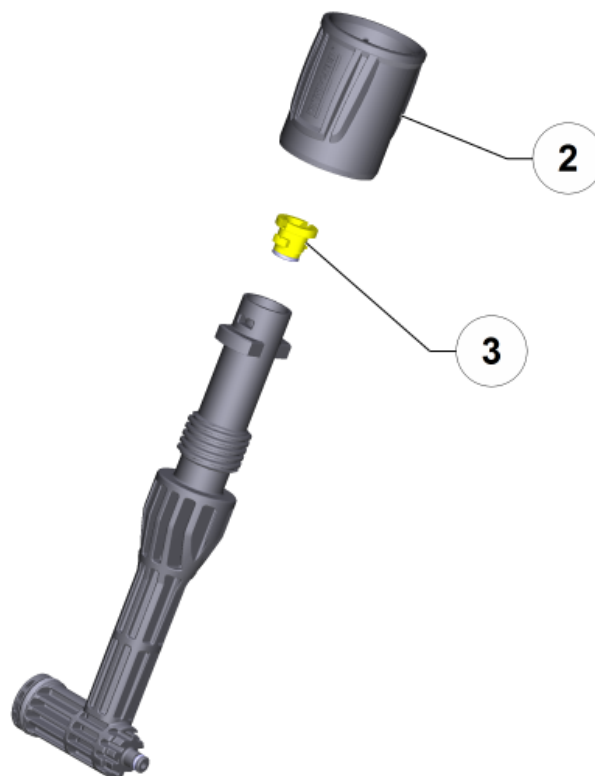
999 T 7 appliances supplement

POS	Article no.	Description	Quantity	Unit
2		Bearing support complete	1	PC
901	2.644-081.0	replacement nozzles T-Racer	1	PC
1	4.762-603.3	Rotor complete	1	PC
902	4.100-823.0	Strip brush spare parts set	1	PC
7	5.115-971.0	Washer	1	PC



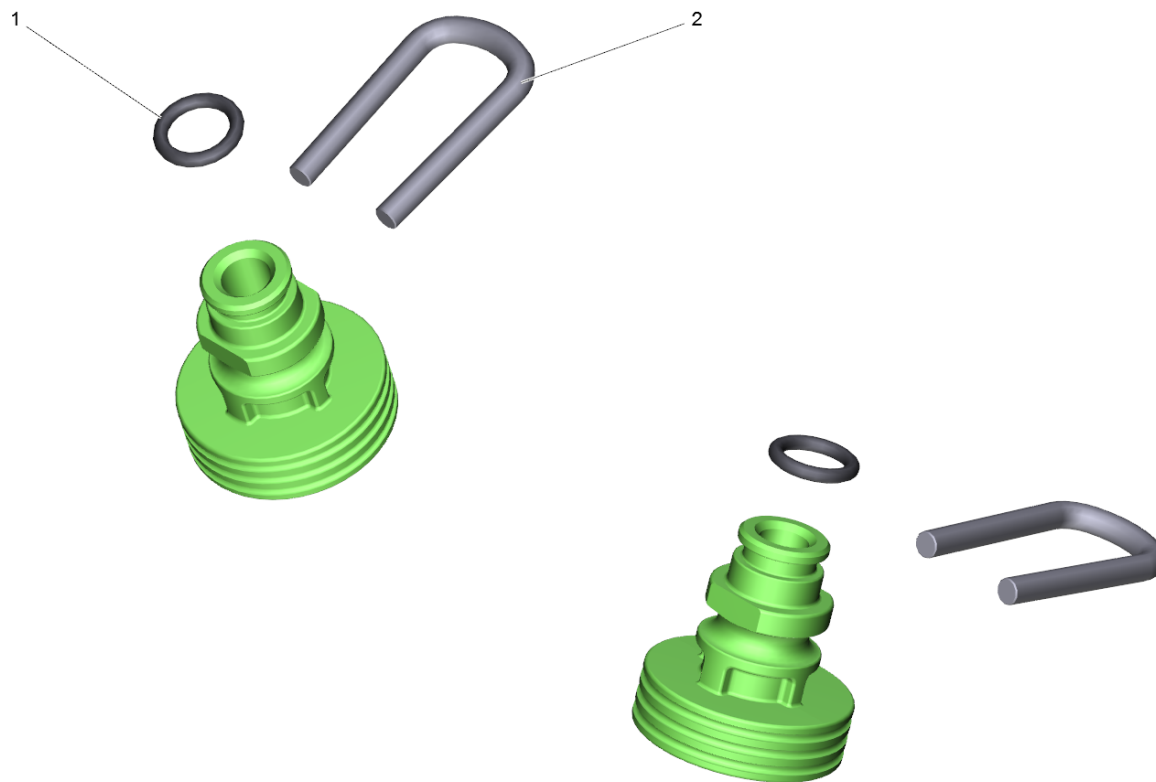
2 Bearing support complete

POS	Article no.	Description	Quantity	Unit
1		Adapter complete	1	PC
901	2.644-081.0	replacement nozzles T-Racer	1	PC



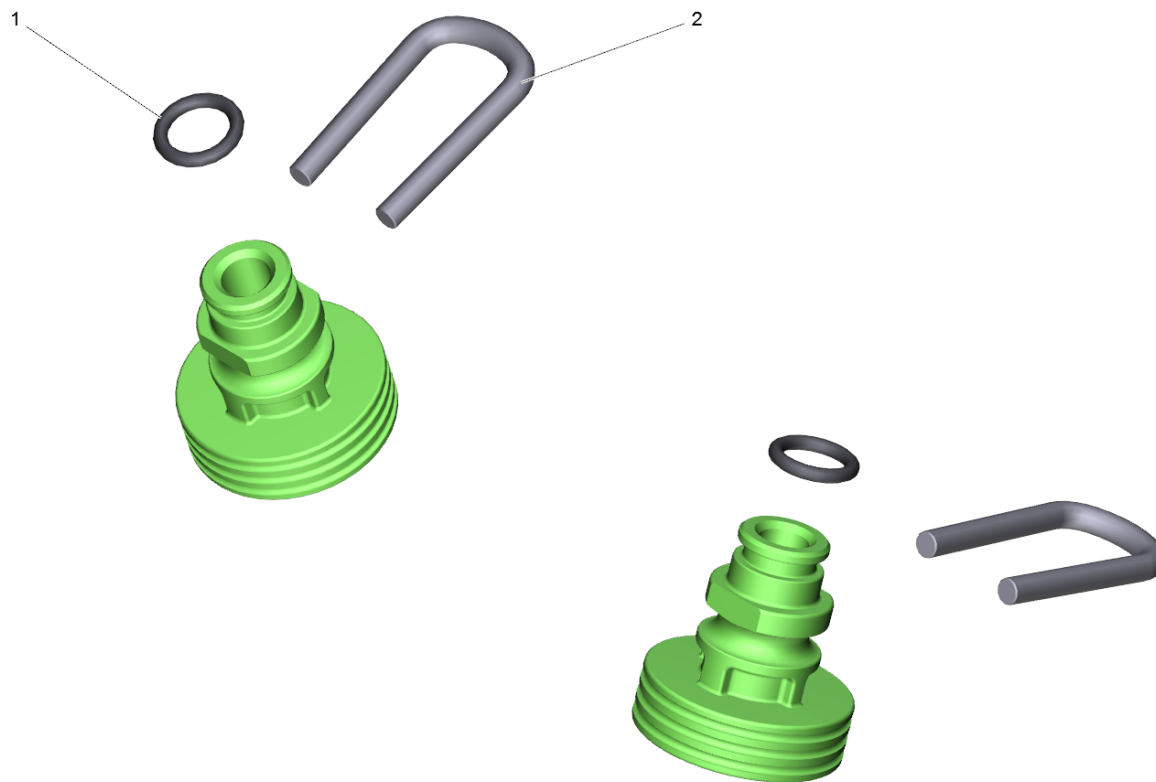
1 Adapter complete

POS	Article no.	Description	Quantity	Unit
2	5.310-160.0	Nut Kaercher	1	PC
3	2.640-729.0	O-Ring seal set	1	PC



901 replacement nozzles T-Racer (2.644-081.0)

POS	Article no.	Description	Quantity	Unit
2	5.037-151.0	Clamp	2	PC
1	6.363-609.0	O-Ring seal 5 x 1,2 -EPDM	2	PC



901 replacement nozzles T-Racer (2.644-081.0)

POS	Article no.	Description	Quantity	Unit
2	5.037-151.0	Clamp	2	PC
1	6.363-609.0	O-Ring seal 5 x 1,2 -EPDM	2	PC