

Spare parts list

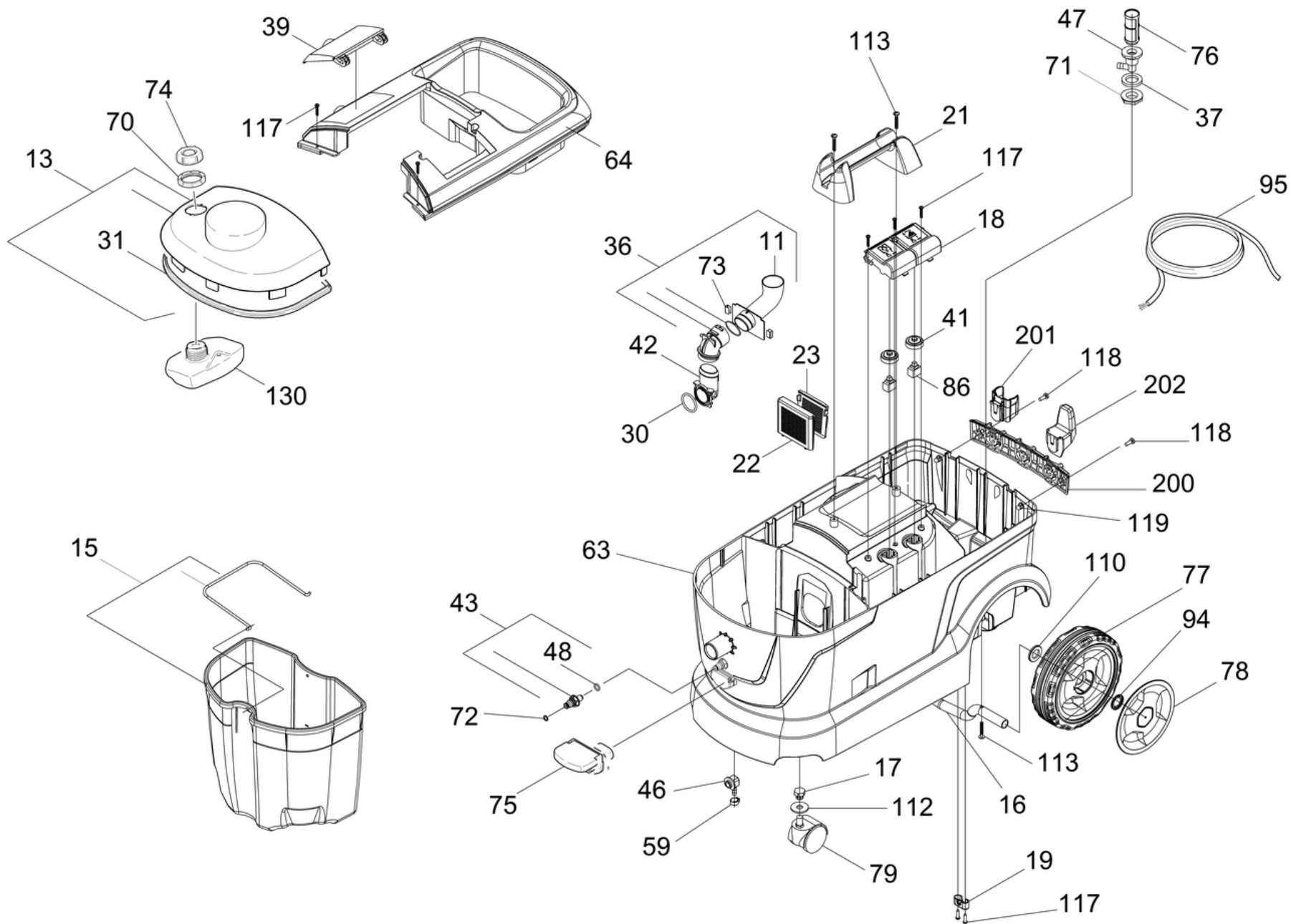
(1.193-120.0) Puzzi 10/2 Adv *EU

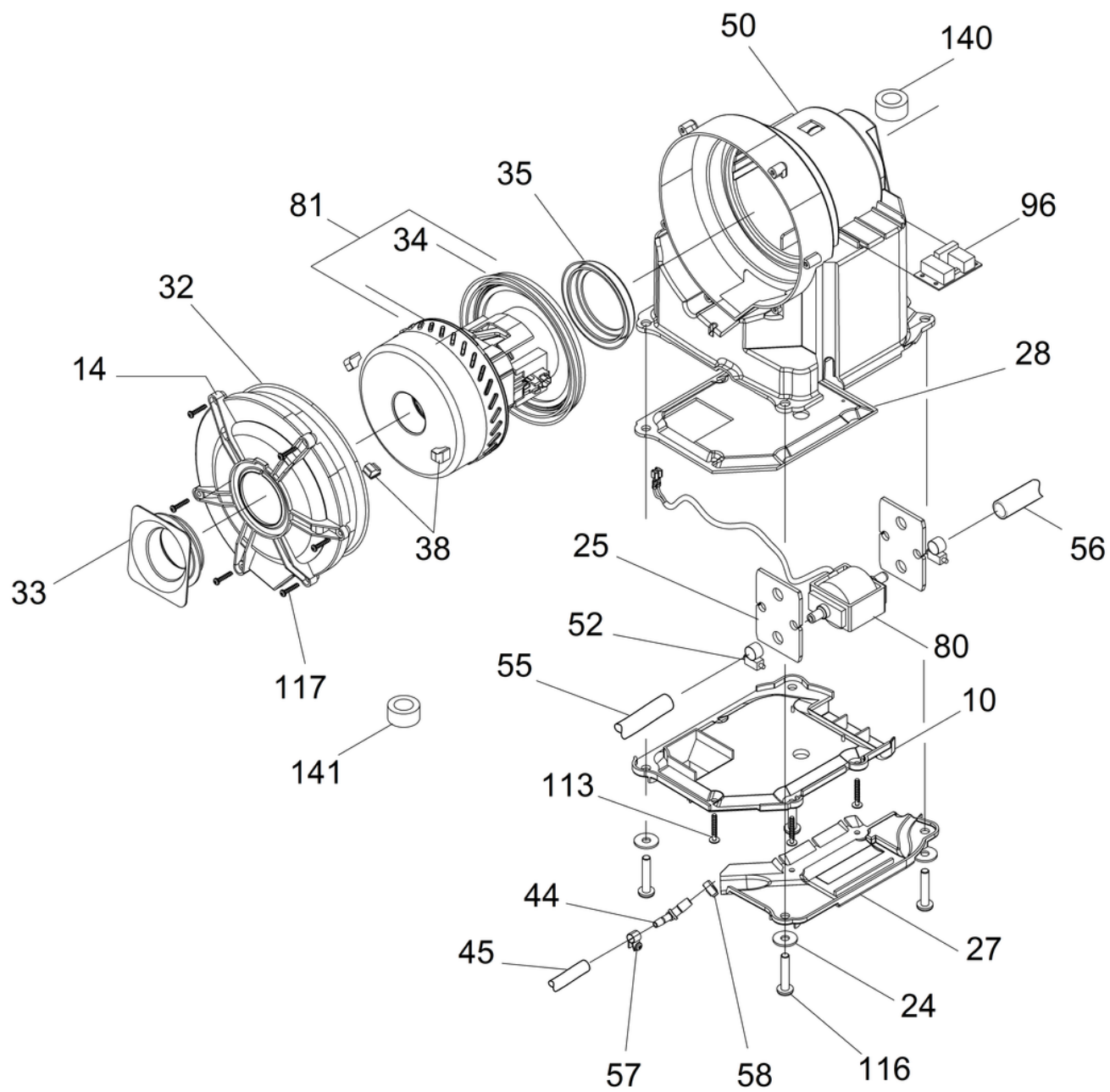
Table of contents

Puzzi 10/2 Adv *EU (1.193-120.0)	3
5 Spare parts list Puzzi 10/2 Adv *EU (5.972-716.0)	4
300 Accessories	9
2 Suction hose Ø32, 4,0m (6.394-375.0)	11
2 Suction hose complete DN32 (6.394-826.0)	12
3 Hose coupling complete for replacement (4.446-023.0)	13
5 Metering unit antifoaming agent (4.006-907.0)	14
6 Upholstery nozzle complete packaged (4.130-001.0)	16
7 Set carpet nozzle complete 240mm (4.130-007.0)	18
1 Suction tube complete packaged (4.025-004.0)	20
2 Handhold pipe complete verpackt (4.321-001.0)	22
3 Brosses seules pour suceur PUZZI 10/1 (4.130-008.0)	24
8 Crevice nozzle complete packaged (4.130-010.0)	26
3 Spraying nozzle set (4.765-000.0)	28
13 Handhold complete packaged (4.130-000.0)	30
2 Valve complete (4.580-002.0)	32
18 Roller complete with axle (4.515-342.0)	34

Puzzi 10/2 Adv *EU (1.193-120.0)

POS	Article no.	Description	Quantity	Unit
5	5.972-716.0	Spare parts list Puzzi 10/2 Adv *EU	1.000	ST





5 Spare parts list Puzzi 10/2 Adv *EU (5.972-716.0)

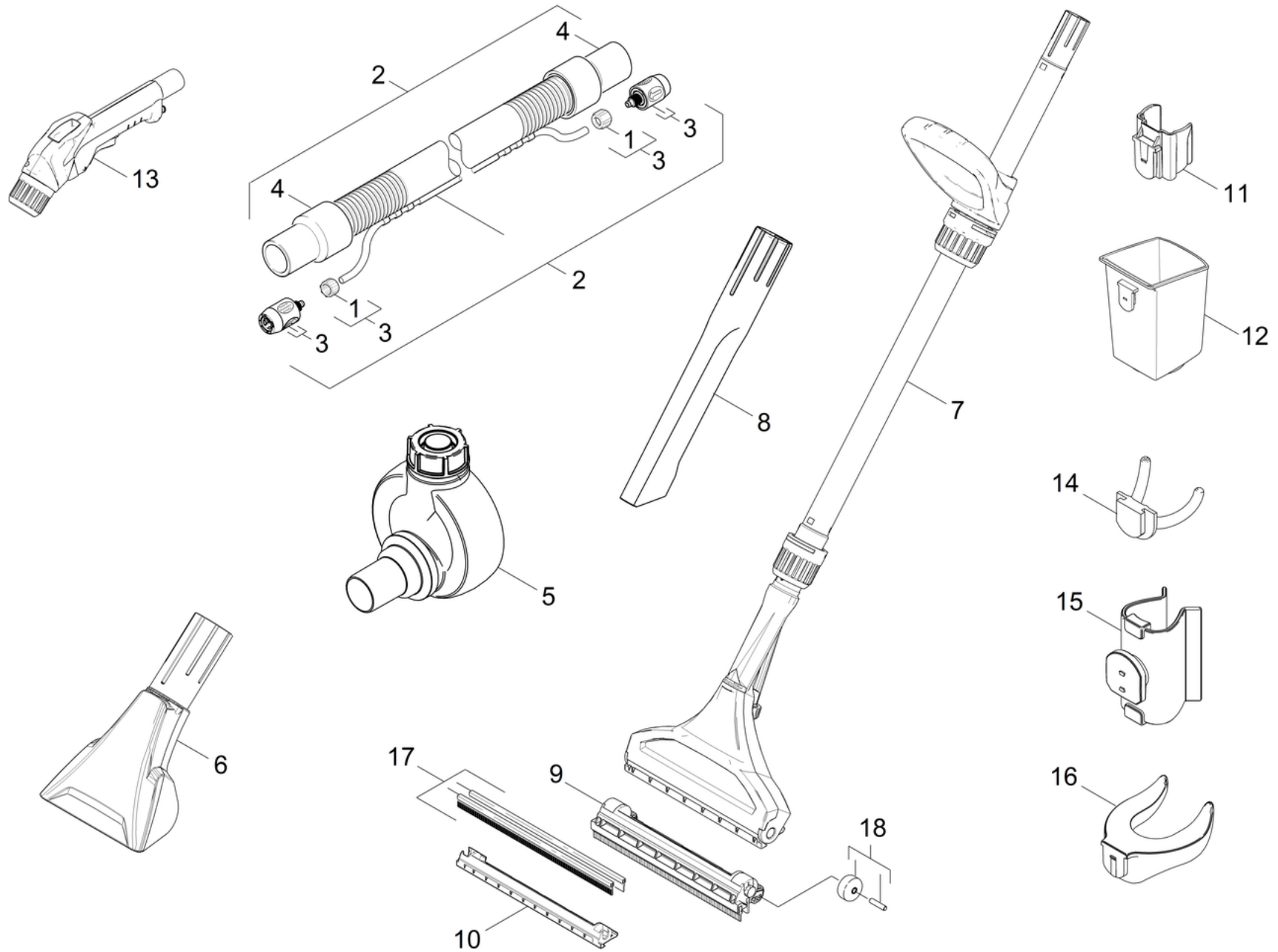
POS	Article no.	Description	Quantity	Unit
77	5.515-361.0	Wheel D180	2.000	ST
78	5.515-386.0	Wheel cap large RAL 7012	2.000	ST
110	7.312-057.0	Washer 16 -A2 ISO 7090	2.000	ST
112	7.312-285.0	Washer 10 -200HV-A2E ISO7093-1	2.000	ST
81	4.610-046.0	Vacuum motor complete -230V	1.000	ST
73	6.373-081.0	U-Fastening 4,5-5mm	2.000	ST
63	4.071-013.0	Tank replacement RAL 7012 Puzzi 10/2	1.000	ST
15	4.070-298.0	Tank complete only for replacement	1.000	ST
130	5.071-106.0	Tank antifoaming agent	1.000	ST
86	6.630-032.0	Switch	2.000	ST
31	5.363-390.0	Seal cover	1.000	ST
38	5.363-405.0	Seal	3.000	ST
35	5.363-395.0	Seal	1.000	ST
34	5.363-393.0	Seal	1.000	ST
33	5.363-392.0	Seal	1.000	ST
116	6.303-285.0	Screw M 8x 40	4.000	ST
118	7.306-217.0	Screw M5x14 -8.8-R2R (In6Rd)	2.000	ST
74	6.394-106.0	Screw cap	1.000	ST
113	7.303-086.0	Screw 5x30 -10.9-R2R (K-In6Rd)	8.000	ST
117	7.303-084.0	Screw 4x25 -10.9-R2R (K-In6Rd)	13.000	ST
19	5.034-505.0	Retaining bracket cable	1.000	ST
18	4.324-056.0	Pushbutton complete RAL 1018	1.000	ST
41	5.394-461.0	Protection part	2.000	ST
95	6.650-363.0	Power cable Puzzi 10/1 *EU	1.000	ST
75	6.646-401.0	Plug socket 250V	1.000	ST
56	5.442-722.0	Piece of tube	1.000	ST
55	5.442-924.0	Piece of tube	1.000	ST
30	9.478-007.0	O-Ring seal Ø29,5x3 NBR 70	1.000	ST
48	6.362-797.0	O-Ring seal 9,0 X 2,0	1.000	ST
72	6.362-498.0	O-Ring seal 6,75x1,78 NBR 70	1.000	ST
70	5.310-119.0	Nut	1.000	ST
43	4.409-001.0	Nipple complete	1.000	ST
44	5.409-261.0	Nipple	1.000	ST

5 Spare parts list Puzzi 10/2 Adv *EU (5.972-716.0)

POS	Article no.	Description	Quantity	Unit
80	6.473-376.0	Moto - pompe	1.000	ST
94	6.343-168.0	Lock washer	2.000	ST
24	5.363-397.0	Joint ring	4.000	ST
37	5.363-108.0	Joint ring	1.000	ST
50	5.605-290.0	Housing turbine	1.000	ST
46	5.443-437.0	Hose stem	1.000	ST
47	5.443-246.0	Hose stem	1.000	ST
45	6.390-220.0	Hose DN 6,5	1.000	ST
58	6.388-701.0	Hose clip with insert 13,3	1.000	ST
57	6.388-555.0	Hose clip 9,0mm	1.000	ST
52	6.388-683.0	Hose clip - 14/ 9	2.000	ST
59	6.389-992.0	Hose clip	1.000	ST
202	5.037-360.0	Hook Puzzi Home Base	1.000	ST
200	5.033-989.0	Holder accessories Puzzi 10/1, Puzzi 10/	1.000	ST
71	6.310-004.0	Hexagon nut G 1/2"	1.000	ST
21	5.321-517.0	Handhold	1.000	ST
64	5.013-084.0	Funnel RM	1.000	ST
23	5.734-087.0	Fluffing strainer	1.000	ST
28	5.364-233.0	Flat gasket	1.000	ST
22	5.734-089.0	Filter	1.000	ST
76	6.414-027.0	Filter	1.000	ST
141	6.346-043.0	Ferrite ring	1.000	ST
140	6.614-006.0	Ferrite ring	1.000	ST
11	4.031-070.0	Elbow complete	1.000	ST
36	4.031-070.0	Elbow complete	1.000	ST
14	5.063-747.0	Cover turbine	1.000	ST
27	5.031-461.0	Covering cap small	1.000	ST
10	5.033-096.0	Covering cap large	1.000	ST
13	4.063-628.0	Cover complete	1.000	ST
39	5.063-015.0	Cover cleaning agents	1.000	ST
42	5.402-605.0	Connection piece aspiration	1.000	ST
201	5.033-990.0	Clip Puzzi 10/1, Puzzi 10/2	1.000	ST
96	6.682-391.0	Circuit board	1.000	ST

5 Spare parts list Puzzi 10/2 Adv *EU (5.972-716.0)

POS	Article no.	Description	Quantity	Unit
32	6.273-162.0	Cellular rubber	1.000	ST
79	6.435-039.0	Castor	2.000	ST
119	7.311-385.0	Cap nut M 5-A1-50 DIN 1587	2.000	ST
17	5.110-659.0	Bush	2.000	ST
25	5.031-468.0	Bearing pump	2.000	ST
16	5.105-252.0	Axle	1.000	ST
300		Accessories	1.000	ST



300 Accessories

POS	Article no.	Description	Quantity	Unit
10	4.777-005.0	Vacuum bar complete 240mm	1.000	ST
6	4.130-001.0	Upholstery nozzle complete packaged	1.000	ST
1	6.394-827.0	Union nut yellow M 12x1	2.000	ST
12	4.070-006.0	Tank cleaning agents complete	1.000	ST
2	6.394-375.0	Suction hose Ø32, 4,0m	1.000	ST
2	6.394-826.0	Suction hose complete DN32	1.000	ST
4	6.906-713.0	Sleeve DN32	1.000	ST
17	4.070-089.0	Set rubber lip brush strip 240mm	1.000	ST
7	4.130-007.0	Set carpet nozzle complete 240mm	1.000	ST
18	4.515-342.0	Roller complete with axle	1.000	ST
5	4.006-907.0	Metering unit antifoaming agent	1.000	ST
3	4.446-023.0	Hose coupling complete for replacement	2.000	ST
15	6.980-078.0	Holder handhold grey	1.000	ST
16	6.980-080.0	Holder bottle	1.000	ST
9	4.762-014.0	Hard surface adapter 240mm	1.000	ST
13	4.130-000.0	Handhold complete packaged	1.000	ST
14	6.980-077.0	Double hook	1.000	ST
8	4.130-010.0	Crevice nozzle complete packaged	1.000	ST
11	5.033-990.0	Clip Puzzi 10/1, Puzzi 10/2	1.000	ST

2 Suction hose Ø32, 4,0m (6.394-375.0)

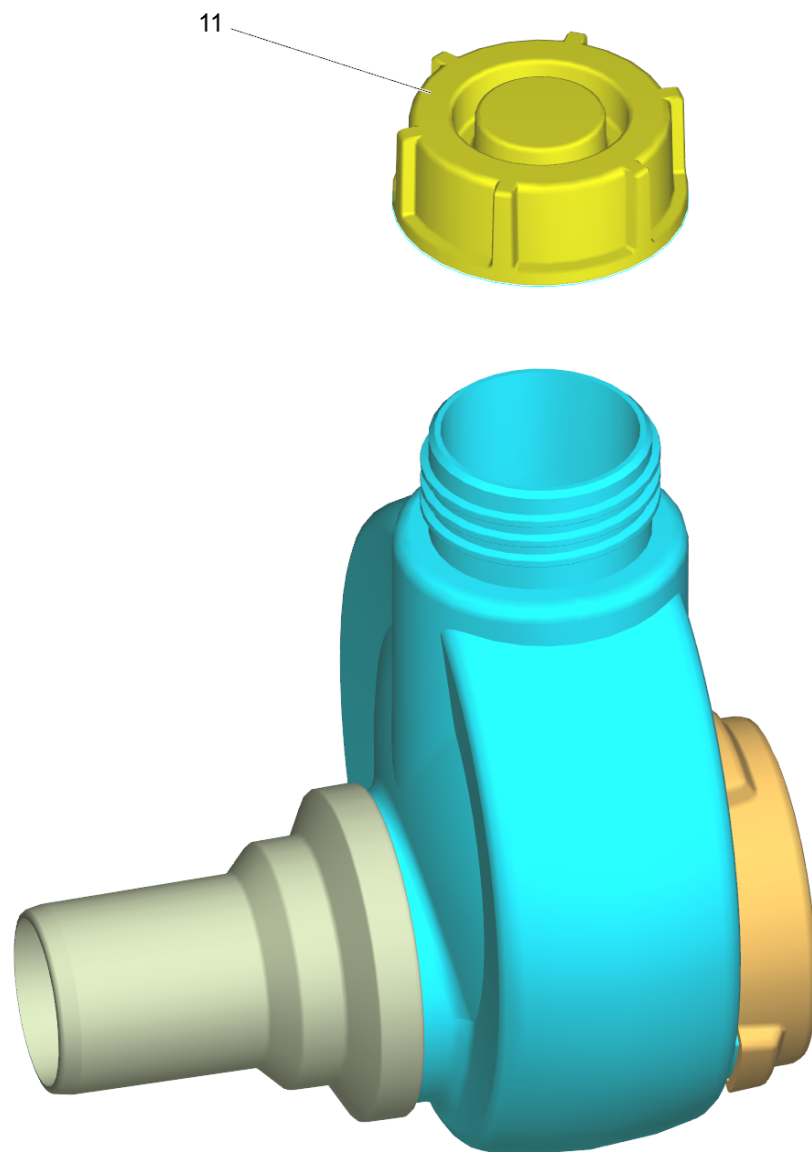
POS	Article no.	Description	Quantity	Unit
2	6.394-827.0	Union nut yellow M 12x1	2.000	ST
3	6.906-713.0	Sleeve DN32	1.000	ST
534	6.376-036.0	Label spare parts neutrally 65x55 MM	1.000	ZST
500	6.277-083.0	Bag neutrally 500 X 800 X 0,1 mm-PE	1.000	ST

2 Suction hose complete DN32 (6.394-826.0)

POS	Article no.	Description	Quantity	Unit
2	6.394-827.0	Union nut yellow M 12x1	2.000	ST
3	6.906-713.0	Sleeve DN32	1.000	ST

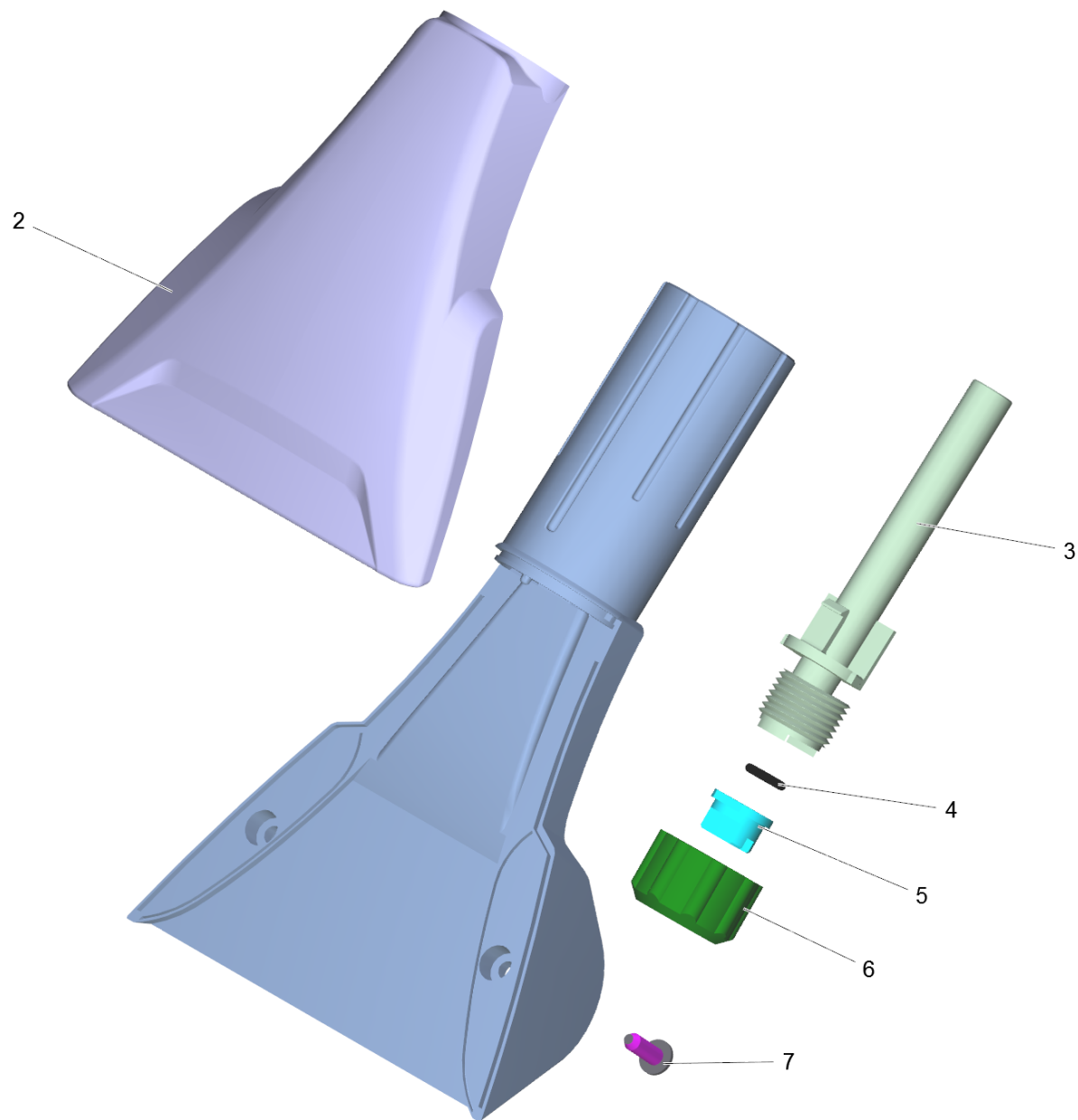
3 Hose coupling complete for replacement (4.446-023.0)

POS	Article no.	Description	Quantity	Unit
2	6.394-827.0	Union nut yellow M 12x1	1.000	ST
4	6.376-036.0	Label spare parts neutrally 65x55 MM	1.000	ZST



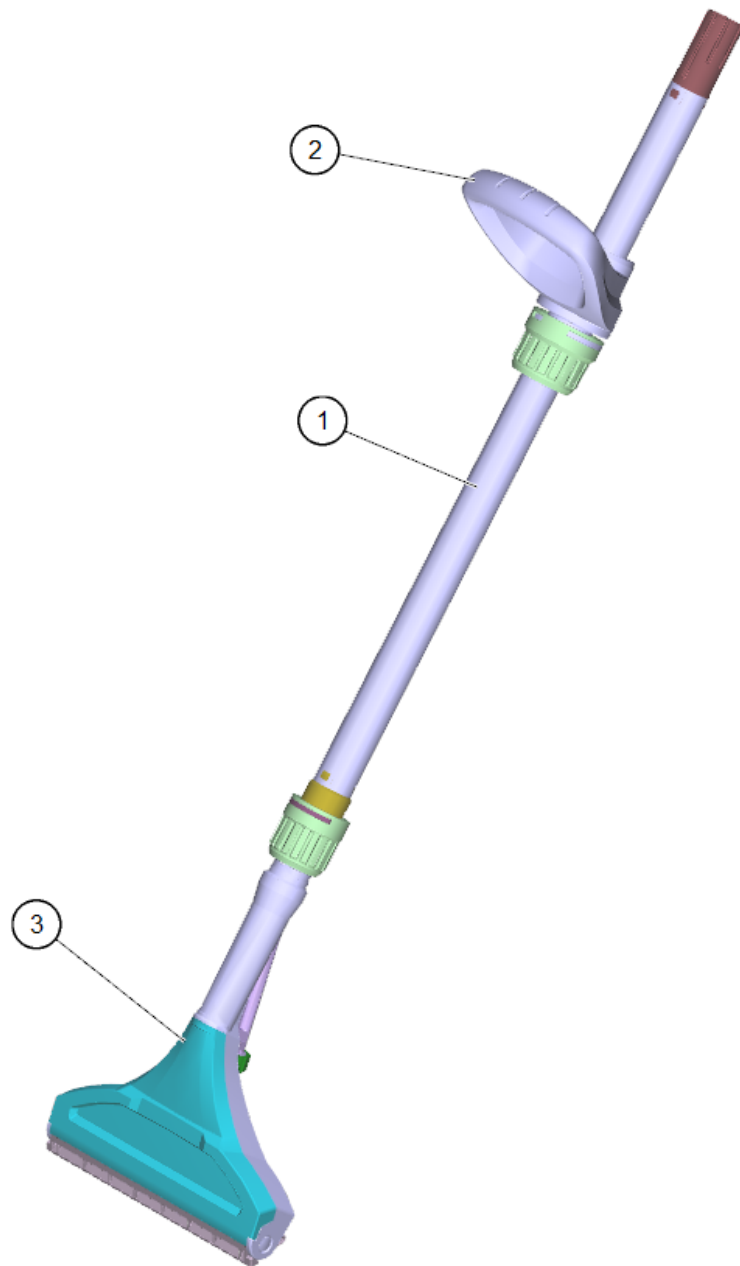
5 Metering unit antifoaming agent (4.006-907.0)

POS	Article no.	Description	Quantity	Unit
11	6.394-106.0	Screw cap	1.000	ST



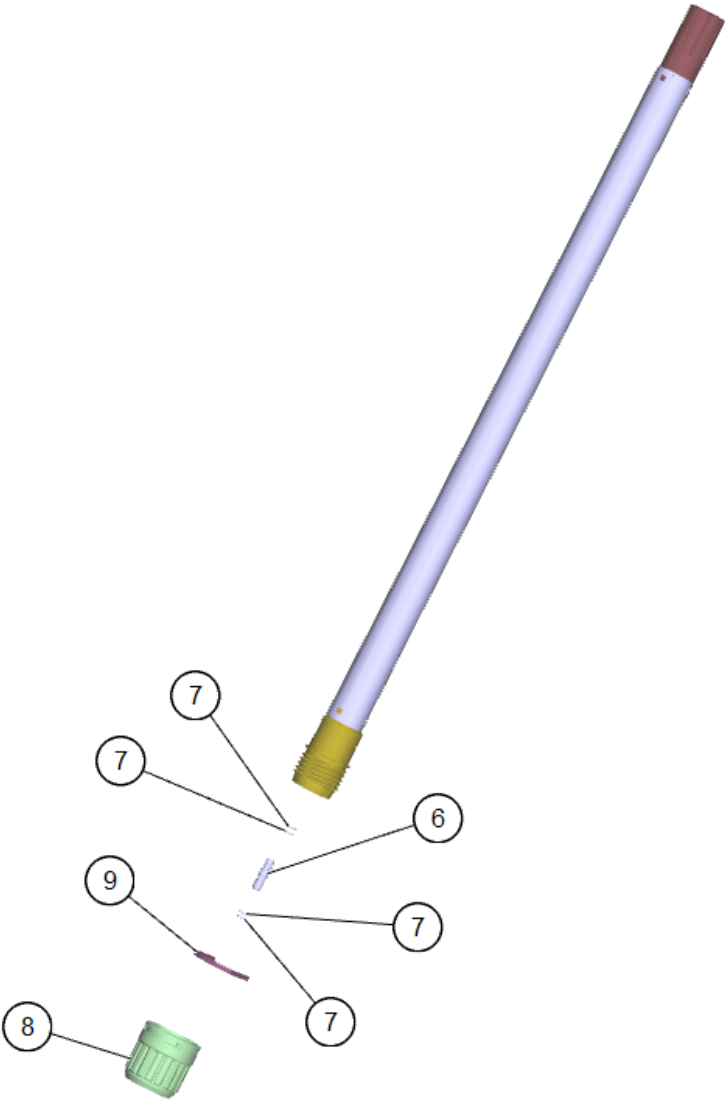
6 Upholstery nozzle complete packaged (4.130-001.0)

POS	Article no.	Description	Quantity	Unit
2	5.130-020.0	Upholstery nozzle top part	1.000	ST
7	7.303-116.0	Screw 4x12-A2-70 (IN6RD)	2.000	ST
4	6.362-113.0	O-Ring seal 6,0 x 2,0 NBR 70	1.000	ST
6	5.310-043.0	Nut	1.000	ST
5	6.415-340.0	Nozzle mouthpiece 65G04	1.000	ST
3	5.401-007.0	Nozzle holder	1.000	ST



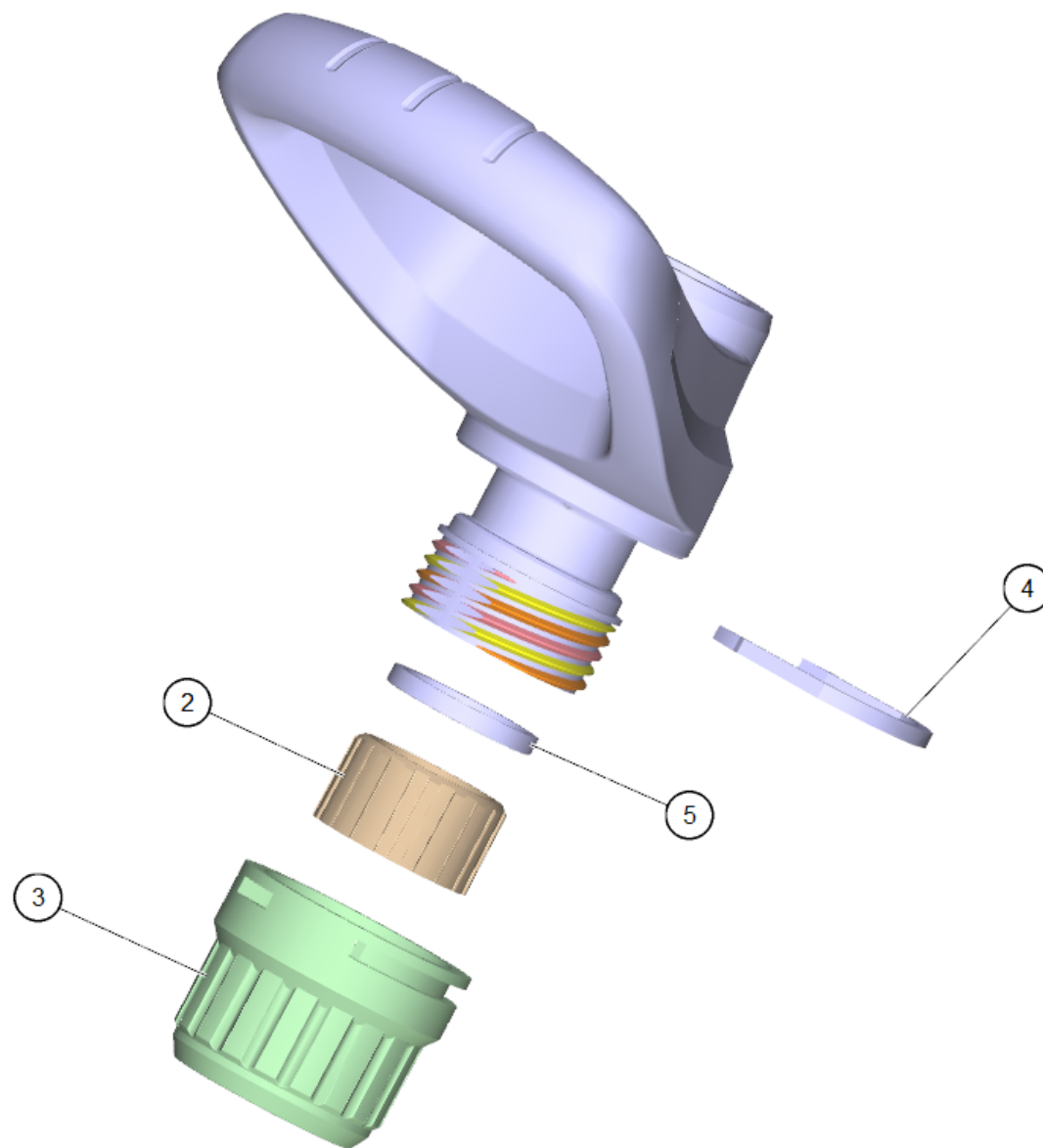
7 Set carpet nozzle complete 240mm (4.130-007.0)

POS	Article no.	Description	Quantity	Unit
1	4.025-004.0	Suction tube complete packaged	1.000	ST
2	4.321-001.0	Handhold pipe complete verpackt	1.000	ST
3	4.130-008.0	Brosses seules pour suceur PUZZI 10/1	1.000	ST



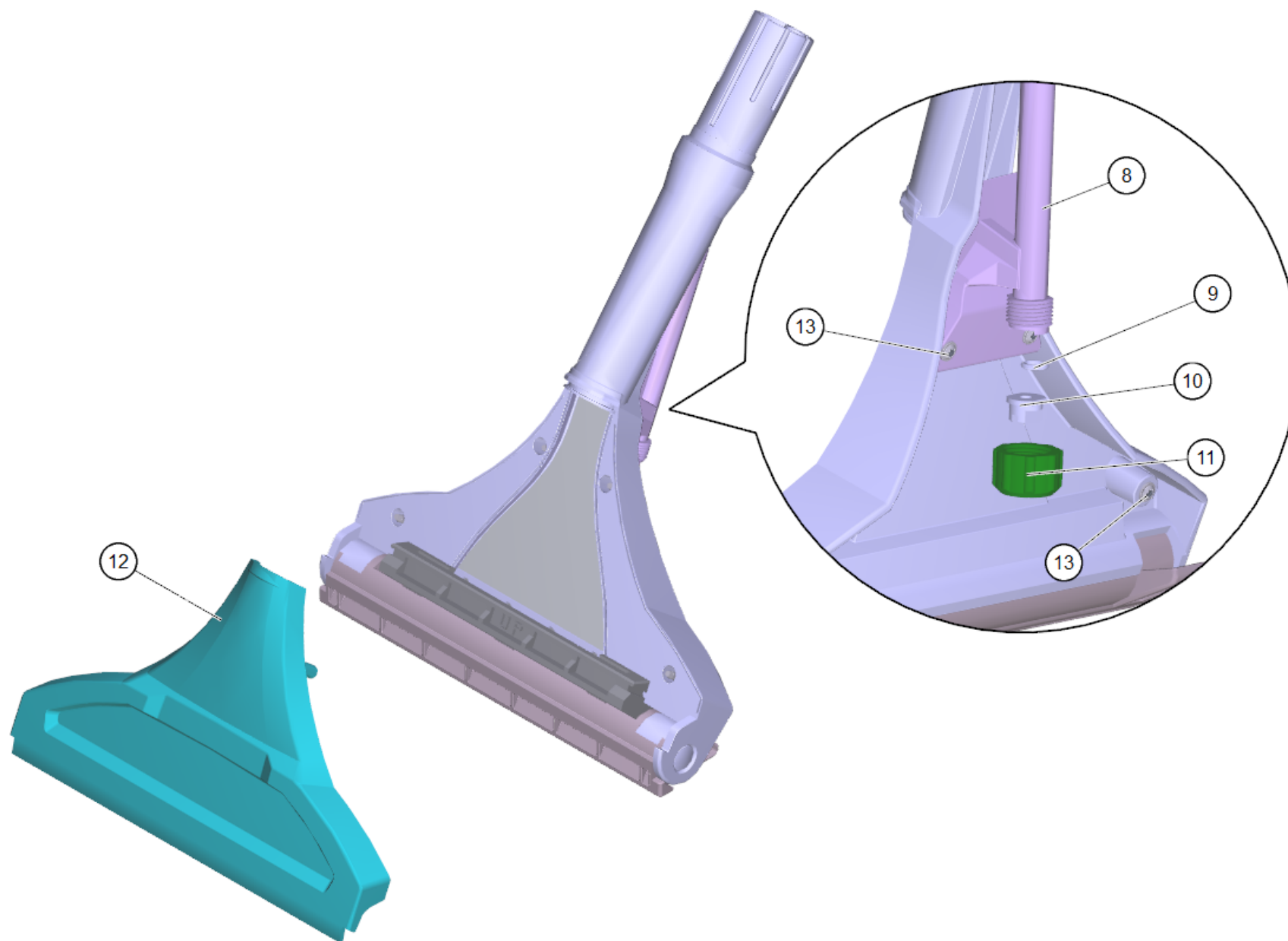
1 Suction tube complete packaged (4.025-004.0)

POS	Article no.	Description	Quantity	Unit
8	5.310-000.0	Union nut	1.000	ST
9	5.031-029.0	Tension ring	1.000	ST
7	6.363-574.0	O-Ring seal 6x1,2 - NBR 80	4.000	ST
6	5.127-021.0	Extension	1.000	ST



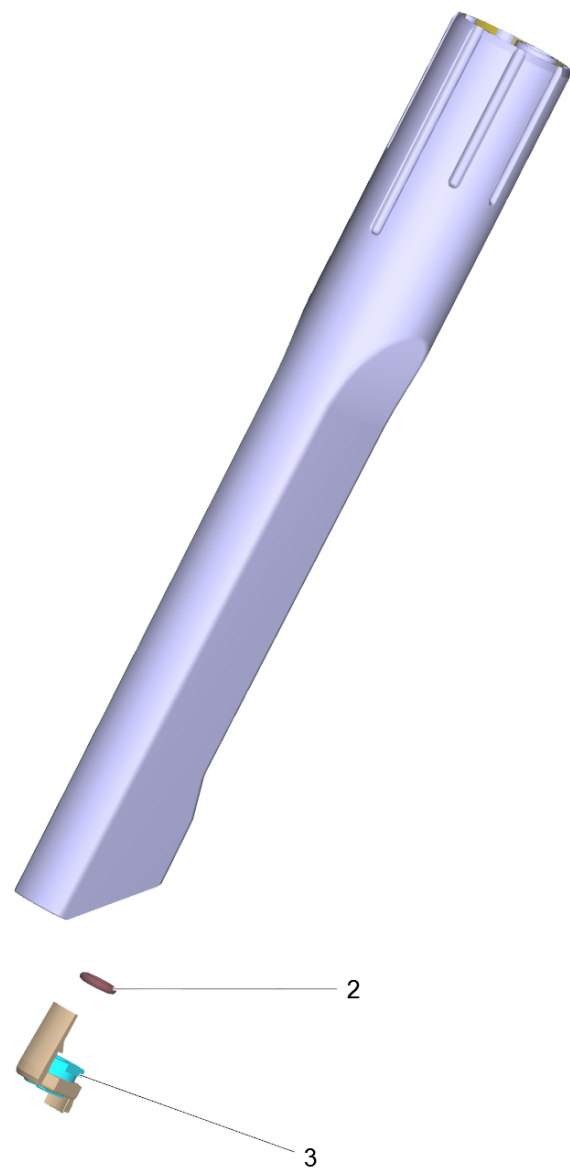
2 Handhold pipe complete verpackt (4.321-001.0)

POS	Article no.	Description	Quantity	Unit
3	5.310-002.0	Union nut handhold	1.000	ST
5	5.114-003.0	Spacer ring	1.000	ST
2	5.401-005.0	Insert rubber	1.000	ST
4	5.037-019.0	Clip hand grip	1.000	ST



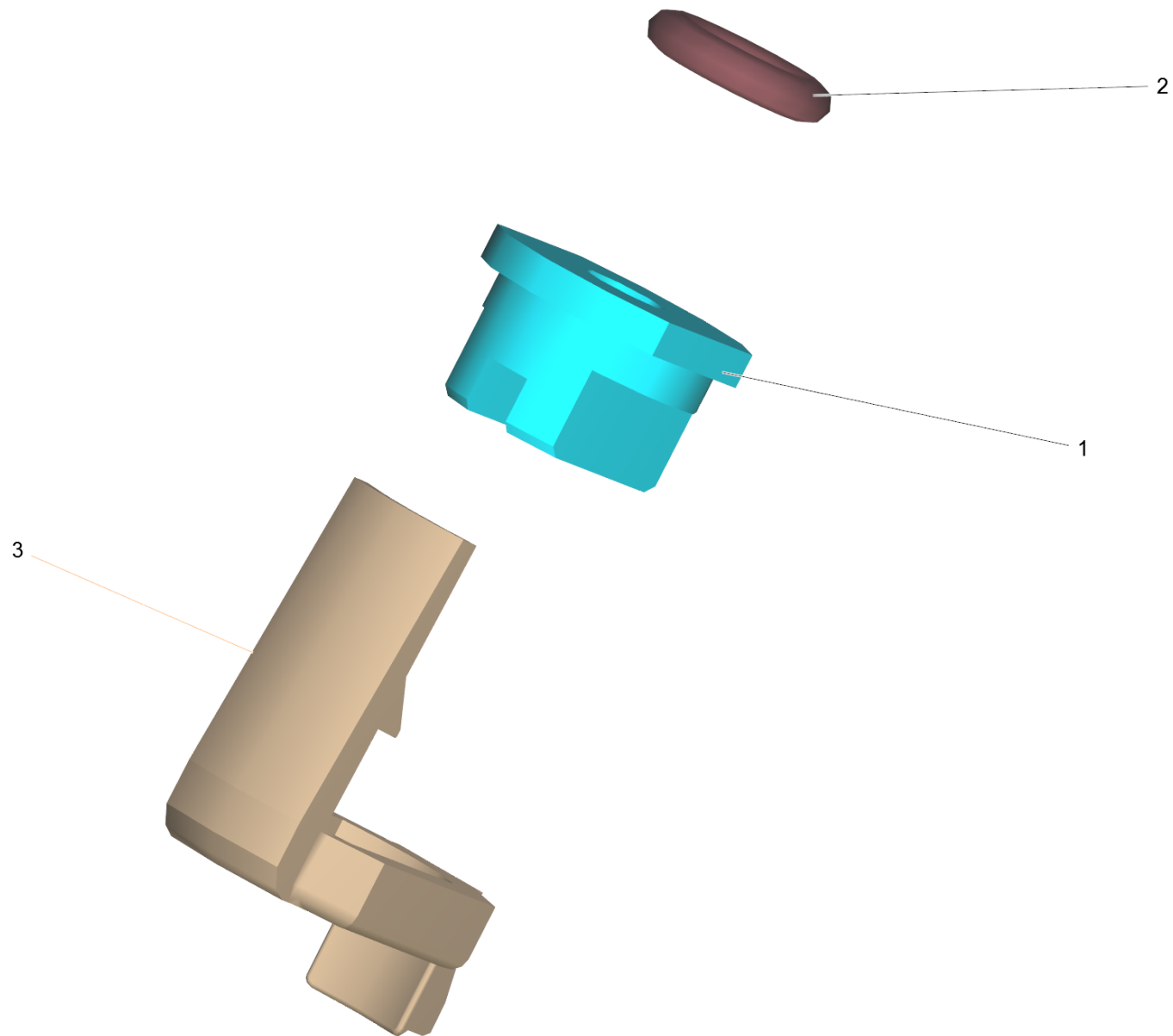
3 Broses seules pour suceur PUZZI 10/1 (4.130-008.0)

POS	Article no.	Description	Quantity	Unit
13	7.303-117.0	Screw 4x20 -A2-70 (In6Rd)	4.000	ST
9	6.362-113.0	O-Ring seal 6,0 x 2,0 NBR 70	1.000	ST
11	5.310-043.0	Nut	1.000	ST
10	6.415-165.0	Nozzle mouthpiece 95G06	1.000	ST
8	5.667-001.0	Nozzle holder	1.000	ST
12	5.777-016.0	Carpet nozzle covering cap 240mm	1.000	ST



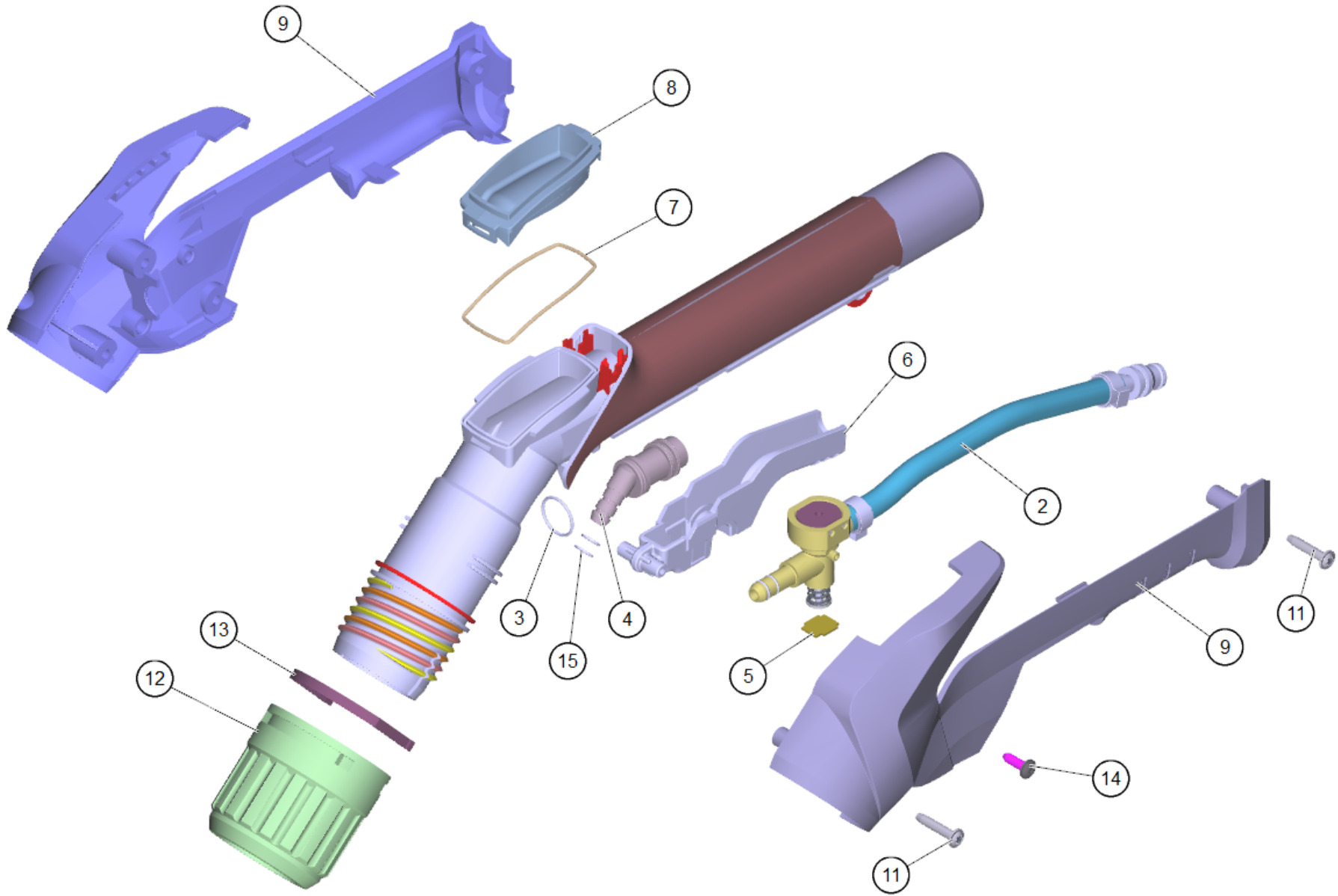
8 Crevice nozzle complete packaged (4.130-010.0)

POS	Article no.	Description	Quantity	Unit
3	4.765-000.0	Spraying nozzle set	1.000	ST
2	6.363-242.0	O-Ring seal 6x2,2 EPDM 80 SH	1.000	ST



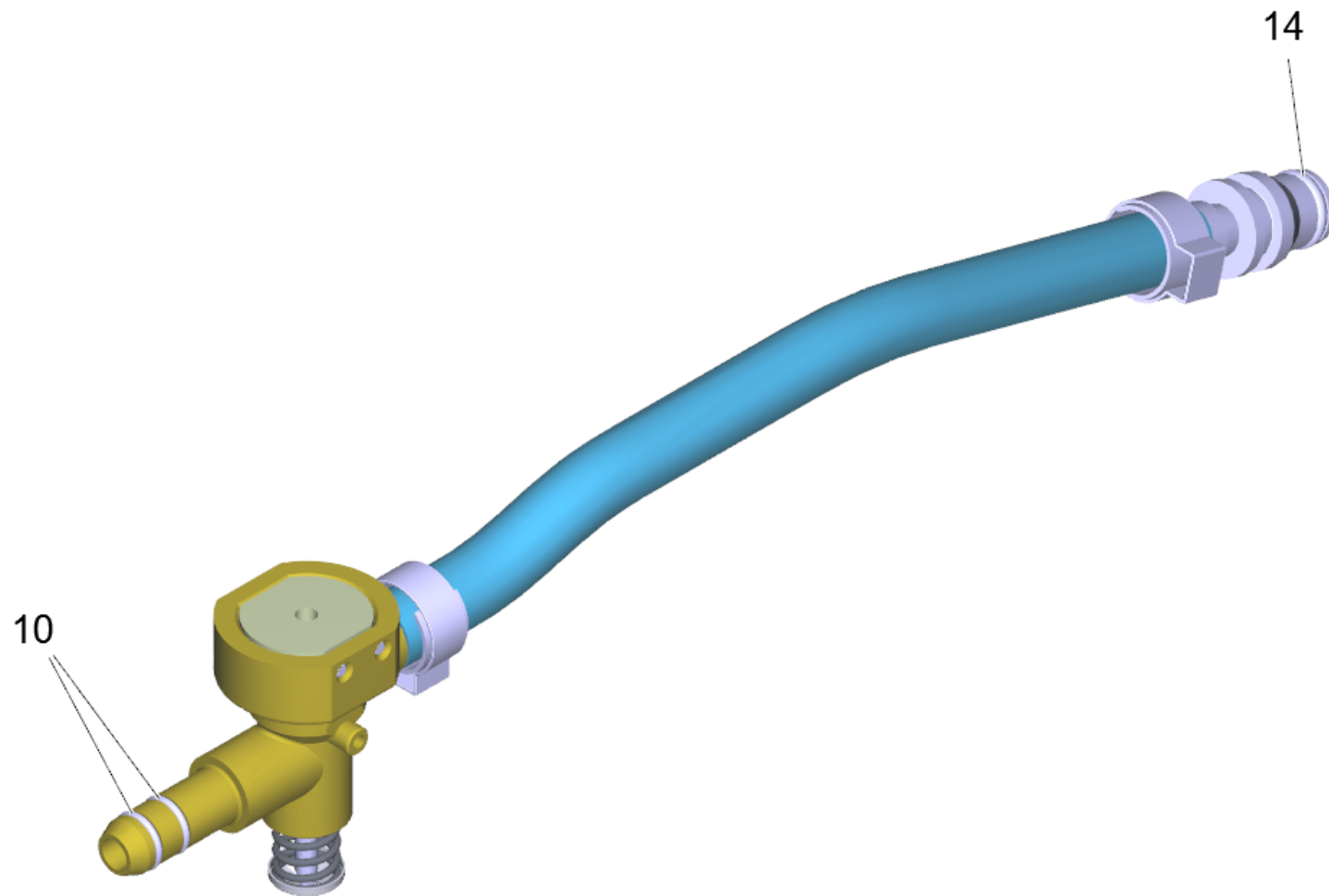
3 Spraying nozzle set (4.765-000.0)

POS	Article no.	Description	Quantity	Unit
2	6.363-242.0	O-Ring seal 6x2,2 EPDM 80 SH	1.000	ST
1	6.415-340.0	Nozzle mouthpiece 65G04	1.000	ST
3	5.032-026.0	Clip crevice nozzle	1.000	ST



13 Handhold complete packaged (4.130-000.0)

POS	Article no.	Description	Quantity	Unit
2	4.580-002.0	Valve complete	1.000	ST
12	5.310-000.0	Union nut	1.000	ST
13	5.031-029.0	Tension ring	1.000	ST
7	5.363-029.0	Seal vision panel	1.000	ST
11	7.303-117.0	Screw 4x20 -A2-70 (In6Rd)	4.000	ST
14	7.303-116.0	Screw 4x12-A2-70 (IN6RD)	1.000	ST
6	5.324-000.0	Pushbutton	1.000	ST
5	5.007-162.0	Plate	1.000	ST
3	6.362-402.0	O-Ring seal 11,0 X 1,3-NBR 70	1.000	ST
15	6.362-472.0	O-Ring seal 6,0 X 1,0-NBR 70	2.000	ST
8	5.384-002.0	Inspection glass	1.000	ST
9	4.321-038.0	Handhold few	1.000	ST
4	5.453-000.0	Connecting sleeve	1.000	ST



2 Valve complete (4.580-002.0)

POS	Article no.	Description	Quantity	Unit
10	6.363-574.0	O-Ring seal 6x1,2 - NBR 80	2.000	ST
14	6.362-113.0	O-Ring seal 6,0 x 2,0 NBR 70	1.000	ST

18 Roller complete with axle (4.515-342.0)

POS	Article no.	Description	Quantity	Unit
1	6.435-292.0	Roller only for replacement	1.000	ST
1	6.435-292.0	Roller only for replacement	1.000	ST
2	6.437-026.0	Axle	1.000	ST
2	6.437-026.0	Axle	1.000	ST