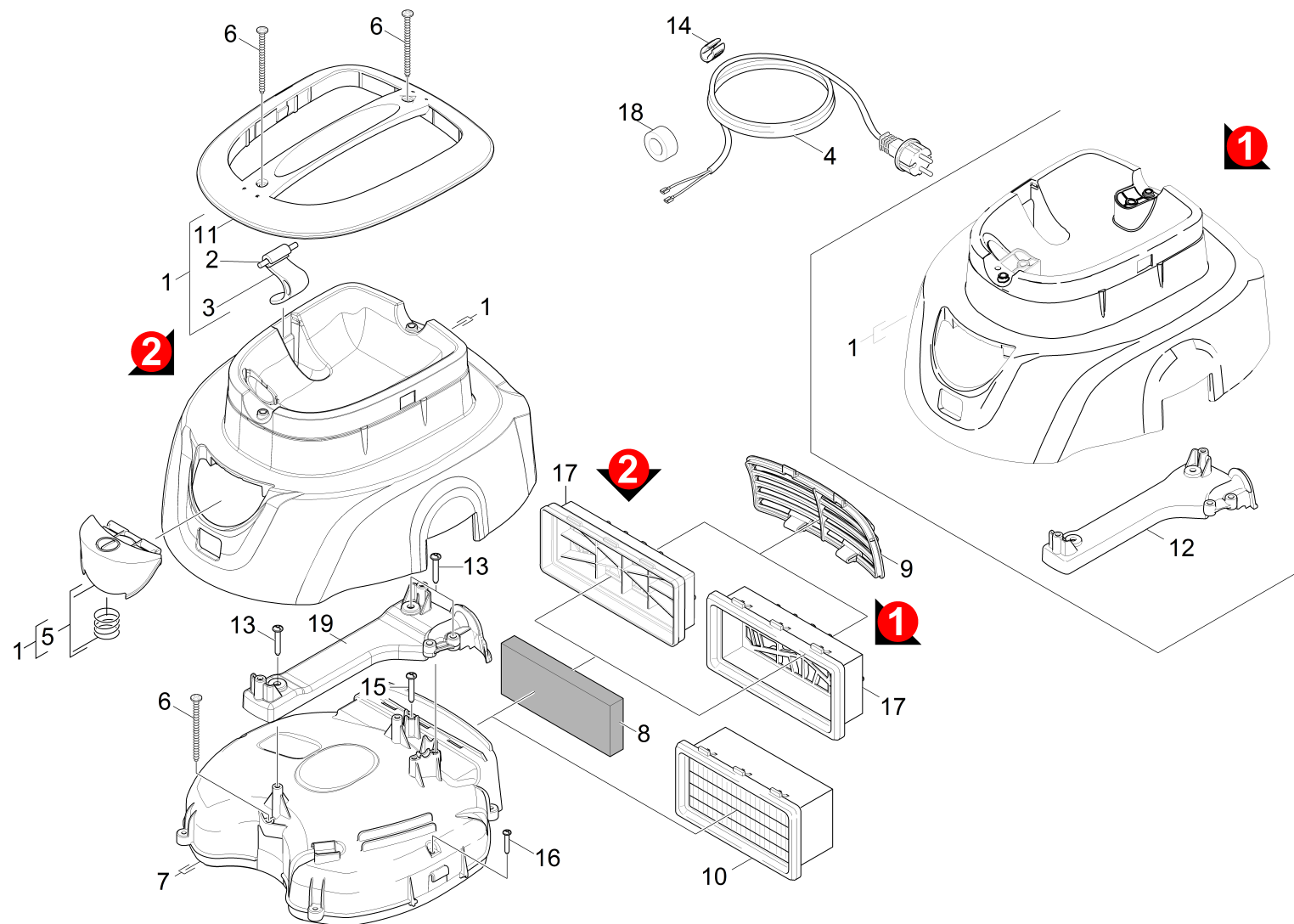


10 Housing

Overview technical documents/Professional/Vacuum cleaner/Dry vacuum cleaner/T 15/1 *EU (1.355-221.0)/Spare parts list T 15/1/10 Housing



10 Housing

Overview technical documents/Professional/Vacuum cleaner/Dry vacuum cleaner/T 15/1 *EU (1.355-221.0)/Spare parts list T 15/1/10 Housing

Rez.daļas/nodil.pakļ.daļas	Poz.	Materiāla Nr.	Nosaukums	Daudzums	Pārdoš. vienība	Daž. informācija
	1	4.069-029.0	Cover complete	1.000	ST	
Pozīcijas teksts: / -212.0 / -213.0 / -214.0 / -217.0 / -218.0 / -219.0 / -223.0						
	2	7.314-032.0	Straight pin 5m6x50 -St ISO 2338	1.000	ST	
	3	5.033-679.0	Catch for cable	1.000	ST	
	3	5.032-597.0	Catch for cable	1.000	ST	
	4	6.649-592.0	Power cable 15m PUR *AU	1.000	ST	
Pozīcijas teksts: /1.355-203.0 / -213.0						
	4	6.649-593.0	Power cable 15m PUR *GB	1.000	ST	
Pozīcijas teksts: /1.355-204.0 / -214.0						
	4	6.649-641.0	Power cable 15m PVC *CN	1.000	ST	
Pozīcijas teksts: /1.355-209.0 / -219.0						
	4	6.649-655.0	Strāvas vads 12 m PVC *EU	1.000	ST	
Pozīcijas teksts: /1.355-221.0						
	4	6.649-591.0	Power cable 15m PUR *CH	1.000	ST	
Pozīcijas teksts: /1.355-202.0 / -207.0 / -212.0 / -217.0						
	4	6.649-580.0	Power cable 15m PUR *EU	1.000	ST	
Pozīcijas teksts: /1.355-201.0 / -208.0 / -211.0 / -218.0/ -223.0						
	5	4.324-019.0	Pushbutton complete	1.000	ST	
	6	7.303-118.0	Skrūve 5x40 -A2-70 (IN6Rd)	3.000	ST	
	7	4.692-036.0	Air circulation complete only for replac	1.000	ST	
X-X	8	6.414-939.0	filter	1.000	ST	162mm x 64mm x 20mm
X	8	6.414-917.0	Filter only for replacement	1.000	ST	151mm x 53mm x 20mm
	9	5.032-569.0	Grate exhaust opening	1.000	ST	
	9	5.033-650.0	Grate exhaust opening qusty grey RAL 703	1.000	ST	
X-X	10	6.414-801.0	Filtrs HEPA	1.000	ST	

10 Housing

Overview technical documents/Professional/Vacuum cleaner/Dry vacuum cleaner/T 15/1 *EU (1.355-221.0)/Spare parts list T 15/1/10 Housing

Rez.daļas/nodil.pakļ.daļas	Poz.	Materiāla Nr.	Nosaukums	Daudzums	Pārdoš. vienība	Daž. informācija
	11	5.321-771.0	handhold	1.000	ST	
	12	5.672-305.0	Fixed adapter	1.000	ST	
	13	7.303-086.0	Skrūve 5x30 -10.9-R2R (K-In6Rd)	4.000	ST	
	14	5.032-940.0	Plug fixing black	1.000	ST	
	15	7.303-234.0	Screw 5x60 -10.9-A2K (K-In6Rd)	1.000	ST	
	16	7.303-084.0	Skrūve 4x25 -10.9-R2R (K-In6Rd)	2.000	ST	
	17	9.412-452.0	filer housing	1.000	ST	
	17	6.414-915.0	Filter housing	1.000	ST	
	18	6.346-043.0	Ferrite ring	1.000	ST	
	19	5.672-000.0	Fixed adapter	1.000	ST	