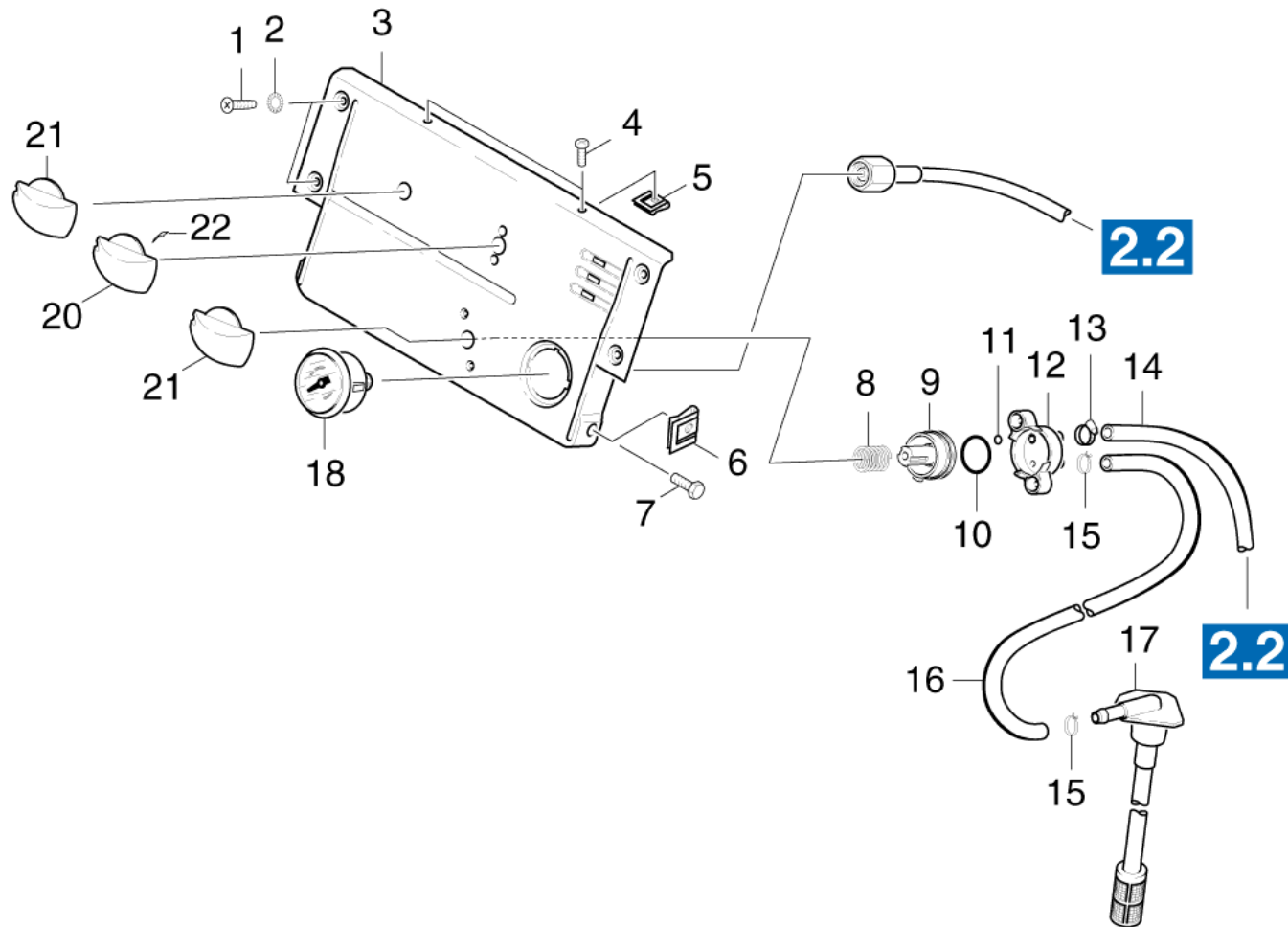


110 Control panel

Professional \ High pressure cleaner hotwater \ Electric motor \ HDS 695 M ECO*EU-II \ Spare parts list HDS 695 M ECO \ Control panel



110 Control panel

Professional \ High pressure cleaner hotwater \ Electric motor \ HDS 695 M ECO*EU-II \ Spare parts list HDS 695 M ECO \ Control panel



POS	Article no.	Description	Quantity	Unit	Foot note text
3	5.841-471.0	Control panel	1.000	ST	
	Item text1: / 1.025-320.0 / -324.0				
3	5.841-463.0	Control panel	1.000	ST	
	Item text1: / 1.025-311.0 / -312.0 / -315.0 / -316.0				
	Item text2: / -317.0 / -325.0				
3	5.841-468.0	Control panel	1.000	ST	
	Item text1: / 1.025-318.0 / -319.0				
3	5.841-487.0	Control panel HDS 650-4M	1.000	ST	
	Item text1: /1.025-351.0				
3	5.841-542.0	Control panel neutrally	1.000	ST	
	Item text1: 1.025-352.0				
17	6.414-028.0	Filter	1.000	ST	
21	5.321-633.0	Handhold	2.000	ST	
20	5.321-641.0	Handhold thermostat	1.000	ST	
8	5.332-474.0	Helical spring	1.000	ST	
7	7.304-382.0	Hexagonal head screw M 6x12-8.8-A2E ISO	2.000	ST	
15	6.388-559.0	Hose clip	2.000	ST	
13	6.388-515.0	Hose clip	1.000	ST	
16	6.388-225.0	Hose DN 7	1.000	M	ALS METERWARE BESTELLEN
14	6.388-194.0	Hose DN 7	1.000	M	ALS METERWARE BESTELLEN
11	6.362-386.0	O-Ring seal 5,0 x 1,5-NBR 80	1.000	ST	
10	6.362-712.0	O-Ring seal 25,3 X 2,4	1.000	ST	
18	6.421-170.0	Pressure gauge 0-315 BAR	1.000	ST	
	Item text1: / 1.025-311.0 / -312.0 / -315.0 / -316.0				
	Item text2: / -317.0 / -325.0				
6	6.310-082.0	Putting nut M6	2.000	ST	
1	7.303-038.0	Screw M5x12 -St-P2R (In6Rd)	4.000	ST	
4	7.303-078.0	Sheet metal screw ST4,8X19-ST-P2R (KOMBI-IN6RD)	2.000	ST	
5	6.310-034.0	Speed nut	2.000	ST	
22	6.313-014.0	Spring element	1.000	ST	
2	7.312-172.0	Toothed lock washer A5,3-FSt-A3E DIN 67	4.000	ST	
12	5.587-054.0	Valve housing	1.000	ST	
9	5.581-251.0	Valve seat	1.000	ST	