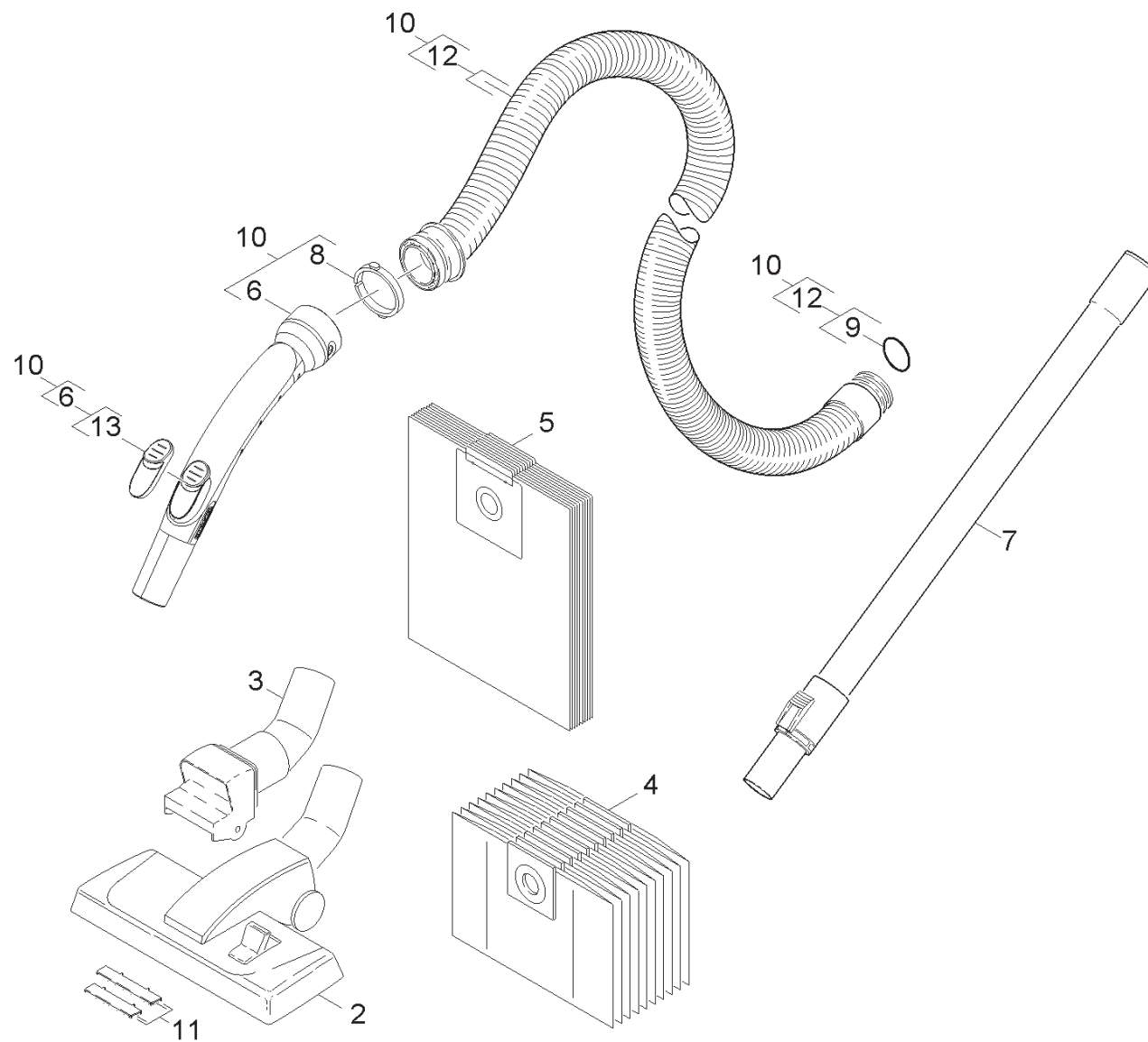


40 Accessories

Overview technical documents/Professional/Vacuum cleaner/Dry vacuum cleaner/T 12/1 (1.355-134.0)/Spare parts list T 12/1 *EU/40 Accessories



40 Accessories

Overview technical documents/Professional/Vacuum cleaner/Dry vacuum cleaner/T 12/1 (1.355-134.0)/Spare parts list T 12/1 *EU/40 Accessories

Rez.dajas/nodil.pakj.dajas	Poz.	Materiāla Nr.	Nosaukums	Daudzums	Pārdoš. vienība	no sēr. Nr..	līdz sēr. Nr.
	2	6.906-954.0	Combination nozzle DN 32	1.000	ST	0000000000	0000000000
	3	6.906-697.0	Joint complete	1.000	ST	0000000000	0000000000
X-X	4	6.904-312.0	Filtru maisi papīra T12, 10 iep.	1.000	ST	0000000000	0000000000
X-X	5	6.904-315.0	Putekļu maisiņš flīša T10 , T12	1.000	ST	0000000000	0000000000
X-X	6	4.408-051.0	Elbow	1.000	ST	0000000000	0000000000
X-X	7	6.903-524.0	Teleskopiska sūkšanas caurule	1.000	ST		
X-X	8	5.031-703.0	Tension ring C35	1.000	ST	0000000000	0000000000
	9	6.363-182.0	O-Ring seal 30,2 x 3,0	1.000	ST	0000000000	0000000000
X-X	10	4.440-907.0	Suction hose complete	1.000	ST	0000000000	0000000000
	10	4.440-982.0	Suction hose	1.000	ST		
	11	6.906-698.0	Thread clipper	1.000	ST	0000000000	0000000000
X-X	12	4.440-911.0	Suction hose complete	1.000	ST		
	13	5.032-729.0	Slider	1.000	ST		