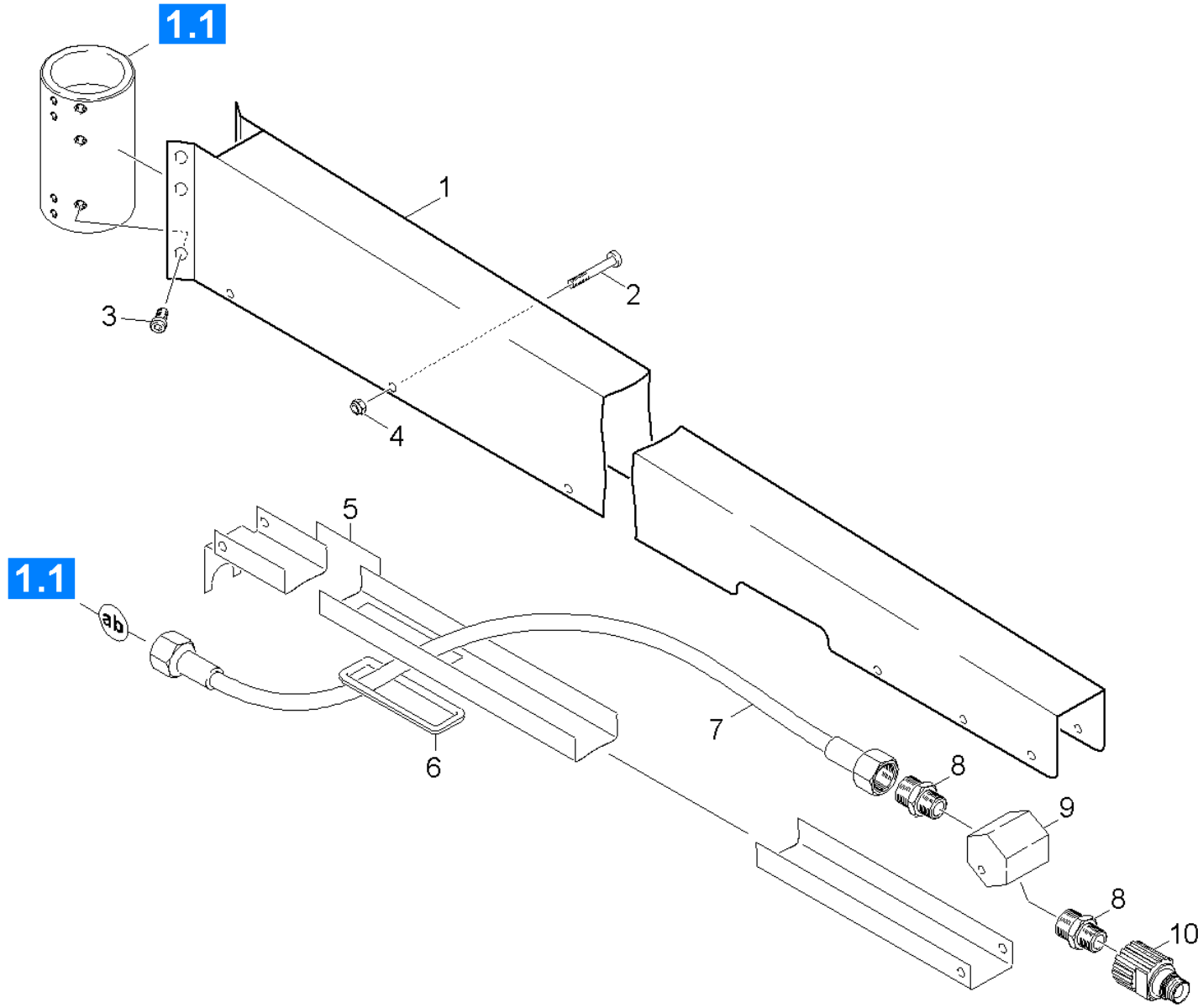


2.1 Boom high-pressure

Overview technical documents/Professional/Systems engineering/Self-service appliances/Multi bay system SB/SB-HDW 2/SB-HDW 2- RG MIT WT (1.773-045.0)/Documentation SB-HDW 2 OEL/Spare parts list SB-HDW2/180 Cover carousel/185 Cover carousel 5/2 Carrier cover carousel/100 Documentation pocket cover carousel



21 Boom high-pressure

Overview technical documents/Professional/Systems engineering/Self-service appliances/Multi bay system SB/SB-HDW 2/SB-HDW 2- RG MIT WT (1.773-045.0)/Documentation SB-HDW 2 OEL/Spare parts list SB-HDW2/180 Cover carousel/185 Cover carousel 5/2 Carrier cover carousel/100 Documentation pocket cover carousel

Rez.daļas/nodil.pakļ.daļas	Poz.	Materiāla Nr.	Nosaukums	Daudzums	Pārdoš. vienība	no sēr. Nr..	līdz sēr. Nr.
	1	5.049-809.0	Sheet metal component	1.000	ST	0000000000	0000000000
	2	7.306-034.0	Screw M6x55-A2-70 DIN 7984	5.000	ST	0000000000	0000000000
	3	7.306-223.0	Screw M8x12 -A2-70 (In6Rd)	6.000	ST	0000000000	0000000000
	4	7.311-422.0	Hexagon nut M 6-1.4305 ISO 10511	5.000	ST	0000000000	0000000000
	5	5.049-807.0	Sheet metal component high-pressure boom	1.000	ST	0000000000	0000000000
	6	6.368-089.0	Edge protection	1.000	M	0000000000	0000000000
X-X	7	6.389-055.0	High pressure hose DN 8	1.000	ST	0000000000	0000000000
X-X	8	5.402-257.0	Screw union	2.000	ST	0000000000	0000000000
	9	5.402-656.0	screw union	1.000	ST	0000000000	0000000000
X-X	10	4.401-076.0	Rotating coupler	1.000	ST		