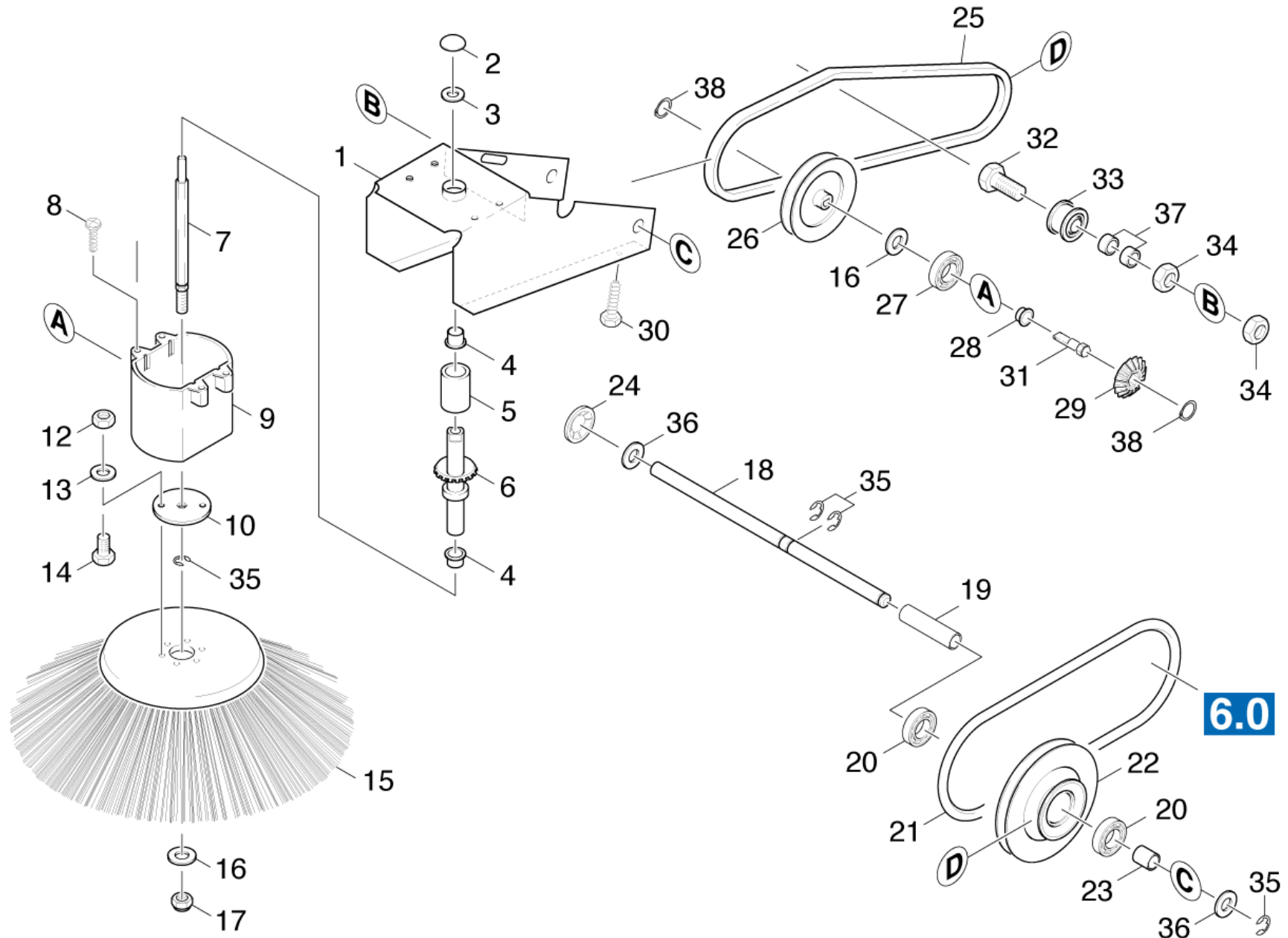


50 Transmission side broom

Professional \ Sweepers \ Walk behind \ Electric motor \ KSM 750 BAT \ Spare parts list KSM 750 BAT \ Transmission side broom



50 Transmission side broom

Professional \ Sweepers \ Walk behind \ Electric motor \ KSM 750 BAT \ Spare parts list KSM 750 BAT \ Transmission side broom



POS	Article no.	Description	Quantity	Unit	valid from	valid until
7	5.105-179.0	Axle side broom	1	PC		
20	6.401-363.0	Ball bearing	2	PC		
27	7.401-174.0	Ball bearing 688-2Z -Wälzl.St DIN 625	1	PC		
4	6.437-484.0	Bearing bush	2	PC		
28	6.437-485.0	Bearing bush	1	PC		
26	5.625-332.0	Belt pulley	1	PC		
22	5.625-274.0	Belt pulley side broom	1	PC		
32	7.306-049.0	Cylinder head screw M 8x45-8.8-A2E ISO	1	PC		
33	6.435-274.0	Deflection pulley	1	PC		
12	7.311-003.0	Hexagon nut M6 -8-A2E ISO 4032	2	PC		
34	7.311-004.0	Hexagon nut M8 -8-A3E ISO 4032	2	PC		
17	7.311-427.0	Hexagon nut M8-04-A2E DIN 985	1	PC		
6	5.100-109.0	Hollow shaft	1	PC		
9	5.060-553.0	Housing	1	PC		
38	7.343-014.0	Locking ring 8x0,8-FST-PHR DIN 471	2	PC		
2	6.343-129.0	Lock washer	1	PC		
35	7.343-205.0	Lock washer 9-St-A2E DIN 6799	4	PC		
29	5.352-060.0	Pinion	1	PC		
24	6.343-180.0	Quick-fastener Starlock	1	PC		
21	6.348-346.0	Round belt -SL=830	1	PC		
8	6.303-155.0	Screw 5x16	4	PC		
14	7.306-090.0	Screw M6x16 -8.8-P2R (In6Rd)	2	PC		
31	5.100-186.0	Shaft	1	PC		
30	7.303-326.0	Sheet metal screw ST3,5x9,5 -St-flZn/nc4	1	PC		
15	6.951-073.0	Side broom	1	PC		
5	5.110-591.0	Sleeve	1	PC		
23	5.110-580.0	Sleeve	1	PC		
37	6.347-094.0	Spacer sleeve	2	PC		
1	7.777-999.0	Stockpiling discontinued	1	PC		16900
1	7.777-999.0	Stockpiling discontinued	1	PC	16901	
18	7.777-999.0	Stockpiling discontinued	1	PC		
19	7.777-999.0	Stockpiling discontinued	1	PC		
25	6.348-324.0	V-Belt 10 X 540 LI	1	PC	16901	

50 Transmission side broom

Professional \ Sweepers \ Walk behind \ Electric motor \ KSM 750 BAT \ Spare parts list KSM 750 BAT \ Transmission side broom



POS	Article no.	Description	Quantity	Unit	valid from	valid until
25	6.348-285.0	V-Belt X10	1	PC		16900
10	5.115-509.0	Washer	1	PC		
13	7.312-003.0	Washer 6 -200HV-A3E ISO 7089	2	PC		
3	7.312-292.0	Washer 6 -A2 ISO 7093-1	1	PC		
16	7.312-004.0	Washer 8 -200HV-A3E ISO 7089	2	PC		
36	7.312-008.0	Washer 12-200HV-A2K ISO 7089	1	PC		