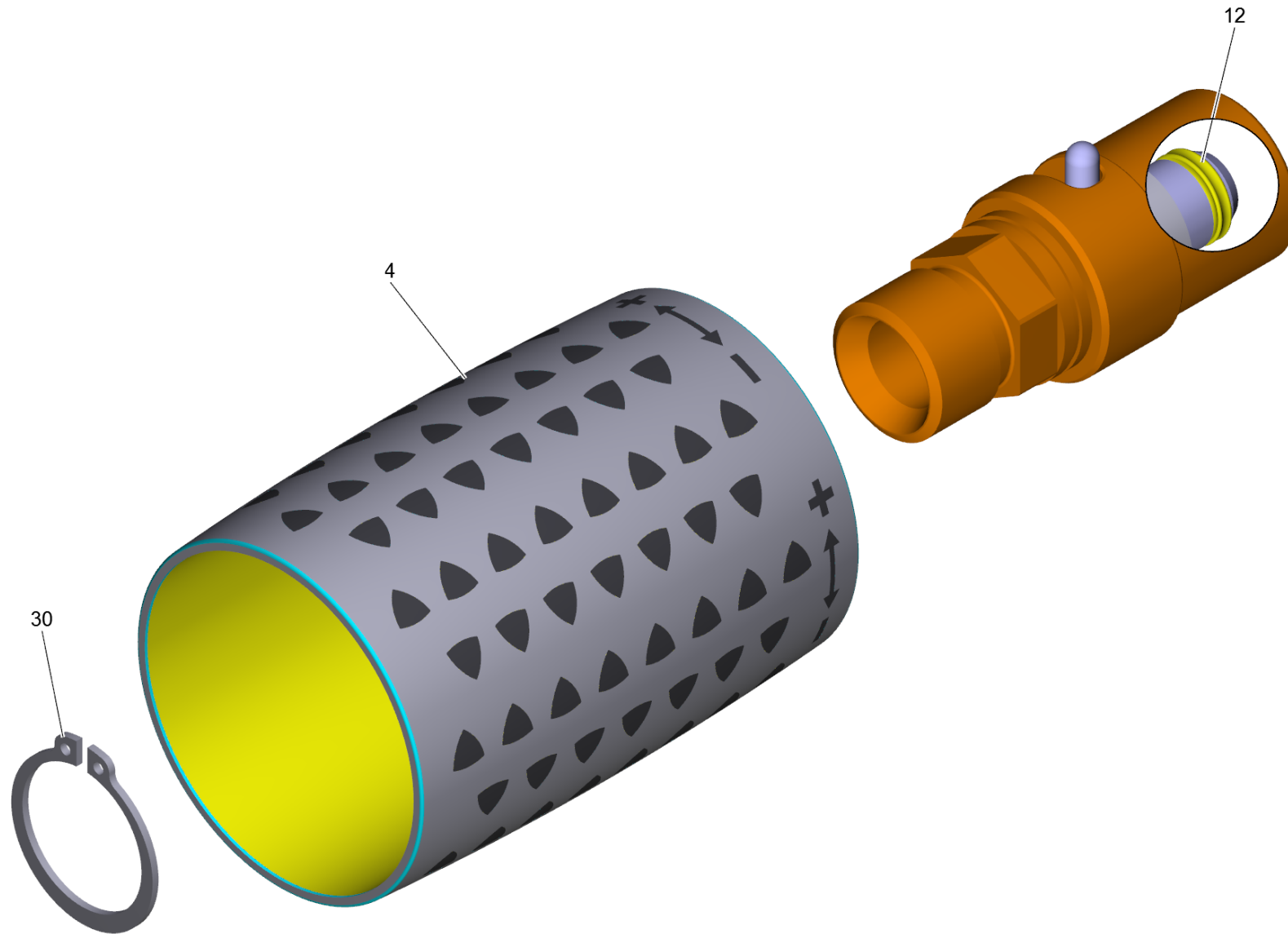


1 Rotary controller 416L (4.775-470.0)

Professional \ High pressure cleaner hotwater \ Electric motor \ HDS 8/18-4M Plus Sochi *EU I \ Spare parts list HDS 8/18-4M Plus *EU \ Accessories \ Rotary controller \ Rotary controller 416L



1 Rotary controller 416L (4.775-470.0)

Professional \ High pressure cleaner hotwater \ Electric motor \ HDS 8/18-4M Plus Sochi *EU I \ Spare parts list HDS 8/18-4M Plus *EU \ Accessories \ Rotary controller \ Rotary controller 416L



POS	Article no.	Description	Quantity	Unit
4	5.321-668.0	Handle	1.000	ST
12	6.362-064.0	Quad joint ring 9.19x2.62	1.000	ST
30	7.343-069.0	Locking ring 25x1,2-1.4122 DIN 471	1.000	ST