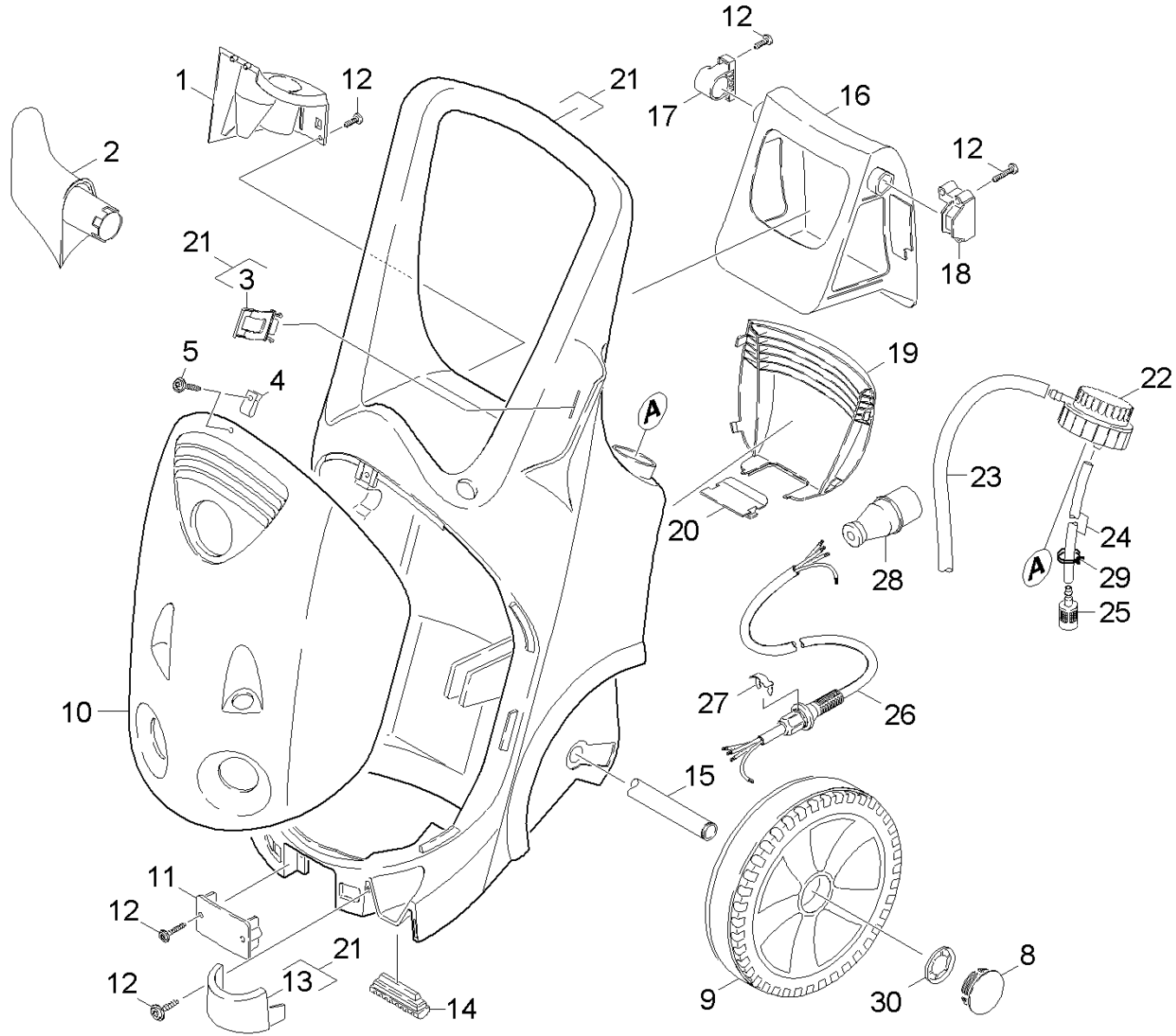


10 Housing

Overview technical documents/Professional/High pressure cleaner cold water/Electric motor/HD 10/25-4 S Classic*EU-I (1.286-118.0)/Spare parts list HD 10/25-4 S Classic*EU/10 Housing



10 Housing

Overview technical documents/Professional/High pressure cleaner cold water/Electric motor/HD 10/25-4 S Classic*EU-I (1.286-118.0)/Spare parts list HD 10/25-4 S Classic*EU/10 Housing

Rez.daļas/nodil.pakļ.daļas	Poz.	Materiāla Nr.	Nosaukums	Daudzums	Pārdoš. vienība	no sēr. Nr..	līdz sēr. Nr.
	1	5.667-061.0	Nozzle holder	1.000	ST	0000000000	0000000000
X	2	5.044-668.0	Holder	1.000	ST	0000000000	0000000000
X-X	3	5.044-666.0	Teleskopiska strūklas caurules turētājs	1.000	ST	0000000000	0000000000
X	4	6.310-053.0	Uzgrieznis	1.000	ST	0000000000	0000000000
X-X	5	6.304-099.0	skr. ar ovālu galvu M 6x 18-4.8-R2R	1.000	ST	0000000000	0000000000
X-X	8	2.889-086.0	Set wheel cap	2.000	ST	0000000000	0000000000
X-X	9	4.515-344.0	Ratas from 4.515-092.0	2.000	ST	0000000000	0000000000
X-X	10	5.069-441.0	from 5.069-035.0	1.000	ST	0000000000	0000000000
	11	5.032-463.0	Covering cap hose guide	1.000	ST	0000000000	0000000000
X-X	12	7.303-110.0	Screw 5x35 -10.9-R2R (In6Rd)	8.000	ST	0000000000	0000000000
X-X	13	5.013-091.0	Funnel	1.000	ST	0000000000	0000000000
X-X	14	5.057-062.0	Stiprinājums	2.000	ST	0000000000	0000000000
	15	5.033-342.0	Axle	1.000	ST		
	16	5.032-426.0	Covering cap	1.000	ST	0000000000	0000000000
	17	5.251-049.0	Bearing support right	1.000	ST	0000000000	0000000000
	18	5.251-048.0	Bearing support left	1.000	ST	0000000000	0000000000
	19	5.032-406.0	Covering cap	1.000	ST	0000000000	0000000000
	20	5.032-413.0	Covering cap drawer	1.000	ST	0000000000	0000000000
	21	4.050-601.0	Frame complete	1.000	ST	0000000000	0000000000
X-X	22	4.580-814.0	Chemistry mertering valve only for repla	1.000	ST	0000000000	0000000000
X-X	23	6.388-194.0	Šļūtene DN 7	1.000	M	0000000000	0000000000
	24	6.388-216.0	Šļūtene DN 5	1.000	M	0000000000	0000000000
X	25	5.731-652.0	Filtrs ar atsvariņu	1.000	ST	0000000000	0000000000
X-X	26	6.648-773.0	Kabelis, pilns komplekts	1.000	ST	0000000000	0000000000
X-X	27	6.343-186.0	Bloķētājgredzens	1.000	ST	0000000000	0000000000

10 Housing

Overview technical documents/Professional/High pressure cleaner cold water/Electric motor/HD 10/25-4 S Classic*EU-I (1.286-118.0)/Spare parts list HD 10/25-4 S Classic*EU/10 Housing

Rez.daļas/nodil.pakļ.daļas	Poz.	Materiāla Nr.	Nosaukums	Daudzums	Pārdoš. vienība	no sēr. Nr..	līdz sēr. Nr.
	28	6.646-030.0	Spraudnis CEE 16A	1.000	ST	0000000000	0000000000
	29	6.389-567.0	Hose clip	1.000	ST	0000000000	0000000000
X-X	30	6.343-162.0	Sprostpaplāksne - 25	2.000	ST		