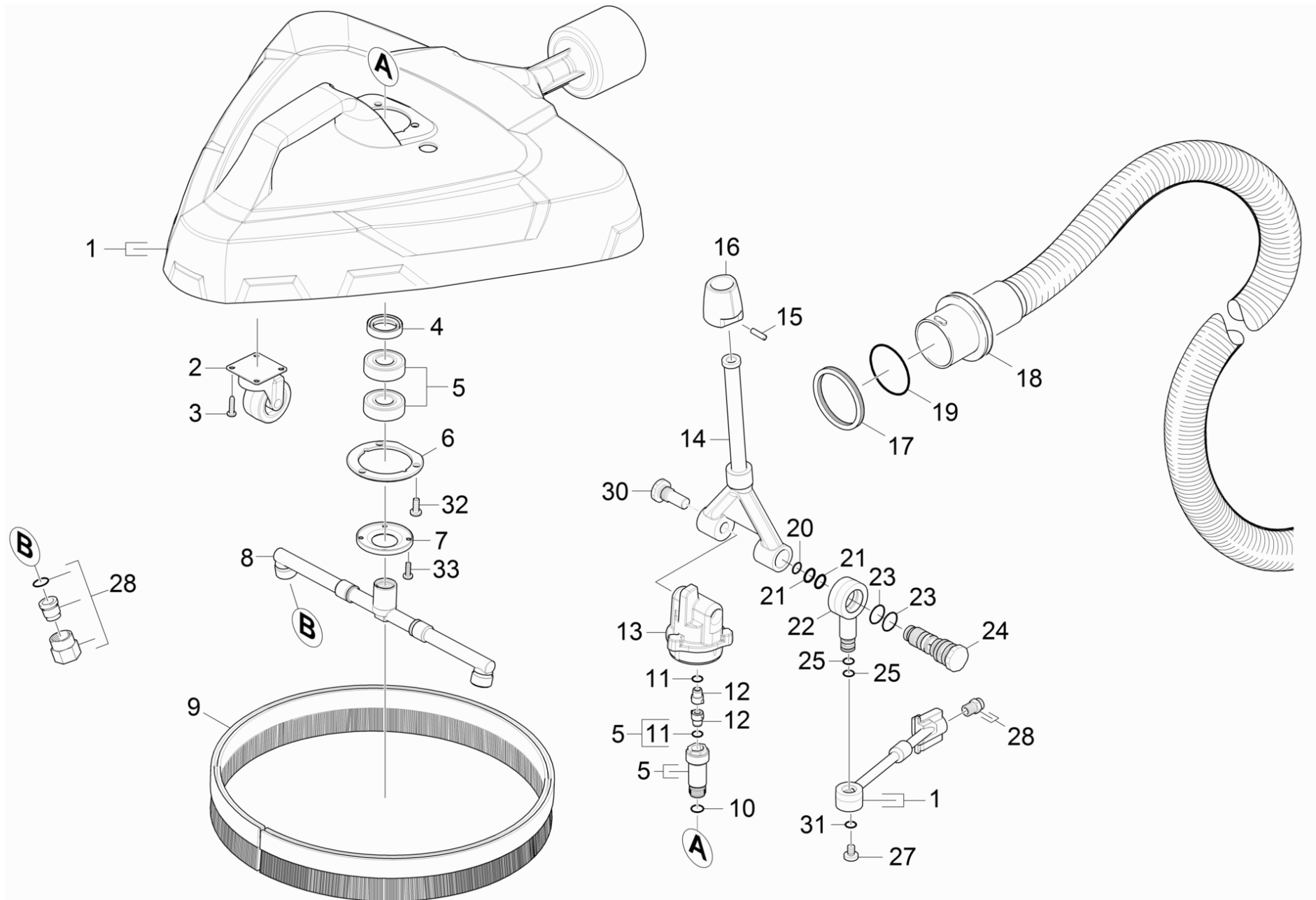


# 10 Surface cleaner

Professional \ High pressure cleaner hotwater \ Accessories \ FRV 30 \ Spare parts list Venturion \ Surface cleaner



## 10 Surface cleaner

Professional \ High pressure cleaner hotwater \ Accessories \ FRV 30 \ Spare parts list Venturion \ Surface cleaner



| POS | Article no. | Description                             | Quantity | Unit |
|-----|-------------|---|----------|------|
| 1   | 2.885-373.0 | Spare part set cover manifold           | 1        | PC   |
| 2   | 6.435-842.0 | Castor                                  | 3        | PC   |
| 3   | 7.303-274.0 | Screw 5x12 -A2-70 (In6Rd)               | 12       | PC   |
| 4   | 7.367-000.0 | Radial shaft seal ring A20x30x7-NBR DIN | 1        | PC   |
| 5   | 4.250-078.0 | Bearing complete                        | 1        | PC   |
| 6   | 7.777-999.0 | Stockpiling discontinued                | 1        | PC   |
| 7   | 5.122-478.0 | Flange                                  | 1        | PC   |
| 8   | 4.764-205.0 | Nozzle holder                           | 1        | PC   |
| 9   | 6.371-203.0 | Brush-corona FRV 30                     | 1        | PC   |
| 10  | 6.362-388.0 | O-Ring seal 8,0x1,5 -EPDM 70            | 1        | PC   |
| 11  | 6.362-658.0 | O-Ring seal 7 X 1,5-NBR 90              | 2        | PC   |
| 12  | 5.111-322.0 | Sleeve                                  | 2        | PC   |
| 13  | 5.481-405.0 | Base body FR 30                         | 1        | PC   |
| 14  | 4.802-032.0 | Angle joint FR 30                       | 1        | PC   |
| 15  | 6.343-150.0 | Pin 03                                  | 1        | PC   |
| 16  | 5.394-530.0 | Protection part complete                | 1        | PC   |
| 17  | 6.273-009.0 | Joint ring EPDM                         | 1        | PC   |
| 18  | 4.440-938.0 | FRV 30 suction hose DN 32               | 1        | PC   |
| 19  | 6.362-979.0 | O-Ring 50x2,2 NBR 70                    | 1        | PC   |
| 20  | 6.363-142.0 | O-Ring 10x1.5N BR 90                    | 1        | PC   |
| 21  | 6.363-280.0 | O-Ring seal 12,0 x 2,0-NBR 90           | 2        | PC   |
| 22  | 5.427-444.0 | Manifold                                | 1        | PC   |
| 23  | 6.362-524.0 | O-Ring seal 17,0 X 1,5                  | 2        | PC   |
| 24  | 5.100-624.0 | Shaft                                   | 1        | PC   |
| 25  | 6.419-059.0 | O-Ring seal 9,0 X 1,5 -NBR 70           | 2        | PC   |
| 27  | 7.306-190.0 | Screw M6x8 -A2-70 (In6Rd)               | 1        | PC   |
| 28  | 2.642-433.0 | Nozzle pack 050                         | 1        | PC   |
| 28  | 2.642-982.0 | Nozzle pack 080                         | 1        | PC   |
| 28  | 2.642-430.0 | Nozzle pack 035                         | 1        | PC   |
| 28  | 2.642-432.0 | Nozzle pack 045                         | 1        | PC   |
| 28  | 2.642-431.0 | Nozzle pack 040                         | 1        | PC   |
| 30  | 5.100-501.0 | Shaft                                   | 1        | PC   |
| 31  | 6.362-703.0 | O-Ring seal 6,0x1,5-NBR 70              | 1        | PC   |

## 10 Surface cleaner

Professional \ High pressure cleaner hotwater \ Accessories \ FRV 30 \ Spare parts list Venturion \ Surface cleaner



| POS | Article no. | Description                 | Quantity | Unit |
|-----|-------------|-----------------------------|----------|------|
| 32  | 7.306-181.0 | Screw M 5x 12-A2-70 (In6Rd) | 3        | PC   |
| 33  | 7.306-204.0 | Screw M 3X 10-A2-70 (IN6RD) | 4        | PC   |