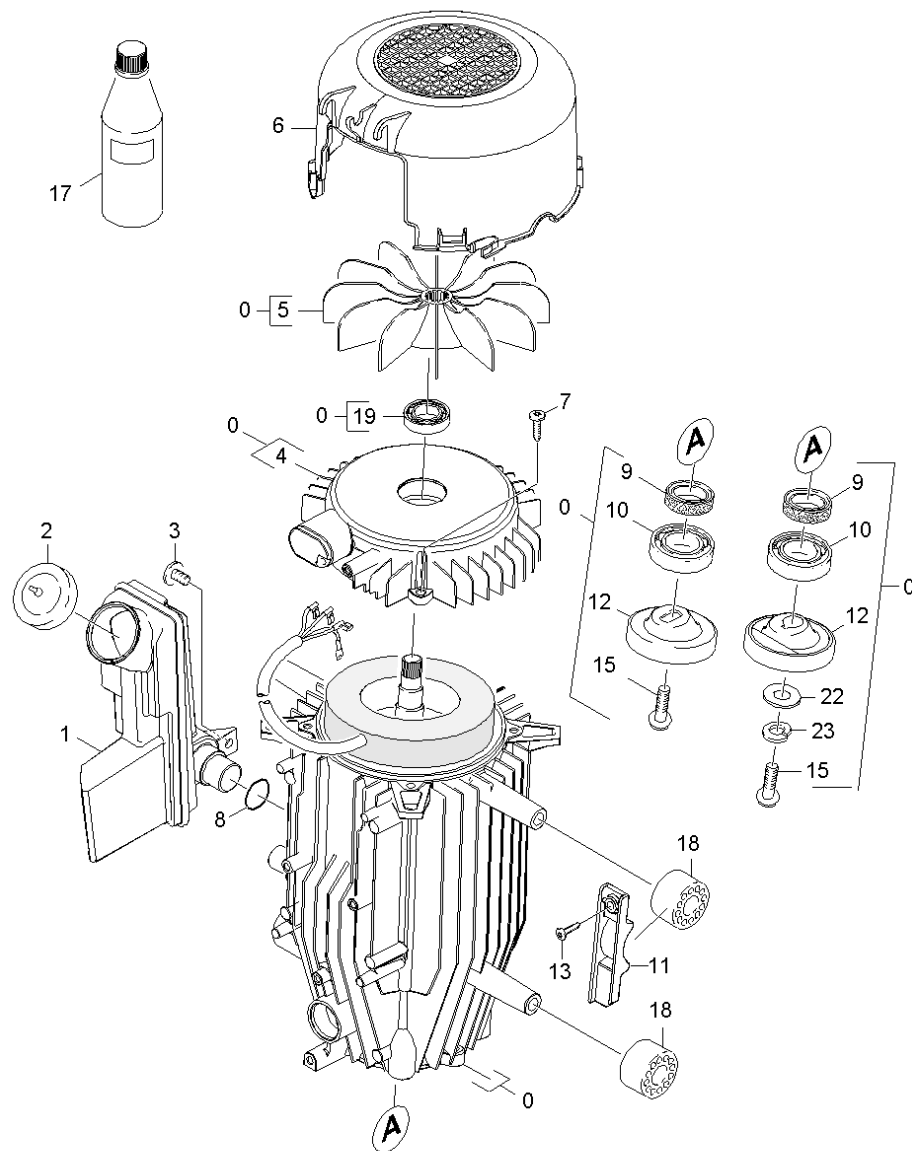


30 Motor

Professional \ High pressure cleaner cold water \ Electric motor \ HD 7/16 C *KAP \ Spare parts list HD 6/15, HD 7/18 \ Motor



30 Motor

Professional \ High pressure cleaner cold water \ Electric motor \ HD 7/16 C *KAP \ Spare parts list HD 6/15, HD 7/18 \ Motor

KÄRCHER

POS	Preces Nr.	Apraksts	Skaitis	Vienība	Sērijas numurs no	Sērijas numurs līdz
0	4.623-850.0	Motor complete only for replacement Vienuma teksts 1: 1.151-606.0	1.000	ST		
0	4.623-866.0	Motor complete only for replacement Vienuma teksts 1: 1.214-120.0 / -122.0 / -123.0 /	1.000	ST		
0	4.623-675.0	motor complete Vienuma teksts 1: 1.150-601.0 / -603.0 / -604.0 / -606.0 / -607.0 / -613.0 /-619.0	1.000	ST	0000000000	0000000000
0		Motor complete only for replacement Vienuma teksts 1: 1.150-612.0	1.000	ST		
0	4.623-794.0	Motor complete only for replacement Vienuma teksts 1: 1.151-608.0	1.000	ST		
0	4.623-868.0	Motor complete only for replacement Vienuma teksts 1: 1.214-121.0	1.000	ST		
0	4.623-754.0	Motor complete Vienuma teksts 1: 1.150-602.0 / -622.0	1.000	ST	0000000000	0000000000
0	4.623-683.0	motor complete Vienuma teksts 1: 1.151-601.0 / -602.0/ -603.0 / -604.0 Vienuma teksts 2: -605.0 /-607.0 /-612.0	1.000	ST	0000000000	0000000000
0	4.623-692.0	Motor complete only for replacement Vienuma teksts 1: 1.150-608.0	1.000	ST	0000000000	0000000000
0	4.623-699.0	Motor complete only for replacement Vienuma teksts 1: 1.150-609.0 / -615.0 /	1.000	ST		
1	5.070-639.0	Eļļas tvertne	1.000	ST	0000000000	0000000000
2	5.063-389.0	Vāks Vienuma teksts 1: 1.150-601.0/-602.0/-603.0/-604.0/-606.0/-607.0/-608.0 /-609.0/-612.0/-613.0/-615.0/-619.0/-622.0/ 1.214-120.0/-121.0/-122.0 /-123.0	1.000	ST	0000000000	0000000000
2	5.063-195.0	Vāks Vienuma teksts 1: 1.151-601.0/-602.0/ -603.0/ -604.0 Vienuma teksts 2: -605.0/ -606.0 /-607.0 /-608.0 /-612.0	1.000	ST	0000000000	0000000000
3	6.303-153.0	Screw M5x15-ST-R2R (IN6RD)	1.000	ST	0000000000	0000000000
4	5.094-148.0	Gultņa vāks B	1.000	ST	0000000000	0000000000
4	5.064-197.0	Gultņa vāks B Vienuma teksts 1: 1.214-120.0 / -121.0 / -122.0 / -123.0	1.000	ST		
5	5.600-060.0	Darbrats	1.000	ST	0000000000	0000000000
6	5.692-081.0	Gaisa cirkulācija	1.000	ST	0000000000	0000000000

POS	Preces Nr.	Apraksts	Skaits	Vieniba	Sērijas numurs no	Sērijas numurs līdz
7	6.303-320.0	Screw M 5x 20-St-R2R	4.000	ST	0000000000	0000000000
8	6.362-161.0	Gredzenblīve 19,3 X 2,4	1.000	ST		
9	7.367-001.0	Vārpstas blīvslēgs A24x37x7 -NBR DI	1.000	ST	0000000000	0000000000
10	6.401-427.0	Angular contact ball bearing	1.000	ST	0000000000	0000000000
11	5.802-288.0	Mounting part	2.000	ST	0000000000	0000000000
12	4.120-225.0	Wobble plate complete only for replaceme	1.000	ST		
	Vienuma teksts 1: 1.150-609.0 / -615.0 /					
12	4.120-222.0	Wobble plate complete only for replaceme	1.000	ST		
	Vienuma teksts 1: 1.151-606.0					
12	6.401-307.0	Slīpā paplāksne	1.000	ST	0000000000	0000000000
	Vienuma teksts 1: 1.150-601.0 /-602.0 /-603.0 /-604.0 /-606.0 /-607.0 /-613.0 /-619.0 /-622.0 /					
12	4.120-213.0	Wobble plate	1.000	ST	0000000000	0000000000
	Vienuma teksts 1: 1.151-601.0 / -602.0/ -603.0/ -604.0 -605.0 /-607.0 /-612.0 1.214-120.0 /-122.0 /-123.0					
12	4.120-216.0	Wobble plate	1.000	ST	0000000000	0000000000
	Vienuma teksts 1: 1.150-608.0 / -612.0 /					
12	4.120-219.0	Wobble plate complete	1.000	ST		
	Vienuma teksts 1: 1.151-608.0 / 1.214-121.0 /					
13	7.303-108.0	Skrūve 5x20 -10.9-R2R (In6Rd)	2.000	ST	0000000000	0000000000
15	9.086-169.0	Wobble plate screw M8x16	1.000	ST	0000000000	0000000000
	Vienuma teksts 1: 1.150-601.0 /-602.0 /-603.0 /-604.0 /-606.0 /-607.0 /-609.0 /-613.0 /-615.0 /-619.0 /-622.0					
15	7.306-042.0	Cylinder head screw M8x25 -8.8-A2E ISO4	1.000	ST	0000000000	0000000000
	Vienuma teksts 1: 1.151-601.0/-602.0/-603.0/-604.0/-605.0/ /-606.0/-607.0/-608.0/-612.0 1.150-608.0 /-612.0 1.214-120.0 /-122.0 /-123.0					
17	6.288-050.0	Transmisijas eļļa 1 l	1.000	ST	0000000000	0000000000
	Vienuma teksts 1: 1.150-601.0/-602.0/-603.0/-604.0/-606.0/-607.0/-608.0 /-609.0/-612.0/-613.0/-615.0/-619.0/-622.0 / 1.214-120.0/-121.0/-122.0 /-123.0					
17	6.288-016.0	Transmisijas eļļa	1.000	ST	0000000000	0000000000
	Vienuma teksts 1: 1.151-601.0 / -602.0/ -603.0/ -604.0					
	Vienuma teksts 2: -605.0/ -606.0/ -607.0/ /-608.0 /-612.0					
18	5.767-005.0	Gumijas buferis	4.000	ST	0000000000	0000000000
19	7.401-128.0	Lod.gultnis 6202-2RS -Wāzl.St DIN 625	1.000	ST	0000000000	0000000000
22	7.312-277.0	Washer 8-200HV-A2E ISO7093-1	1.000	ST	0000000000	0000000000
	Vienuma teksts 1: 1.151-601.0/-602.0/-603.0/-604.0/-605.0 /-606.0/-607.0/-608.0/-612.0 / 1.150-608.0/-612.0					
23	7.313-004.0	Spring washer B 8-FSt-A3E DIN 127	1.000	ST	0000000000	0000000000
	Vienuma teksts 1: 1.151-601.0/-602.0/-603.0/-604.0/-605.0 /-606.0/-607.0/-608.0/-612.0 / 1.150-606.0/-608.0/-612.0					