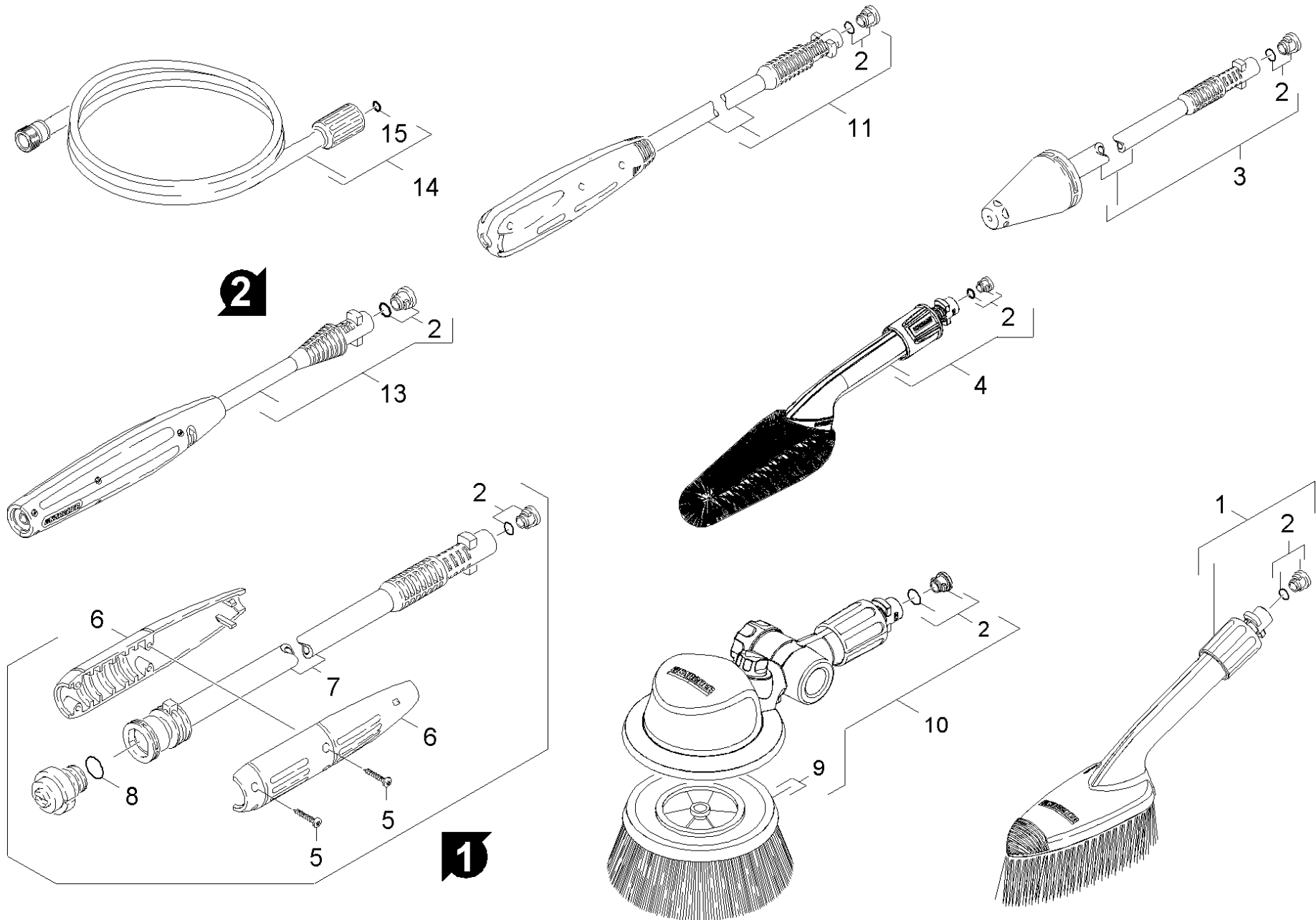


44 Jet pipe

Home and Garden \ High pressure cleaner cold water \ Electric motor \ K 3 \ K 3.20 M Plus T 250 *EU \ Spare parts list K 39X M \ Accessories \ Jet pipe



44 Jet pipe

Home and Garden \ High pressure cleaner cold water \ Electric motor \ K 3 \ K 3.20 M Plus T 250 *EU \ Spare parts list K 39X M \ Accessories \ Jet pipe



POS	Article no.	Description	Quantity	Unit
1	2.640-589.0	Brush lengthwise	1	PC
2	2.640-729.0	O-Ring seal set	3	PC
3	4.764-375.0	Dirt blaster middle 031 ST	1	PC
4	2.640-699.0	Brush cylindrical	1	PC
5	6.303-122.0	M4 .2X13 DIN 7981 TORX T15 PAN HD HI/LO	6	PC
6	9.036-402.0	Handhold few complete	1	PC
7	7.777-999.0	Stockpiling discontinued	1	PC
8	6.362-534.0	O-Ring seal 18,0 X 2,0-NBR 70	1	PC
9	5.762-331.0	Carrier brushes	1	PC
10	2.643-236.0	WB 100 washing brush	1	PC
11	7.777-999.0	Stockpiling discontinued	1	PC
13	4.760-534.0	VPS K3 0287 K	1	PC
14	6.389-092.0	XH 10 extension hose	1	PC
15	2.880-990.0	Spare part set O-Ring 5x -Kaercher	1	PC