

## **Spare parts list**

(1.291-202.0) BDS 43/150 C \*EU

## Table of contents

---

|  |    |
|--|----|
| BDS 43/150 C *EU (1.291-202.0)                 | 3  |
| Spare parts list BDS43/150C,410C (5.970-206.0) | 4  |
| 10 Work head                                   | 5  |
| 11 Individual parts                            | 6  |
| 12 Individual parts                            | 8  |
| 13 Transmission                                | 10 |
| 20 Shearing shackle                            | 12 |
| 21 Shearing shackle                            | 13 |
| 22 Shearing shackle                            | 15 |
| 30 Accessories                                 | 18 |
| 31 Pads  | 19 |
| 32 Tank  | 22 |
| 33 Suction mechanism                           | 24 |

BDS 43/150 C \*EU (1.291-202.0)

---

| POS | Article no.          | Description                      | Quantity | Unit |
|-----|----------------------|----------------------------------|----------|------|
| 0   | 5.970-206.0          | Spare parts list BDS43/150C,410C | 1.000    | ST   |
|     | Item text2: 12912020 |                                  |          |      |

---

Spare parts list BDS43/150C,410C (5.970-206.0)

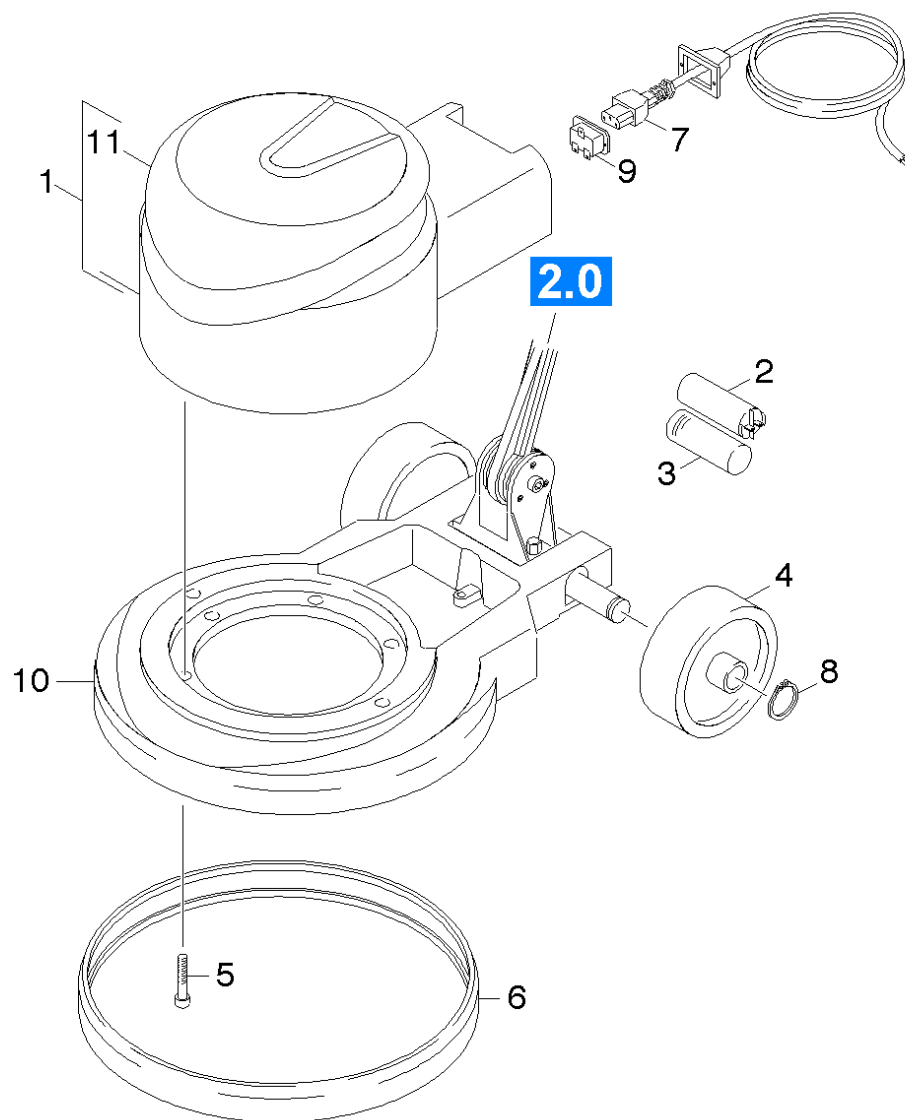
---

| <b>POS</b> | <b>Description</b> | <b>Quantity</b> | <b>Unit</b> |
|------------|--------------------|-----------------|-------------|
| 10         | Work head          | 1.000           | ST          |
| 20         | Shearing shackle   | 1.000           | ST          |
| 30         | Accessories        | 1.000           | ST          |

## 10 Work head

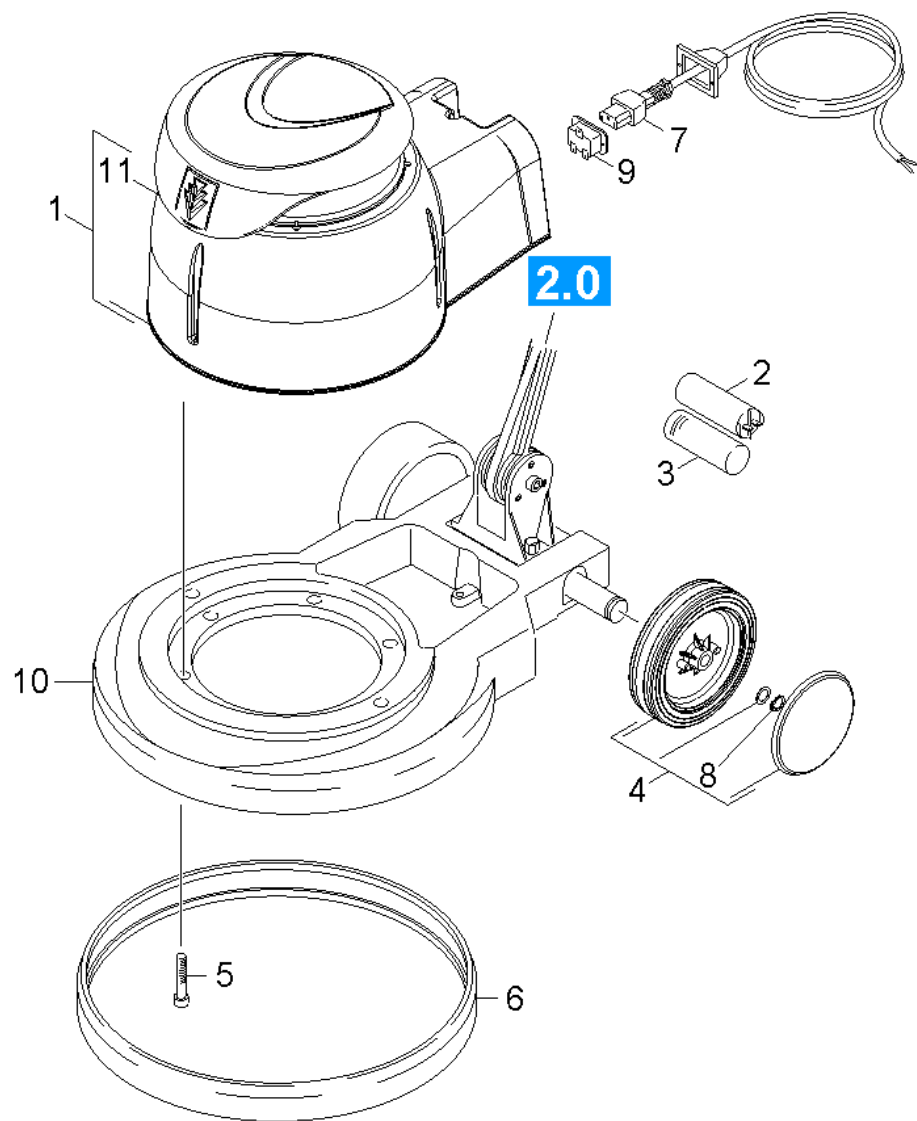
---

| POS | Description   | Quantity | Unit | Foot note text |
|-----|---|----------|------|----------------|
| 11  | Individual parts<br><b>Item text1:</b> 1.291-202.0 / -203.0 / -204.0 / -207.0 | 1.000    | ST   | VERSION 1      |
| 12  | Individual parts<br><b>Item text1:</b> 1.291-214.0 / -215.0 / -216.0 / -218.0 | 1.000    | ST   | VERSION 2      |
| 13  | Transmission  | 1.000    | ST   |                |



## 11 Individual parts

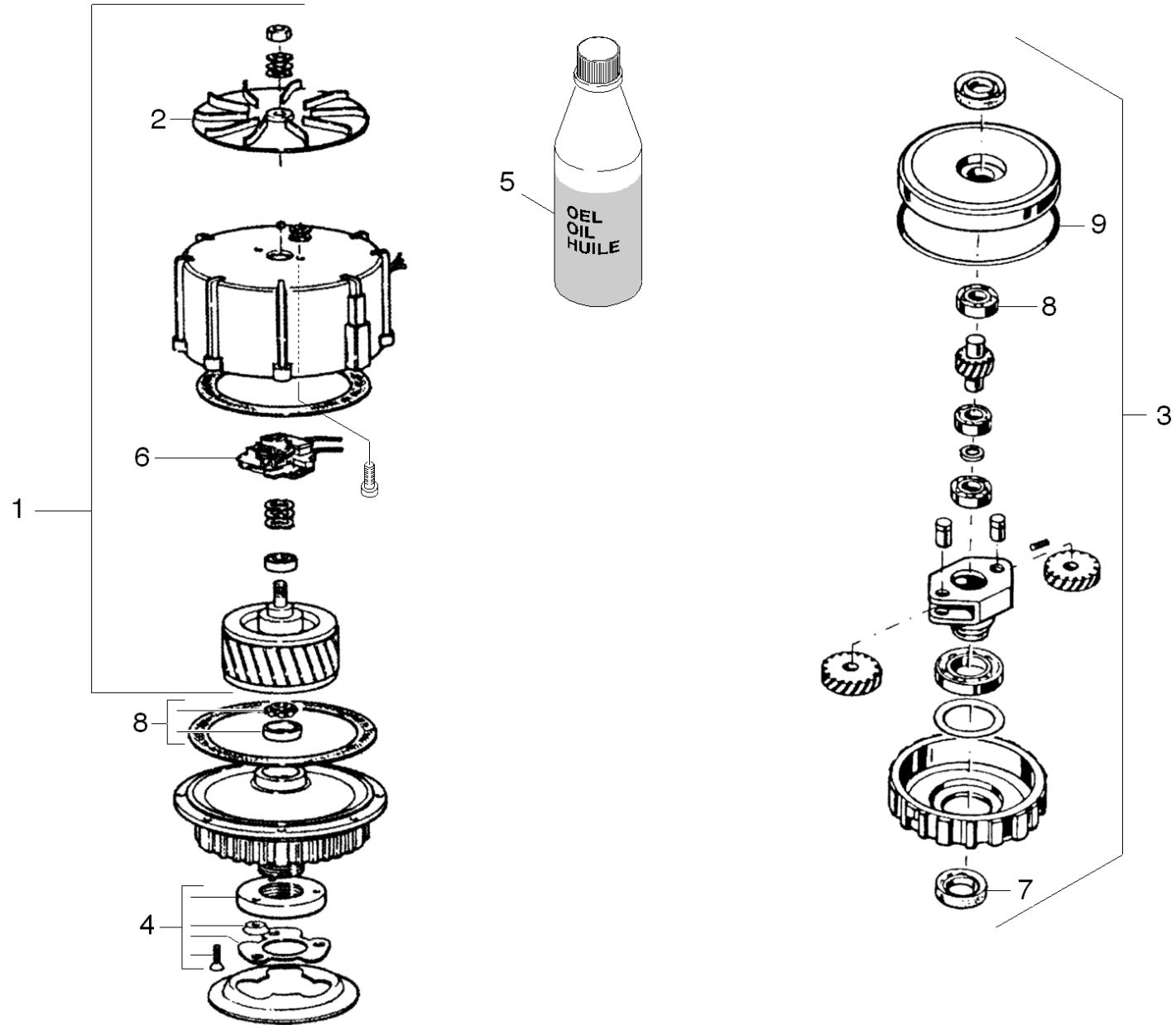
| POS | Article no. | Description                             | Quantity | Unit | Foot note text       |
|-----|-------------|---|----------|------|----------------------|
| 1   | 4.066-332.0 | Motor housing complete                  | 1.000    | ST   |                      |
| 2   | 6.661-259.0 | Capacitor start-up 430-516µF            | 1.000    | ST   |                      |
|     |             | <b>Item text1:</b> //1.291-203.0        |          |      |                      |
| 2   | 6.661-245.0 | Capacitor start-up                      | 1.000    | ST   |                      |
|     |             | <b>Item text1:</b> //1.291-202.0        |          |      |                      |
| 2   | 6.661-243.0 | Capacitor start-up                      | 1.000    | ST   |                      |
|     |             | <b>Item text1:</b> //1.291-204/ -207.0  |          |      |                      |
| 3   | 6.661-258.0 | Capacitor work BDS 43/150 220V/60Hz     | 1.000    | ST   |                      |
|     |             | <b>Item text1:</b> //1.291-207.0        |          |      |                      |
| 3   | 6.661-260.0 | Capacitor work 60µF                     | 1.000    | ST   |                      |
|     |             | <b>Item text1:</b> //1.291-203.0        |          |      |                      |
| 3   | 6.661-246.0 | Capacitor work                          | 1.000    | ST   |                      |
|     |             | <b>Item text1:</b> //1.291-202.0        |          |      |                      |
| 3   | 6.661-244.0 | Capacitor work                          | 1.000    | ST   |                      |
|     |             | <b>Item text1:</b> //1.291-204.0        |          |      |                      |
| 4   | 6.435-706.0 | Wheel                                   | 1.000    | ST   |                      |
| 5   | 7.306-143.0 | Cylinder head screw M6x25 -A4-70 ISO 47 | 8.000    | ST   |                      |
| 6   | 6.368-379.0 | Ram protection                          | 1.000    | ST   |                      |
| 7   | 6.648-899.0 | Cable with plug                         | 1.000    | ST   |                      |
| 8   | 7.343-020.0 | Locking ring 12x1-Bronze DIN 471        | 2.000    | ST   | EDELSTAHLAUSFUEHRUNG |
| 9   | 6.661-273.0 | Socket                                  | 1.000    | ST   |                      |
| 10  | 6.050-002.0 | Base frame                              | 1.000    | ST   |                      |
| 11  | 5.069-045.0 | Covering cap bottom                     | 1.000    | ST   |                      |





## 12 Individual parts

| POS | Article no. | Description  | Quantity | Unit | Foot note text       |
|-----|-------------|--|----------|------|----------------------|
| 1   | 6.680-147.0 | Motor housing complete BDS 43/150 C                | 1.000    | ST   |                      |
| 2   | 6.661-259.0 | Capacitor start-up 430-516µF                       | 1.000    | ST   |                      |
|     |             | <b>Item text1:</b> //1.291-215.0                   |          |      |                      |
| 2   | 6.661-245.0 | Capacitor start-up                                 | 1.000    | ST   |                      |
|     |             | <b>Item text1:</b> //1.291-214.0                   |          |      |                      |
| 2   | 6.661-243.0 | Capacitor start-up                                 | 1.000    | ST   |                      |
|     |             | <b>Item text1:</b> //1.291-216.0 / -217.0 / -218.0 |          |      |                      |
| 3   | 6.661-258.0 | Capacitor work BDS 43/150 220V/60Hz                | 1.000    | ST   |                      |
|     |             | <b>Item text1:</b> //1.291-217.0 / -218.0          |          |      |                      |
| 3   | 6.661-260.0 | Capacitor work 60µF                                | 1.000    | ST   |                      |
|     |             | <b>Item text1:</b> //1.291-215.0                   |          |      |                      |
| 3   | 6.661-246.0 | Capacitor work                                     | 1.000    | ST   |                      |
|     |             | <b>Item text1:</b> //1.291-214.0                   |          |      |                      |
| 3   | 6.661-244.0 | Capacitor work                                     | 1.000    | ST   |                      |
|     |             | <b>Item text1:</b> //1.291-216.0                   |          |      |                      |
| 4   | 6.680-140.0 | Wheel complete                                     | 2.000    | ST   |                      |
| 5   | 7.306-143.0 | Cylinder head screw M6x25 -A4-70 ISO 47            | 8.000    | ST   |                      |
| 6   | 6.368-379.0 | Ram protection                                     | 1.000    | ST   |                      |
| 7   | 6.648-899.0 | Cable with plug                                    | 1.000    | ST   |                      |
| 8   | 7.343-020.0 | Locking ring 12x1-Bronze DIN 471                   | 2.000    | ST   | EDELSTAHLAUSFUEHRUNG |
| 9   | 6.661-273.0 | Socket   | 1.000    | ST   |                      |
| 10  | 6.680-146.0 | Base frame grey BDS 43/150 C                       | 1.000    | ST   |                      |
| 11  | 5.069-332.0 | Covering cap                                       | 1.000    | ST   |                      |



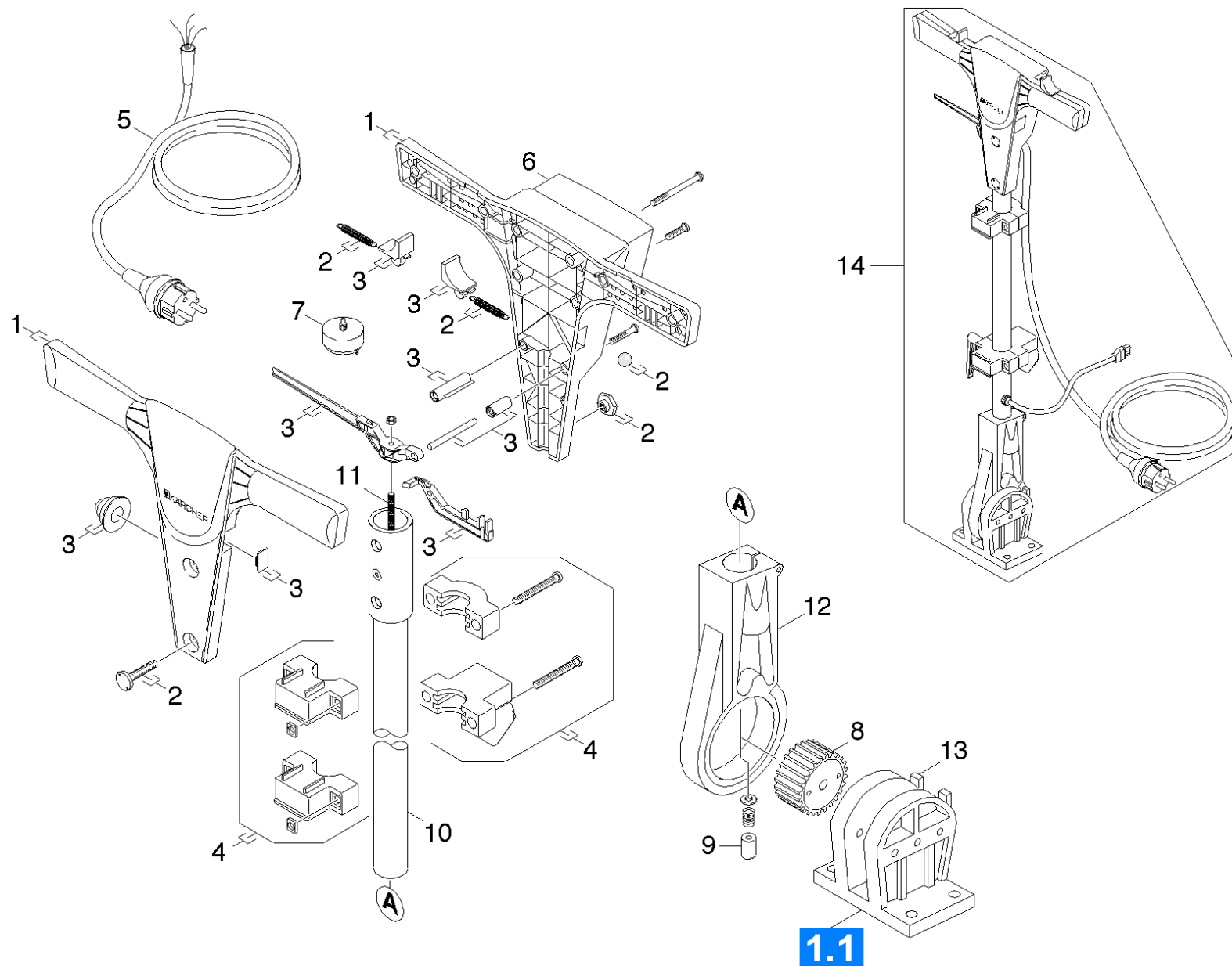
## 13 Transmission

| POS | Article no. | Description   | Quantity | Unit |
|-----|-------------|---|----------|------|
| 1   | 6.612-883.0 | Motor complete 120V / 60Hz (BDS43/150)                      | 1.000    | ST   |
|     |             | <b>Item text1:</b> //1.291-203.0 / -215.0                   |          |      |
| 1   | 6.612-769.0 | Motor   | 1.000    | ST   |
|     |             | <b>Item text1:</b> //1.291-204.0 / -216.0                   |          |      |
| 1   | 6.612-882.0 | Motor complete 220V/ 60Hz (BDS43/150)                       | 1.000    | ST   |
|     |             | <b>Item text1:</b> //1.291-207.0 / -218.0                   |          |      |
| 1   | 6.612-770.0 | Motor   | 1.000    | ST   |
|     |             | <b>Item text1:</b> //1.291-202.0 / -214.0                   |          |      |
| 2   | 6.612-772.0 | Blower wheel  | 1.000    | ST   |
| 3   | 6.454-190.0 | Gear for motor 120V u.220V/ 60Hz                            | 1.000    | ST   |
|     |             | <b>Item text1:</b> //1.291-203.0 / -207.0 / -215.0 / -218.0 |          |      |
| 3   | 6.454-169.0 | Gear  | 1.000    | ST   |
|     |             | <b>Item text1:</b> //1.291-204.0 / -216.0                   |          |      |
| 3   | 6.454-168.0 | Gear  | 1.000    | ST   |
|     |             | <b>Item text1:</b> //1.291-202.0 / -214.0                   |          |      |
| 4   | 6.906-637.0 | Retainer disk   | 1.000    | ST   |
| 5   | 6.288-016.0 | Gear oil 1L   | 1.000    | ST   |
| 6   | 6.491-809.0 | Centrifugal force switch stator rotor                       | 1.000    | ST   |
| 7   | 6.367-103.0 | Rotary shaft seal 55x70x10 Viton                            | 1.000    | ST   |
| 8   | 6.401-403.0 | Ball bearing NSK E20 410                                    | 2.000    | ST   |
| 9   | 6.761-330.0 | O-Ring seal 181x2   | 1.000    | ST   |

## 20 Shearing shackle

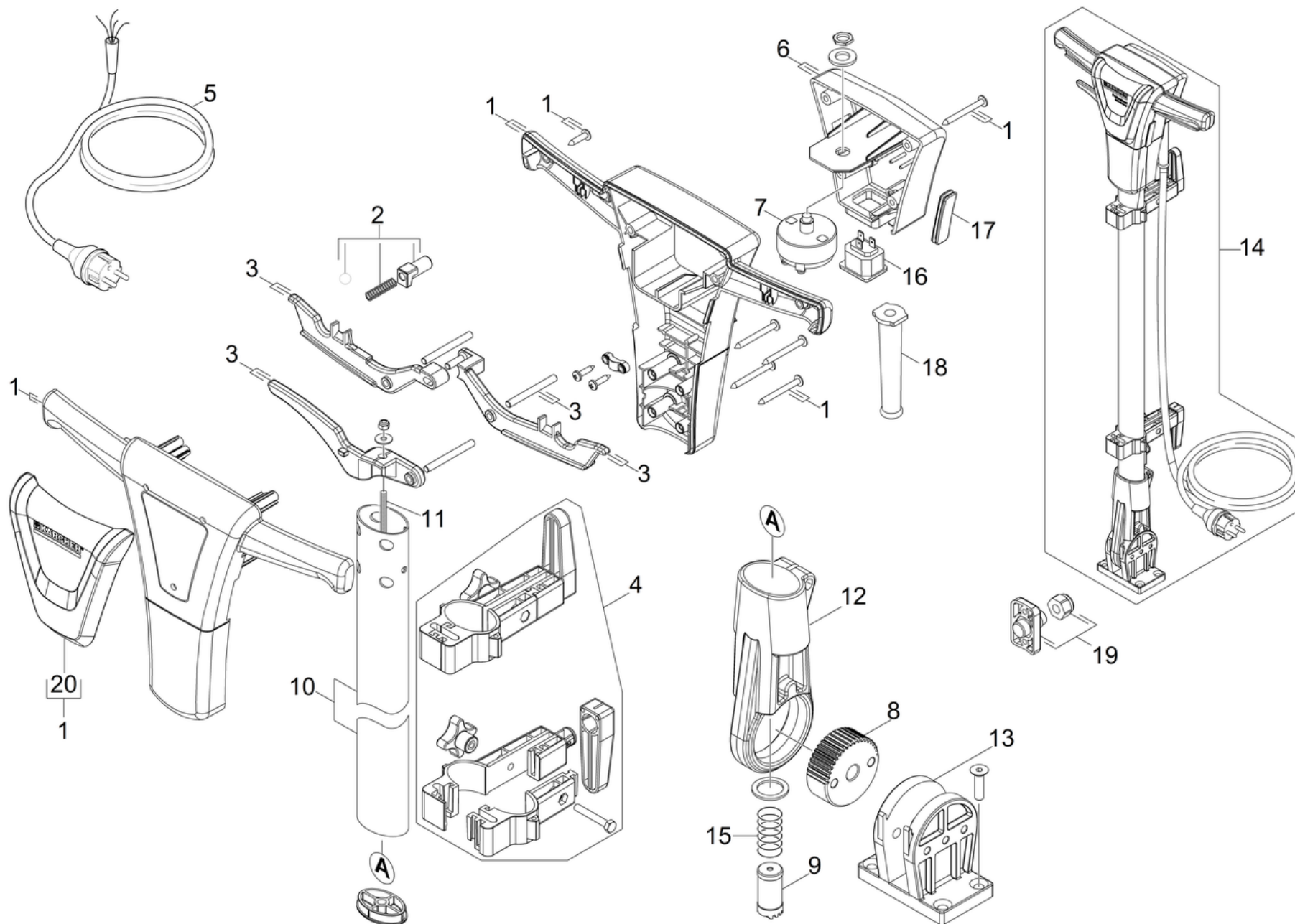
---

| <b>POS</b> | <b>Description</b> | <b>Quantity</b> | <b>Unit</b> | <b>Foot note text</b> |
|------------|--------------------|-----------------|-------------|-----------------------|
| 21         | Shearing shackle   | 1.000           | ST          | VERSION 1             |
| 22         | Shearing shackle   | 1.000           | ST          | VERSION 2             |



## 21 Shearing shackle

| POS | Article no.                               | Description                                | Quantity | Unit |
|-----|---|--|----------|------|
| 1   | 4.481-211.0                               | Covering cap handhold complete             | 1.000    | ST   |
| 2   | 6.394-440.0                               | Small type parts handhold                  | 1.000    | ST   |
| 3   | 6.394-441.0                               | Lever set handhold                         | 1.000    | ST   |
| 4   | 6.601-482.0                               | Holder tank                                | 1.000    | ST   |
| 5   | 6.649-243.0                               | Cable main stream plug MX                  | 1.000    | ST   |
|     | <b>Item text1:</b> //1.291-203.0          |  |          |      |
| 5   | 6.648-900.0                               | Cable main stream 15m                      | 1.000    | ST   |
|     | <b>Item text1:</b> //1.291-202.0 / -204.0 |  |          |      |
| 5   | 6.649-191.0                               | Cable main stream plug UK                  | 1.000    | ST   |
|     | <b>Item text1:</b> //1.291-207.0          |  |          |      |
| 6   | 6.635-468.0                               | Housing switch BDS 43/150,410C             | 1.000    | ST   |
| 7   | 6.635-465.0                               | Switch on/off                              | 1.000    | ST   |
| 8   | 6.661-270.0                               | Gear wheel                                 | 1.000    | ST   |
| 9   | 6.661-271.0                               | Slide of a press                           | 1.000    | ST   |
| 10  | 6.435-764.0                               | Shearing shackle BDS 43/ 150/410           | 1.000    | ST   |
| 11  | 6.906-962.0                               | Tie rod L 865                              | 1.000    | ST   |
| 12  | 6.661-285.0                               | Housing shearing shackle                   | 1.000    | ST   |
| 13  | 6.373-875.0                               | Angle for joint                            | 1.000    | ST   |
| 14  | 6.435-788.0                               | Shearing shackle complete BDS 43/150 C     | 1.000    | ST   |
|     | <b>Item text1:</b> /1.291-207.0           |  |          |      |
| 14  | 6.435-787.0                               | Shearing shackle complete BDS 43/410 C     | 1.000    | ST   |
|     | <b>Item text1:</b> /1.291-204.0           |  |          |      |
| 14  | 6.435-786.0                               | Shearing shackle complete BDS 43/150 C MEX | 1.000    | ST   |
|     | <b>Item text1:</b> /1.291-203.0           |  |          |      |
| 14  | 6.435-785.0                               | Shearing shackle complete BDS 43/150 C     | 1.000    | ST   |
|     | <b>Item text1:</b> /1.291-202.0           |  |          |      |



## 22 Shearing shackle

| POS | Article no.                    | Description                                      | Quantity | Unit |
|-----|--------------------------------|--|----------|------|
| 1   | 6.680-137.0                    | Hand grip complete                               | 1.000    | ST   |
| 2   | 6.680-138.0                    | Small type parts handhold                        | 1.000    | ST   |
| 3   | 6.680-141.0                    | Lever set handhold                               | 1.000    | ST   |
| 4   | 6.680-143.0                    | Holder tank complete                             | 1.000    | ST   |
| 5   | 6.680-139.0                    | Cable main stream complete MEX                   | 1.000    | ST   |
|     | <b>Item text1:</b> 1.291-215.0 |  |          |      |
| 5   | 6.680-144.0                    | Cable main stream complete BDP 43/410 C+ Duo     | 1.000    | ST   |
|     | <b>Item text1:</b> 1.291-216.0 |  |          |      |
| 5   | 6.680-135.0                    | Cable main stream complete BDS 43/150 C EU       | 1.000    | ST   |
|     | <b>Item text1:</b> 1.291-214.0 |  |          |      |
| 5   | 6.649-136.0                    | Cable with plug                                  | 1.000    | ST   |
|     | <b>Item text1:</b> 1.291-218.0 |  |          |      |
| 6   | 6.680-134.0                    | Switch housing complete                          | 1.000    | ST   |
| 7   | 6.635-465.0                    | Switch on/off                                    | 1.000    | ST   |
| 8   | 6.661-270.0                    | Gear wheel                                       | 1.000    | ST   |
| 9   | 6.661-271.0                    | Slide of a press                                 | 1.000    | ST   |
| 10  | 6.680-131.0                    | Handle pipe black                                | 1.000    | ST   |
| 11  | 6.680-130.0                    | Tie rod L. 860 M5                                | 1.000    | ST   |
| 12  | 6.680-127.0                    | Housing shearing shackle only for replacement    | 1.000    | ST   |
| 13  | 6.373-875.0                    | Angle for joint                                  | 1.000    | ST   |
| 14  | 6.680-132.0                    | Shearing shackle complete BDP 43/410 C           | 1.000    | ST   |
|     | <b>Item text1:</b> 1.291-216.0 |  |          |      |
| 14  | 6.680-133.0                    | Shearing shackle complete BDS 43/150 C 220V/60Hz | 1.000    | ST   |
|     | <b>Item text1:</b> 1.291-218.0 |  |          |      |
| 14  | 6.680-129.0                    | Shearing shackle complete BDS 43/150 C MEX       | 1.000    | ST   |
|     | <b>Item text1:</b> 1.291-215.0 |  |          |      |
| 14  | 6.680-128.0                    | Shearing shackle complete BDS 43/150 C           | 1.000    | ST   |
|     | <b>Item text1:</b> 1.291-214.0 |  |          |      |
| 15  | 6.680-106.0                    | Spring   | 1.000    | ST   |
| 16  | 6.680-180.0                    | Plug socket                                      | 1.000    | ST   |
| 17  | 6.680-171.0                    | Covering cap                                     | 1.000    | ST   |
| 18  | 6.680-119.0                    | Bend protection                                  | 1.000    | ST   |
| 19  | 6.680-168.0                    | Cable gland                                      | 1.000    | ST   |



## 22 Shearing shackle

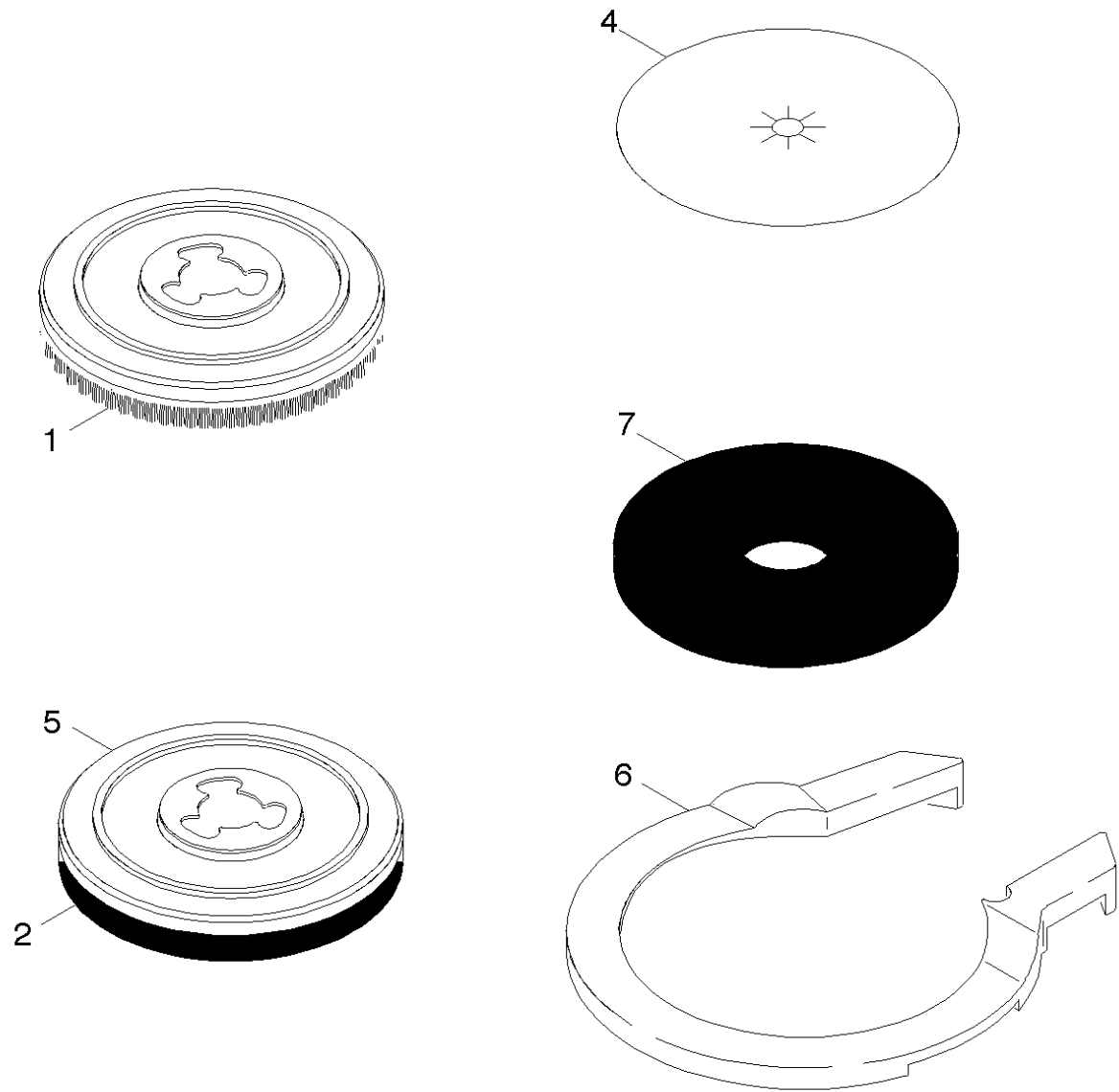
---

| <b>POS</b> | <b>Article no.</b> | <b>Description</b>        | <b>Quantity</b> | <b>Unit</b> |
|------------|--------------------|---------------------------|-----------------|-------------|
| 20         | 5.034-030.0        | Screen handhold neutrally | 1.000           | ST          |

## 30 Accessories

---

| <b>POS</b> | <b>Description</b> | <b>Quantity</b> | <b>Unit</b> |
|------------|--------------------|-----------------|-------------|
| 31         | Pads               | 1.000           | ST          |
| 32         | Tank               | 1.000           | ST          |
| 33         | Suction mechanism  | 1.000           | ST          |

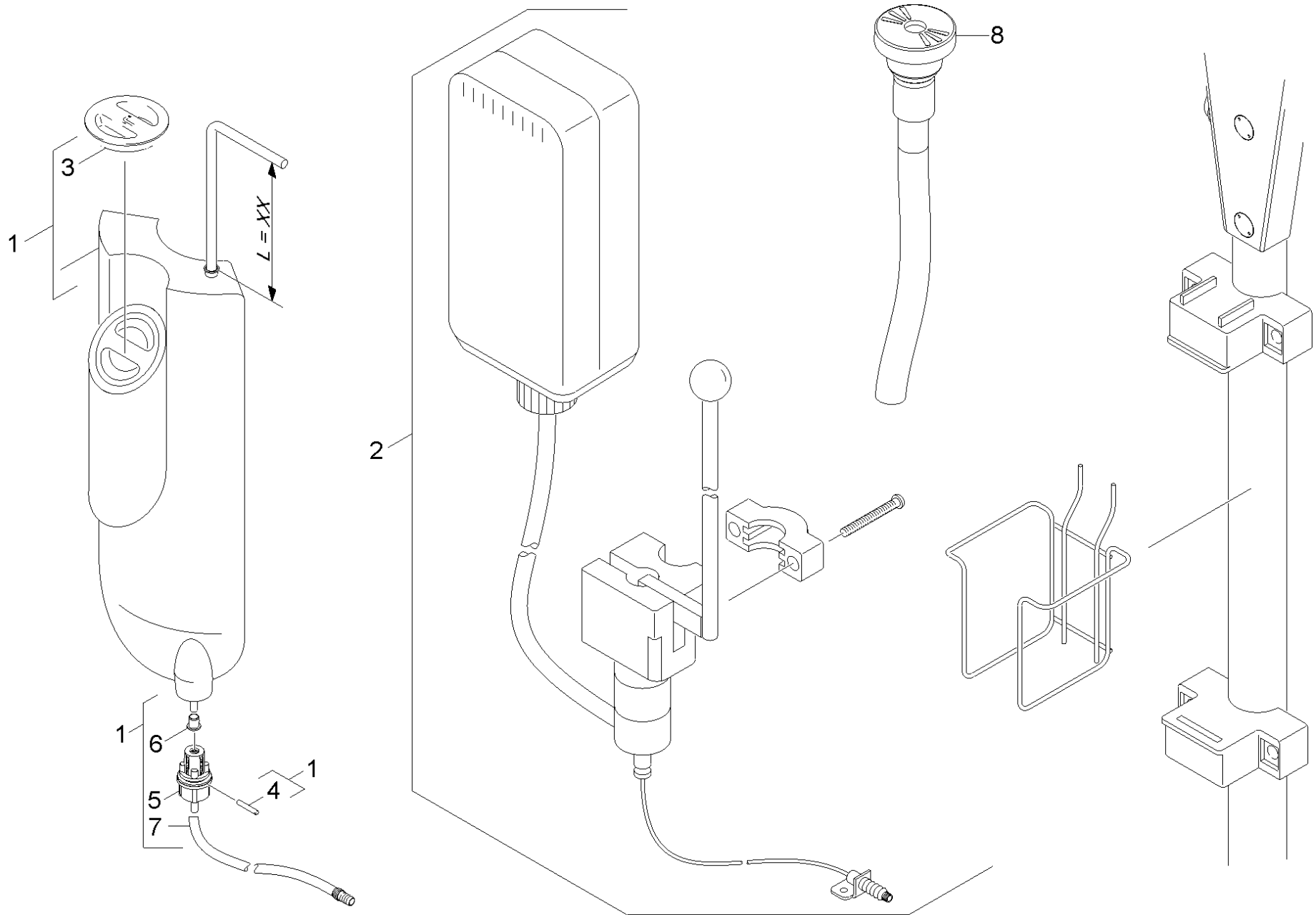


## 31 Pads

| POS | Article no.   | Description                            | Quantity | Unit | Foot note text |
|-----|---|--|----------|------|----------------|
| 1   | 6.369-895.0   | Scrubbing brush red (old colour white) | 1.000    | ST   |                |
|     | <b>Item text1:</b> 1.291-202.0 / -214.0 / -215.0 / -218.0 |  |          |      |                |
| 1   | 6.369-897.0   | Polishing brush                        | 1.000    | ST   |                |
|     | <b>Item text1:</b> 1.291-204.0 / -216.0                   |  |          |      |                |
| 1   | 6.369-898.0   | Brush black (old colour grey)          | 1.000    | ST   |                |
|     | <b>Item text1:</b> 1.291-202.0 / -214.0 / -215.0 / -218.0 |  |          |      |                |
| 1   | 6.369-896.0   | Brush Shampoo BDS 43/150/DUO C         | 1.000    | ST   |                |
|     | <b>Item text1:</b> 1.291-202.0 / -214.0 / -215.0 / -218.0 |  |          |      |                |
| 2   | 6.370-138.0   | Polishing pad beige                    | 1.000    | ZSA  |                |
|     | <b>Item text1:</b> 1.291-204.0 / -216.0                   |  |          |      |                |
| 2   | 6.371-257.0   | Diamond pad yellow set 5x Ø432         | 1.000    | ST   |                |
|     | <b>Item text1:</b> 1.291-202.0 / -214.0 / -215.0 / -218.0 |  |          |      |                |
| 2   | 6.369-473.0   | Pad black                              | 1.000    | ZSA  |                |
|     | <b>Item text1:</b> 1.291-202.0 / -214.0 / -215.0 / -218.0 |  |          |      |                |
| 2   | 6.905-526.0   | Pad micro-fibre                        | 1.000    | ZSA  |                |
|     | <b>Item text1:</b> 1.291-202.0 / -214.0 / -215.0          |  |          |      |                |
| 2   | 6.369-472.0   | Pad green                              | 1.000    | ZSA  |                |
|     | <b>Item text1:</b> 1.291-202.0 / -214.0 / -215.0 / -218.0 |  |          |      |                |
| 2   | 6.369-469.0   | Polishing pad white                    | 1.000    | ZSA  |                |
|     | <b>Item text1:</b> 1.291-204.0 / -216.0                   |  |          |      |                |
| 2   | 6.369-470.0   | Pad red                                | 1.000    | ZSA  |                |
| 2   | 6.369-471.0   | Pad blue                               | 1.000    | ZSA  |                |
|     | <b>Item text1:</b> 1.291-202.0 / -214.0 / -215.0 / -218.0 |  |          |      |                |
| 4   | 6.990-009.0   | Grinding wheel                         | 1.000    | ZSA  |                |
|     | <b>Item text1:</b> 1.291-202.0 / -214.0 / -215.0          |  |          |      |                |
| 4   | 6.990-007.0   | Grinding wheel                         | 1.000    | ZSA  |                |
|     | <b>Item text1:</b> 1.291-202.0 / -214.0 / -215.0          |  |          |      |                |
| 4   | 6.990-008.0   | Grinding wheel                         | 1.000    | ZSA  |                |
|     | <b>Item text1:</b> 1.291-202.0 / -214.0 / -215.0          |  |          |      |                |
| 5   | 6.369-934.0   | Grinding disk screed BDS 43/150 C      | 1.000    | ST   |                |
|     | <b>Item text1:</b> 1.291-202.0 / -214.0 / -215.0          |  |          |      |                |
| 5   | 6.369-902.0   | Disk grinding                          | 1.000    | ST   |                |
|     | <b>Item text1:</b> 1.291-202.0 / -214.0 / -215.0          |  |          |      |                |

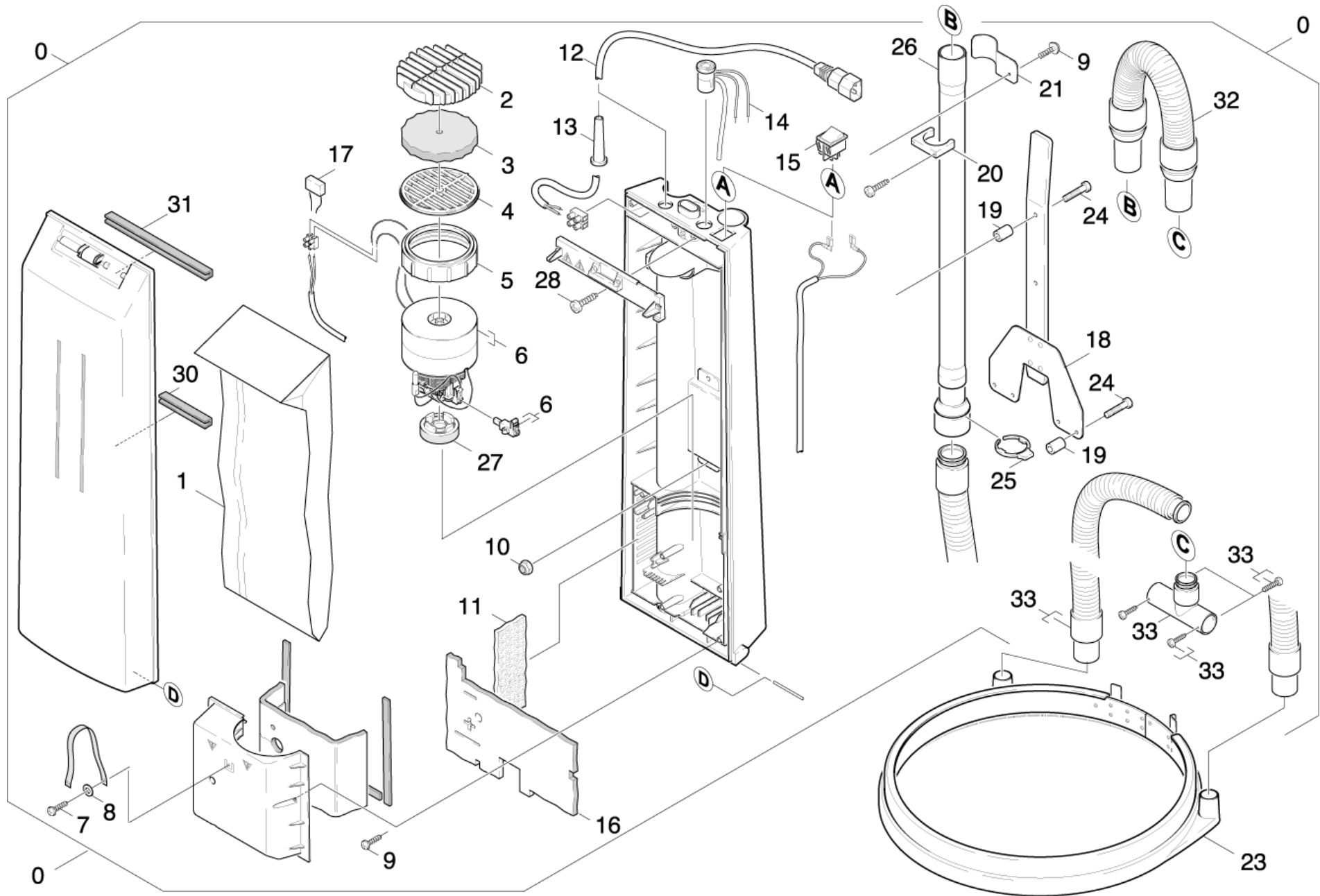
## 31 Pads

| POS | Article no.   | Description                    | Quantity | Unit | Foot note text |
|-----|---|--------------------------------|----------|------|----------------|
| 5   | 6.369-899.0   | Disk LOW SPEED 420             | 1.000    | ST   |                |
|     | <b>Item text1:</b> 1.291-202.0 / -214.0 / -215.0 / -218.0 |                                |          |      |                |
| 5   | 6.369-900.0   | Disk HIGH SPEED                | 1.000    | ST   |                |
|     | <b>Item text1:</b> 1.291-204.0 / -216.0                   |                                |          |      |                |
| 5   | 6.369-901.0   | Disk DUO SPEED                 | 1.000    | ST   |                |
| 6   | 6.369-910.0   | Additional weight 10KG         | 1.000    | ST   |                |
| 7   | 6.371-257.0   | Diamond pad yellow set 5x Ø432 | 1.000    | ST   | GELB           |
|     | <b>Item text1:</b> 1.291-202.0 / -203.0 / -207.0          |                                |          |      |                |
| 7   | 6.371-256.0   | Diamond pad white set 5x Ø432  | 1.000    | ST   | WEISS          |
|     | <b>Item text1:</b> 1.291-202.0 / -203.0 / -207.0          |                                |          |      |                |
| 7   | 6.371-238.0   | Diamond pad green set 5x Ø432  | 1.000    | ST   | GRUEN          |
|     | <b>Item text1:</b> 1.291-202.0 / -203.0 / -207.0 / -214.0 |                                |          |      |                |
|     | <b>Item text2:</b> / -215.0 / -218.0                      |                                |          |      |                |



## 32 Tank

| POS | Article no.                                  | Description                         | Quantity | Unit | Remark    | Foot note text |
|-----|--|-------------------------------------|----------|------|-----------|----------------|
| 1   | 4.071-150.0                                  | Fresh water tank complete BDS 33/43 | 1.000    | ST   | L = 167mm | VERSION 1      |
|     | <b>Item text1:</b> //1.291-202/ -203/ -207.0 |                                     |          |      |           |                |
| 1   | 4.071-201.0                                  | Fresh water tank complete BDS 33/43 | 1.000    | ST   | L = 206mm | VERSION 2      |
| 2   | 6.394-447.0                                  | Atomizer complete                   | 1.000    | ST   |           |                |
|     | <b>Item text1:</b> 1.291-202.0 / -204.0      |                                     |          |      |           |                |
| 3   | 5.063-650.0                                  | Cover                               | 1.000    | ST   |           |                |
| 4   | 7.314-033.0                                  | Spring pin 3,0x24-A ISO 8752        | 1.000    | ST   |           |                |
| 5   | 6.413-365.0                                  | Valve complete                      | 1.000    | ST   |           |                |
| 6   | 5.032-669.0                                  | Cap                                 | 1.000    | ST   |           |                |
| 7   | 6.391-760.0                                  | Hose with rubber bushing            | 1.000    | ST   |           |                |
| 8   | 6.680-124.0                                  | Hose fresh water complete           | 1.000    | ST   |           |                |





### 33 Suction mechanism

| POS | Article no. | Description                    | Quantity | Unit |
|-----|-------------|--------------------------------|----------|------|
| 0   | 6.812-035.0 | Suction unit                   | 1.000    | ST   |
| 1   | 6.904-253.0 | Filter bag                     | 1.000    | ZSA  |
| 2   | 6.957-351.0 | Grate                          | 1.000    | ST   |
| 3   | 6.957-352.0 | Filter                         | 1.000    | ST   |
| 4   | 6.957-353.0 | Grate                          | 1.000    | ST   |
| 6   | 6.957-355.0 | Vacuum motor                   | 1.000    | ST   |
| 7   | 6.957-385.0 | Screw 3X8 VERZ                 | 1.000    | ST   |
| 8   | 7.312-011.0 | Washer 3-200HV-A2E ISO 7092    | 1.000    | ST   |
| 9   | 7.303-129.0 | Screw 4x16 -10.9-R2R (K-In6Rd) | 1.000    | ST   |
| 10  | 7.311-029.0 | Hexagon nut M 5-A4-70 ISO 7042 | 1.000    | ST   |
| 11  | 6.957-356.0 | Filter                         | 1.000    | ST   |
| 12  | 6.957-345.0 | Cable with plug                | 1.000    | ST   |
| 13  | 6.957-344.0 | Bend protection                | 1.000    | ST   |
| 14  | 6.957-346.0 | Control lamp                   | 1.000    | ST   |
| 15  | 6.957-347.0 | Switch                         | 1.000    | ST   |
| 16  | 6.957-358.0 | Insulating mat                 | 1.000    | ST   |
| 17  | 6.957-363.0 | Anti-interference filter       | 1.000    | ST   |
| 18  | 6.957-373.0 | Retaining bracket              | 1.000    | ST   |
| 19  | 6.957-371.0 | Sleeve                         | 2.000    | ST   |
| 20  | 6.957-370.0 | Holder                         | 1.000    | ST   |
| 23  | 6.812-051.0 | Exhauster ring                 | 1.000    | ST   |
| 24  | 7.306-184.0 | Screw M5x30 -A2-70 (In6Rd)     | 1.000    | ST   |
| 25  | 6.957-372.0 | Clip                           | 1.000    | ST   |
| 26  | 6.957-369.0 | Tube                           | 1.000    | ST   |
| 27  | 6.957-364.0 | Bracket motor bottom           | 1.000    | ST   |
| 28  | 6.957-387.0 | Screw 3,5X16                   | 4.000    | ST   |
| 30  | 6.957-386.0 | Seal                           | 1.000    | ST   |
| 32  | 6.957-392.0 | Hose                           | 1.000    | ST   |
| 33  | 6.957-365.0 | Suction hose                   | 1.000    | ST   |