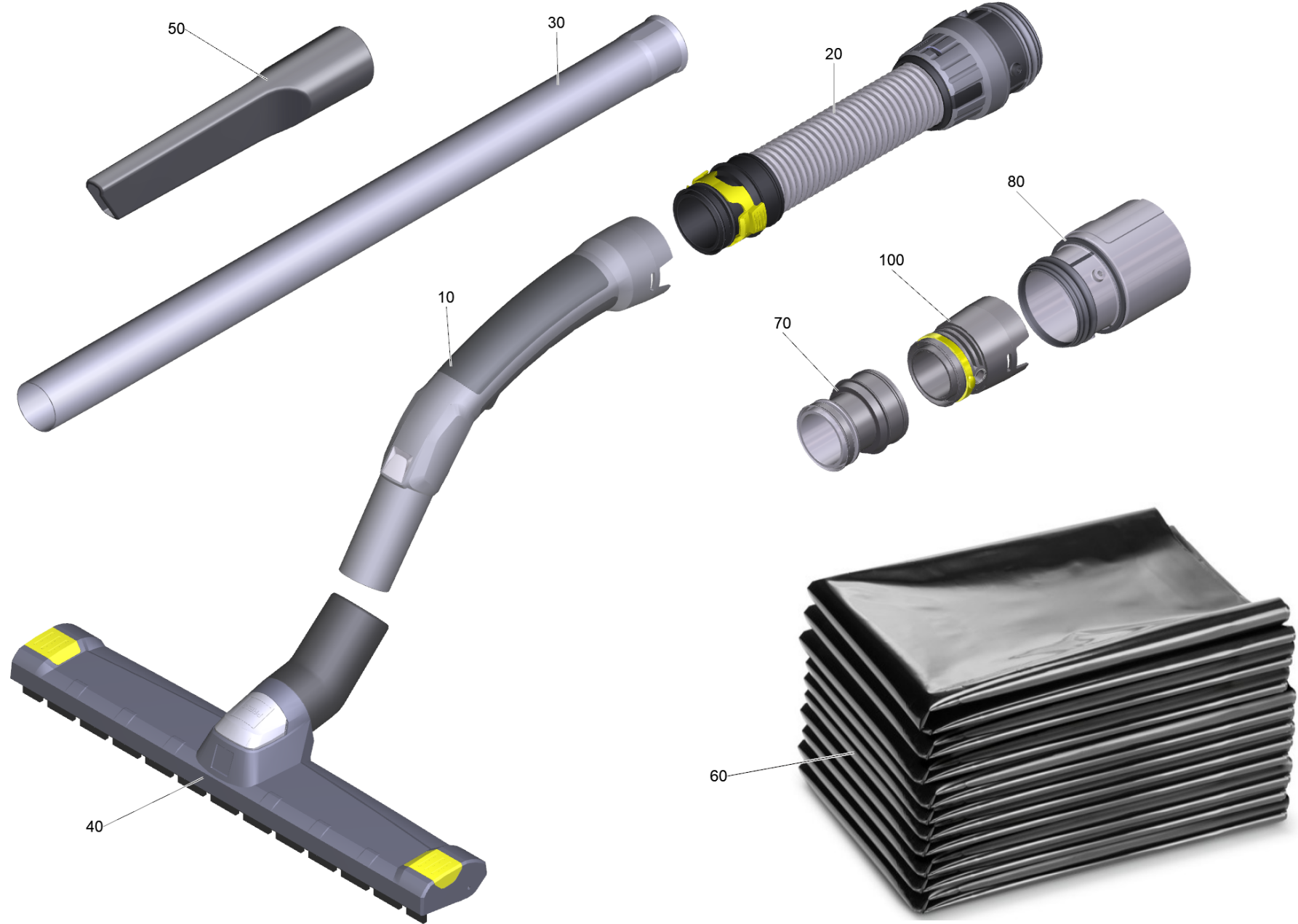


## 7 Accessories

Professional \ Vacuum cleaner \ Wet-/dry vacuum cleaner \ NT 30/1 Tact L \*EU \ Accessories

**KÄRCHER**



## 7 Accessories

Professional \ Vacuum cleaner \ Wet-/dry vacuum cleaner \ NT 30/1 Tact L \*EU \ Accessories

**KÄRCHER**

POS	Article no.	Description	Quantity	Unit
10	2.889-168.0	Elbow packaged electrically NW35 2K	1.000	ST
20	2.889-136.0	Hose electrically conducting packaged NW	1.000	ST
30	2.889-192.0	Set suction tube stainless steel NW35 55	1.000	ST
40	2.889-152.0	Floor tool packaged NW35 360mm	1.000	ST
50	2.889-159.0	Crevice nozzle wet and dry packaged NW35	1.000	ST
60	2.889-158.0	Disposal bag 10-parts PE	1.000	ST
70	5.406-006.0	Threaded ring electrically conducting NW	1.000	ST
70	5.406-005.0	Threaded ring electrically conducting NW	1.000	ST
80	5.031-436.0	Adapter old electrically conducting	1.000	ST
100	2.889-312.0	Adapter old packaged NW35	1.000	ST