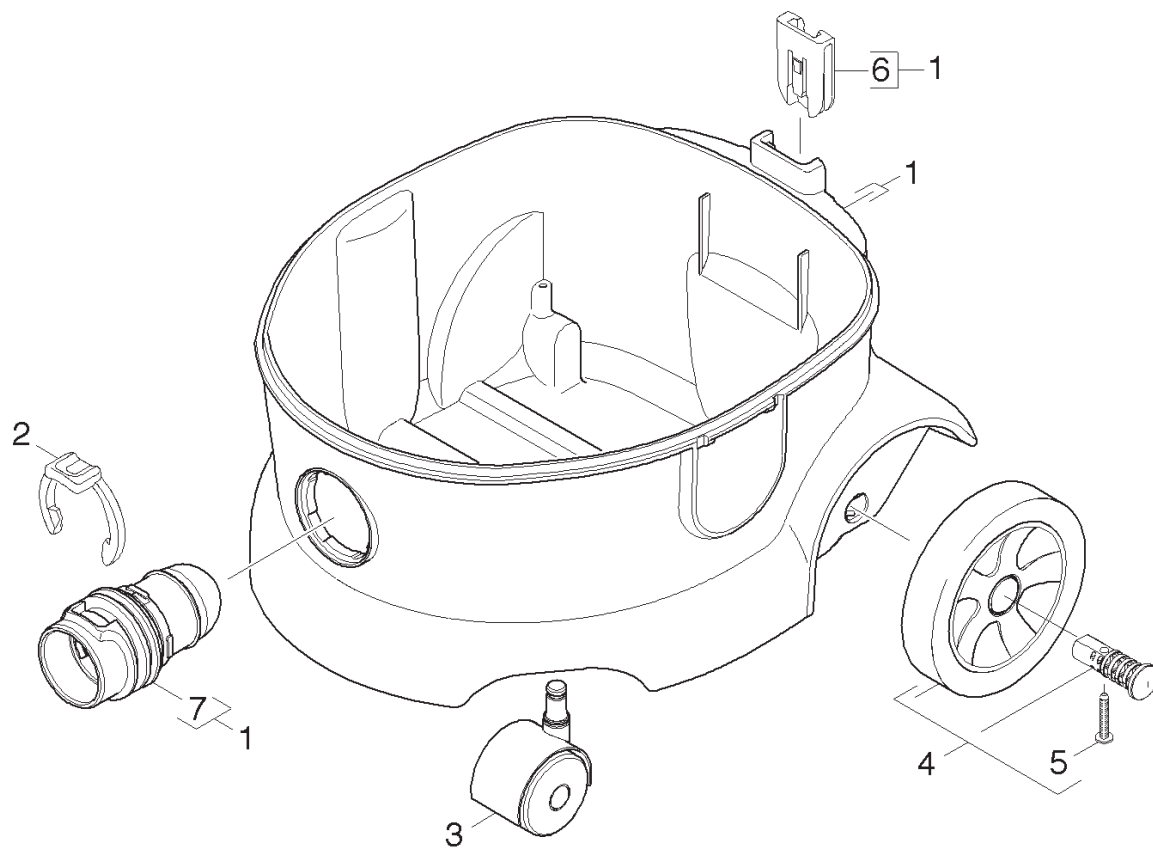


30 Tank

Overview technical documents/Professional/Vacuum cleaner/Dry vacuum cleaner/T 12/1 (1.355-134.0)/Spare parts list T 12/1 *EU/30 Tank



30 Tank

Overview technical documents/Professional/Vacuum cleaner/Dry vacuum cleaner/T 12/1 (1.355-134.0)/Spare parts list T 12/1 *EU/30 Tank

Rez.daļas/nodil.pakļ.daļas	Poz.	Materiāla Nr.	Nosaukums	Daudzums	Pārdoš. vienība
	1	4.070-836.0	Tank complete	1.000	ST
X	2	5.343-022.0	Bloķētājgredzens	1.000	ST
	3	6.435-707.0	Castor	2.000	ST
	4	4.515-324.0	Wheel complete	1.000	ST
X-X	5	7.303-086.0	Skrūve 5x30 -10.9-R2R (K-In6Rd)	2.000	ST
	6	5.032-668.0	Moulded part	1.000	ST
X	7	5.032-567.0	suction connection	1.000	ST