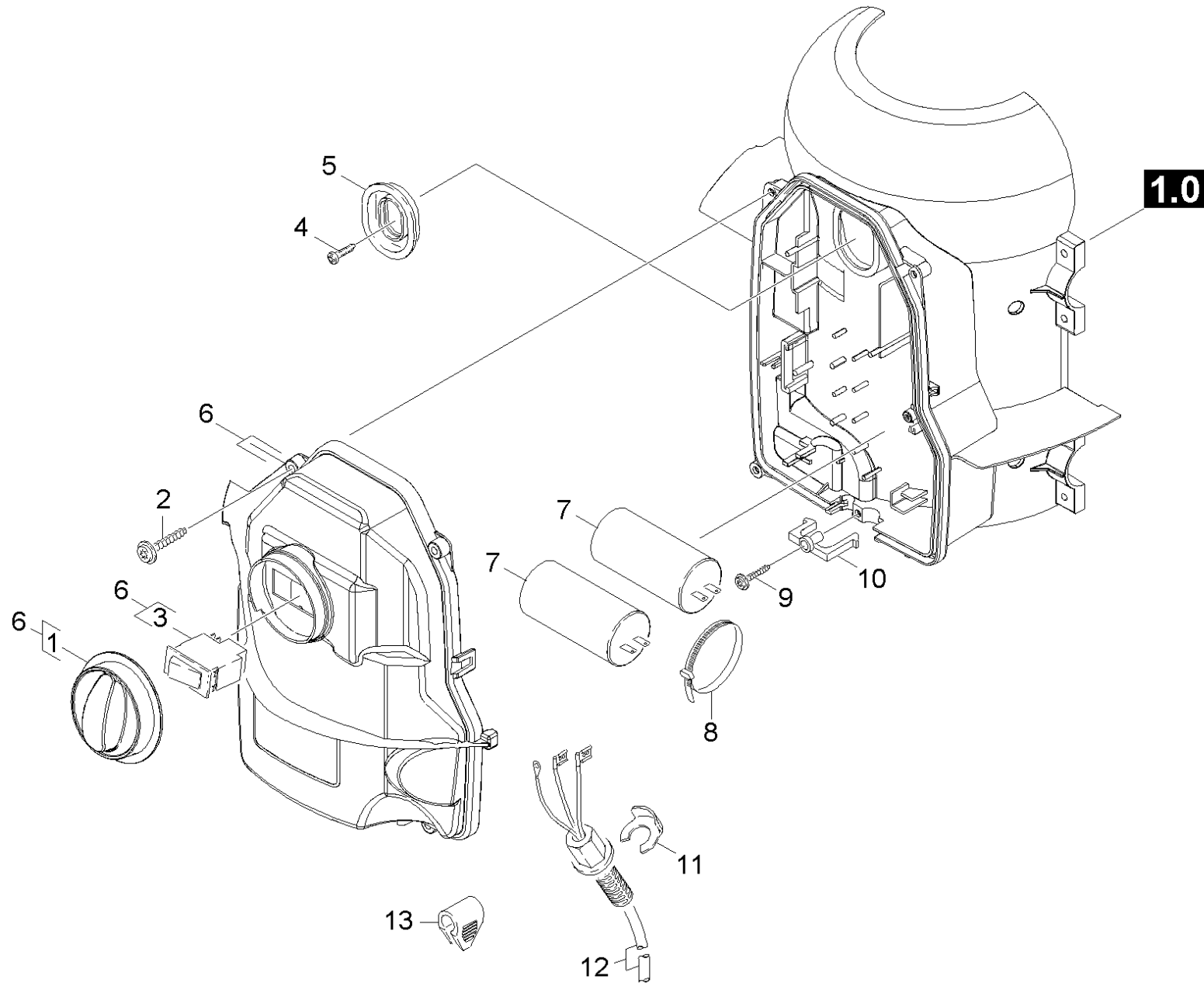


50 Electric box

Professional \ High pressure cleaner cold water \ Electric motor \ HD 6/16-4M Classic *EU \ Spare parts list HD 6/16 \ Electric box



50 Electric box

Professional \ High pressure cleaner cold water \ Electric motor \ HD 6/16-4M Classic *EU \ Spare parts list HD 6/16 \ Electric box

KÄRCHER

POS	Article no.	Description	Quantity	Unit
1	5.321-793.0	Handle switch ETA	1	PC
2	7.303-108.0	Screw 5x20 -10.9-R2R (In6Rd)	4	PC
3	6.631-811.0	Rocker switch 20A	1	PC
4	7.303-031.0	Screw M4x10 -St-P2R (In6Rd)	1	PC
5	5.365-181.0	Profile gasket	1	PC
6	4.744-210.0	Switch complete	1	PC
7	6.661-290.3	Capacitor 30mF	2	PC
8	6.647-081.0	Cable tape	1	PC
9	7.303-109.0	Screw 5x25 -10.9-R2R (In6Rd)	1	PC
10	5.263-051.0	Tensioning part	1	PC
11	6.343-186.0	Locking ring	1	PC
12	6.649-449.0	Cable with plug *EU	1	PC
13	6.647-681.0	Cable clip	1	PC