

Spare parts list

(5.974-056.0) Spare parts list B40W+R55+Autofill+Squee

DE HINWEISE

Weitere Sprachen:

Diese Ersatzteilliste ist in weiteren Sprachen erhältlich. Sie erhalten diese unter www.kaercher.com im Bereich Service.

Die Schreibweise der Teilenummer, z.B. 75456380, entspricht der Teilenummer 7.545-638.0.

Mengenangaben:

Die Mengenangaben in der Ersatzteilliste entsprechen den in der Baugruppe verbauten Stückzahlen der Bauteile.

Meterware:

Ersatzteile welche als Meterware geliefert werden sind auf Einbaulänge selbst zu kürzen. Die Stückzahlen sind als Mindestbestellmenge =1m angegeben und müssen je nach Bedarf auf weitere volle Meterzahlen erhöht werden.

Versionen/ Werknummern:

Sind Versionen oder Werknummern in der Ersatzteilliste angegeben, ist anhand dieser vor Bestellung zu prüfen, welches Bauteil für ihr Gerät verwendet werden muss.

Lackierte Teile:

Bei Bestellungen von lackierten Teilen welche in der Ersatzteilliste nicht in verschiedenen Farben ausgewiesen sind, ist zusätzlich die Farbnummer oder Farbe mit anzugeben.

Technische Änderungen:

Technische Änderungen sowie das Recht der ausschließlichen Auswertung unseres geistigen Eigentums behalten wir uns vor.

EN INSTRUCTIONS

Other languages:

This list of spare parts is also available in other languages. You can get this list from www.kaercher.com in the Service division.

The designation of the part number e.g. 75456380 is equal to 7.545-638.0.

Quantity details:

The quantity details in the spare parts list correspond to the number of pieces of the component installed in the assembly group.

Piece goods:

Spare parts that are sold as piece goods are to be cut to the desired length. The quantities have been indicated as minimum order quantity =1m and must be rounded off to the full meter figure depending on your requirements.

Version/ Plant numbers:

If version or plant numbers are mentioned in the spare parts list, then use the same to check before ordering which spare part needs to be used for your appliance.

Painted parts:

While ordering painted parts that are not mentioned in the spare parts list in their colour variations, please mention the colour number or the colour you require.

Technical changes:

We reserve the right to make technical changes as well as the right to exclusive use of our intellectual property.

FR REMARQUES

Autres langues:

Cette liste de pièces de rechange est disponible en autres langues. Cela est disponible sous www.kaercher.com dans le menu Service.

La désignation du numéro de pièce, par ex. 75456380, correspond au numéro de pièce 7.545-638.0.

Indications de quantité:

Les indications de quantité dans la liste de pièces de rechange correspondre aux nombres de pièces des composant utilisées dans la construction.

Matériel au mètre:

Les pièces de rechange qui sont livrées au mètre doivent être raccourcies à longueur souhaitée par l'acheteur même. Les nombres des pièces sont indiquées en quantité de commande minimale = 1m et doivent être augmentés selon le besoin à une chiffre de mètre complète.

Versions/ Numéros d'usine:

Lorsqu'il sont indiquées des versions ou des numéros d'usine dans la liste de pièces de rechange, vous devez vérifier que composant doit être utilisé pour votre appareil.

Pièces laquées:

Pour commander des pièces laquées, où les différentes couleurs ne sont pas indiquées dans la liste des pièces de rechange, vous devez indiquer en plus le numéro de la couleur ou seulement la couleur.

Modifications techniques:

Nous nous réservons la possibilité des modifications techniques ainsi le droit d'exploitation exclusive de notre propriété intellectuelle.

IT AVVERTENZE

Altre lingue:

Il presente elenco di parti di ricambio è disponibile sul nostro sito Web anche in altre lingue: sotto www.kaercher.com alla voce "Service".

L'indicazione del codice pezzo, ad es. 75456380, corrisponde al codice pezzo 7.545-638.0

Indicazioni di quantità:

Le indicazioni di quantità riportate dall'elenco "parti di ricambio" corrispondono al numero delle singole componenti contenute nella rispettiva unità.

Merce a metro:

Le parti di ricambio fornite come "merce a metro" devono venire in seguito accorciate alla lunghezza necessaria per il montaggio. La quantità unitaria è indicata come "quantità minima di ordinazione = 1m" e deve all'occorrenza venire moltiplicata per il numero intero di metri necessari.

Versioni / Numeri di fabbricazione:

Quando l'elenco "parti di ricambio" riporta diverse versioni o numeri di fabbricazione, confrontare la versione o il numero di fabbricazione del ricambio desiderato con quelle/i presenti nell'elenco e indicarla/o al momento dell'ordinazione.

Parti di ricambio verniciate:

Nel caso di ricambi verniciati, se l'elenco parti di ricambio non ne riporta espressamente i diversi colori, al momento dell'ordinazione è necessario indicare anche il colore o il numero del colore desiderato.

Modifiche tecniche:

Ci riserviamo il diritto di apportare modifiche tecniche così come il diritto di utilizzo esclusivo della nostra proprietà intellettuale.

ES INDICACIONES

Otros idiomas:

La lista de piezas de repuesto se puede adquirir en otros idiomas. La puede adquirir en www.kaercher.com en el área de servicios.

La notación de los números de las piezas, p.ej. 75456380 corresponde al número de pieza 7.545-638.0.

Cantidades:

Las indicaciones de cantidades de la lista de piezas de repuesto corresponden al número de piezas montadas en el componente.

Mercancía por metros:

Las piezas de repuesto que se suministran por metros se pueden cortar al largo deseado. La unidad mínima de pedido es de = 1 m y el número de metros completos se puede aumentar según necesidad.

Versiones/números de fábrica:

Si se indica la versión o número de fábrica en la lista de piezas de repuesto, se debe comprobar en ella la pieza a usar para su aparato antes de realizar el pedido.

Piezas lacadas:

Al realizar pedidos de piezas lacadas que no estén indicadas en los diferentes colores en la lista de piezas de repuesto, se debe indicar también la referencia del color o el color.

Modificaciones técnicas:

Reservados los derechos de realizar modificaciones técnicas y aprovechar nuestra propiedad intelectual.

PL WSKAZÓWKI

Pozostałe języki:

Ta lista części zamiennych jest dostępna w także w innych językach. Mogą ją Państwo pobrać ze strony www.kaercher.com w dziale Serwis.

Sposób zapisywania numeru części, np. 75456380, odpowiada numerowi części 7.545-638.0.

Dane ilości:

Dane ilości podane w liście części zamiennych odpowiadają liczbie sztuk podzespołów tworzących dany moduł.

Towar sprzedawany na metry:

Części zamienne dostarczane jako towar sprzedawany na metry po zamontowaniu należy samodzielnie skrócić do potrzebnej długości. Liczba sztuk podana jest jako minimalna ilość zamówienia =1m i w zależności od potrzeb zwiększa się ją o kolejne pełne metry.

Wersje/ Numer zakładu:

Jeżeli w liście części zamiennych podane są wersje lub numery zakładu, przed zamówieniem na ich podstawie należy sprawdzić, który podzespół stosuje się w Państwa urządzeniu.

Części lakierowane:

W przypadku zamówień części lakierowanych, które w liście części zamiennych nie podano w wielu kolorach, należy dodatkowo zaznaczyć nr koloru lub kolor.

Zmiany techniczne:

Zastrzegamy sobie prawo do zmian technicznych oraz wyłącznego wykorzystywania naszej własności intelektualnej.

RU УКАЗАНИЯ:

Другие языки:

Данный список запасных частей также доступен на других языках. Вы найдете его на сайте www.kaercher.com в разделе Service
Маркировка номера детали, например, 75456380, соответствует номеру детали 7.545-638.0.

Указание количества:

Количественные данные в списке запасных частей соответствуют числу компонентов, входящих в состав узлов.

Товар, продаваемый на метры:

Запасные части, продающиеся на метры, необходимо обрезать до нужной длины. Число изделий указано в виде минимального объема заказа = 1м и их количество можно округлить до требуемого по мере необходимости.

Варианты исполнения/заводские номера:

Если варианты исполнения или заводские номера указаны в списке запасных частей, то перед заказом необходимо проверить, какая деталь подходит для вашего устройства.

Лакированные детали:

При заказе лакированных деталей, варианты расцветки которых не указаны в списке запасных частей, необходимо дополнительно указать номер цвета или необходимый для вас цвет.

Технические изменения:

Мы оставляем за собой право на технические изменения, а также право на исключительное использование нашей интеллектуальной собственности.

Table of contents

Order instructions	2
410 Spare parts list B40W+R55+Autofill+Squee (5.974-056.0)	7
10 Basic machinery B40	10
10 Tank complete (4.035-335.0)	14
10 Tank replacement (4.035-429.0)	18
40 Ball valve complete replacement (4.035-426.0)	20
210 Drain hose with cover yellow (4.035-442.0)	22
210 Drain hose with cover oil resistant B40/ (4.035-501.0)	24
290 Screen filling system (4.035-370.0)	26
10 Screen filling system	27
50 Suspension brush-head complete	29
80 Covering cap rear complete	31
90 Suction bar lifting complete	34
100 Vacuum motor enclosure	36
900 Vacuum motor replacement (4.035-420.0)	37
20 Control panel complete BAT W	39
20 Covering cap control panel complete BAT	42
20 Tachograph complete	44
10 Tachograph set (4.035-002.0)	46
40 Electric equipment B40 W Bp Dose	48
9001 Battery charger replacement B40 (6.683-119.0)	50
70 Gear complete B 40	52
20 Wheel drive motor replacement (4.035-416.0)	54
20 Wheel drive motor replacement (4.035-511.0)	55
330 Cover complete (4.035-334.0)	56
10 Cover complete	57
331 Brush-head R 55 W (2.763-011.0)	59
10 Brush-head R55 W	60
10 Power brush counter rotation BR	61
8 Gear complete counter rotation (4.035-004.0)	64
62 Set plug complete rot, 75A , Q-6mm ² (6.646-034.0)	66
63 Set plug complete blau , 75A , Q-6mm ² (6.646-033.0)	68
20 Roll pad	70
3 Hub pad roll BR VS (5.120-313.0)	72
332 Auto-Fill-In (4.035-345.0)	74
10 Filling system	75
334 Suction bar v-shaped 900mm (4.777-079.0)	77
10 Suction bar v-shaped 900 mm	78

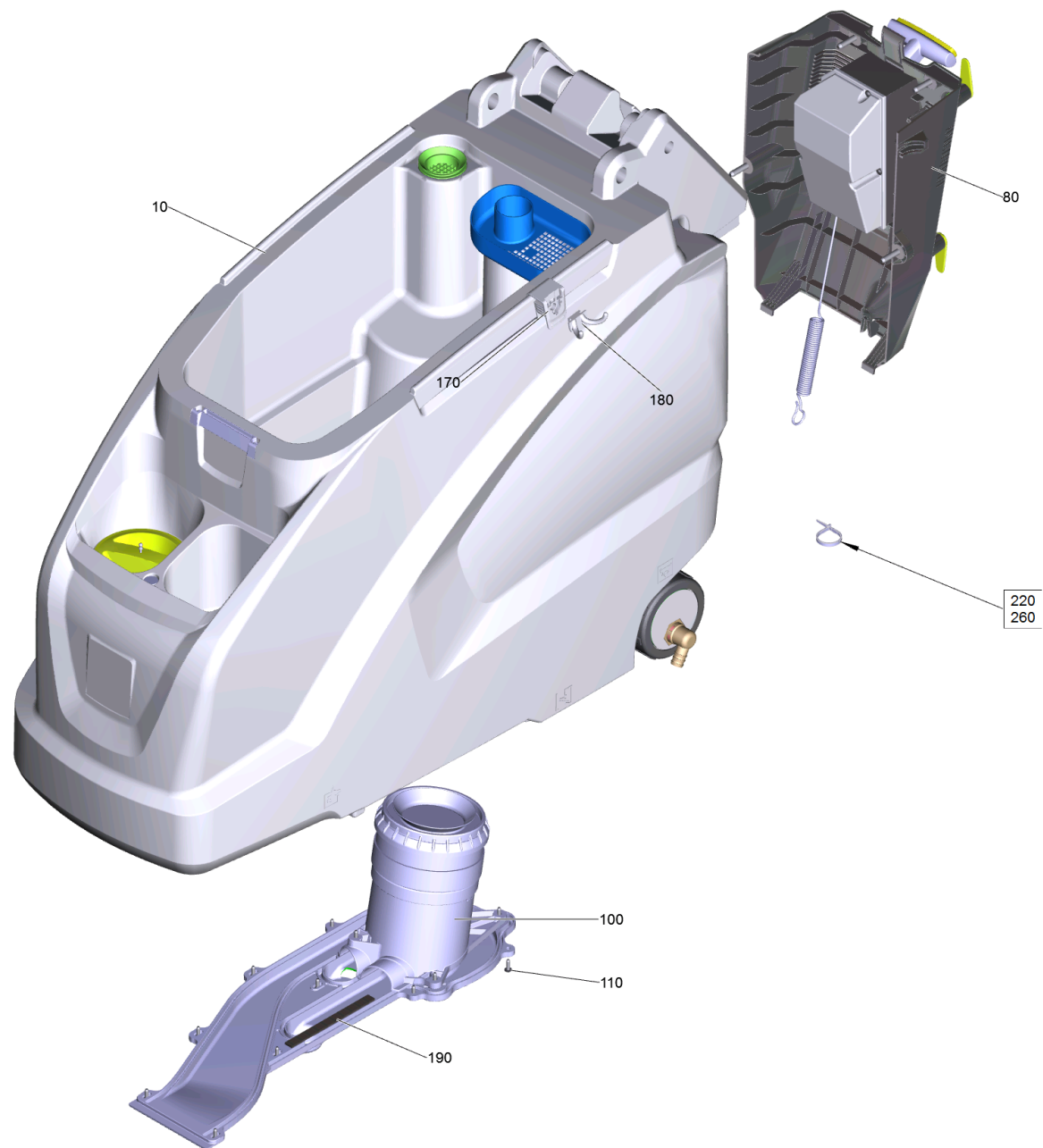
Table of contents

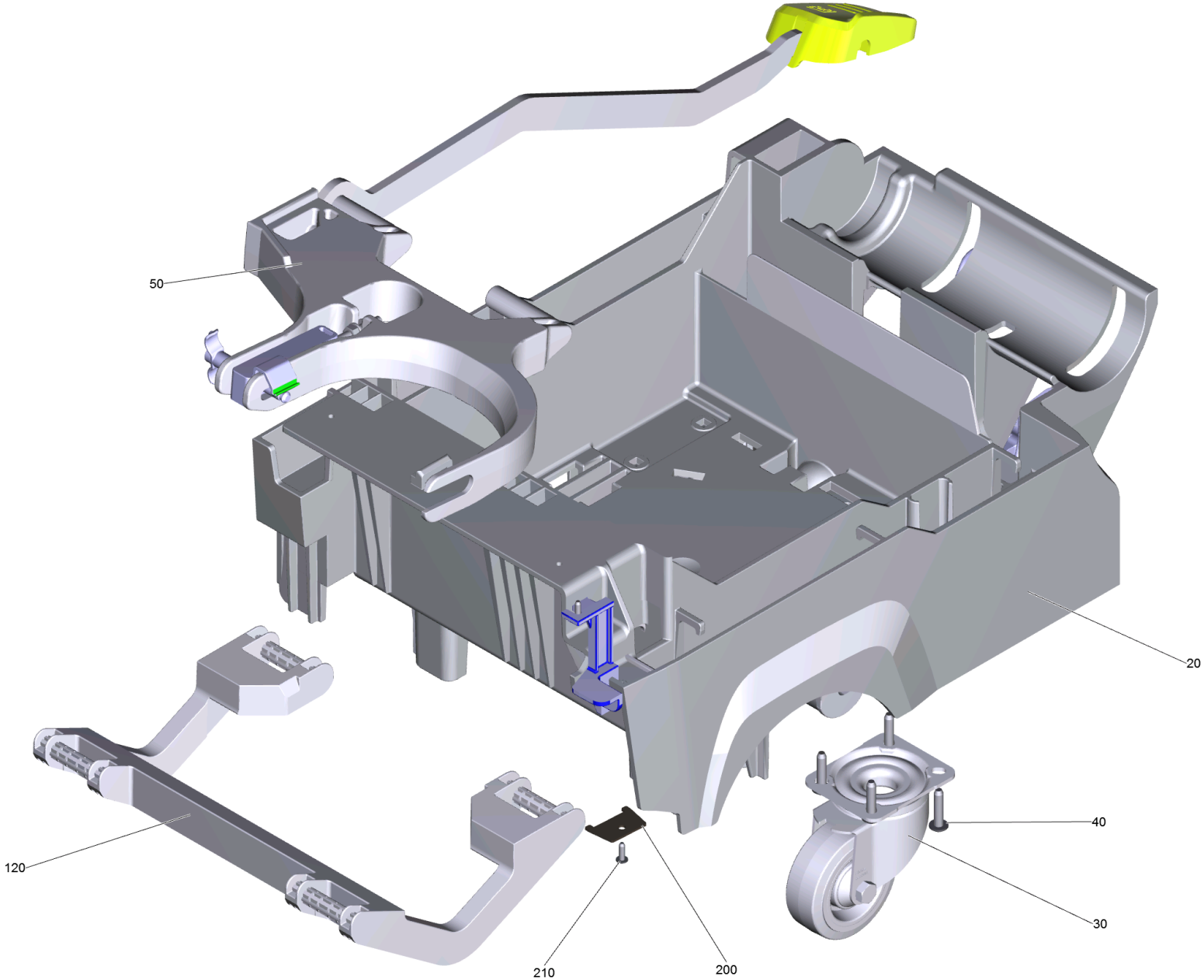
60 Profile pre-assembled right AB 900 mm	80
70 Profile pre-assembled left AB 900 mm	81
9002 Support roller complete replacement (4.035-171.0)	82
334 Suction bar curved 850mm (4.777-411.0)	84
600 Spare parts list suction bar curved 850m (5.971-728.0)	85
10 Suction bar pre-assembled curved 850mm	87
9000 Support roller complete replacement (4.035-171.0)	89
9000 Roller suction bar (4.035-339.0)	91
9000 Set universal hook (4.070-075.0)	93

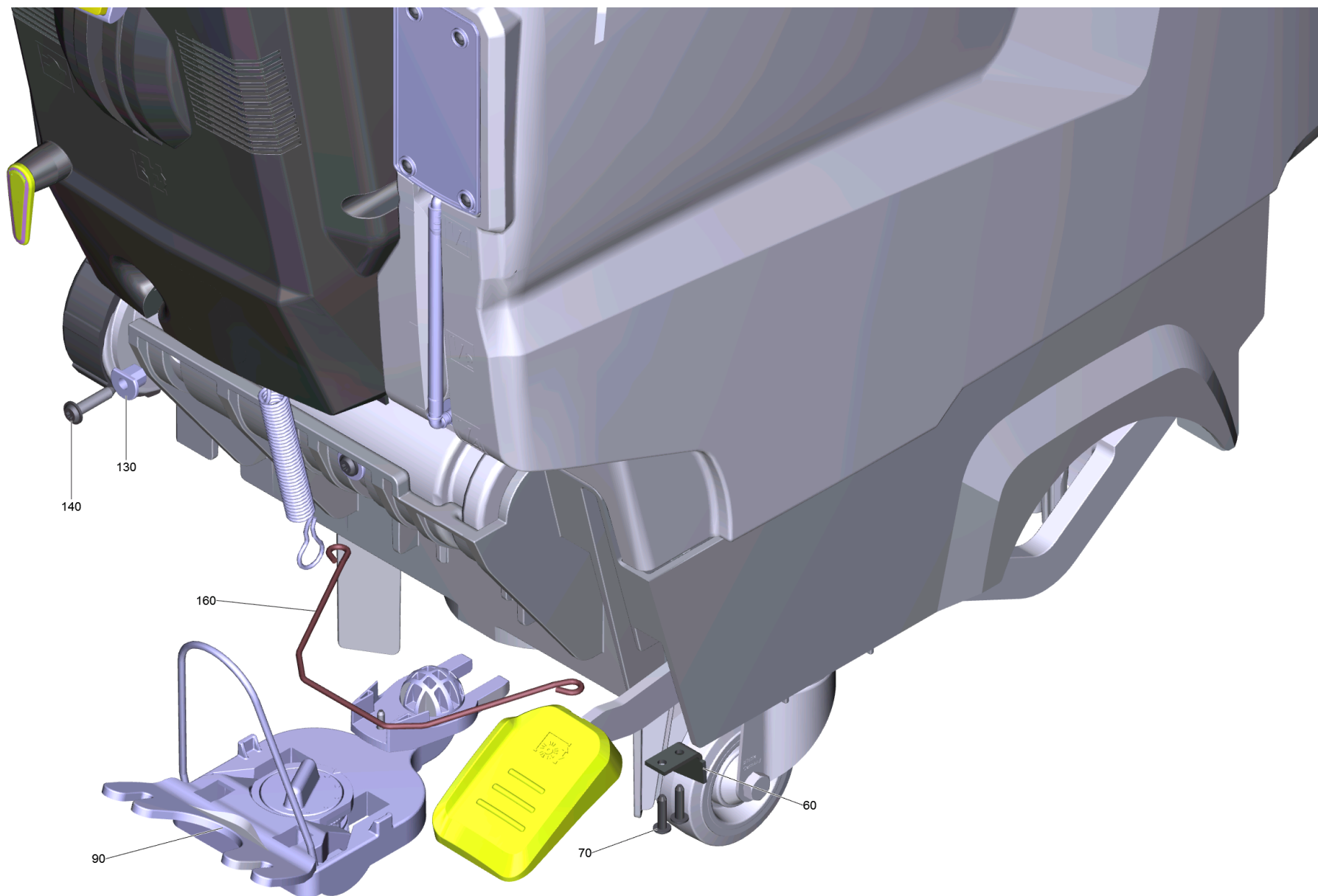


410 Spare parts list B40W+R55+Autofill+Squee (5.974-056.0)

POS	Article no.	Description	Quantity	Unit	Foot note text
10		Basic machinery B40	1.000	ST	
20		Control panel complete BAT W	1.000	ST	
30	6.303-315.0	Screw 8 x 35	4.000	ST	
40		Electric equipment B40 W Bp Dose	1.000	ST	
50	5.035-450.0	Bearing bush electronics	2.000	ST	
51	5.035-433.0	Adapter	2.000	ST	
60	7.303-107.0	Screw 5x16 -10.9-P2R (K-In6Rd)	3.000	ST	
70		Gear complete B 40	1.000	ST	
100	4.035-196.0	Solenoid valve for replacement 24 V	1.000	ST	
160	6.390-892.0	Spiral hose NW12	1.000	M	TO ORDER AS CUT GOODS
170	5.443-375.0	Hose stem	1.000	ST	
180	6.362-170.0	O-Ring seal 11,3 X 2,4-NBR 70	1.000	ST	
300	6.643-948.0	Pole binder single	1.000	ST	
310	5.394-852.0	Covering cap battery terminal	1.000	ST	
320	6.641-463.0	Cable tape	2.000	ST	
330	4.035-334.0	Cover complete	1.000	ST	
331	2.763-011.0	Brush-head R 55 W	1.000	ST	
332	4.035-345.0	Auto-Fill-In	1.000	ST	
334	4.777-411.0	Suction bar curved 850mm	1.000	ST	
334	4.777-079.0	Suction bar v-shaped 900mm	1.000	ST	
339	5.035-488.0	Adapter Homebase	1.000	ST	
340	6.980-078.0	Holder handheld grey	1.000	ST	
9000	4.070-075.0	Set universal hook	1.000	ST	

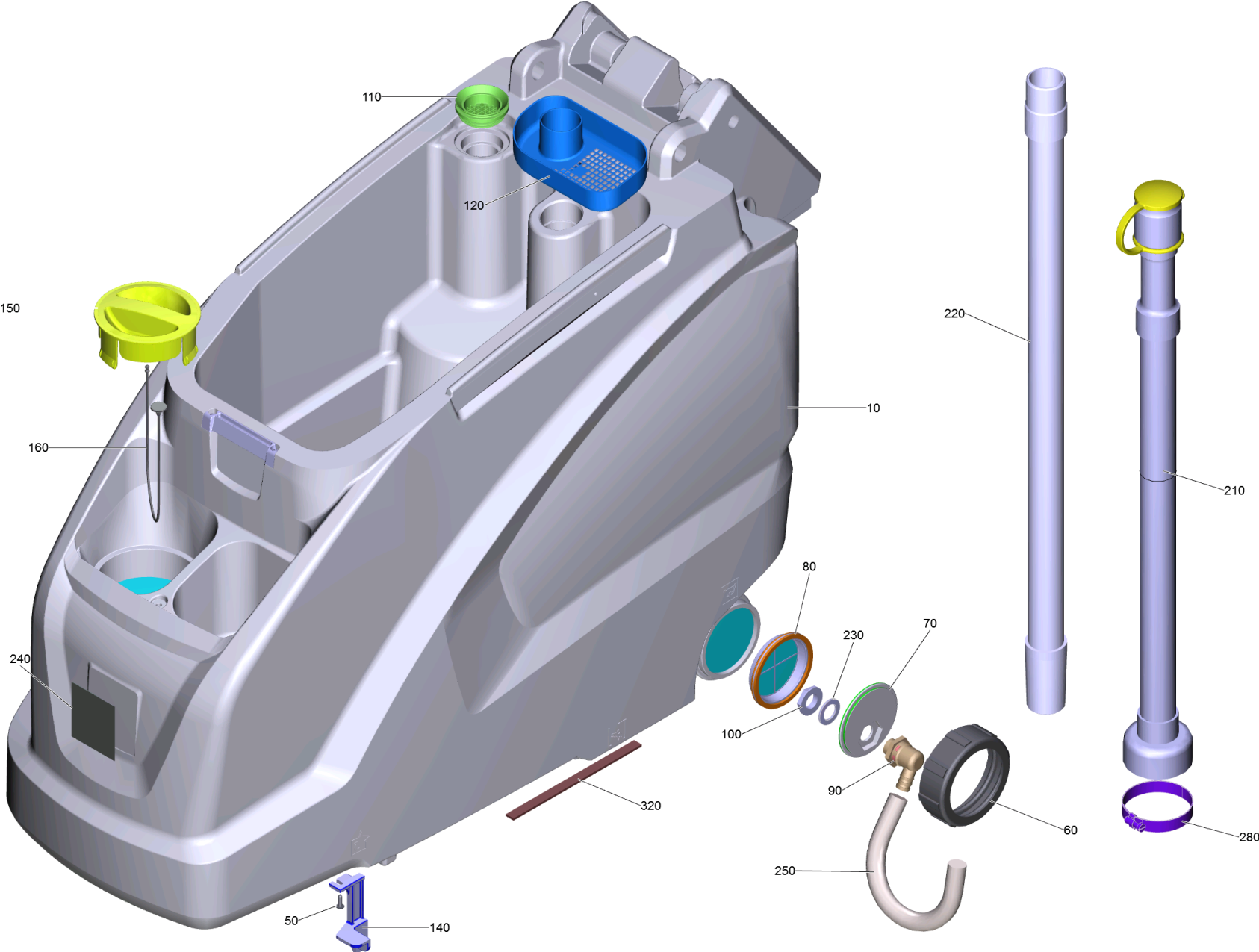


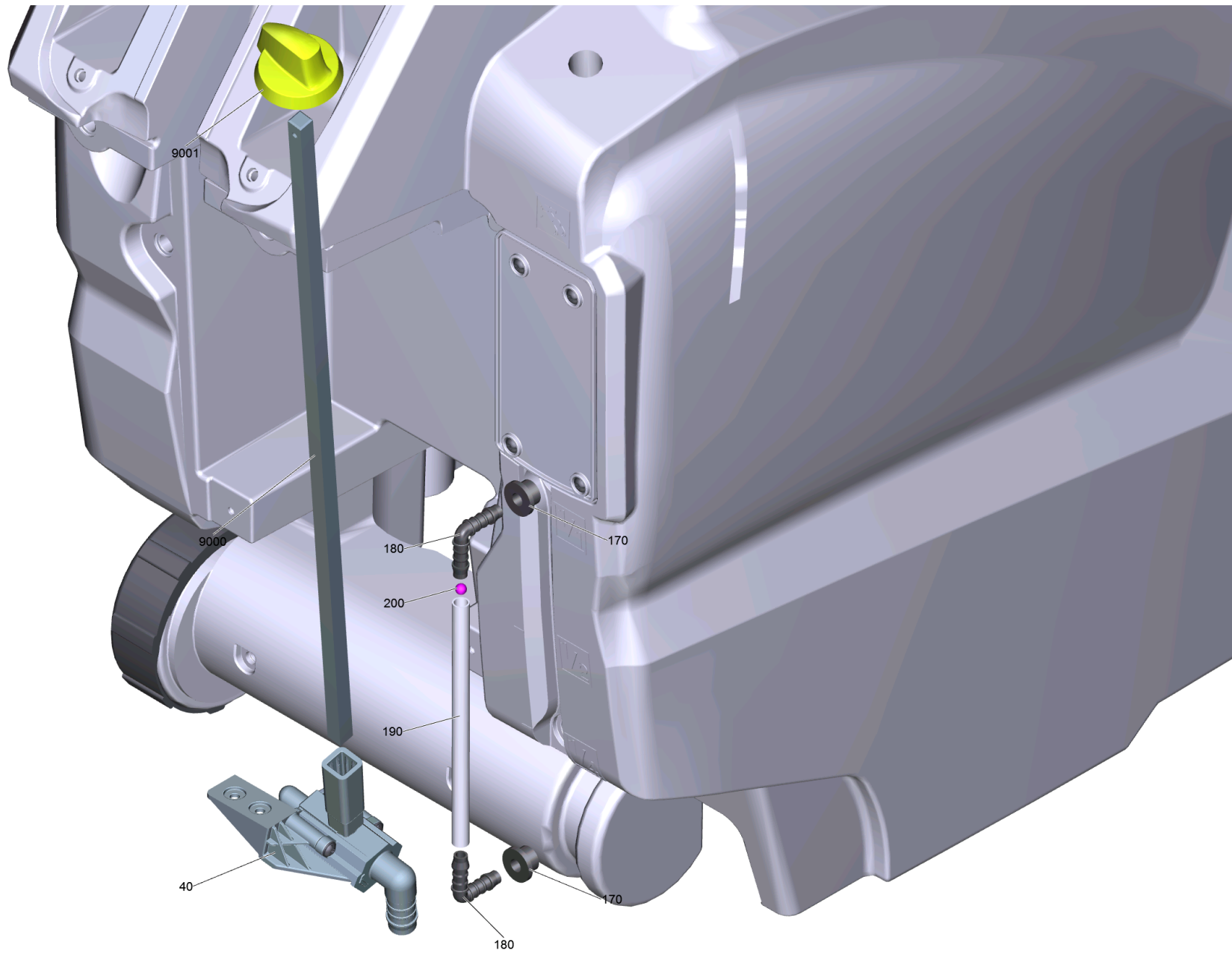


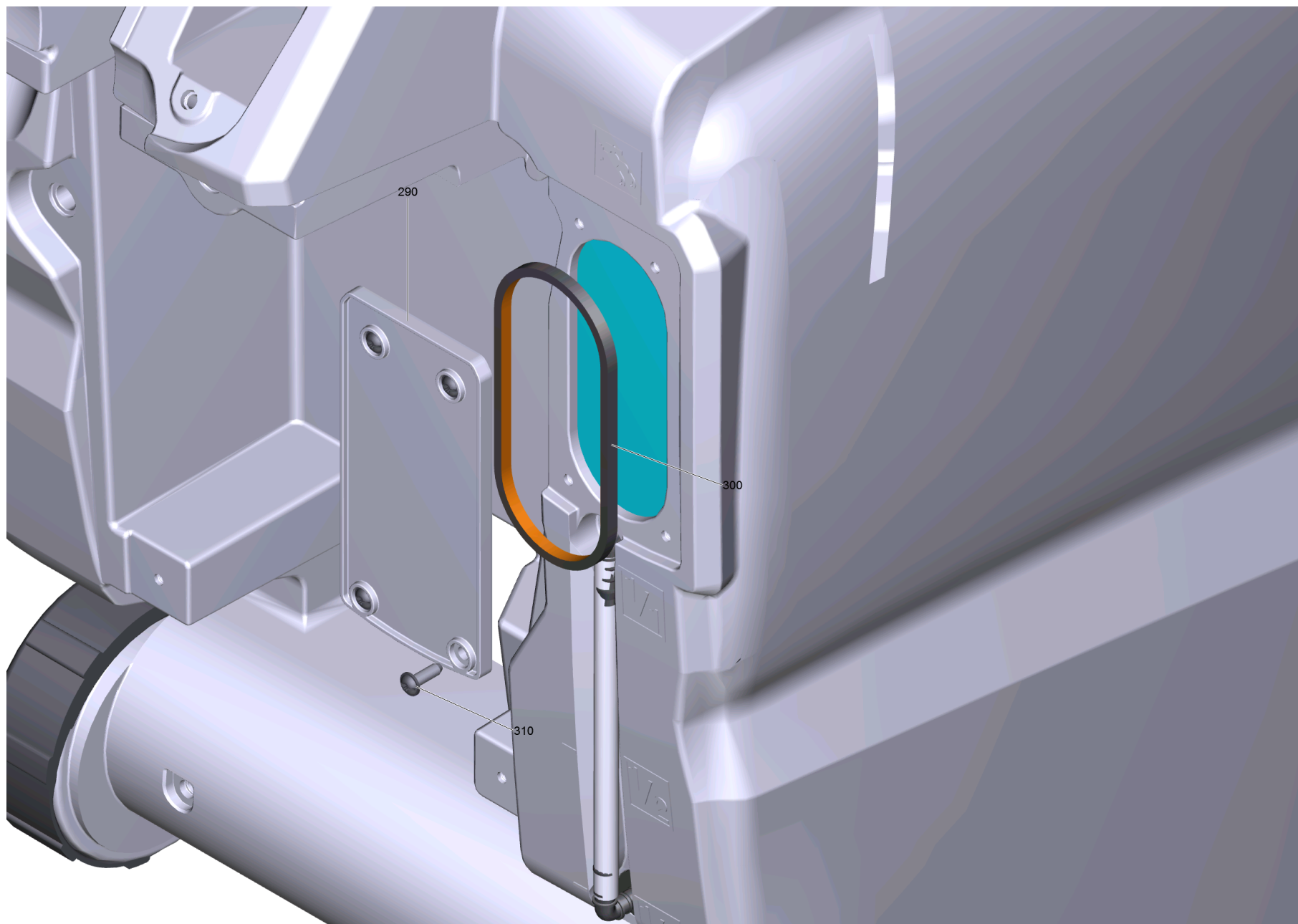


10 Basic machinery B40

POS	Article no.	Description	Quantity	Unit	Foot note text
10	4.035-335.0	Tank complete	1.000	ST	
20	5.035-350.0	Frame B40	1.000	ST	
30	6.435-011.0	Castor	2.000	ST	
40	6.303-315.0	Screw 8 x 35	8.000	ST	
50		Suspension brush-head complete	1.000	ST	
60	5.035-361.0	Sheet metal component	1.000	ST	
70	7.303-109.0	Screw 5x25 -10.9-R2R (In6Rd)	2.000	ST	
80		Covering cap rear complete	1.000	ST	
90		Suction bar lifting complete	1.000	ST	
100		Vacuum motor enclosure	1.000	ST	
110	7.303-107.0	Screw 5x16 -10.9-P2R (K-In6Rd)	13.000	ST	
120	5.035-334.0	Retaining bracket connecting rod	1.000	ST	
130	5.035-522.0	Sleeve	3.000	ST	
140	6.303-315.0	Screw 8 x 35	3.000	ST	
160	5.035-440.0	Wire spring	1.000	ST	
170	5.035-488.0	Adapter Homebase	1.000	ST	
180	6.980-077.0	Double hook	1.000	ST	
190	6.273-090.0	Sealing tape 13x3	1.000	M	TO ORDER AS CUT GOODS
200	5.035-726.0	Plate	1.000	ST	
210	7.303-107.0	Screw 5x16 -10.9-P2R (K-In6Rd)	1.000	ST	
220	6.641-465.0	Cable tape	1.000	ST	
260	6.647-081.0	Cable tape	1.000	ST	

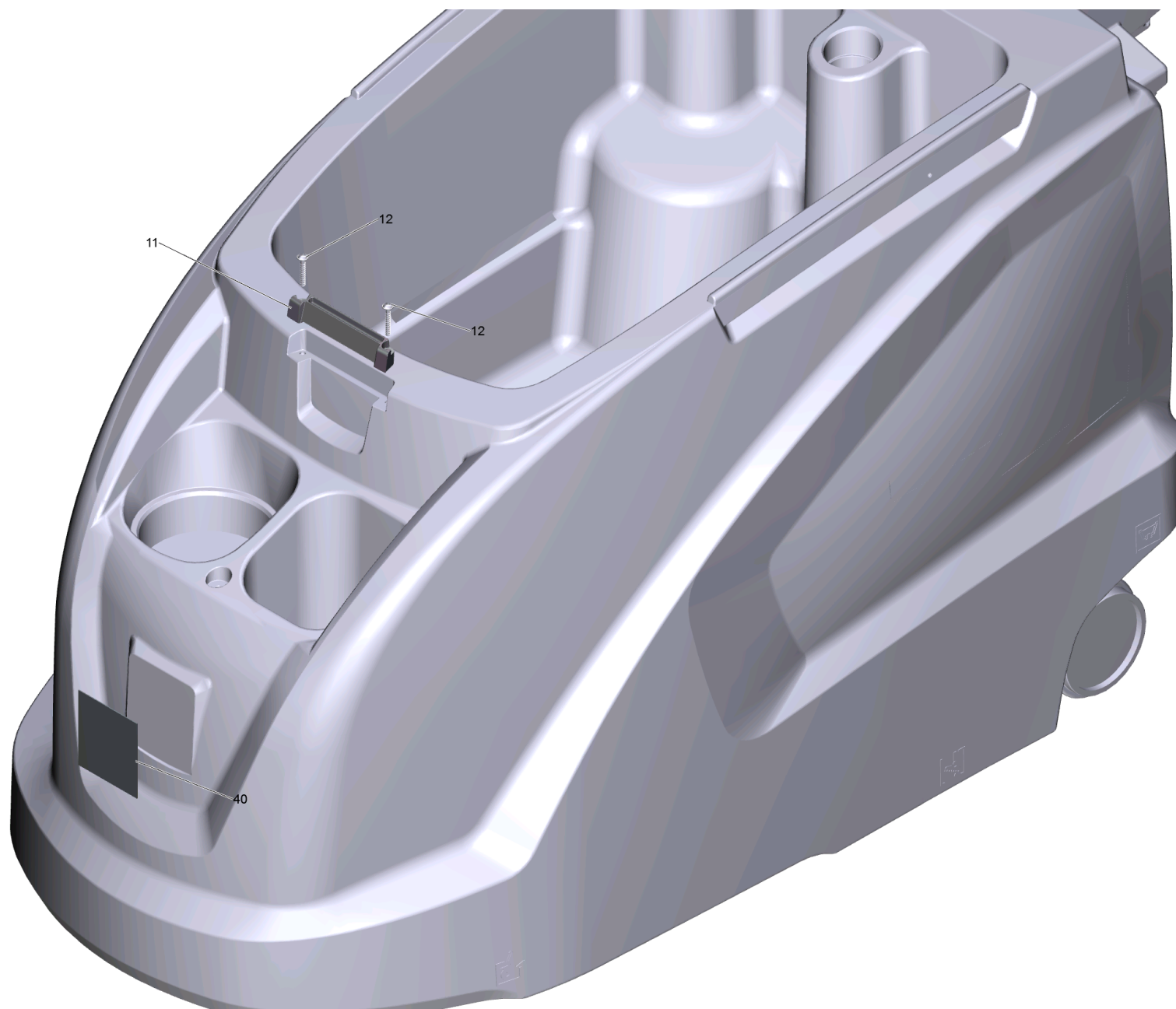






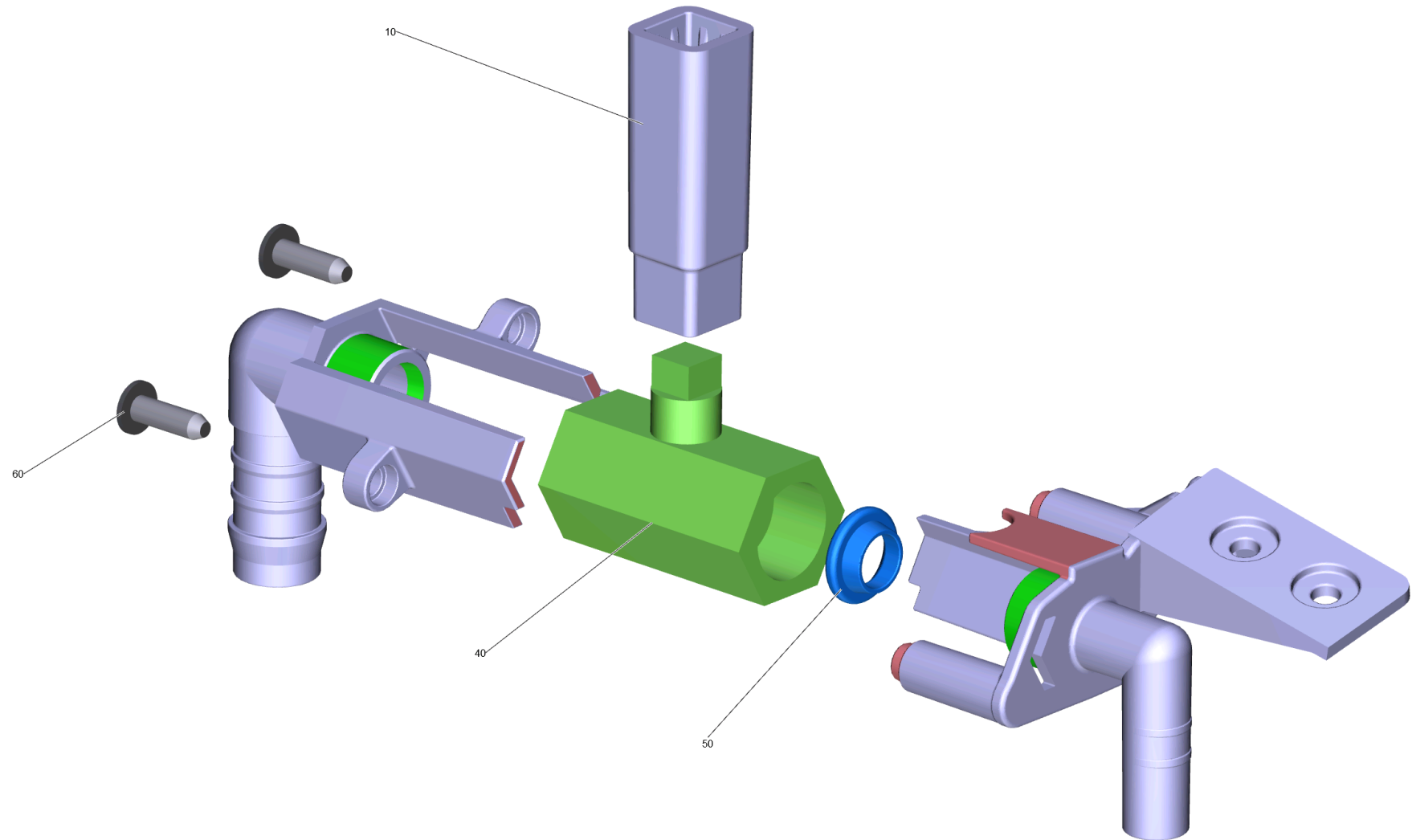
10 Tank complete (4.035-335.0)

POS	Article no.	Description	Quantity	Unit	Foot note text
10	4.035-429.0	Tank replacement	1.000	ST	
40	4.035-426.0	Ball valve complete replacement	1.000	ST	
50	7.303-107.0	Screw 5x16 -10.9-P2R (K-In6Rd)	3.000	ST	
60	5.035-341.0	Cover fresh water tank discharge	1.000	ST	
70	5.035-342.0	Hose connection fresh water discharge	1.000	ST	
80	5.035-376.0	Filter discharge	1.000	ST	
90	6.395-163.0	Angle bushing G1-2	1.000	ST	
100	6.310-004.0	Hexagon nut G 1/2"	1.000	ST	
110	5.515-266.0	Joint ring fluffing strainer	1.000	ST	
120	5.035-375.0	Tank bulk waste	1.000	ST	
140	5.035-435.0	Tank locking part	1.000	ST	
150	5.035-380.0	Cover fresh water filler neck	1.000	ST	
160	5.035-358.0	Mounting rope cover fresh water tank	1.000	ST	
170	5.035-608.0	Wire protecting sleeve	2.000	ST	
180	6.391-913.0	Elbow nipple	2.000	ST	
190	5.035-328.0	Silicon hose level indicator	1.000	ST	
200	6.035-006.0	Sphere level indicator	1.000	ST	
210	4.035-501.0	Drain hose with cover oil resistant B40/	1.000	ST	OIL RESISTANT
210	4.035-442.0	Drain hose with cover yellow	1.000	ST	STANDARD
220	6.392-936.0	Suction hose oil resistant B40/60	1.000	ST	
230	5.515-253.0	Seal D34	1.000	ST	
240	5.394-081.0	Label signet gel 78x86	1.000	ST	
250	6.390-324.0	Hose DN15	1.000	M	TO ORDER AS CUT GOODS
280	6.388-767.0	Hose clip 70- 90	1.000	ST	
290	4.035-370.0	Screen filling system	1.000	ST	
300	5.035-418.0	Seal fixing plate	1.000	ST	
310	7.303-107.0	Screw 5x16 -10.9-P2R (K-In6Rd)	4.000	ST	
320	6.273-043.0	Sealing tape cellularrubber 9x4	1.000	M	TO ORDER AS CUT GOODS
9000	5.035-369.0	Bar	1.000	ST	
9001	5.035-404.0	Handle	1.000	ST	



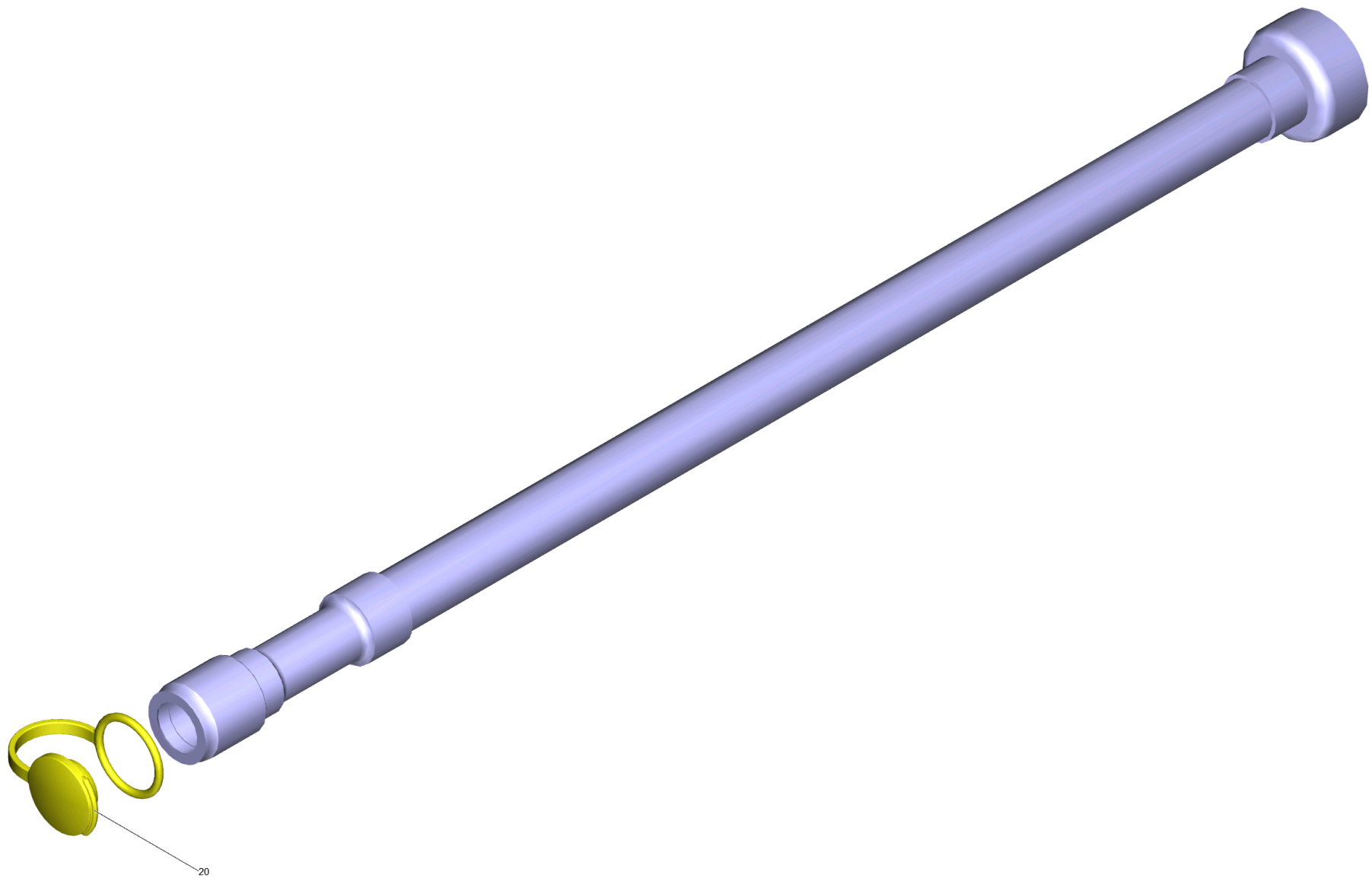
10 Tank replacement (4.035-429.0)

POS	Article no.	Description	Quantity	Unit
11	5.035-482.0	Add-on part tank cover	1.000	ST
12	7.303-086.0	Screw 5x30 -10.9-R2R (K-In6Rd)	2.000	ST
40	5.394-081.0	Label signet gel 78x86	1.000	ST



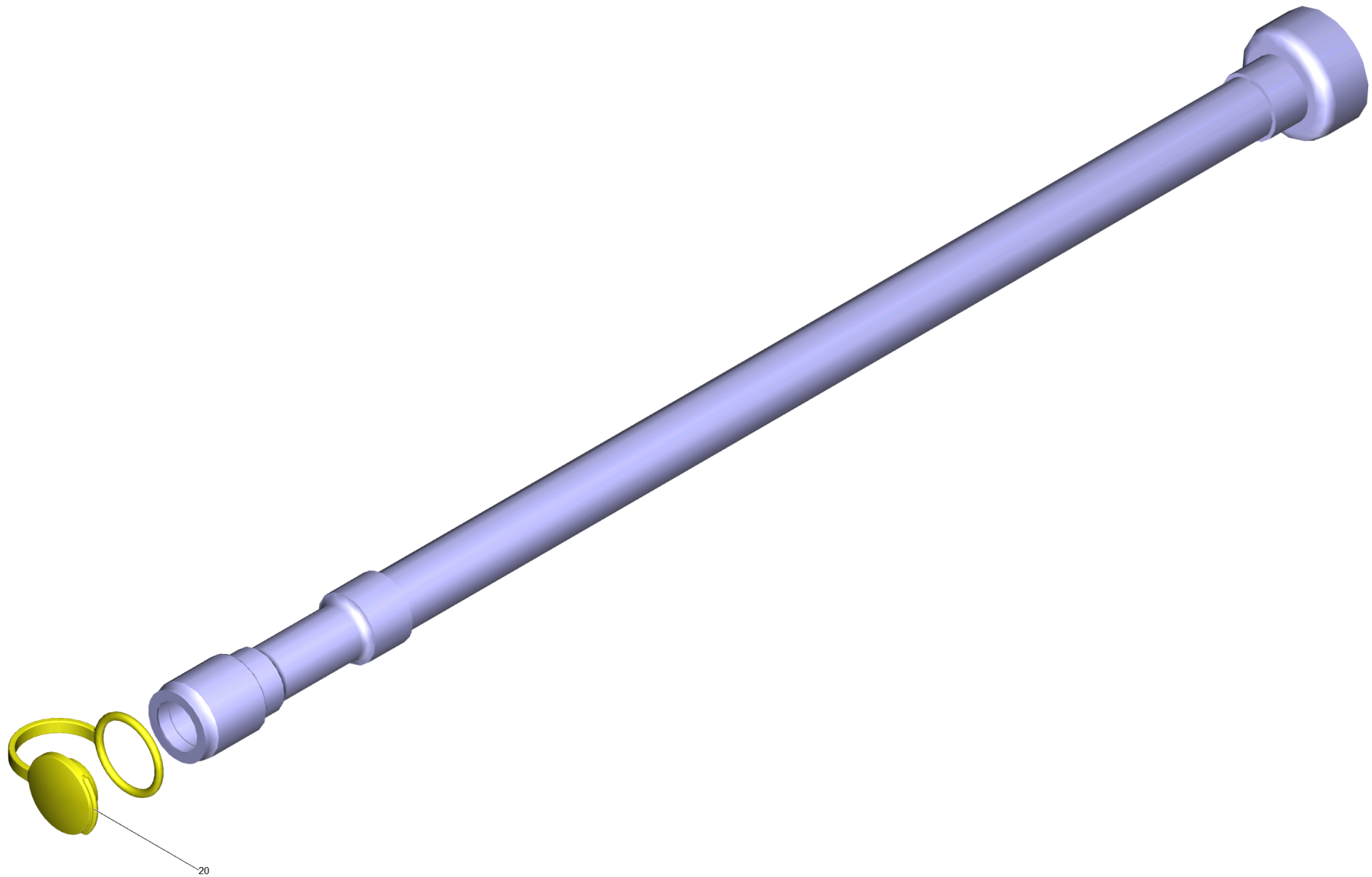
40 Ball valve complete replacement (4.035-426.0)

POS	Article no.	Description	Quantity	Unit
10	5.035-459.0	Coupler piece ball valve	1.000	ST
40	6.413-586.0	Ball valve without handhold	1.000	ST
50	5.035-770.0	Seal ball valve	2.000	ST
60	7.303-107.0	Screw 5x16 -10.9-P2R (K-In6Rd)	2.000	ST



210 Drain hose with cover yellow (4.035-442.0)

POS	Article no.	Description	Quantity	Unit
20	5.035-723.0	Cover drain hose yellow	1.000	ST

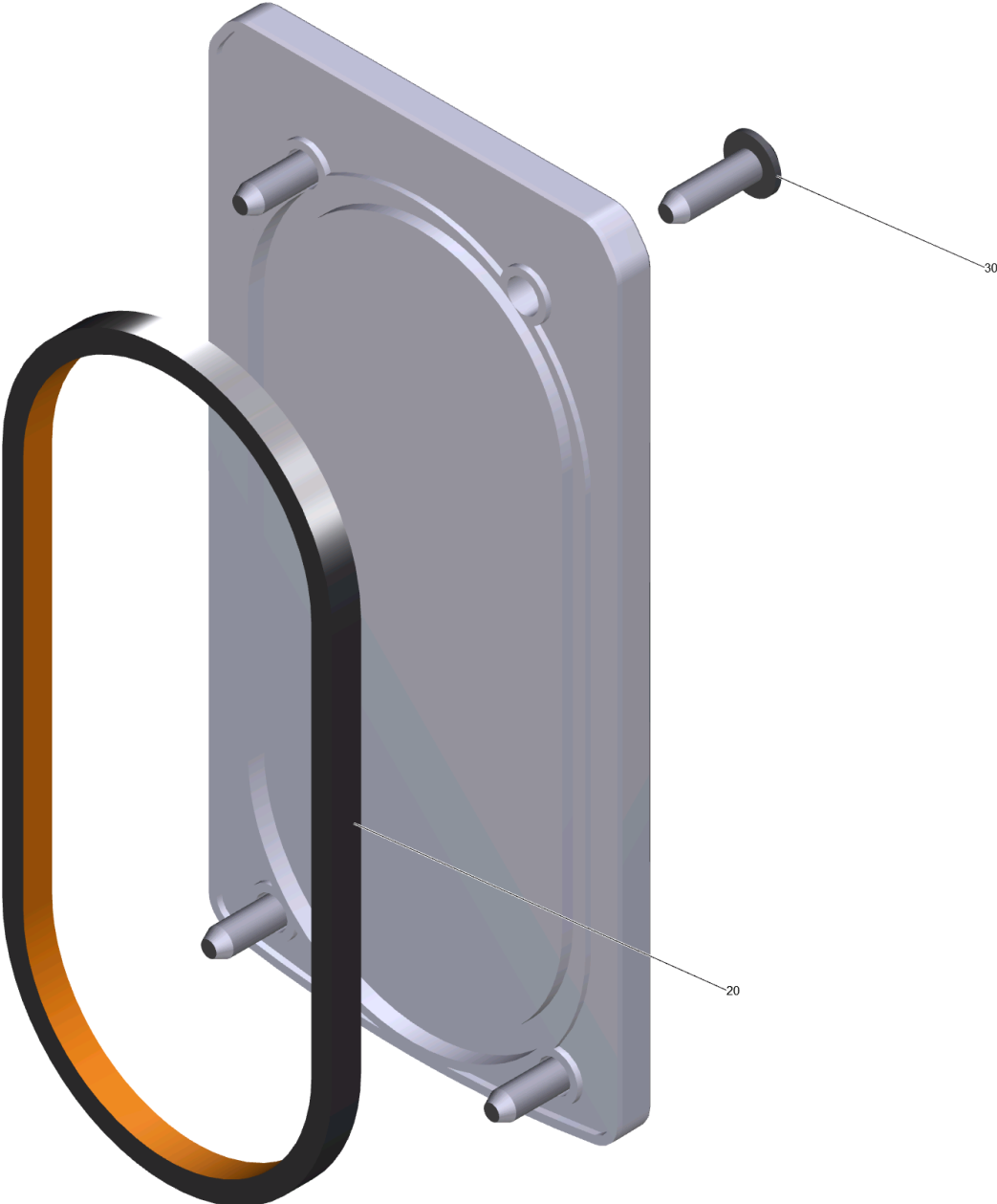


210 Drain hose with cover oil resistant B40/ (4.035-501.0)

POS	Article no.	Description	Quantity	Unit
20	5.035-815.0	Cover drain hose oil resistant	1.000	ST

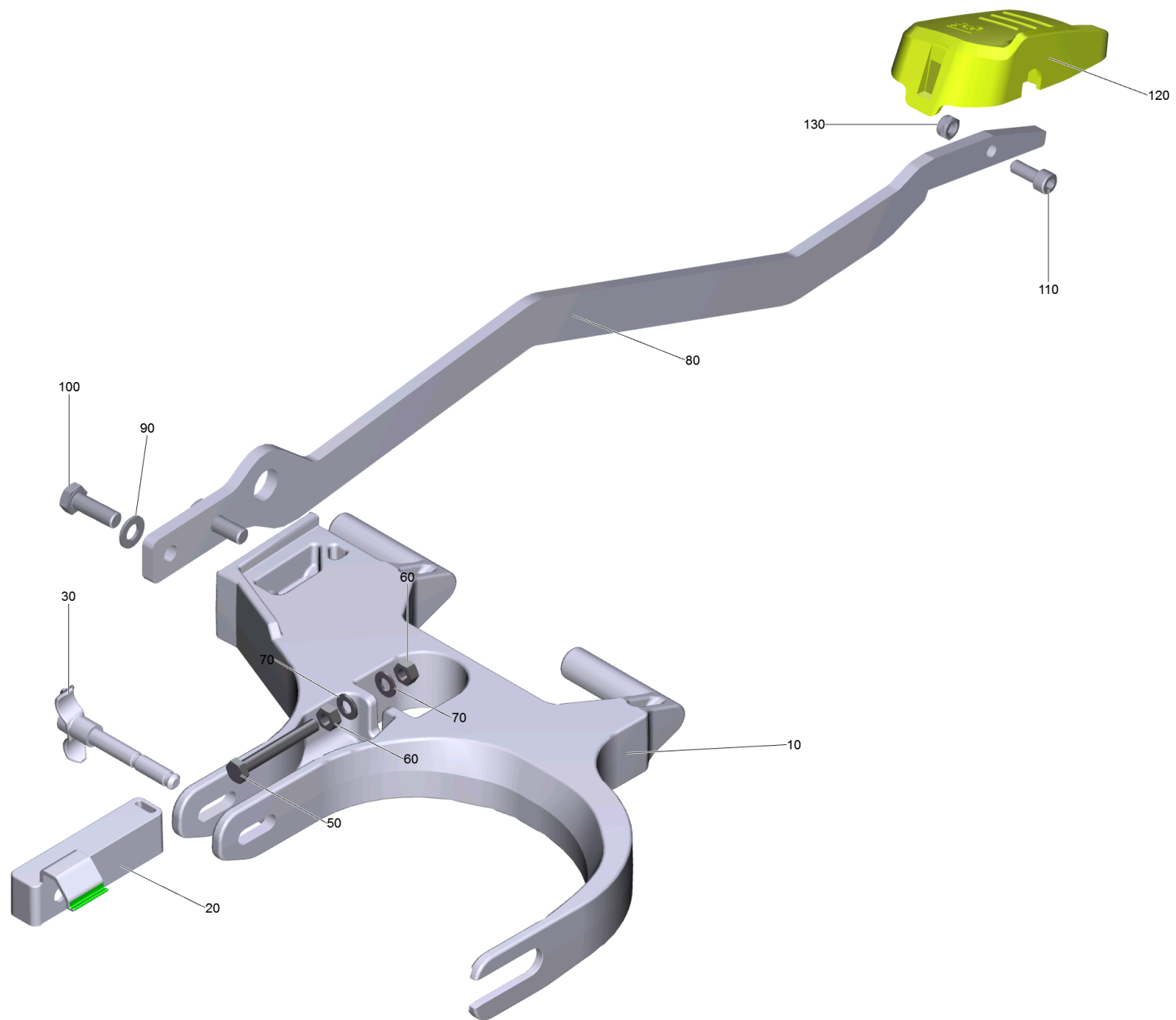
290 Screen filling system (4.035-370.0)

POS	Description	Quantity	Unit
10	Screen filling system	1.000	ST



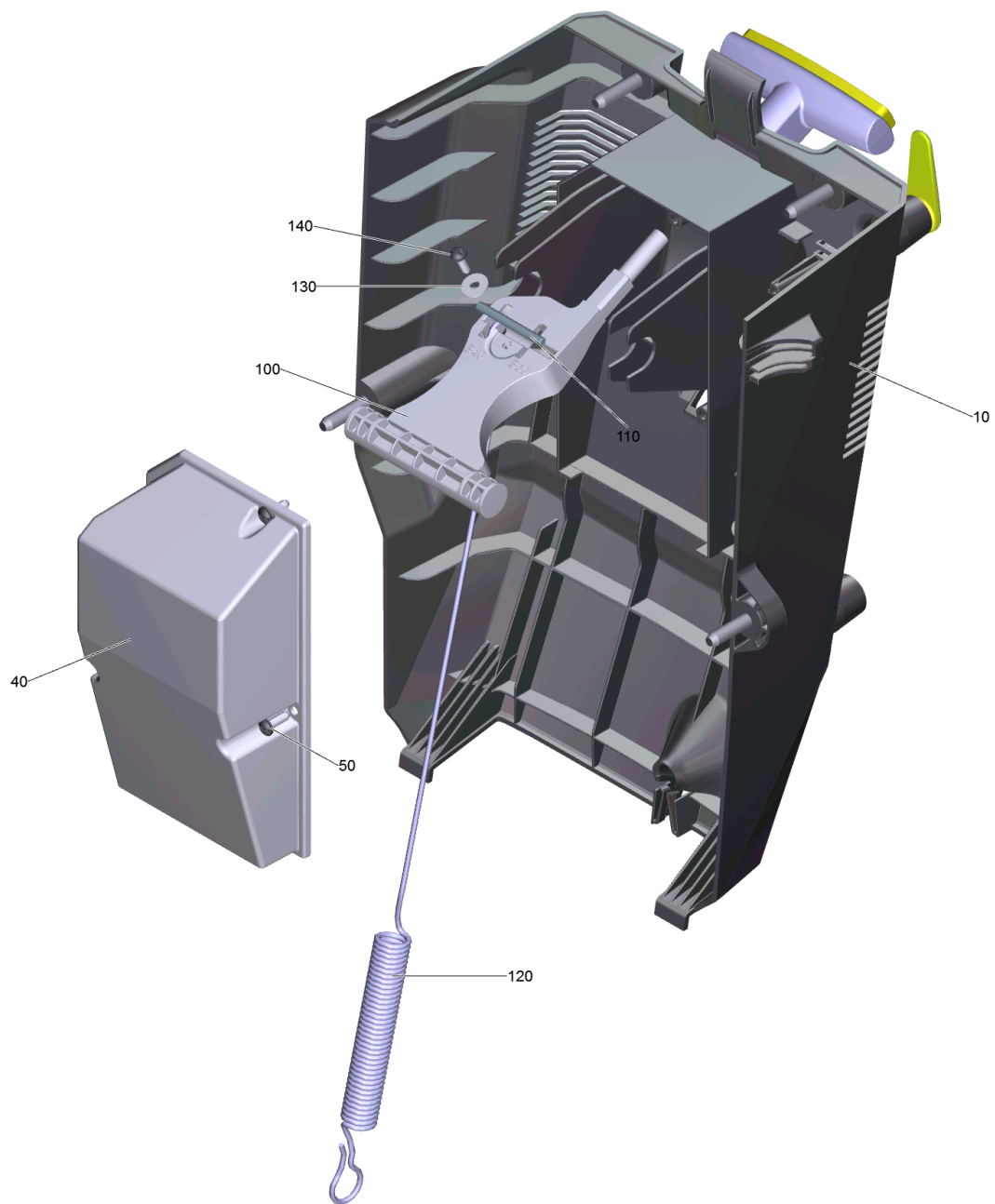
10 Screen filling system

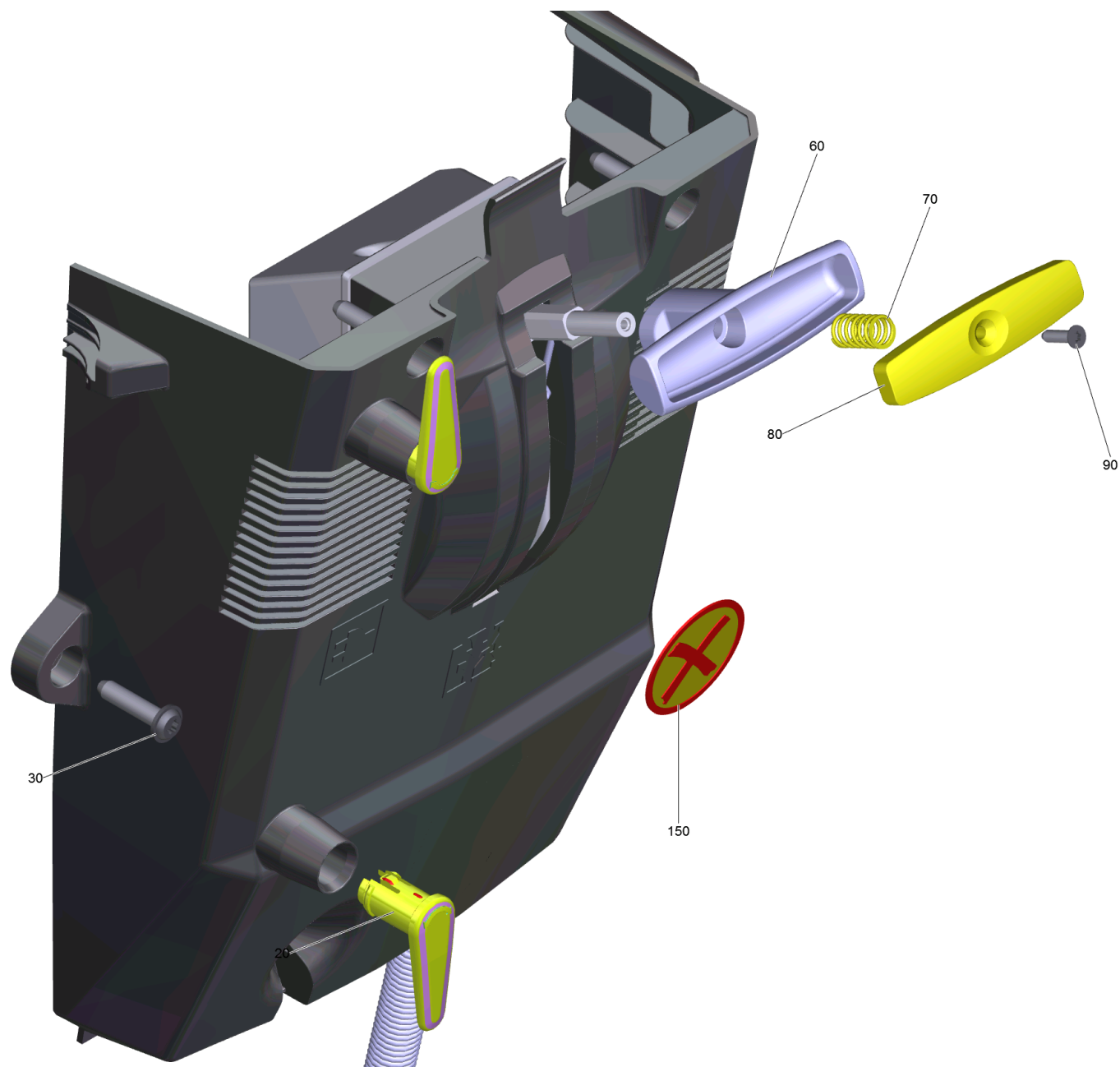
POS	Article no.	Description	Quantity	Unit
20	5.035-418.0	Seal fixing plate	1.000	ST
30	7.303-107.0	Screw 5x16 -10.9-P2R (K-In6Rd)	4.000	ST



50 Suspension brush-head complete

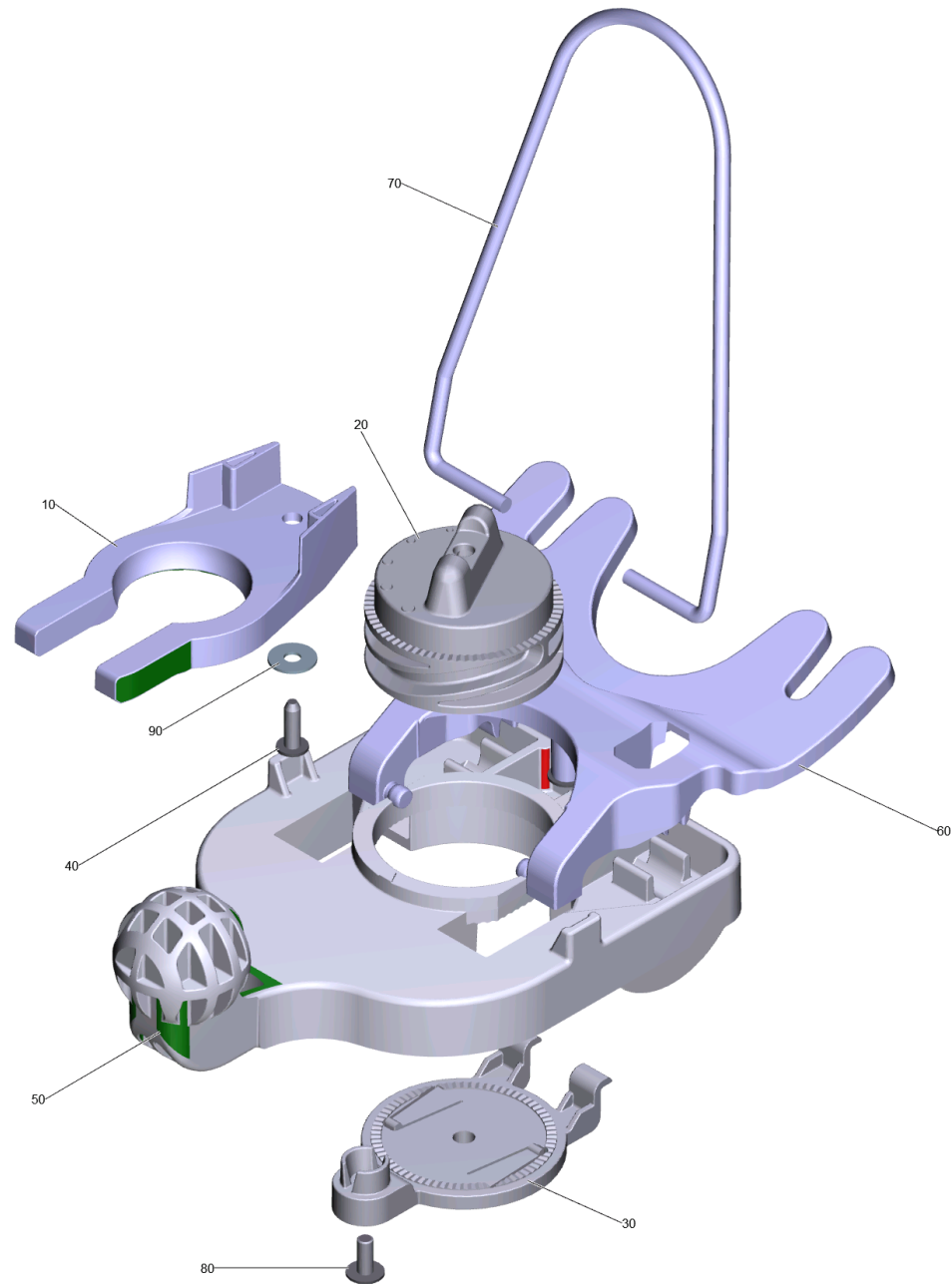
POS	Article no.	Description	Quantity	Unit
10	5.035-675.0	Suspension brush-head triple	1.000	ST
20	5.035-377.0	Adjusting element brush-head	1.000	ST
30	5.035-865.0	Handhold bolt brush-head	1.000	ST
50	7.304-262.0	Hexagonal head screw M8x60-A4-70 ISO 40	1.000	ST
60	7.311-068.0	Hexagon nut M 8-A2-70 ISO 4032	2.000	ST
70	7.312-004.0	Washer 8 -200HV-A3E ISO 7090	2.000	ST
80	5.035-370.0	Lever plate brush-head	1.000	ST
90	7.312-005.0	Washer 10-200HV-A3E ISO 7090	2.000	ST
100	7.304-417.0	Hexagonal head screw M10x30-8.8-A3E ISO	2.000	ST
110	7.306-041.0	Cylinder head screw M8x20 -8.8-A2E ISO	1.000	ST
120	5.035-374.0	Pedal brush-head	1.000	ST
130	7.311-432.0	Hexagon nut M 8-1.4305 ISO 10511	1.000	ST





80 Covering cap rear complete

POS	Article no.	Description	Quantity	Unit
10	5.035-366.0	Covering cap	1.000	ST
20	5.044-661.0	Catch for cable yellow	2.000	ST
30	6.303-315.0	Screw 8 x 35	4.000	ST
40	5.035-446.0	Cover covering cap rear	1.000	ST
50	7.303-107.0	Screw 5x16 -10.9-P2R (K-In6Rd)	3.000	ST
60	5.035-443.0	Handhold adjustment	1.000	ST
70	5.332-481.0	Helical spring	1.000	ST
80	5.326-028.0	Button	1.000	ST
90	7.303-128.0	Countersunk screw 5x20 -10.9-R2R (In6Rd)	1.000	ST
100	5.035-445.0	Lever suction bar	1.000	ST
110	5.035-453.0	Axle lever suction bar	1.000	ST
120	5.035-423.0	Extension spring	1.000	ST
130	7.312-282.0	Washer 5 -A2 ISO 7093-1	1.000	ST
140	7.303-107.0	Screw 5x16 -10.9-P2R (K-In6Rd)	1.000	ST
150	5.380-889.0	Warning sign BR-BD 750	1.000	ST

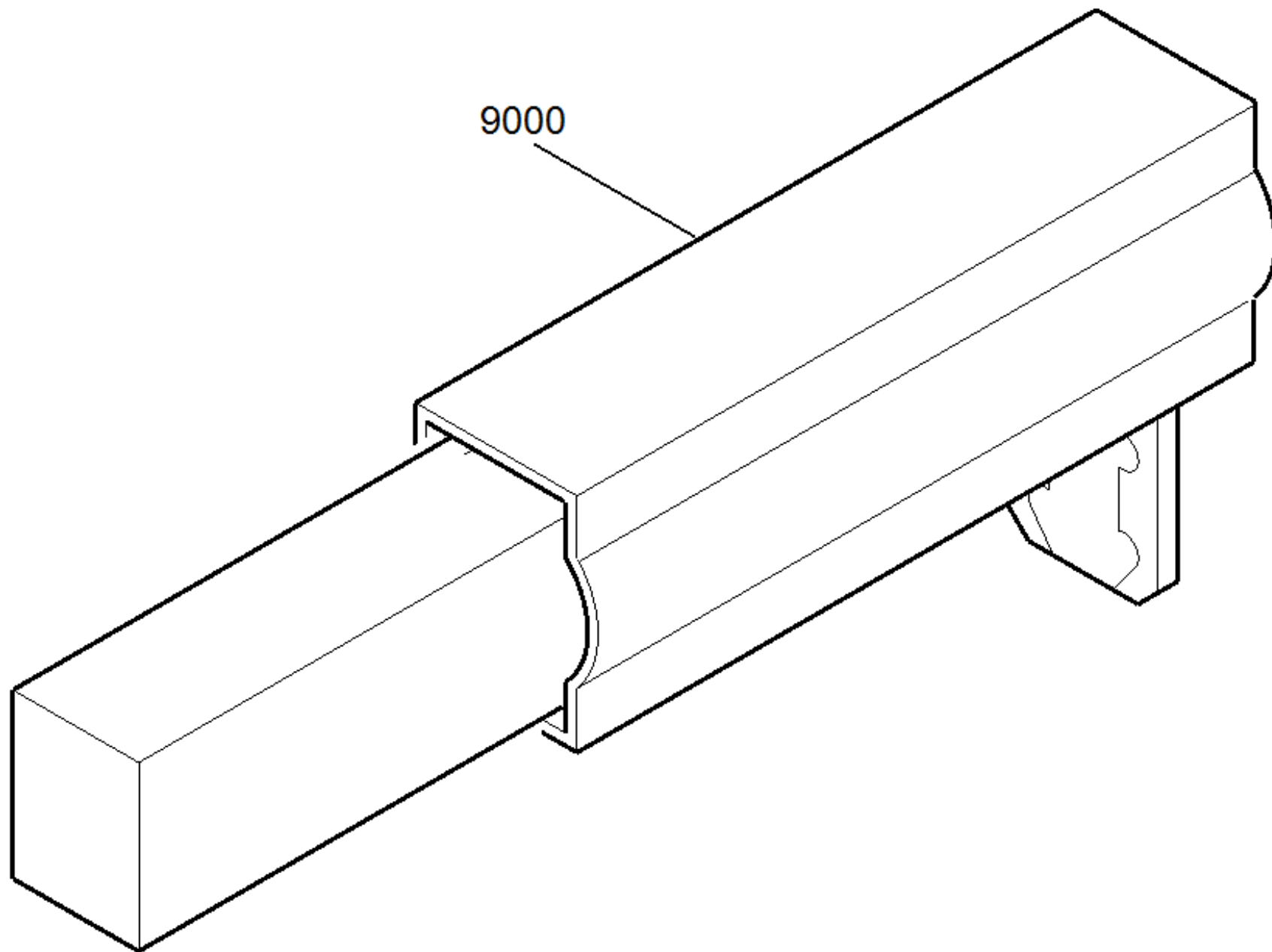


90 Suction bar lifting complete

POS	Article no.	Description	Quantity	Unit
10	5.034-141.0	Fixing plate suction bar	1.000	ST
20	5.035-061.0	Adjusting knob suction bar toothing 2x	1.000	ST
30	5.035-062.0	Covering cap suction bar toothing	1.000	ST
40	7.303-109.0	Screw 5x25 -10.9-R2R (In6Rd)	1.000	ST
50	5.035-354.0	Holder suction bar	1.000	ST
60	5.036-103.0	Rocker suction bar	1.000	ST
70	5.035-382.0	Retaining bracket suction bar	1.000	ST
80	7.306-181.0	Screw M 5x 12-A2-70 (In6Rd)	2.000	ST
90	7.312-282.0	Washer 5 -A2 ISO 7093-1	1.000	ST

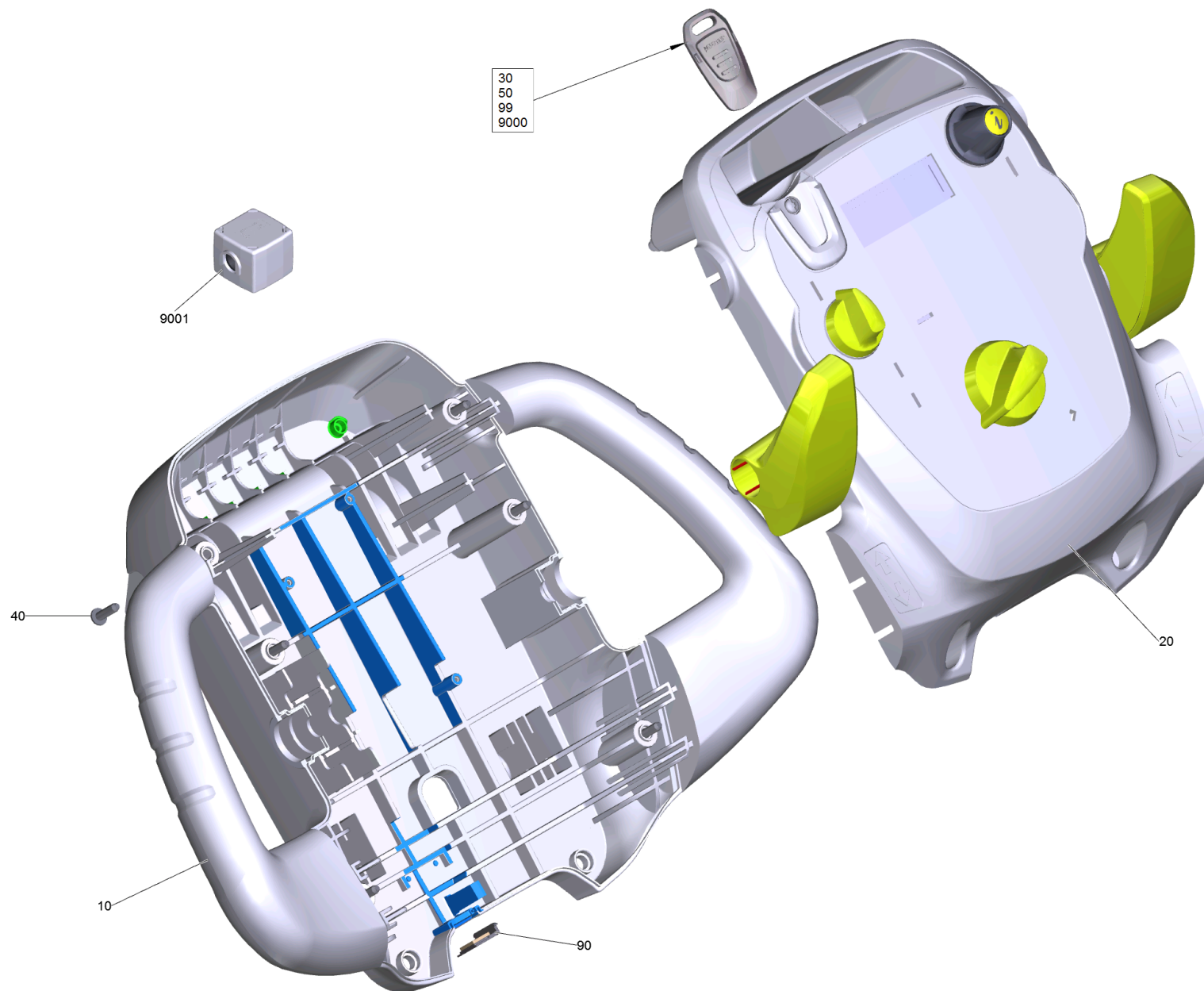
100 Vacuum motor enclosure

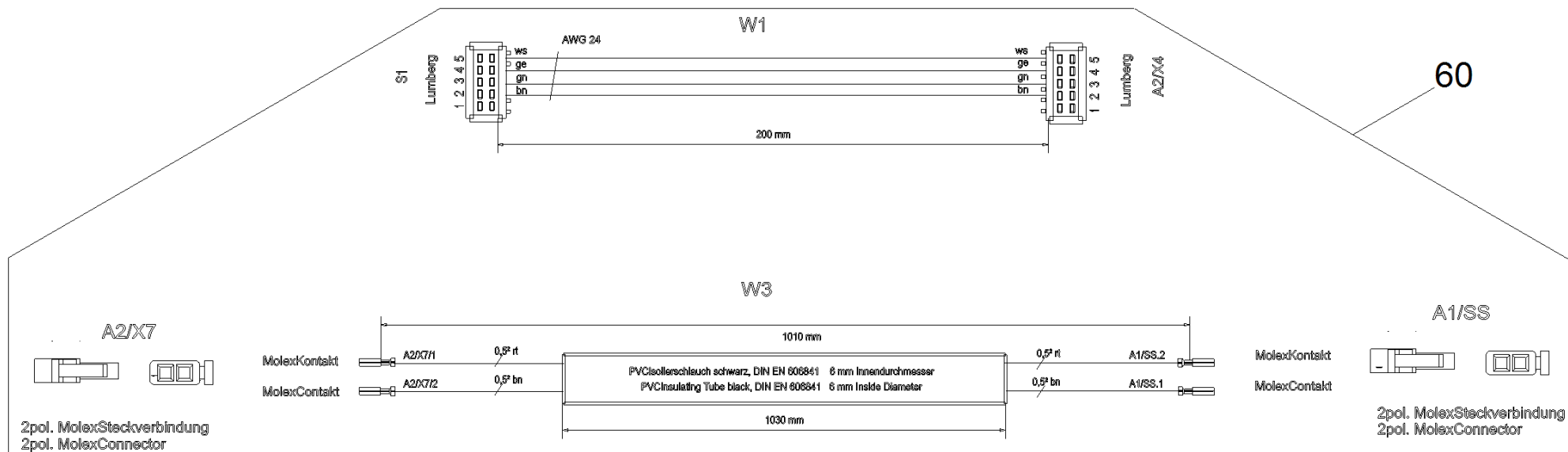
POS	Article no.	Description	Quantity	Unit
10	5.035-192.0	Air circulation above turbine	1.000	ST
20	5.035-964.0	Air circulation bottom turbine	1.000	ST
30	5.035-333.0	Bearing vacuum motor	1.000	ST
40	5.035-332.0	Joint ring turbine	1.000	ST
50	5.363-395.0	Seal	1.000	ST
900	4.035-420.0	Vacuum motor replacement	1.000	ST



900 Vacuum motor replacement (4.035-420.0)

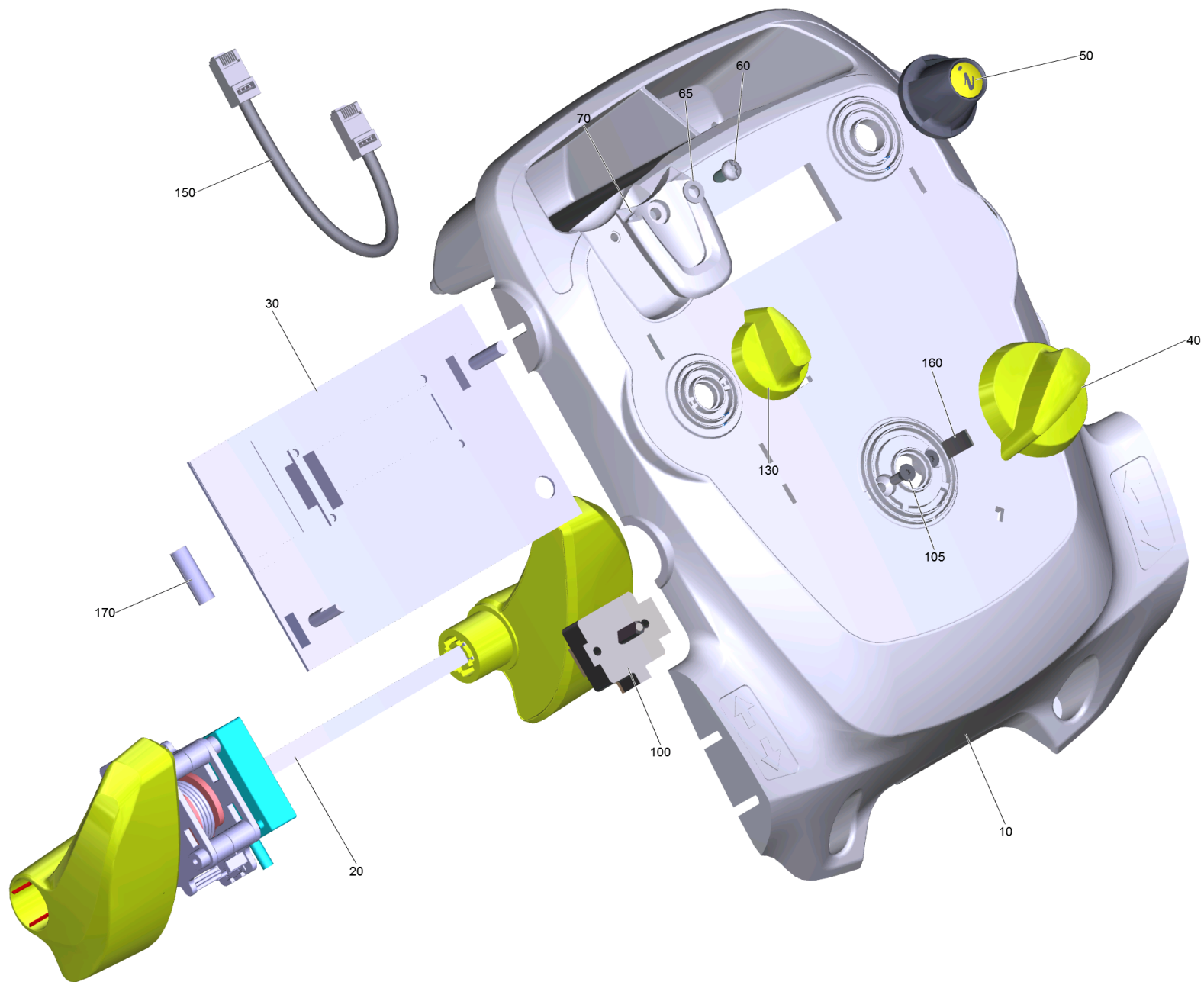
POS	Article no.	Description	Quantity	Unit
9000	6.490-011.0	Carbon brush set	1.000	ST





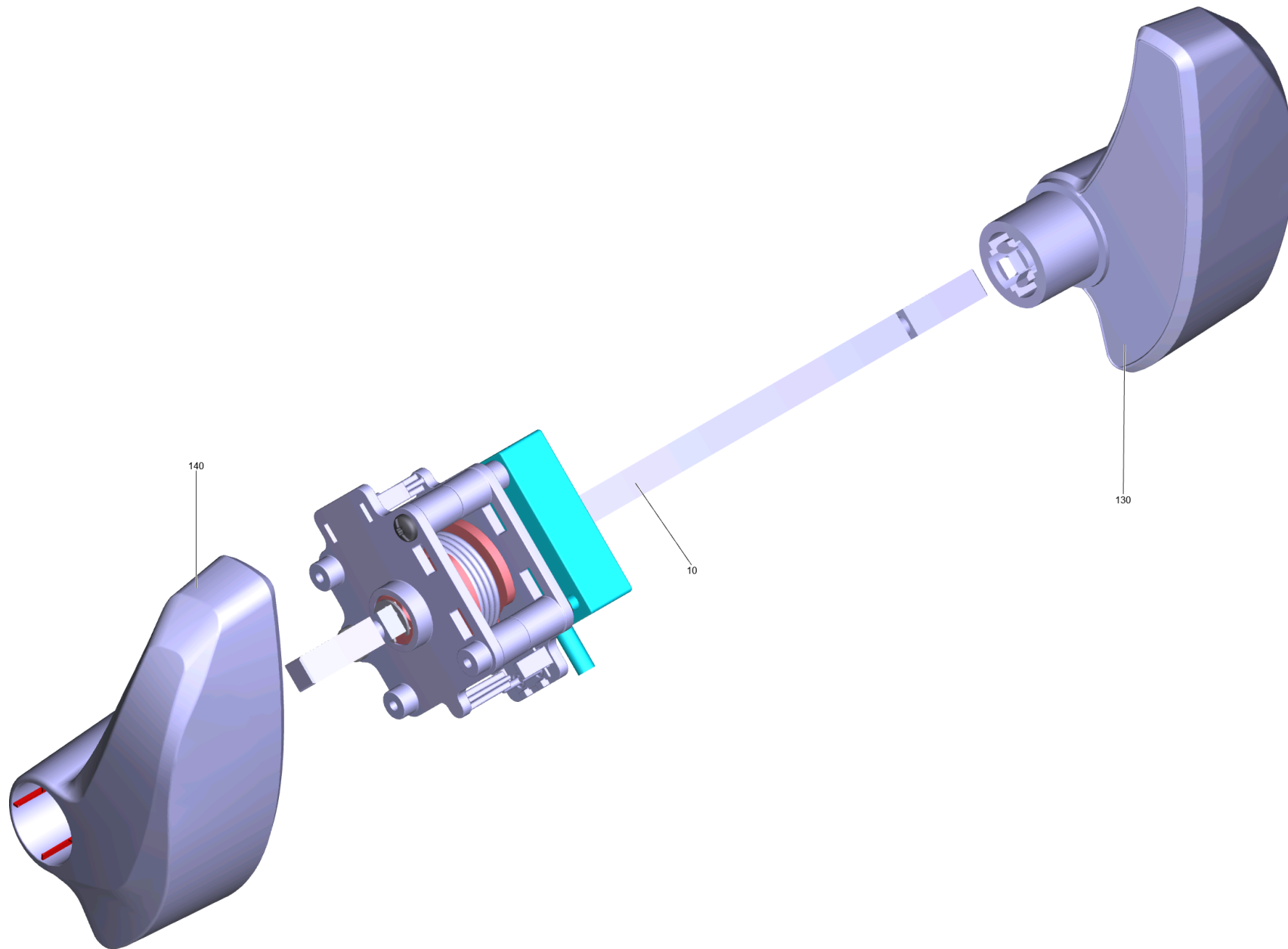
20 Control panel complete BAT W

POS	Article no.	Description	Quantity	Unit	Foot note text
10	5.035-219.0	Housing bottom part control panel	1.000	ST	WITH SLOT FOR 5.033-829.0
10	4.035-131.0	Housing control panel replacement Bp W	1.000	ST	WITHOUT SLOT FOR 5.033-829.0
20		Covering cap control panel complete BAT	1.000	ST	
30	5.035-344.0	Key yellow KIK	1.000	ST	
40	7.303-108.0	Screw 5x20 -10.9-R2R (In6Rd)	6.000	ST	
50	5.035-348.0	Key grey KIK	1.000	ST	
60	4.035-431.0	Cable harness control panel replacement	1.000	ST	
90	5.033-829.0	Rubber stopper control panel	1.000	ST	
99	5.035-337.0	Key red KIK	1.000	ST	
9000	4.035-064.0	Set key white KIK	1.000	ST	
9001	6.574-216.0	Ferrite core	1.000	ST	



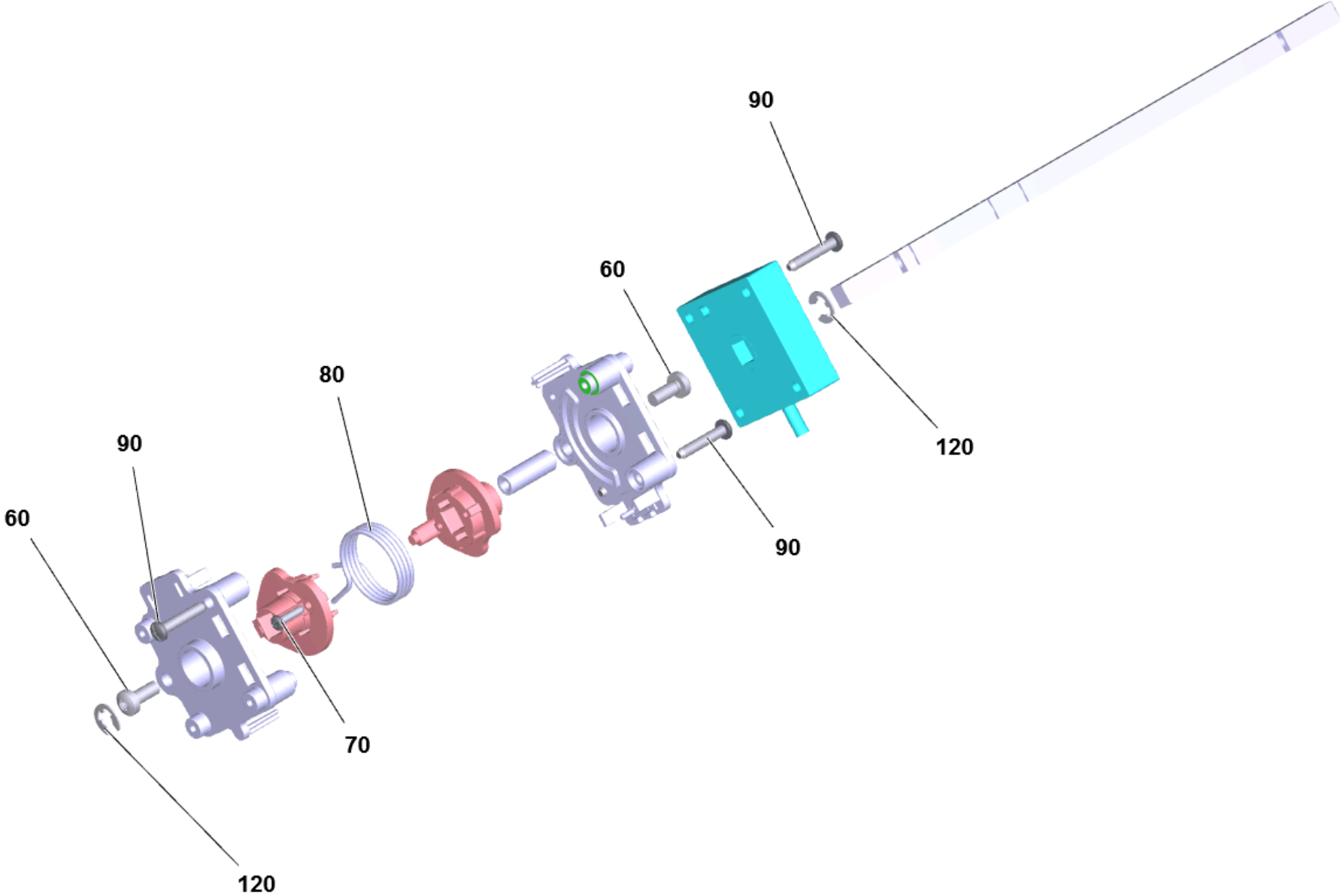
20 Covering cap control panel complete BAT

POS	Article no.	Description	Quantity	Unit	Foot note text
10	4.035-118.0	Covering cap control panel replacement B	1.000	ST	WITH SLOT FOR 5.033-829.0
10	4.035-413.0	Covering cap control panel foil Bp W	1.000	ST	WITHOUT SLOT FOR 5.033-829.0
20		Tachograph complete	1.000	ST	
30	4.683-311.3	Circuit board replacement W	1.000	ST	
40	5.321-738.0	Handhold operational concept	1.000	ST	
50	5.321-750.0	Handhold info panel	1.000	ST	
60	7.303-274.0	Screw 5x12 -A2-70 (In6Rd)	1.000	ST	
65	7.312-052.0	Washer 5 -A2 ISO 7089	1.000	ST	
70	5.035-343.0	Guide key	1.000	ST	
100	4.035-415.0	Switch program selection replacement	1.000	ST	
105	7.305-036.0	Countersunk screw M4x12 -A2-70-s (IN6RD	2.000	ST	
130	5.035-437.0	Rotary controller	1.000	ST	
150	6.649-933.0	Cable Patch	1.000	ST	
160	6.313-014.0	Spring element	1.000	ST	
170	6.388-958.0	Hose	1.000	M	TO ORDER AS CUT GOODS



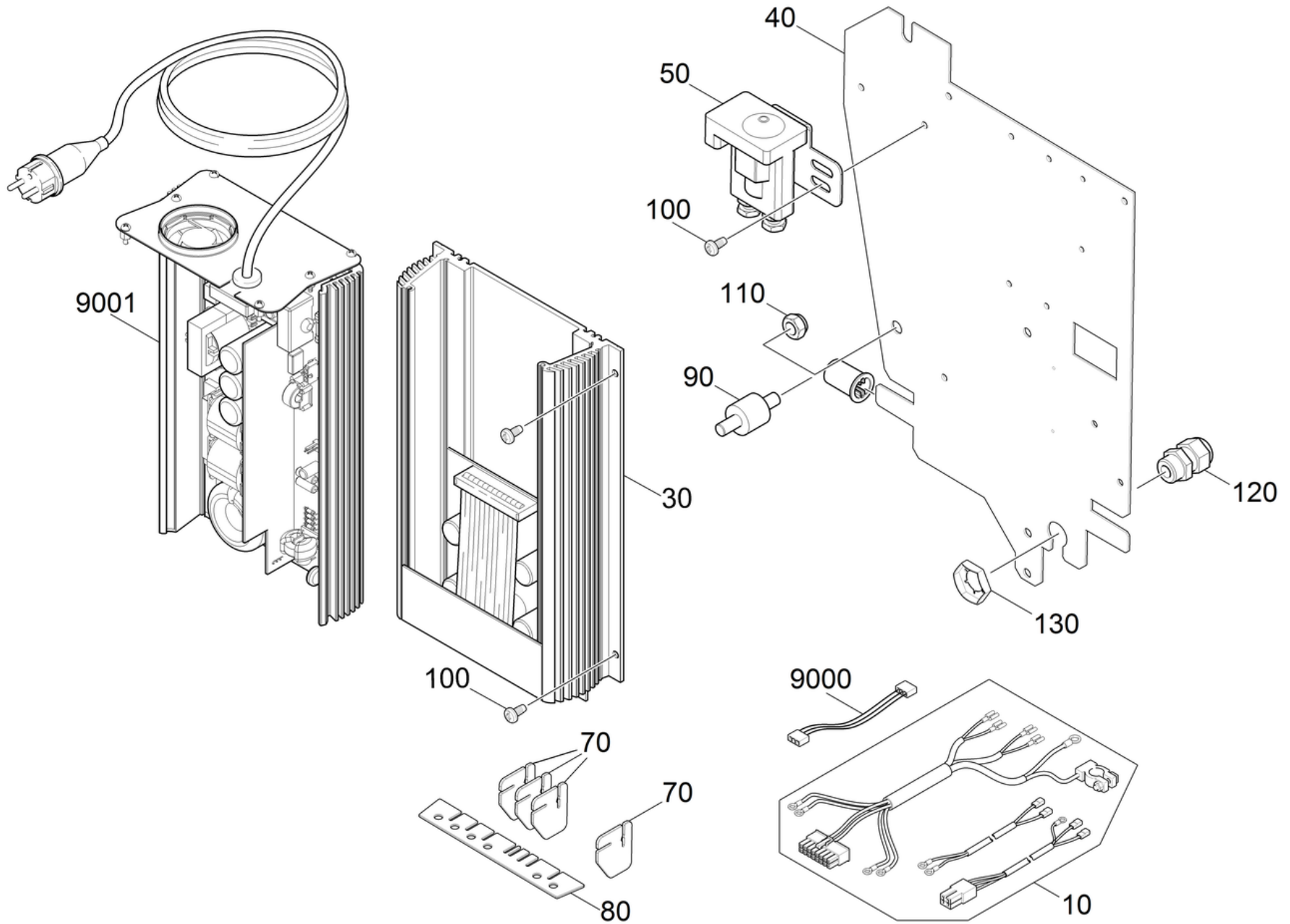
20 Tachograph complete

POS	Article no.	Description	Quantity	Unit
10	4.035-002.0	Tachograph set	1.000	ST
130	4.035-495.0	Tachograph right complete	1.000	ST
140	4.035-496.0	Tachograph left complete	1.000	ST



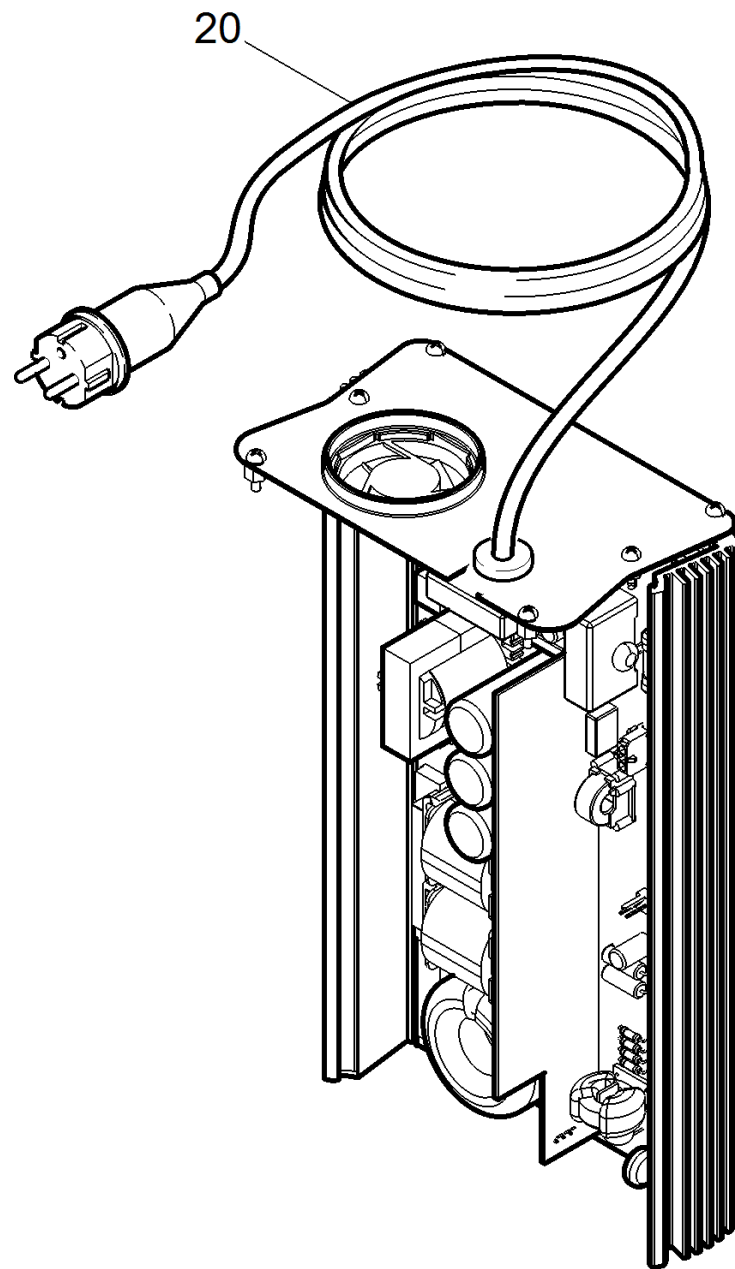
10 Tachograph set (4.035-002.0)

POS	Article no.	Description	Quantity	Unit
60	7.306-076.0	Screw M 5x12-ST- 8.8-A2R (IN6RD)	2.000	ST
70	7.303-092.0	Screw 3x12 -10.9-R2R (K-In6Rd)	2.000	ST
80	6.330-441.0	Torsion spring tachograph	1.000	ST
90	7.303-096.0	Screw 4x22 -ST-10.9-R2R (IN6RD)	4.000	ST
120	7.343-201.0	Lock washer 6-FST-PHR DIN 6799	2.000	ST



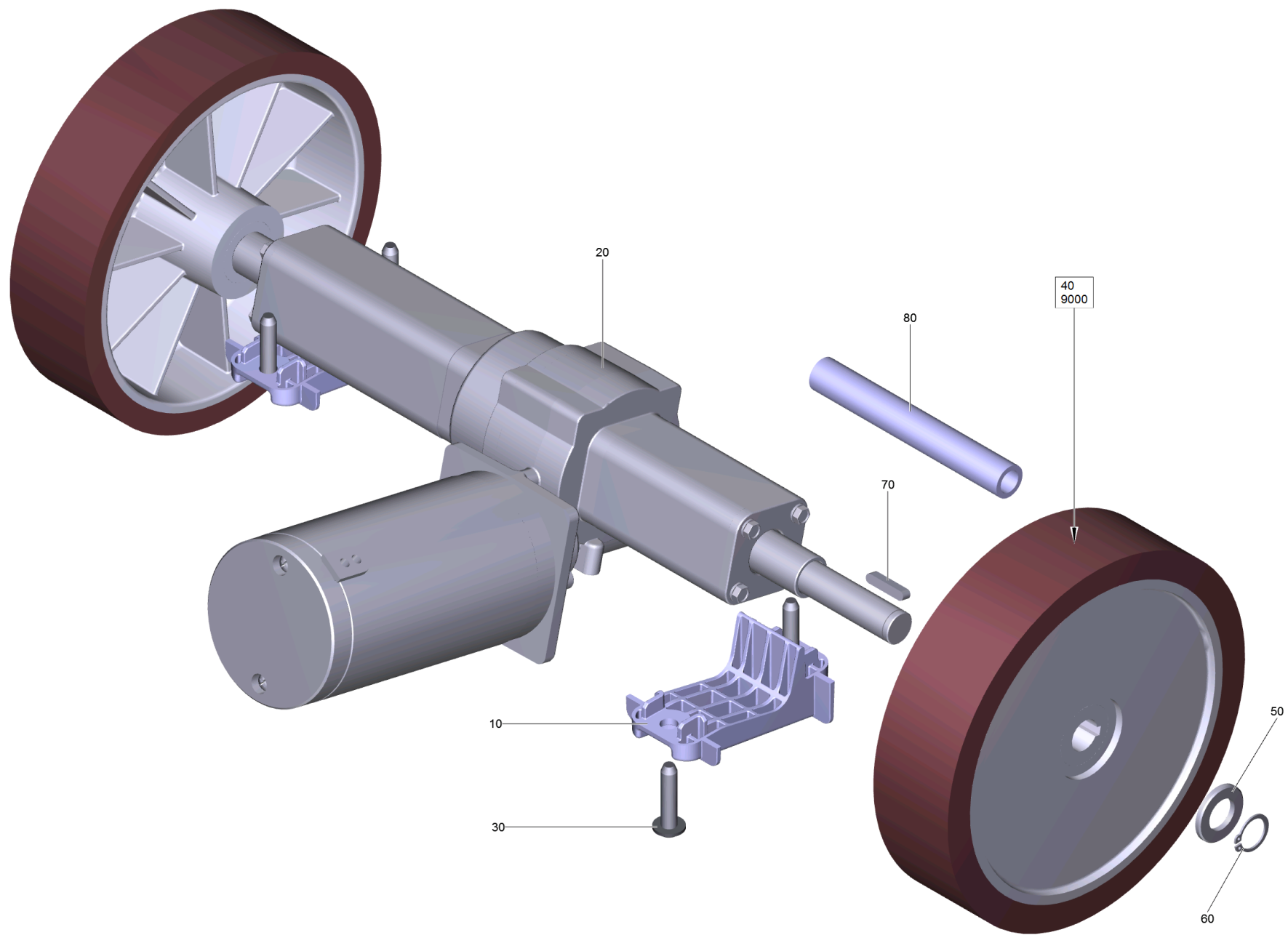
40 Electric equipment B40 W Bp Dose

POS	Article no.	Description	Quantity	Unit
10	4.822-900.0	Cable harness B40 W	1.000	ST
30	6.683-118.0	Electronics control system replacement B	1.000	ST
40	5.035-449.0	Plate base plate electronics	1.000	ST
50	6.633-389.0	Relay	1.000	ST
70	5.035-359.0	Moulded part plate electronics klein	4.000	ST
80	5.035-362.0	Moulded part plate electronics	1.000	ST
90	6.652-033.0	Isolator	1.000	ST
100	7.303-037.0	Screw M5x10 -St-P2R (In6Rd)	6.000	ST
110	7.311-427.0	Hexagon nut M8 -04-A2E ISO 10511	1.000	ST
120	6.648-399.0	Cable gland black M16x1,5	1.000	ST
130	7.311-046.0	Lock nut M16-A2 DIN 7967	1.000	ST
9000	6.645-554.0	Connecting cable control system battery	1.000	ST
9001	6.683-119.0	Battery charger replacement B40	1.000	ST
9001	6.654-337.0	Battery charger replacement B 40 Japan	1.000	ST



9001 Battery charger replacement B40 (6.683-119.0)

POS	Article no.	Description	Quantity	Unit
20	6.645-553.0	Cable with plug	1.000	ST



70 Gear complete B 40

POS	Article no.	Description	Quantity	Unit	Remark	Foot note text
10	5.035-351.0	Holder wheel drive motor	2.000	ST		
20	4.035-511.0	Wheel drive motor replacement	1.000	ST	/"CCL"	
20	4.035-416.0	Wheel drive motor replacement	1.000	ST	/"AMER"	
30	6.303-315.0	Screw 8 x 35	4.000	ST		
40	6.035-055.0	Wheel transmission conductive D200x50	2.000	ST		CHANGE BOTH WHEELS!
50	7.312-057.0	Washer 16 -A2 ISO 7090	2.000	ST		
60	7.343-029.0	Locking ring 17x1-FST-RF DIN 471	2.000	ST		
70	7.318-079.0	Parallel key A 5x5x25-C45R DIN 6885	2.000	ST		
80	6.642-011.0	Insulating hose 10	1.000	M		TO ORDER AS CUT GOODS
9000	6.035-014.0	Wheel transmission 200x50	2.000	ST		

20 Wheel drive motor replacement (4.035-416.0)

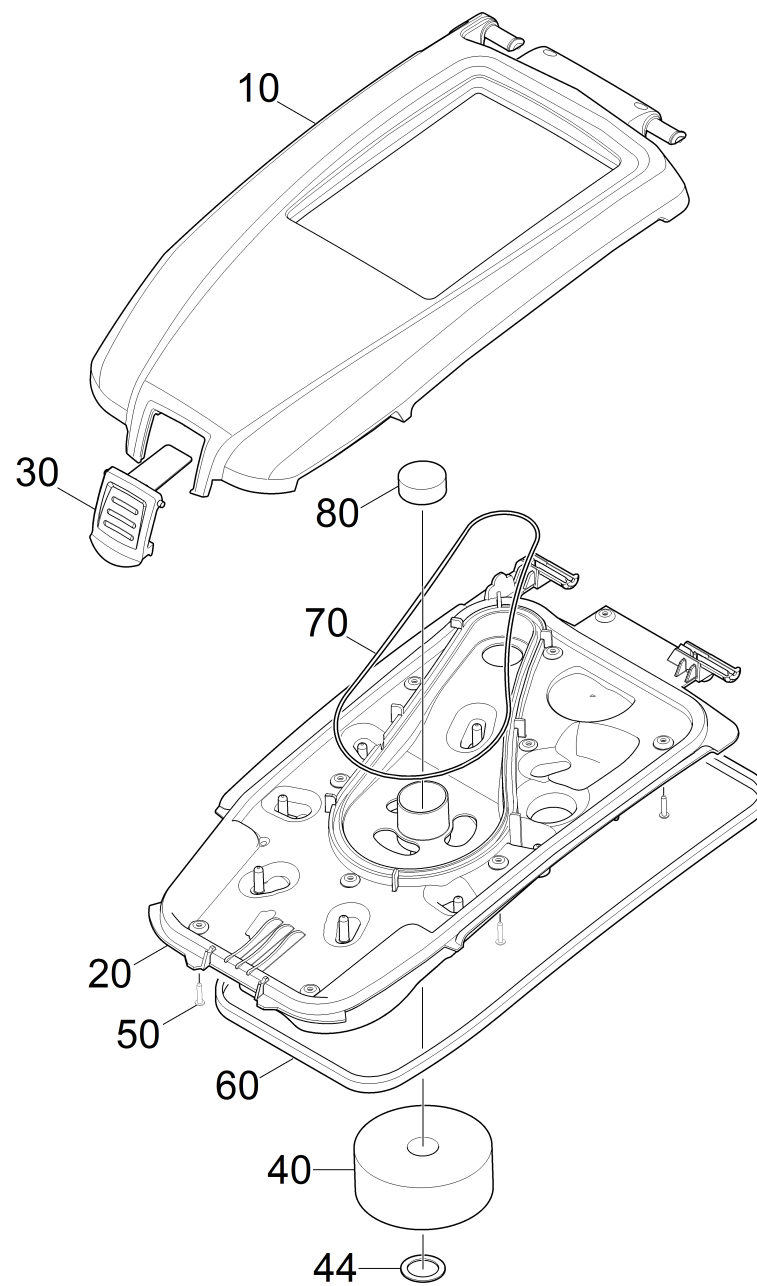
POS	Article no.	Description	Quantity	Unit
10	6.610-330.0	Set carbon brushes for replacement	1.000	ST

20 Wheel drive motor replacement (4.035-511.0)

POS	Article no.	Description	Quantity	Unit
9010	6.490-069.0	Carbon brush set	1.000	ST

330 Cover complete (4.035-334.0)

POS	Description	Quantity	Unit
10	Cover complete	1.000	ST



10 Cover complete

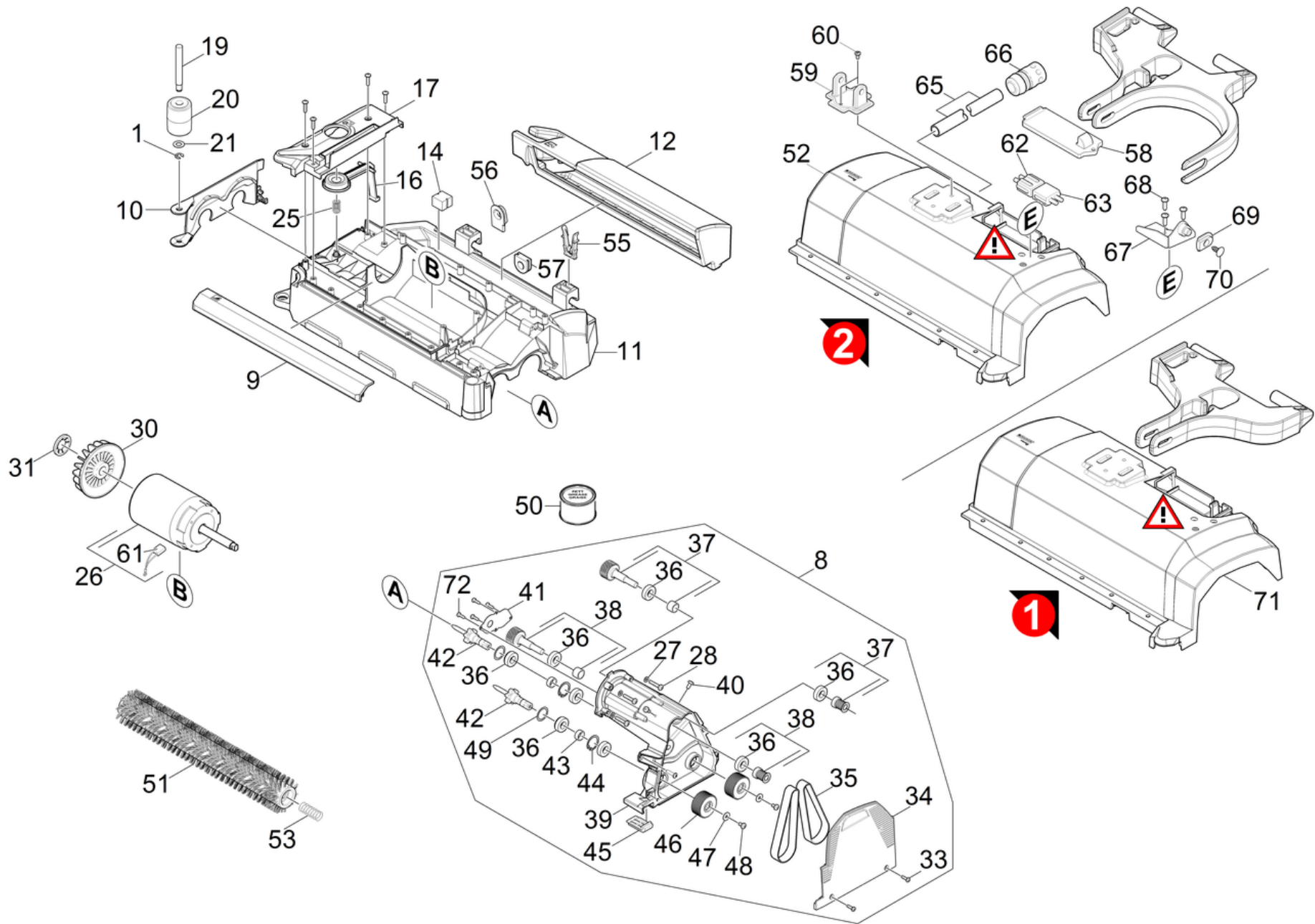
POS	Article no.	Description	Quantity	Unit
10	5.035-367.0	Cover top part B40	1.000	ST
20	5.036-065.0	Cover bottom part foamed B40	1.000	ST
30	5.035-381.0	Cover locking part	1.000	ST
40	5.585-059.0	Float	1.000	ST
44	5.035-834.0	Washer D40	1.000	ST
50	6.303-200.0	Screw 5x25-IN6RD	12.000	ST
60	6.366-058.0	Sealing profile	1.000	M
70	6.273-196.0	Seal string cellular rubber	1.000	M
80	5.032-664.0	Plug vacuum channel	1.000	ST

331 Brush-head R 55 W (2.763-011.0)

POS	Description	Quantity	Unit
10	Brush-head R55 W	1.000	ST

10 Brush-head R55 W

POS	Description	Quantity	Unit
10	Power brush counter rotation BR	1.000	ST
20	Roll pad	1.000	ST



10 Power brush counter rotation BR

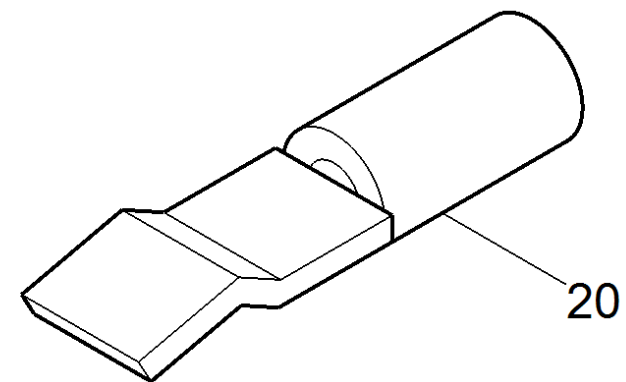
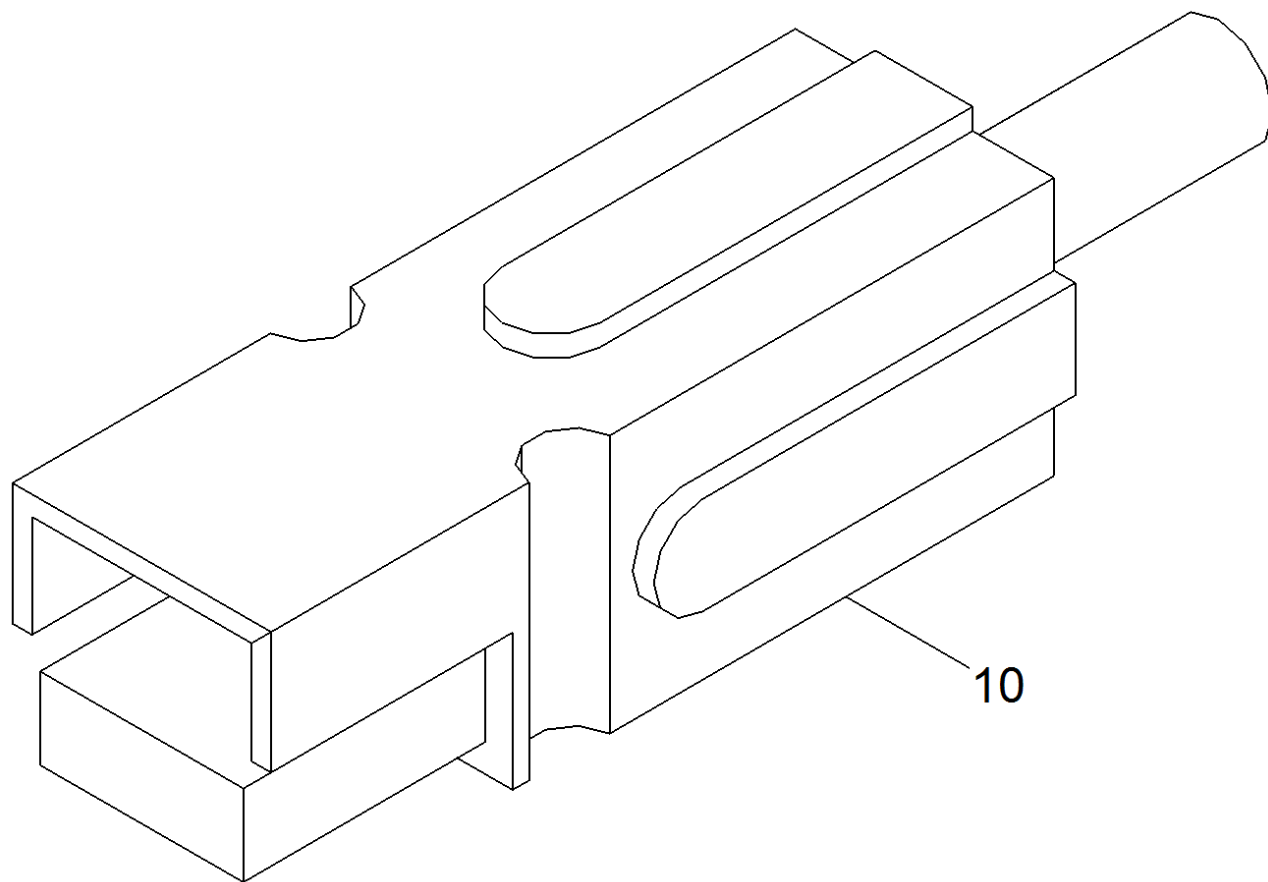
POS	Article no.	Description	Quantity	Unit	Remark	Foot note text
1	7.343-300.0	Lock washer 7-A2 DIN 6799	1.000	ST		
8	4.035-004.0	Gear complete counter rotation	1.000	ST		
9	5.035-403.0	Strip water distributor R 55	1.000	ST		
10	5.035-393.0	Brushes retainer	1.000	ST		
11	5.035-389.0	Housing bottom part R 55	1.000	ST		
12	5.035-399.0	Sweep tank R 55	1.000	ST		
14	5.035-447.0	Plug	1.000	ST		
16	5.035-458.0	Brushes locking part	1.000	ST		
17	5.035-405.0	Housing top part locking part	1.000	ST		
18	7.303-113.0	Screw 6x25 -10.9-R2R (In6Rd)	8.000	ST		
19	5.035-394.0	Bolt deflector roll	1.000	ST		
20	5.035-395.0	Deflector roll	1.000	ST		
21	7.312-066.0	Washer 10 -A2 ISO 7090	1.000	ST		
25	6.330-450.0	Pressure spring	1.000	ST		
26	4.035-428.0	Direct current motor replacement	1.000	ST	24 V	
27	7.312-026.0	Washer 6 -A2 ISO 7090	4.000	ST		
28	7.306-196.0	Screw M 6x30-A2-70 (IN6RD)	4.000	ST		
30	6.613-025.0	Blower wheel	1.000	ST		
31	6.343-149.0	Quick-fastener	1.000	ST		
33	7.303-039.0	Screw M5x16 -St-A2R (In6Rd)	2.000	ST		
34	5.035-385.0	Cover gear	1.000	ST		
35	4.035-005.0	Toothed belt replacement	2.000	ST		
36	7.401-115.0	Ball bearing 6002-2RS -WAE LZLAGST DIN 62	6.000	ST		
37	4.035-380.0	Shaft gear left	1.000	ST		
38	4.035-381.0	Shaft gear right	1.000	ST		
39	5.035-384.0	Carrier motor worked R	1.000	ST		
40	7.306-089.0	Screw M6x12 -8.8-R2R (In6Rd)	1.000	ST		
41	5.035-684.0	Covering cap gear	1.000	ST		
42	5.101-104.0	Driveshaft	2.000	ST		
43	5.110-686.0	Spacer sleeve	2.000	ST		
44	7.343-231.0	Locking ring 32x1,2 -St-ph DIN 472	2.000	ST		
45	5.056-010.0	Rocker BR-VS	1.000	ST		

10 Power brush counter rotation BR

POS	Article no.	Description	Quantity	Unit	Remark	Foot note text
46	5.625-507.0	Belt pulley 56Z	2.000	ST		
47	7.312-276.0	Washer 6 -200HV-A2E ISO7093-1	2.000	ST		
48	6.304-180.0	Screw M6X12-A2/70-ISO7045 (IN6RD)	2.000	ST		
49	6.363-469.0	Joint ring stainless steel Nilos 6002	2.000	ST		
51	4.762-412.0	Roller brush complete black BR 55/40	2.000	ST		
51	4.762-411.0	Roller brush complete green BR 55/40	2.000	ST		
51	4.762-393.0	Roller brush complete red BR 55/40	2.000	ST		
51	4.762-409.0	Roller brush complete white BR 55/40	2.000	ST		
51	4.762-410.0	Roller brush complete orange BR 55/40	2.000	ST		
52	5.035-390.0	Housing top part R 55	1.000	ST		
53	5.332-114.0	Helical spring	1.000	ST		
55	5.035-424.0	Snap-fit	2.000	ST		
56	5.035-448.0	Wire protecting sleeve	1.000	ST		
57	6.648-064.0	Cable bushing	1.000	ST		
58	5.035-386.0	Cover electric box	1.000	ST		
59	5.035-604.0	Suspension seal brush-head BD	1.000	ST		
60	7.303-038.0	Screw M5x12 -St-P2R (In6Rd)	2.000	ST		
61	6.610-239.0	Carbon brush set ATAS	1.000	ST		
62	6.646-034.0	Set plug complete rot, 75A , Q-6mm ²	1.000	ST		
63	6.646-033.0	Set plug complete blau , 75A , Q-6mm ²	1.000	ST		
65	6.390-892.0	Spiral hose NW12	1.000	M		
66	4.645-332.0	HOSE CONNECTOR 1/2" / 5/8" OPP	1.000	ST		
67	5.035-782.0	Suspension brush-head R	1.000	ST		VERSION 2
68	7.303-112.0	Screw 6x20 -10.9-R2R (In6Rd)	3.000	ST		VERSION 2
69	5.035-673.0	Sliding shoe	1.000	ST		VERSION 2
70	6.343-261.0	Quick-fastener	1.000	ST		VERSION 2
71	2.882-737.0	Conversion kit R55-Kopf B40	1.000	ST	R55	VERSION 1
72	7.303-038.0	Screw M5x12 -St-P2R (In6Rd)	4.000	ST		

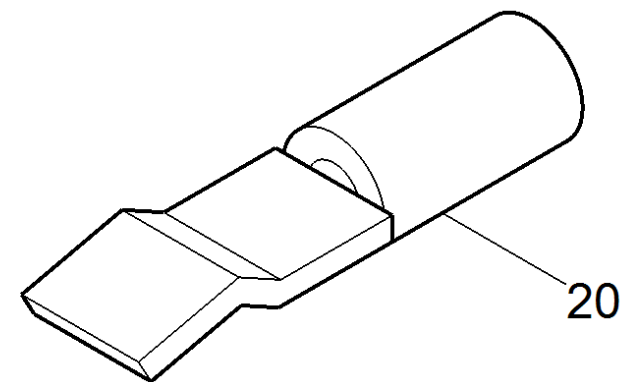
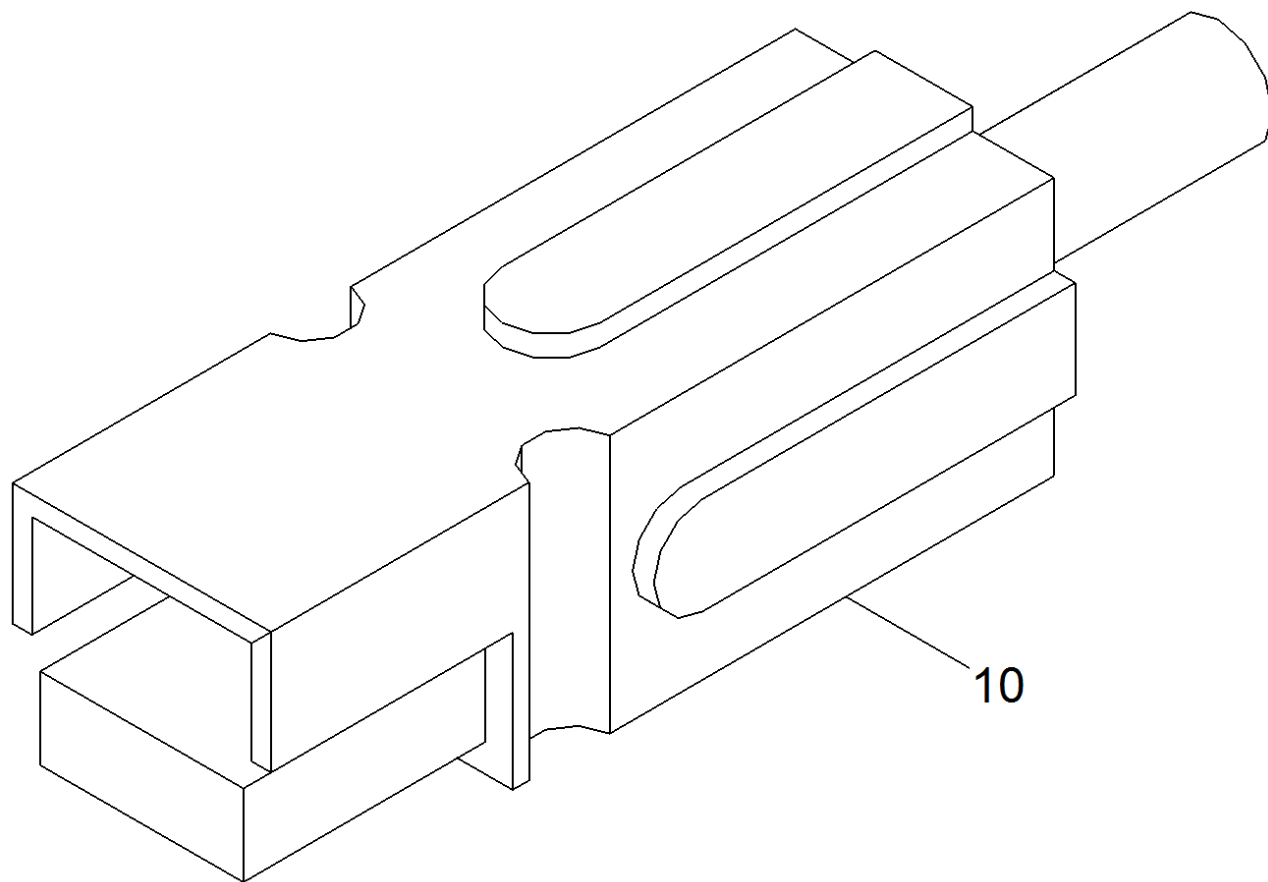
8 Gear complete counter rotation (4.035-004.0)

POS	Article no.	Description	Quantity	Unit
10	5.035-384.0	Carrier motor worked R	1.000	ST
20	7.401-115.0	Ball bearing 6002-2RS -WAEZLAGST DIN 62	4.000	ST
30	6.363-469.0	Joint ring stainless steel Nilos 6002	2.000	ST
40	7.343-231.0	Locking ring 32x1,2 -St-ph DIN 472	2.000	ST
50	5.056-010.0	Rocker BR-VS	1.000	ST
60	5.100-650.0	Driveshaft	2.000	ST
70	5.625-507.0	Belt pulley 56Z	2.000	ST
80	5.110-686.0	Spacer sleeve	2.000	ST
90	7.312-276.0	Washer 6 -200HV-A2E ISO7093-1	2.000	ST
100	6.304-180.0	Screw M6X12-A2/70-ISO7045 (IN6RD)	2.000	ST
120	4.035-381.0	Shaft gear right	1.000	ST
130	7.306-089.0	Screw M6x12 -8.8-R2R (In6Rd)	2.000	ST
140	4.035-380.0	Shaft gear left	1.000	ST
150	4.035-005.0	Toothed belt replacement	2.000	ST
160	5.035-385.0	Cover gear	1.000	ST
170	7.303-039.0	Screw M5x16 -St-A2R (In6Rd)	2.000	ST
180	5.035-684.0	Covering cap gear	1.000	ST
190	7.312-026.0	Washer 6 -A2 ISO 7090	4.000	ST
195	7.313-003.0	Spring washer B 6-FSt-A3E DIN 127	4.000	ST
200	7.306-196.0	Screw M 6x30-A2-70 (IN6RD)	4.000	ST
220	6.288-095.0	Viscous oil	1.000	ST
230	7.303-038.0	Screw M5x12 -St-P2R (In6Rd)	4.000	ST



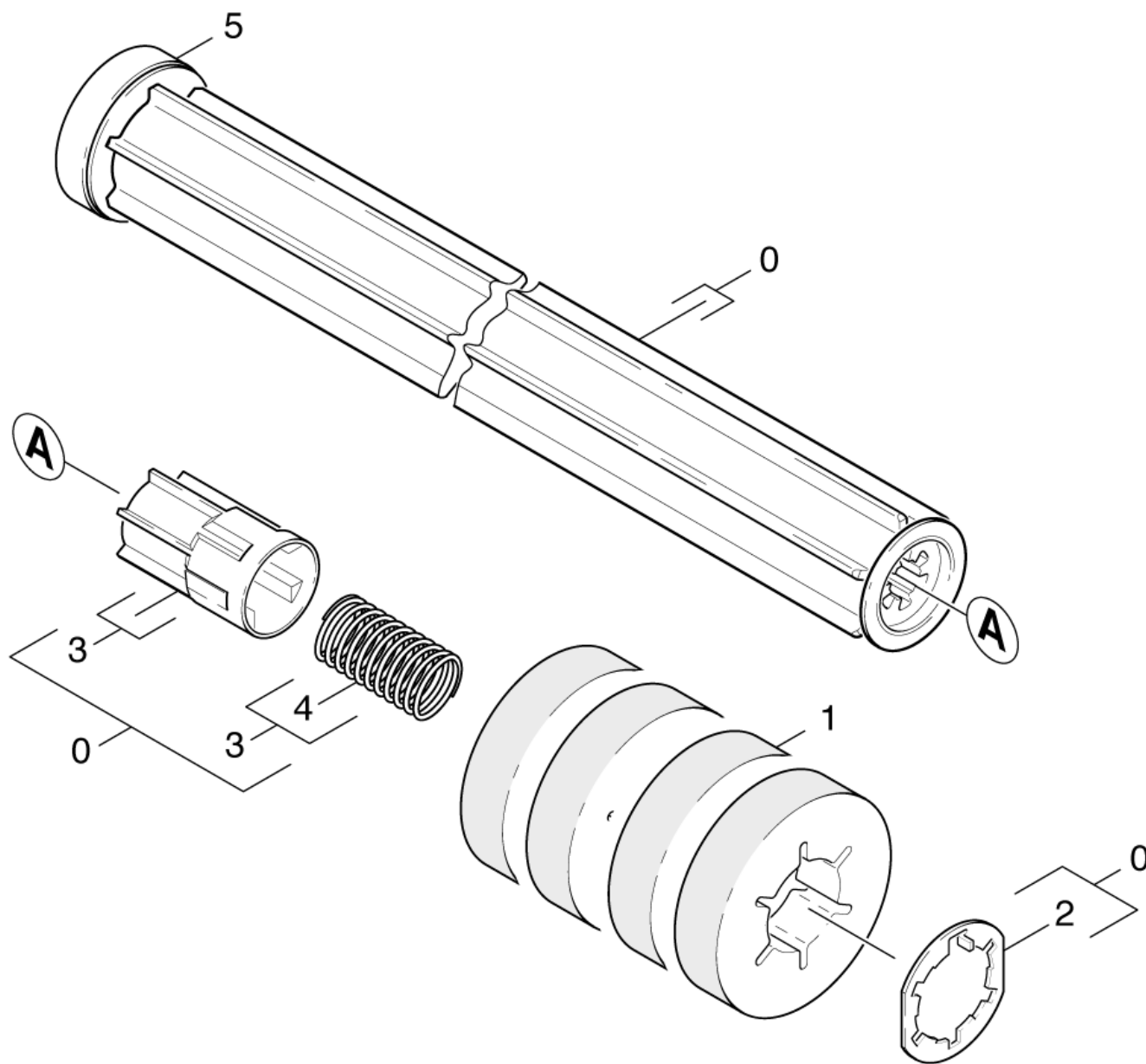
62 Set plug complete rot, 75A , Q-6mm² (6.646-034.0)

POS	Article no.	Description	Quantity	Unit
10	6.643-043.0	Plug housing red 75 A	1.000	ST
20	6.646-979.0	Switch contact 6 mm ²	1.000	ST



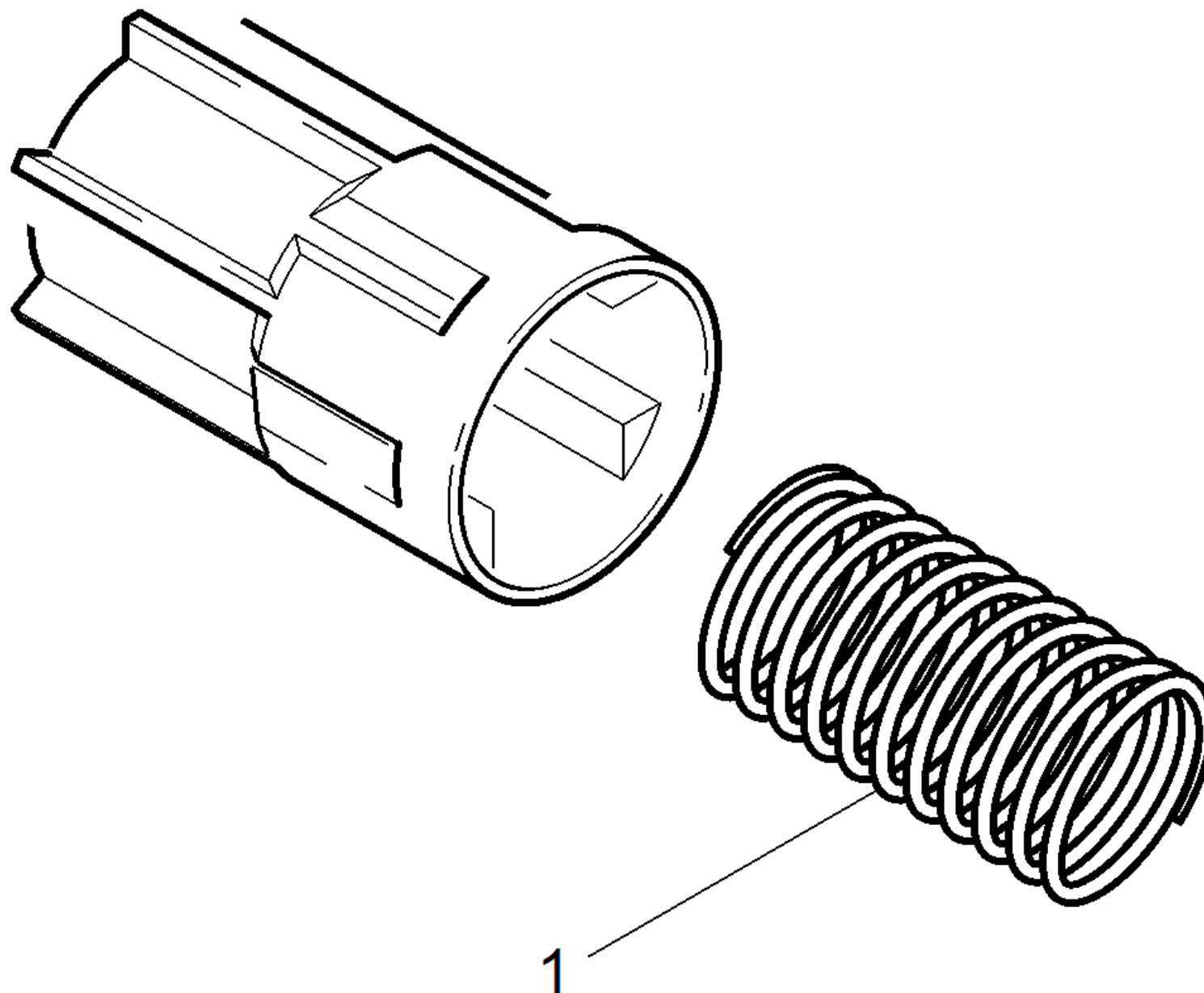
63 Set plug complete blau , 75A , Q-6mm² (6.646-033.0)

POS	Article no.	Description	Quantity	Unit
10	6.649-610.0	Plug housing blue 75 A	1.000	ST
20	6.646-979.0	Switch contact 6 mm ²	1.000	ST



20 Roll pad

POS	Article no.	Description	Quantity	Unit
0	4.762-415.0	Roll Pad BR55	1.000	ST
1	8.635-692.0	ROLLER, STRIPPING, 22" CYLINDRICAL	1.000	ST
1	6.369-734.0	Pad red with sleeve	1.000	ZSA
1	6.369-735.0	Pad white with sleeve	1.000	ZSA
1	4.114-010.0	Microfibre roll complete BR 55/40	1.000	ST
1	6.369-732.0	Pad yellow with sleeve	1.000	ZSA
1	6.369-733.0	Pad green with sleeve	1.000	ZSA
2	4.115-003.0	Washer closure	1.000	ST
3	5.120-313.0	Hub pad roll BR VS	1.000	ST
4	5.332-469.0	Helical spring	1.000	ST
5	4.038-677.0	Sheet metal component thread deflector	1.000	ST

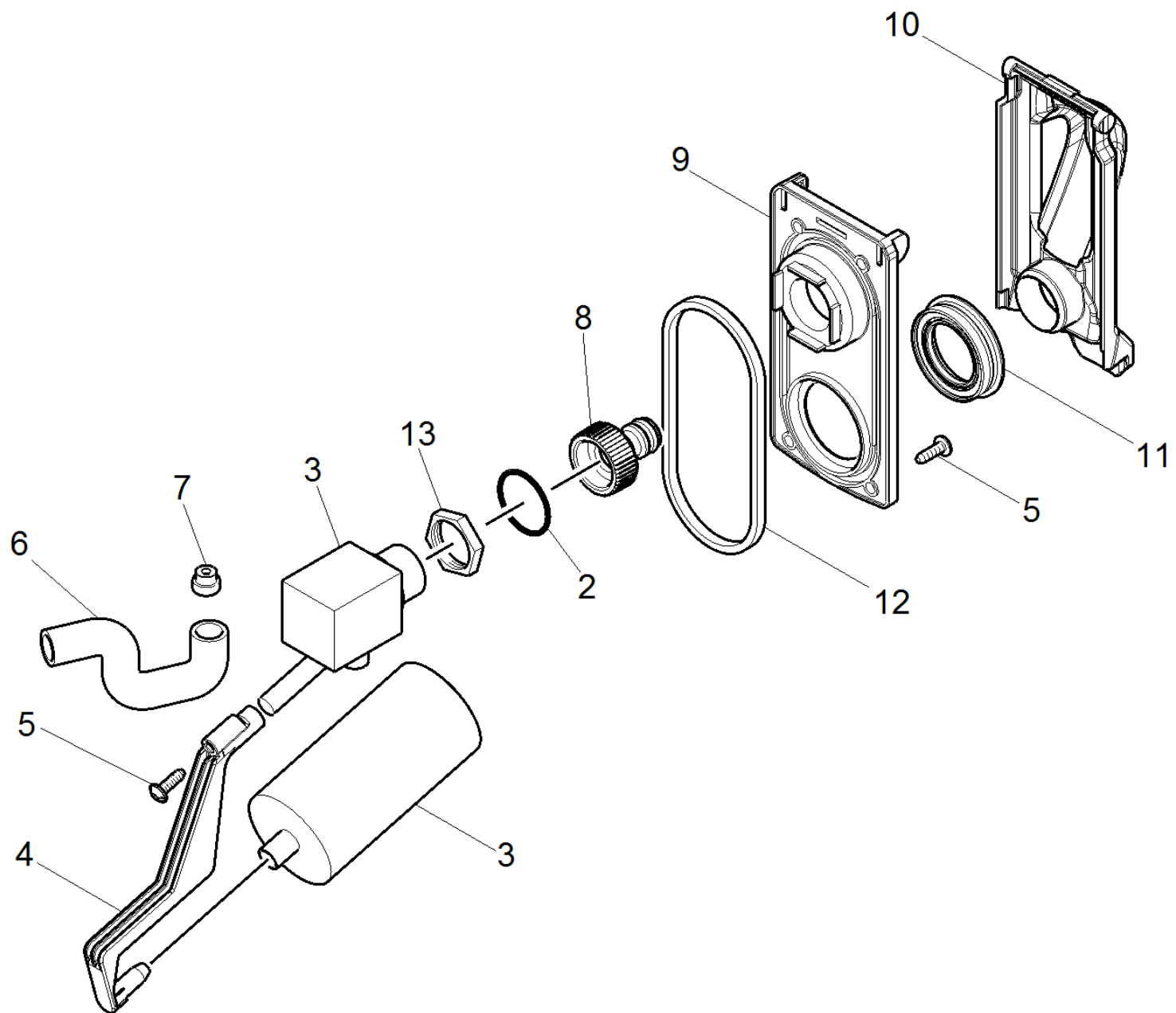


3 Hub pad roll BR VS (5.120-313.0)

POS	Article no.	Description	Quantity	Unit
1	5.332-469.0	Helical spring	1.000	ST

332 Auto-Fill-In (4.035-345.0)

POS	Description	Quantity	Unit
10	Filling system	1.000	ST



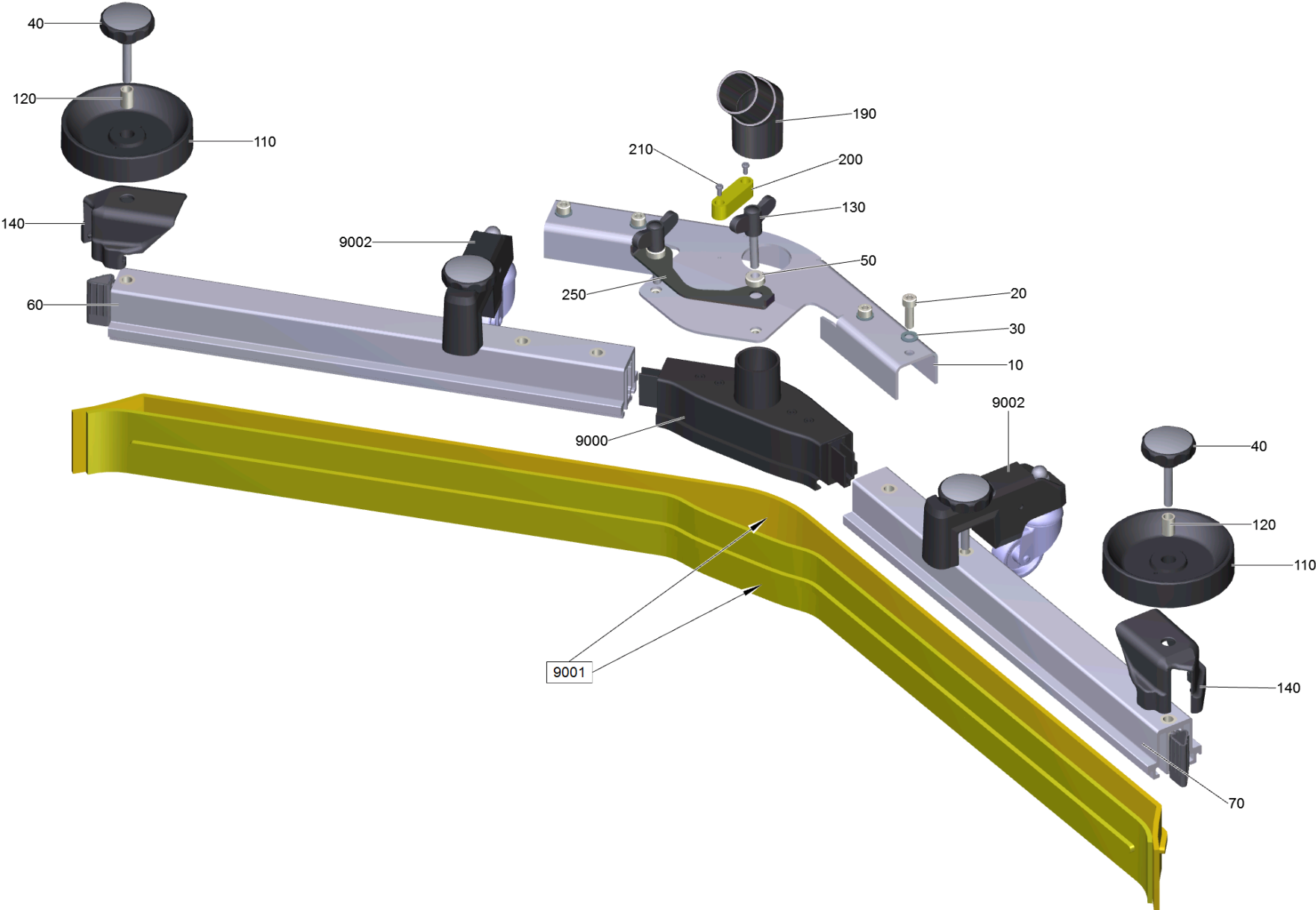
10 Filling system

POS	Article no.	Description	Quantity	Unit
2	6.363-631.0	O-Ring seal 17x4	1.000	ST
3	6.632-439.0	Float regulator Befuellsystem	1.000	ST
4	5.035-421.0	Extension float	1.000	ST
5	7.303-107.0	Screw 5x16 -10.9-P2R (K-In6Rd)	6.000	ST
6	5.035-666.0	Form hose	1.000	ST
7	5.035-665.0	Sleeve	1.000	ST
8	6.465-031.0	Connection 3/4	1.000	ST
9	5.035-417.0	Fixing plate float	1.000	ST
10	5.035-419.0	Cover float	1.000	ST
11	5.035-420.0	Joint ring cover float	1.000	ST
12	5.035-418.0	Seal fixing plate	1.000	ST
13	5.311-096.0	Hexagon nut 3/4"	1.000	ST

334 Suction bar v-shaped 900mm (4.777-079.0)

POS	Description	Quantity	Unit
10	Suction bar v-shaped 900 mm	1.000	ST

10 Suction bar v-shaped 900 mm



10 Suction bar v-shaped 900 mm

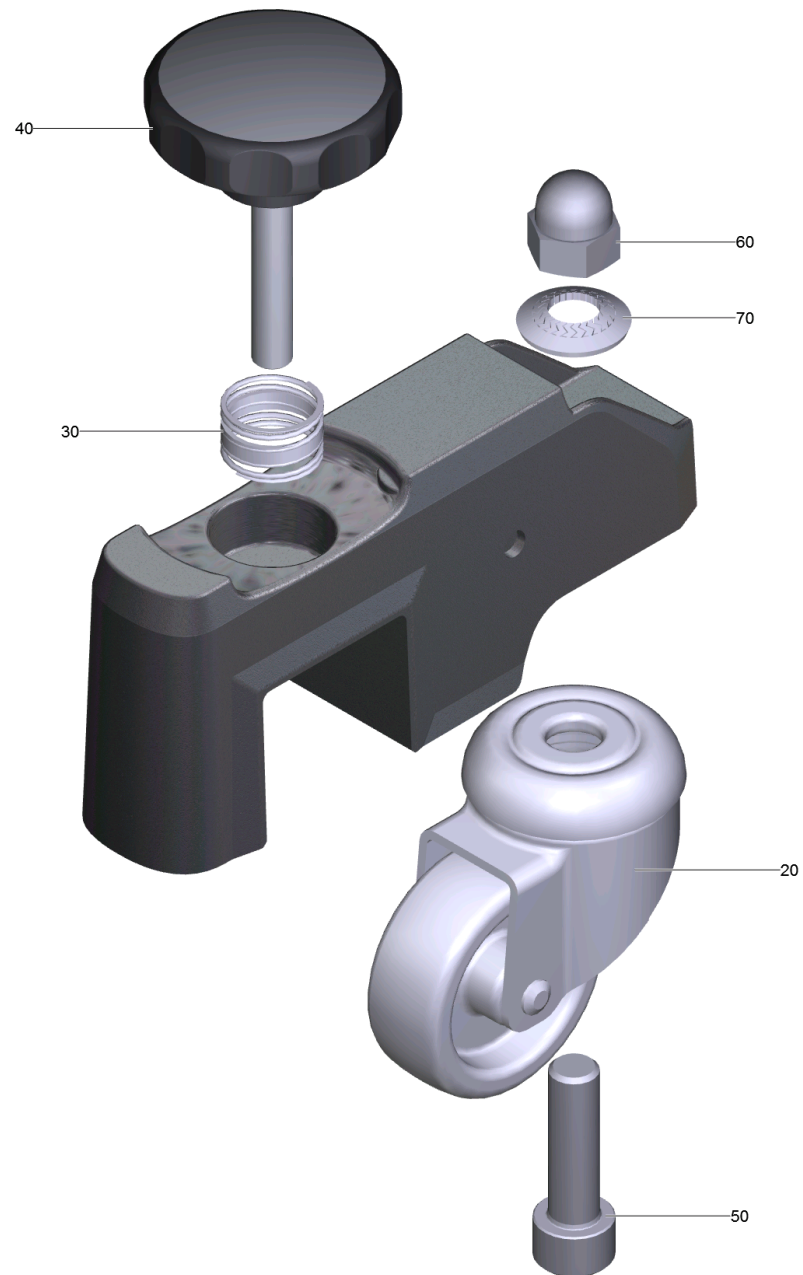
POS	Article no.	Description	Quantity	Unit
10	4.044-003.0	Holder complete V-profile	1.000	ST
20	7.306-142.0	Cylinder head screw M 8x25-A4-70 ISO 47	4.000	ST
30	7.312-017.0	Washer 8-A2 ISO 7089	4.000	ST
40	6.321-243.0	Star grip stainless steel D50x48	2.000	ST
50	5.112-810.0	Sleeve VA	2.000	ST
60		Profile pre-assembled right AB 900 mm	1.000	ST
70		Profile pre-assembled left AB 900 mm	1.000	ST
110	5.515-346.0	Deflector roll suction bar D120	2.000	ST
120	5.094-231.0	Sleeve suction bar in VA	2.000	ST
130	5.305-296.0	Wing screw M8x40 VA	2.000	ST
140	2.885-294.0	End piece left / right spare parts set	1.000	ST
190	5.034-056.0	Angle adapter pipe	1.000	ST
200	8.600-991.0	Tilt indicator	1.000	ST
210	7.306-056.0	Screw M4x8 -8.8-R2R (In6Rd)	2.000	ST
250	5.036-102.0	Sheet metal bracket suction bar	1.000	ST
9000	4.034-007.0	Suction nipple complete	1.000	ST
9001	6.273-023.0	Rubber lip set corrugated oil resistant	1.000	ST
9002	4.035-171.0	Support roller complete replacement	2.000	ST

60 Profile pre-assembled right AB 900 mm

POS	Article no.	Description	Quantity	Unit
20	5.033-579.0	End piece inside right	1.000	ST

70 Profile pre-assembled left AB 900 mm

POS	Article no.	Description	Quantity	Unit
20	5.033-578.0	End piece inside left	1.000	ST



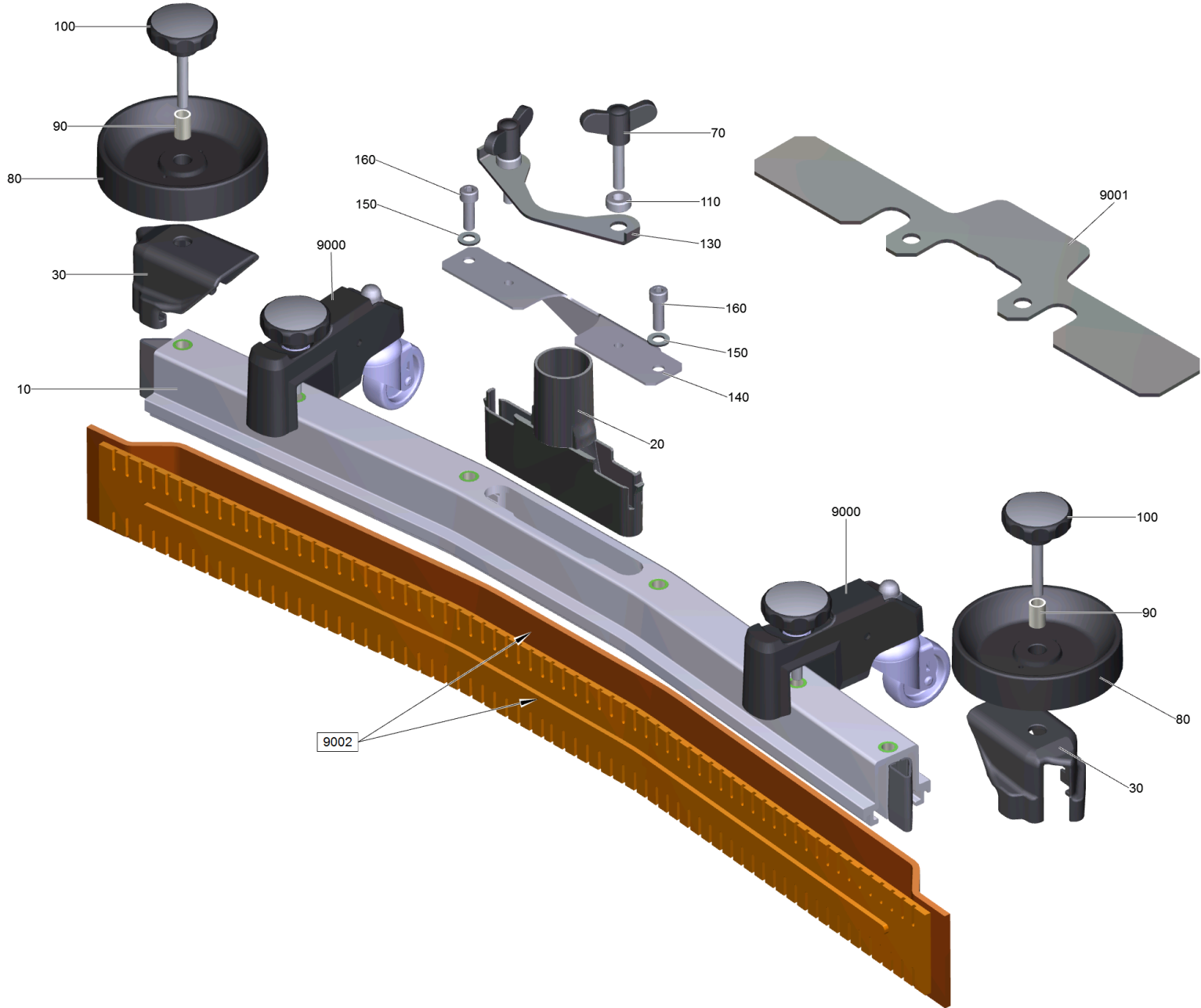
9002 Support roller complete replacement (4.035-171.0)

POS	Article no.	Description	Quantity	Unit
20	6.435-086.0	Castor	1.000	ST
30	5.332-554.0	Pressure spring	1.000	ST
40	6.321-240.0	Star grip with inscription VA Ø50x43	1.000	ST
50	7.306-074.0	Cylinder head screw M10x35-8.8-A3E ISO4	1.000	ST
60	7.311-382.0	Cap nut M10-6-A3E DIN 1587	1.000	ST
70	6.996-526.0	Serrated locking washer d.10	1.000	ST

334 Suction bar curved 850mm (4.777-411.0)

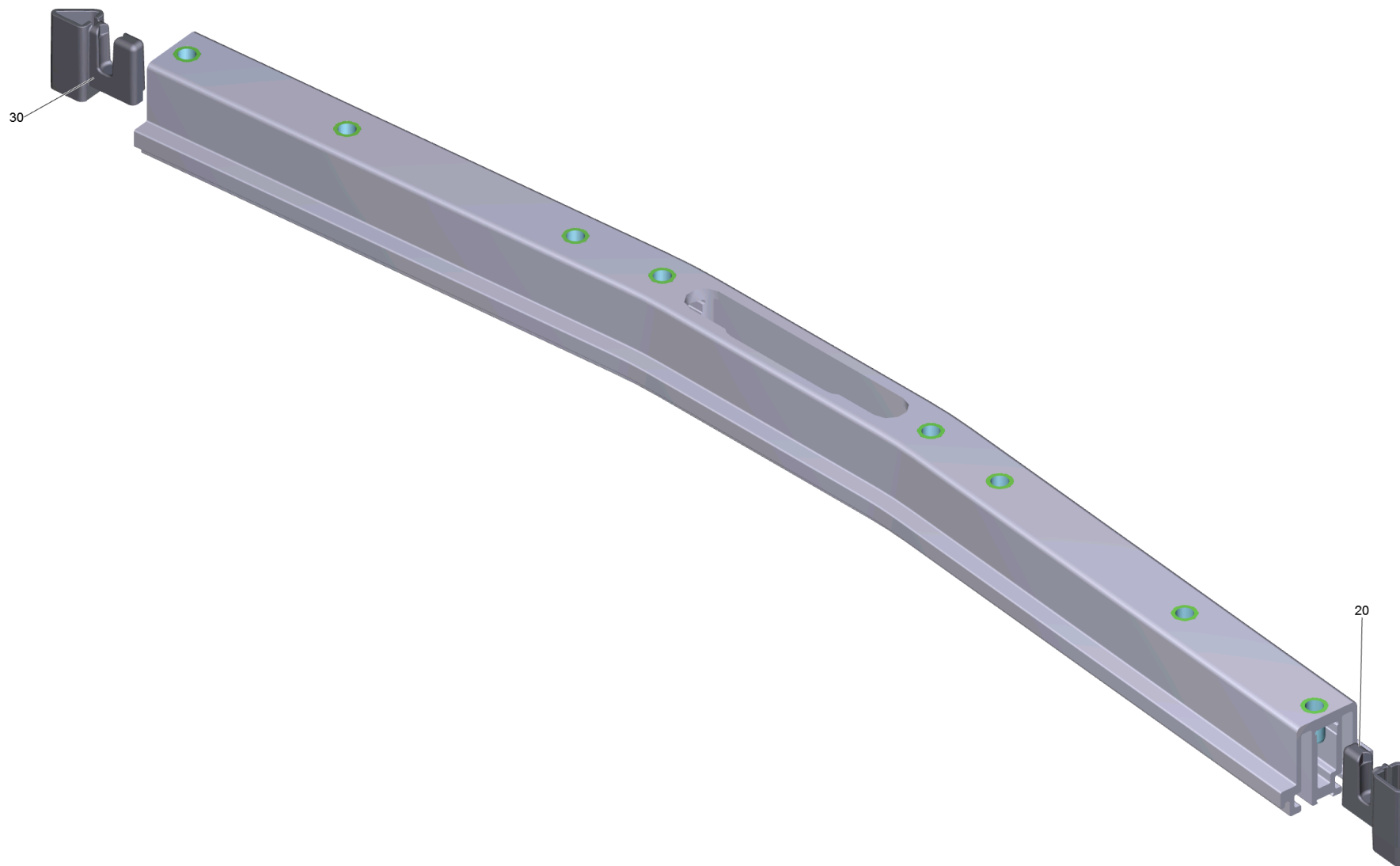
POS	Article no.	Description	Quantity	Unit
600	5.971-728.0	Spare parts list suction bar curved 850m	1.000	ST

600 Spare parts list suction bar curved 850m (5.971-728.0)



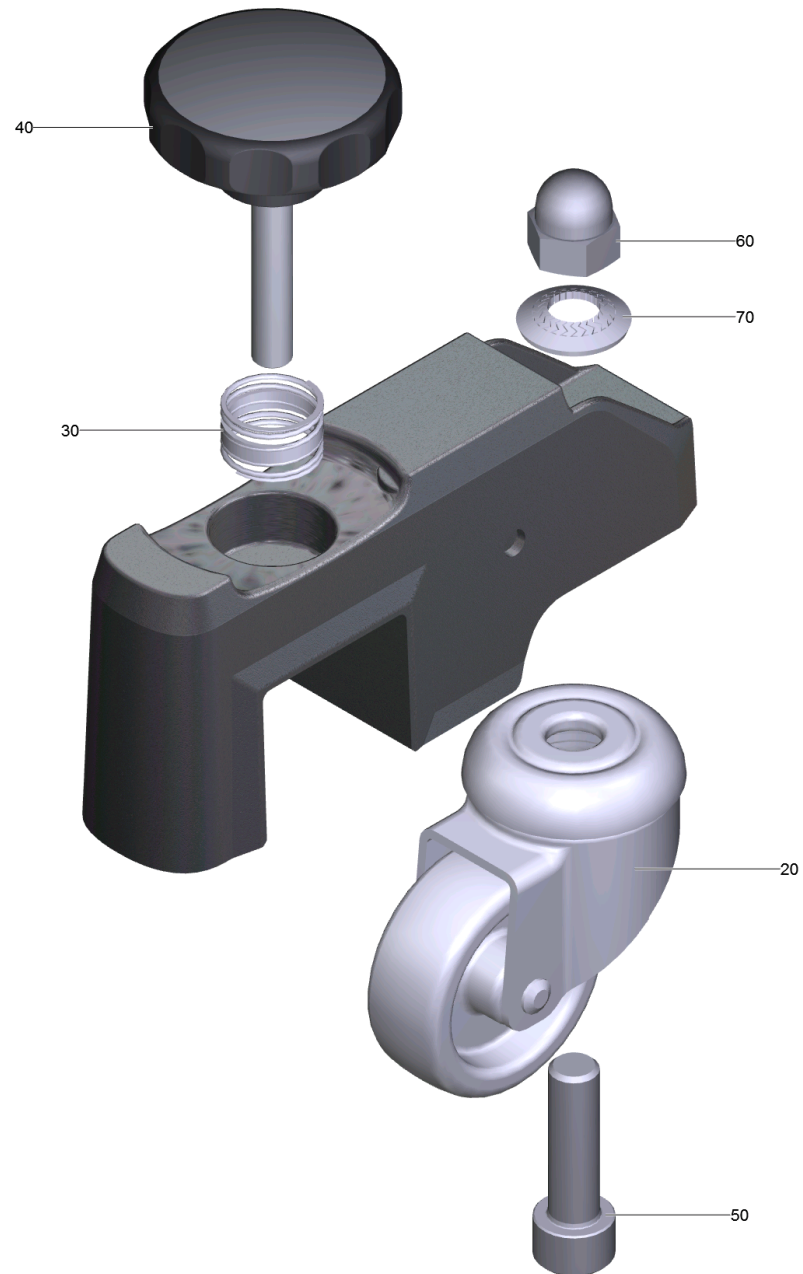
600 Spare parts list suction bar curved 850m (5.971-728.0)

POS	Article no.	Description	Quantity	Unit	Foot note text
10		Suction bar pre-assembled curved 850mm	1.000	ST	
20	5.033-601.0	Suction nipple	1.000	ST	
30	2.885-294.0	End piece left / right spare parts set	1.000	ST	
70	5.305-296.0	Wing screw M8x40 VA	2.000	ST	
80	5.515-346.0	Deflector roll suction bar D120	2.000	ST	
90	5.094-231.0	Sleeve suction bar in VA	2.000	ST	
100	6.321-243.0	Star grip stainless steel D50x48	2.000	ST	
110	5.112-810.0	Sleeve VA	2.000	ST	
130	5.036-102.0	Sheet metal bracket suction bar	1.000	ST	
140	5.100-559.0	Suction bar support plate	1.000	ST	
150	7.312-017.0	Washer 8-A2 ISO 7089	2.000	ST	
160	7.306-142.0	Cylinder head screw M 8x25-A4-70 ISO 47	2.000	ST	
9000	4.035-339.0	Roller suction bar	2.000	ST	VERSION 1
9000	4.035-171.0	Support roller complete replacement	2.000	ST	VERSION 2
9001	5.128-339.0	Additional weight suction bar	1.000	ST	
9002	6.273-290.0	BLADES FOR TEXTURED FLOORS	1.000	ST	
9002	6.273-207.0	Rubber lip set oil resistant BR-BD530,55	1.000	ZSA	
9002	6.273-229.0	Rubber lip set anti stripe oil resistant	1.000	ST	



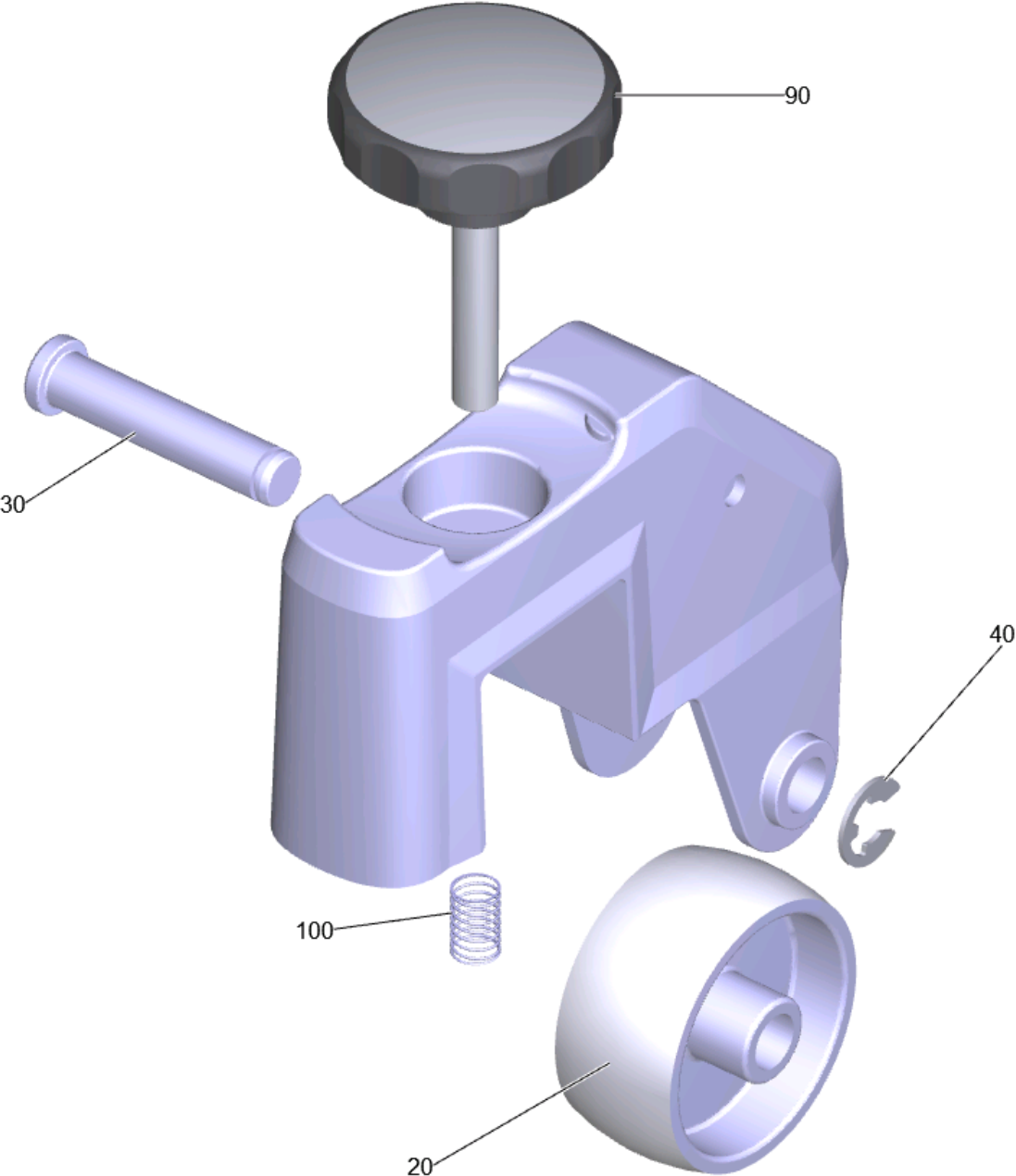
10 Suction bar pre-assembled curved 850mm

POS	Article no.	Description	Quantity	Unit
20	5.033-578.0	End piece inside left	1.000	ST
30	5.033-579.0	End piece inside right	1.000	ST



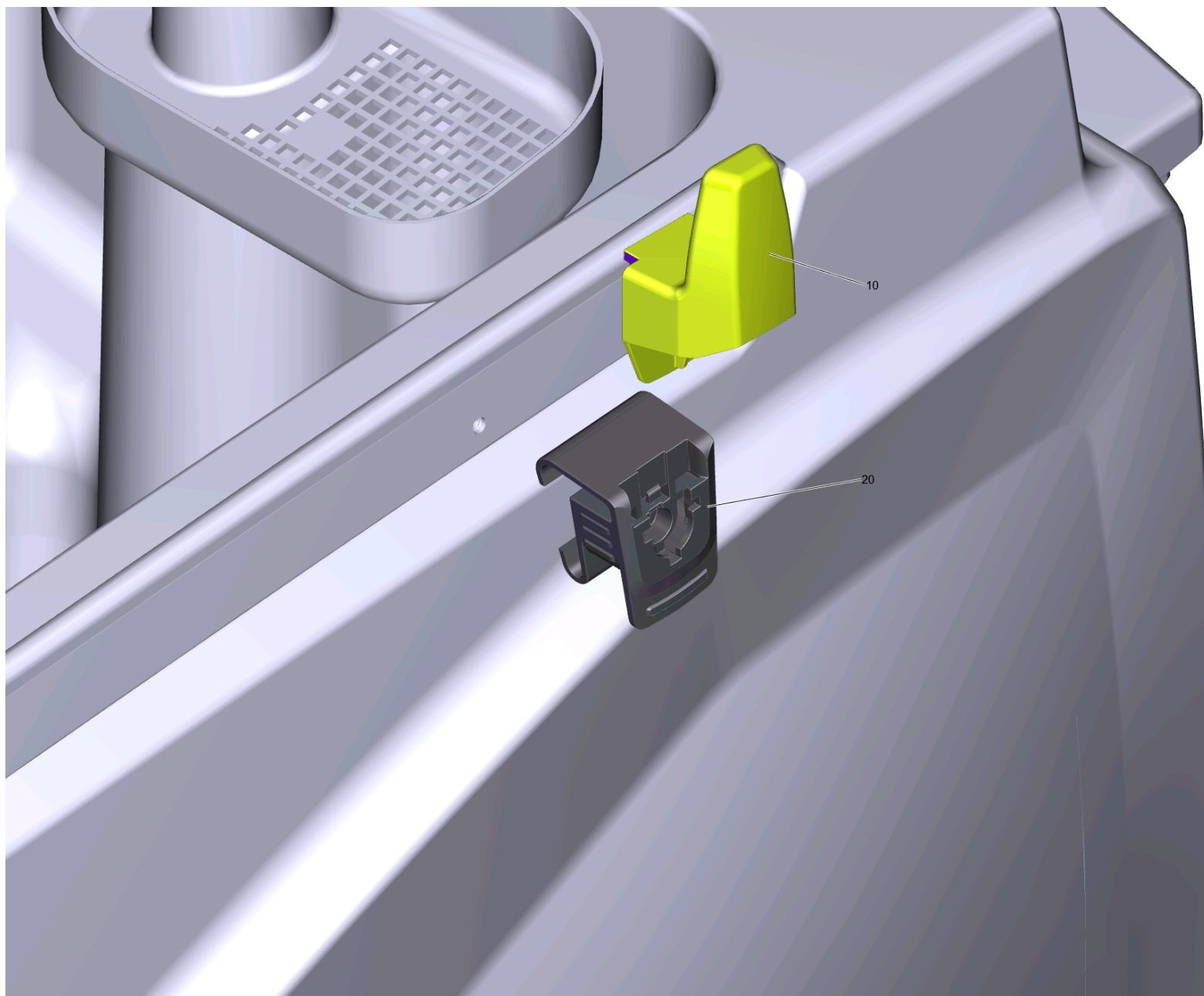
9000 Support roller complete replacement (4.035-171.0)

POS	Article no.	Description	Quantity	Unit
20	6.435-086.0	Castor	1.000	ST
30	5.332-554.0	Pressure spring	1.000	ST
40	6.321-240.0	Star grip with inscription VA Ø50x43	1.000	ST
50	7.306-074.0	Cylinder head screw M10x35-8.8-A3E ISO4	1.000	ST
60	7.311-382.0	Cap nut M10-6-A3E DIN 1587	1.000	ST
70	6.996-526.0	Serrated locking washer d.10	1.000	ST



9000 Roller suction bar (4.035-339.0)

POS	Article no.	Description	Quantity	Unit
10	5.101-139.0	Roller holder weight	1.000	ST
20	6.435-401.0	Wheel D54	1.000	ST
30	5.317-781.0	Bolt roller	1.000	ST
40	7.343-303.0	Locking ring 8-A2 DIN 6799	1.000	ST
90	6.321-240.0	Star grip with inscription VA Ø50x43	1.000	ST
100	5.332-504.0	Pressure spring	1.000	ST



9000 Set universal hook (4.070-075.0)

POS	Article no.	Description	Quantity	Unit
10	5.037-360.0	Hook Puzzi Home Base	1.000	ST
20	5.035-488.0	Adapter Homebase	1.000	ST