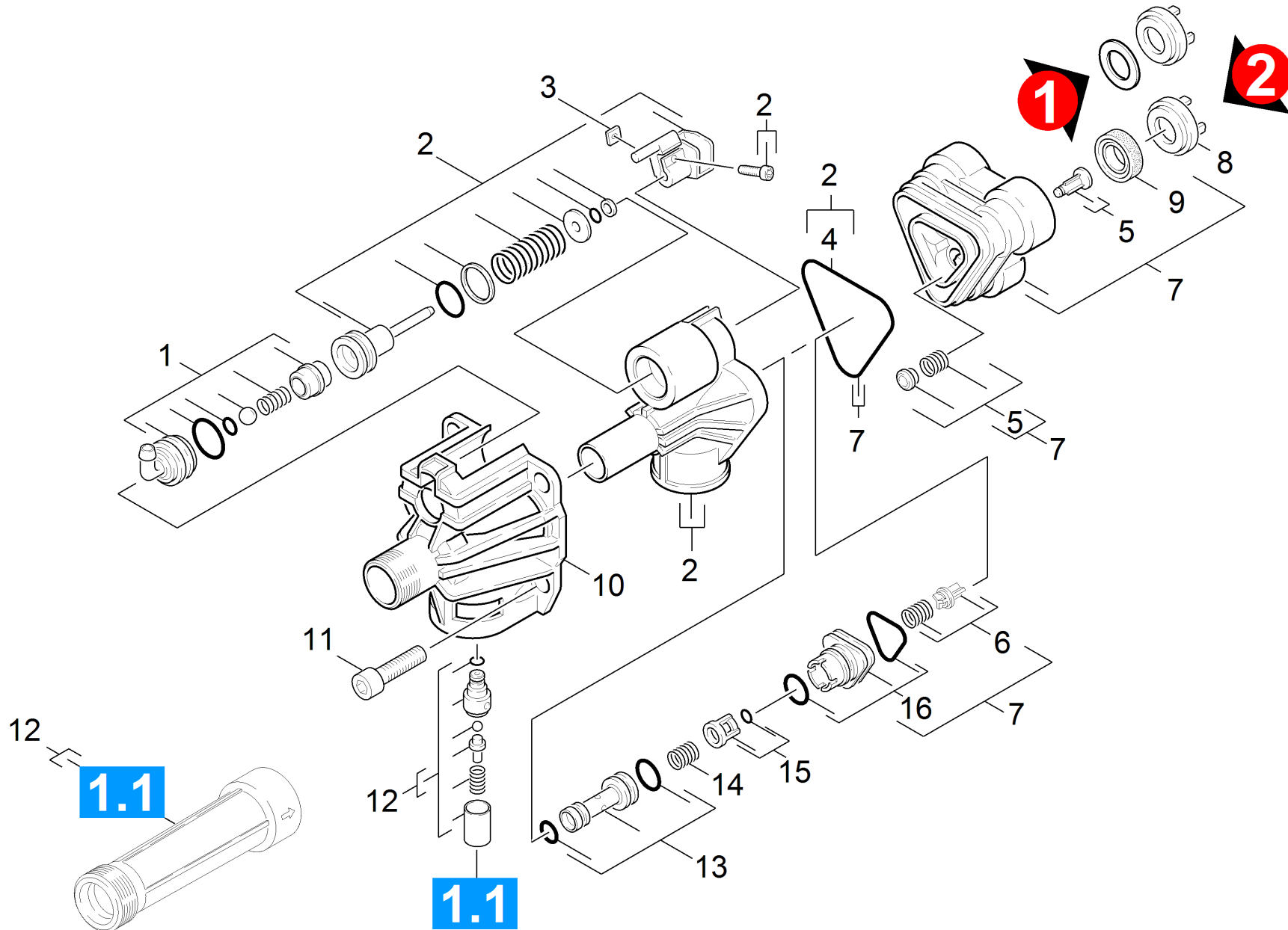


# 21 Cylinder head

Home and Garden \ High pressure cleaner cold water \ Electric motor \ K 5 \ K 5.000M \*CH \ Spare parts list K 550 M \*EUR \ Pump set \ Cylinder head



## 21 Cylinder head

Home and Garden \ High pressure cleaner cold water \ Electric motor \ K 5 \ K 5.000M \*CH \ Spare parts list K 550 M \*EUR \ Pump set \ Cylinder head

**KÄRCHER**

POS	Article no.	Description	Quantity	Unit	Foot note text
12	2.884-220.0	Spare part set WF+SV*EU	1	PC	
10	2.889-075.0	Spare part set pressure cap	1	PC	
13	4.769-044.0	Nozzle insert complete -K550M	1	PC	
9	6.362-875.0	Grooved ring	3	PC	
11	7.306-042.0	Cylinder head screw M8x25 -8.8-A2E ISO4	4	PC	
3	7.311-569.0	Square nut M4 -04-A2E DIN 562	1	PC	
2	9.001-104.0	Spare parts set control head	1	PC	
7	9.001-105.0	Spare parts set cylinder head	1	PC	
16	9.001-106.0	Joining piece	1	PC	
15	9.001-107.0	Cage complete	1	PC	
5	9.001-110.0	Moulded part complete	1	PC	SET CONSISTS OF 3X MACHINED PART COMPL.
6	9.001-149.0	Spare parts set valve	1	PC	SET CONSITSTS OF 3X VALVE
1	9.001-741.0	Aspiration cleaning agents for replaceme	1	PC	
8	9.036-322.0	Supporting disk	3	PC	
14	9.047-026.0	Spring	1	PC	
4	9.081-422.0	Form seal	1	PC	