

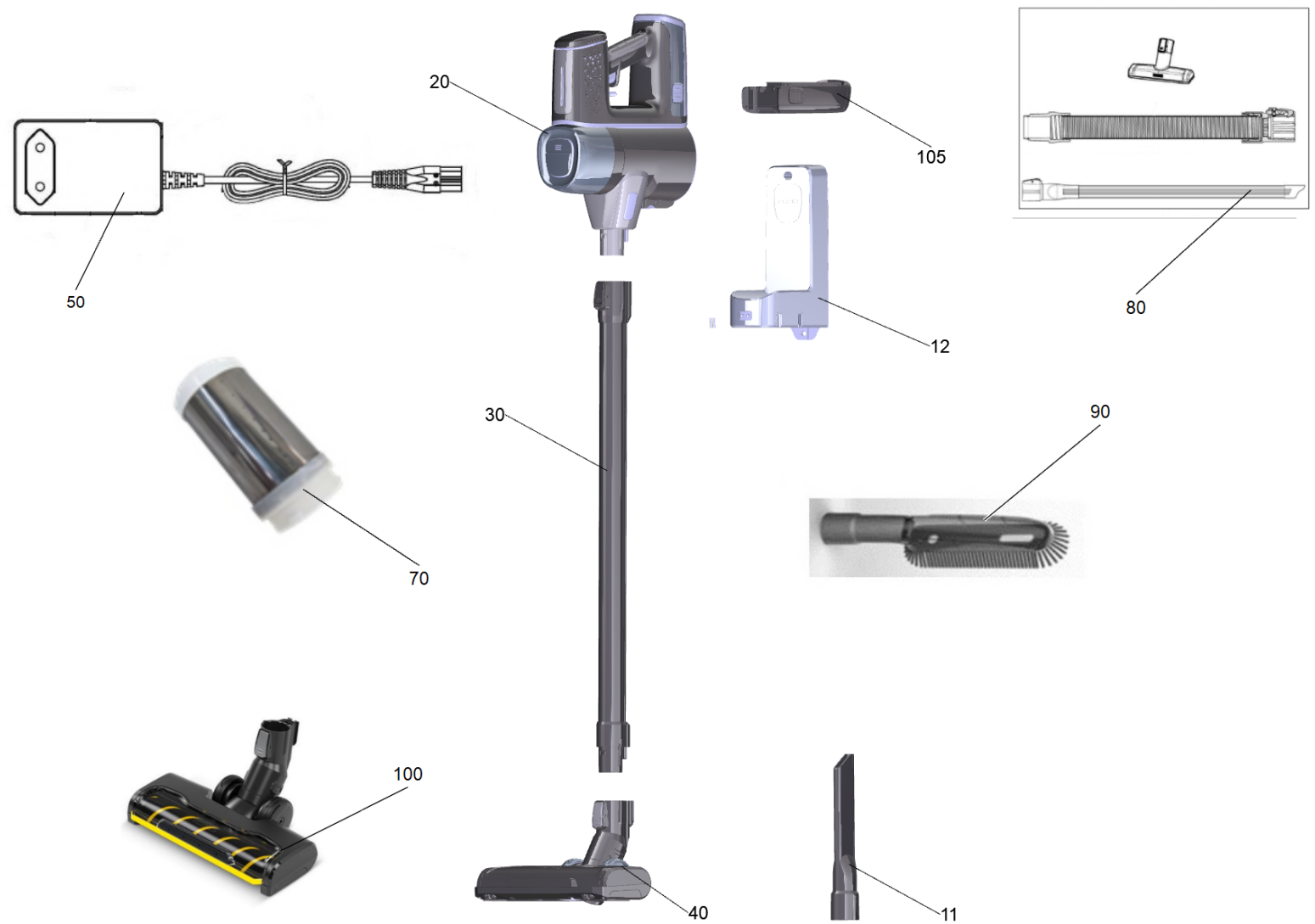
## **Spare parts list**

(1.198-660.0) VC 6 Cordless ourFamily

## Table of contents

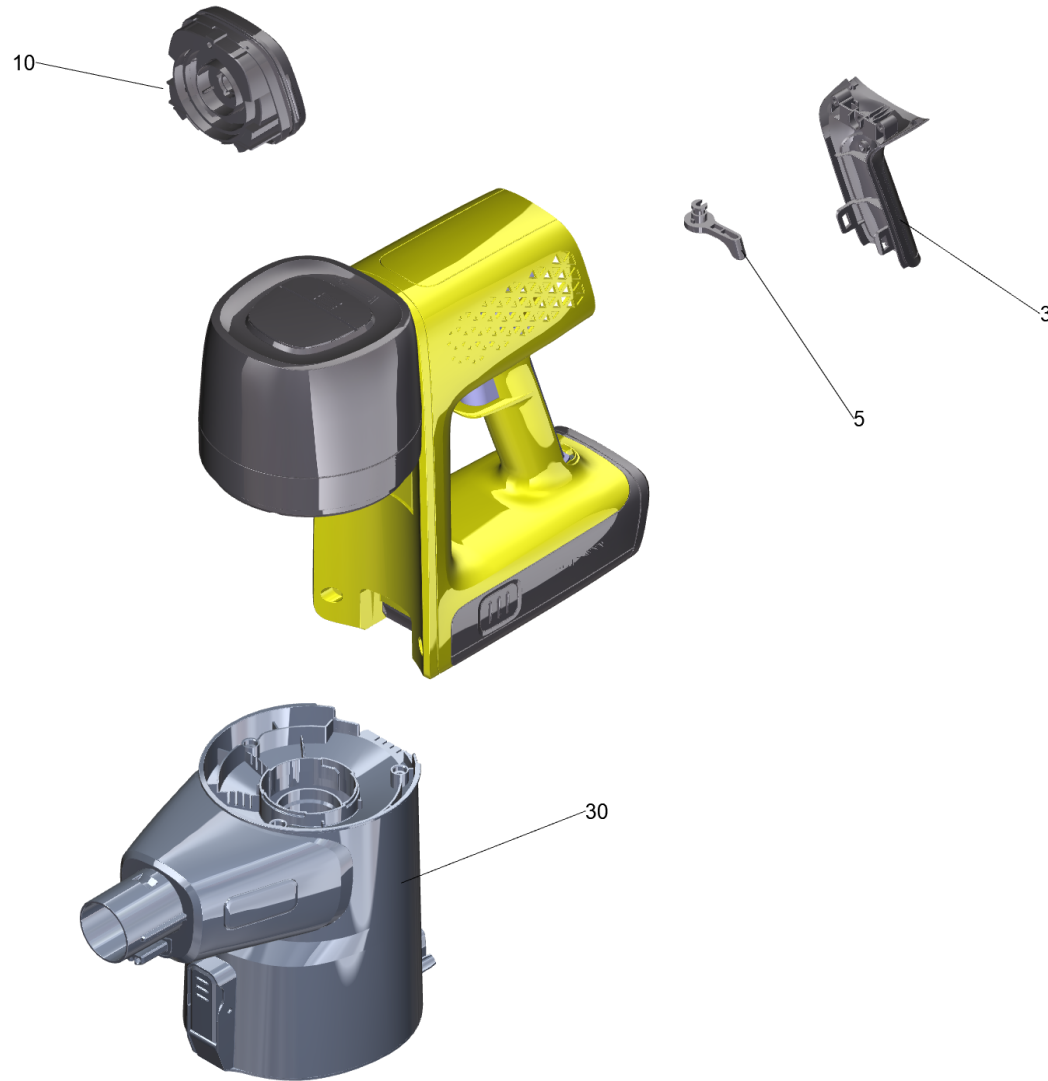
---

VC 6 Cordless ourFamily (1.198-660.0)	3
20 Handheld complete Better (9.754-738.0)	5
30 Dust tank complete (9.754-745.0)	7
30 Suction tube metal (9.754-739.0)	9
40 Floor tool (9.754-740.0)	11



VC 6 Cordless ourFamily (1.198-660.0)

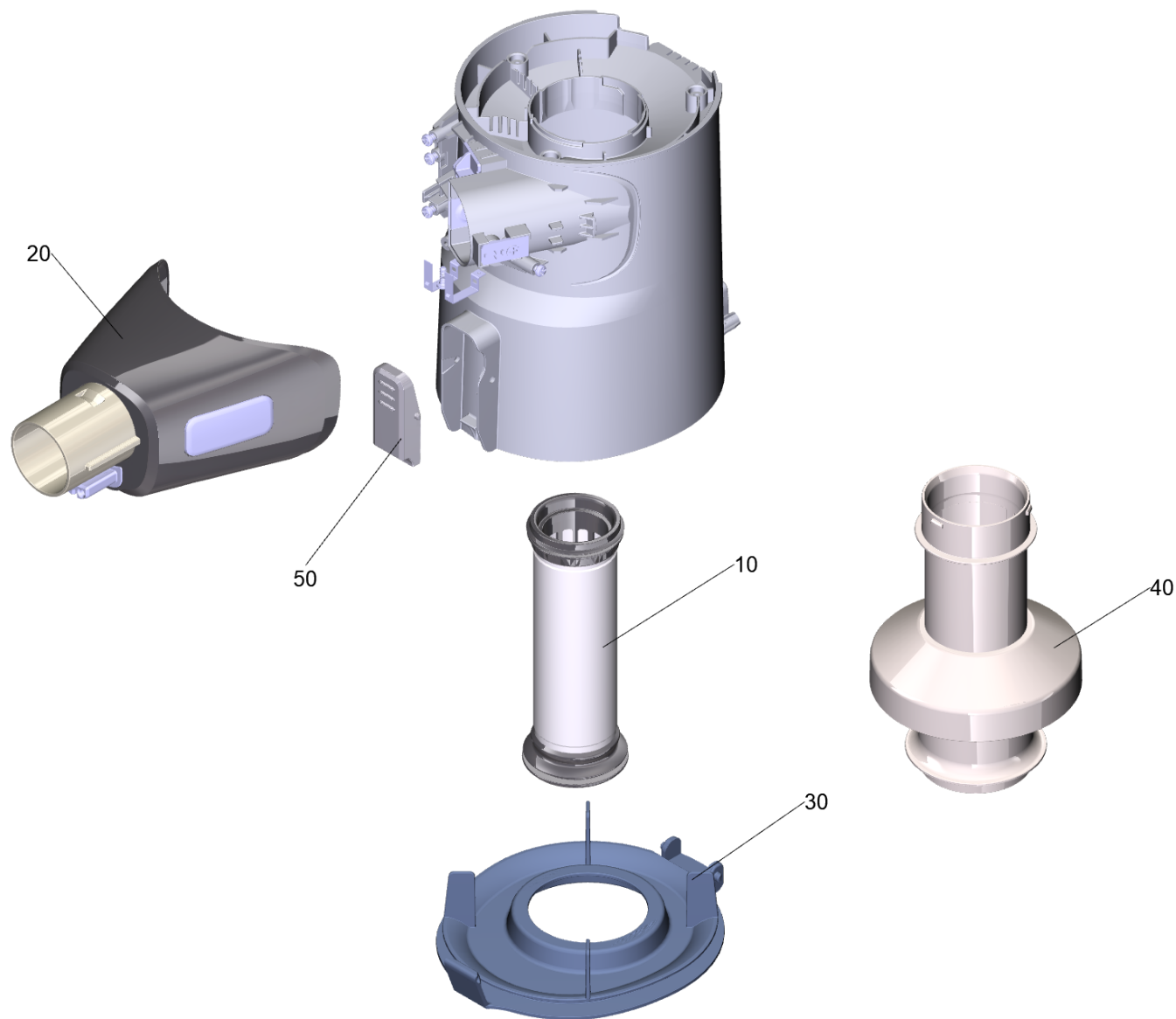
POS	Article no.	Description	Quantity	Unit
10	9.754-720.0	Combi brush 2 in 1	1	PC
11	9.769-118.0	Crevice nozzle	1	PC
12	9.754-749.0	Wall bracket with charging station	1	PC
20	9.754-738.0	Handheld complete Better	1	PC
30	9.754-739.0	Suction tube metal	1	PC
40	9.754-740.0	Floor tool	1	PC
50	9.754-741.0	Battery charger	1	PC
70	2.863-318.0	Hepa 12 Filter	1	PC
80	2.863-323.0	Car accessories set	1	PC
90	2.863-320.0	Brush Soft	1	PC
100	2.863-322.0	Floor tool hard floor	1	PC
105	2.863-088.0	Battery packaged VC 25.2/25 (EVE) TEK gelb	1	PC



20 Handheld complete Better (9.754-738.0)

---

POS	Article no.	Description	Quantity	Unit
3	9.754-706.0	Handle back cover 2K	1	PC
5	9.765-994.0	Body trigger	1	PC
10	9.769-548.0	Spare parts set filter	1	PC
30	9.754-745.0	Dust tank complete	1	PC



### 30 Dust tank complete (9.754-745.0)

---

<b>POS</b>	<b>Article no.</b>	<b>Description</b>	<b>Quantity</b>	<b>Unit</b>
10	2.863-319.0	Filter Air Inlet	1	PC
20	2.884-357.0	Spare parts set dust box	1	PC
30	9.769-564.0	Dust tank cover VC6	1	PC
40	9.769-563.0	Filter cone VC6 94,2mm	1	PC
50	9.769-022.0	Bottom release button	1	PC

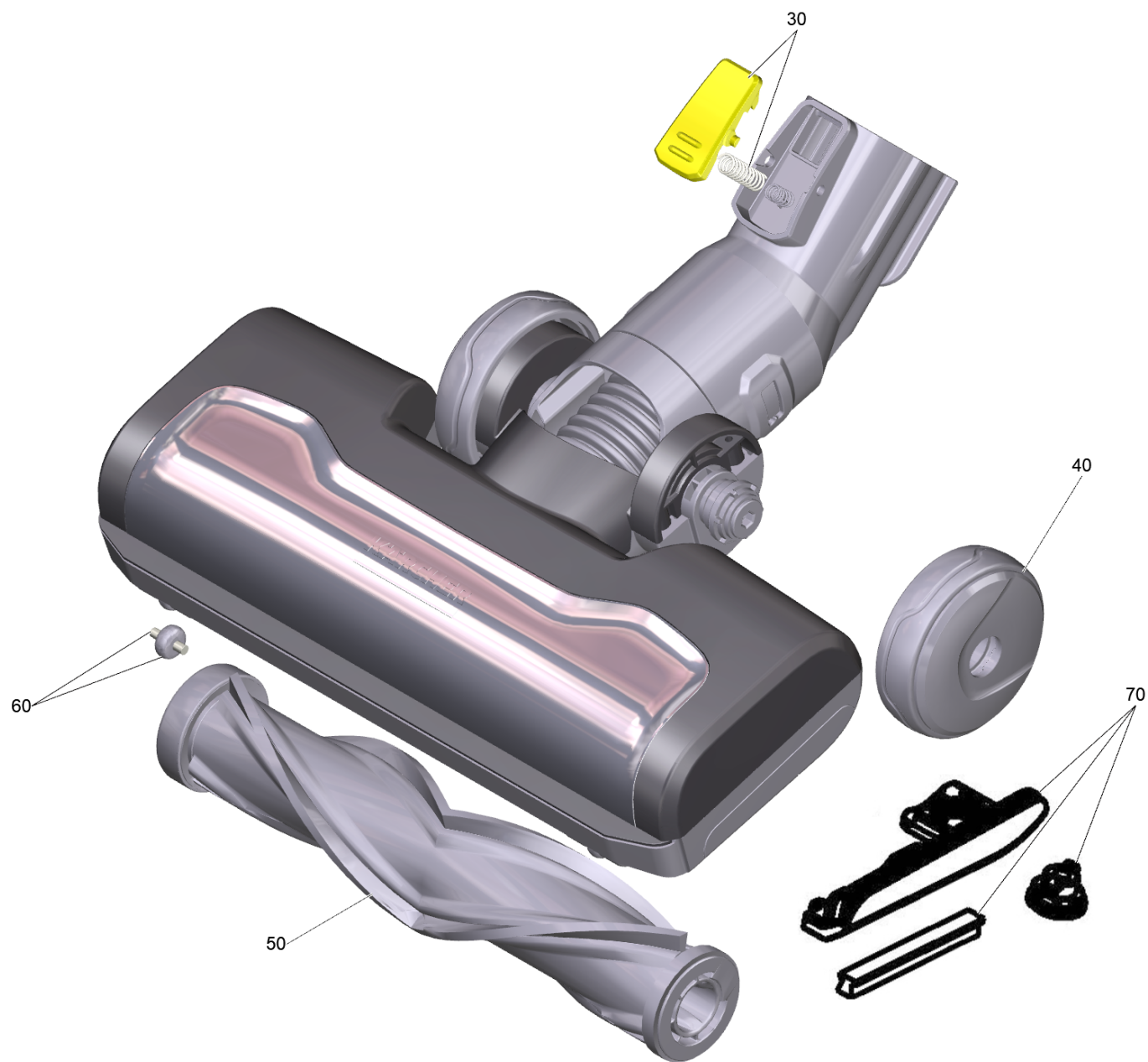




30 Suction tube metal (9.754-739.0)

---

<b>POS</b>	<b>Article no.</b>	<b>Description</b>	<b>Quantity</b>	<b>Unit</b>
10	9.769-079.0	Tube button	1	PC
20	9.769-566.0	Spring	1	PC



40 Floor tool (9.754-740.0)

---

<b>POS</b>	<b>Article no.</b>	<b>Description</b>	<b>Quantity</b>	<b>Unit</b>
30	9.769-079.0	Tube button	1	PC
40	9.754-708.0	Rear wheel 2K	1	PC
50	9.769-549.0	Brush FB1676B	1	PC
60	9.769-545.0	Spare parts set wheel shaft	2	PC
70	9.769-550.0	Spare parts set trigger button	1	PC