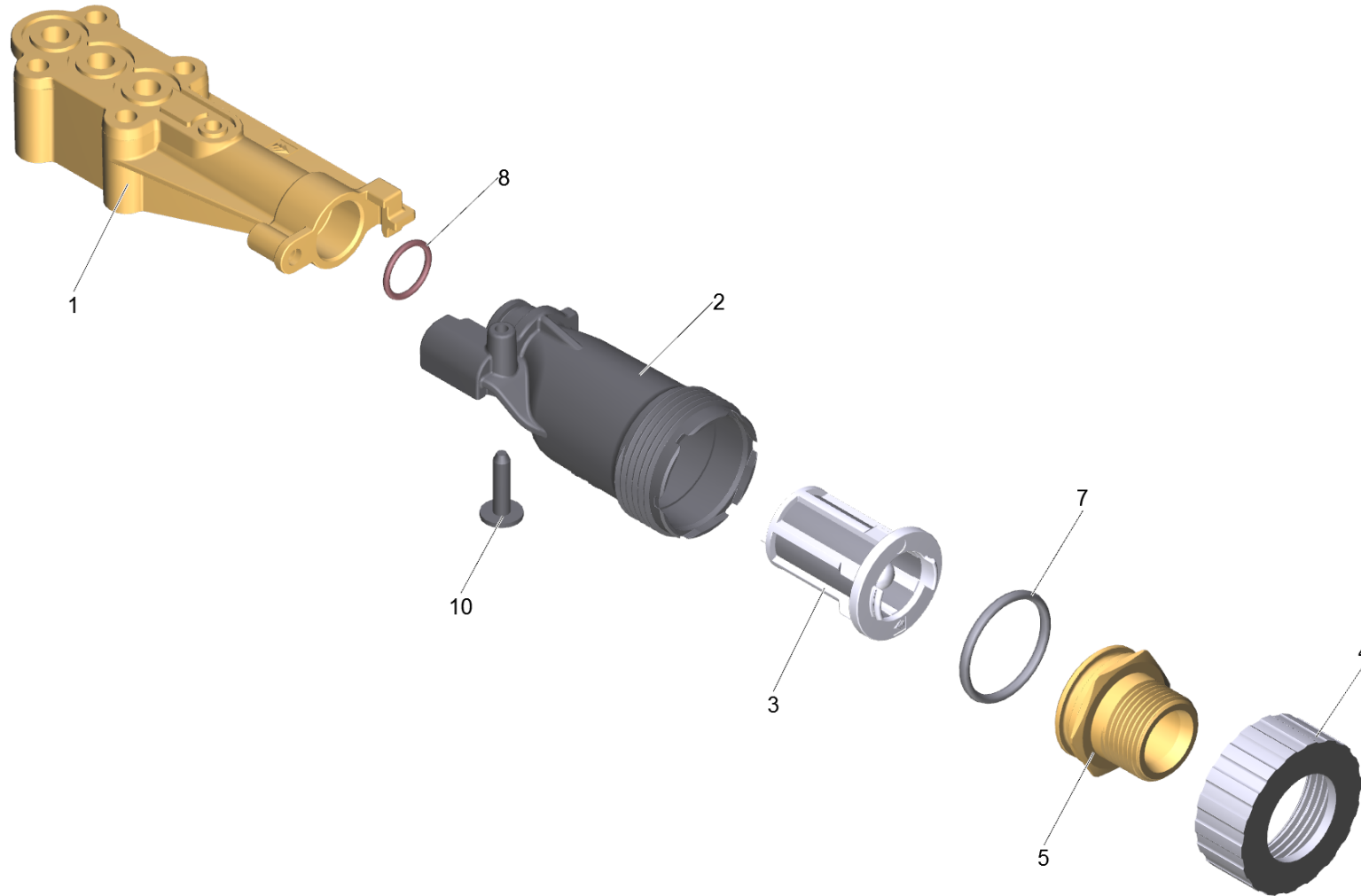


### 3 Water intake complete

Professional \ High pressure cleaner cold water \ Electric motor \ HD 7/17 M Portable \*EU \ Unit HD 7/17 M Portable \ Pump set HD 7/17 M \*EU (D128) \ Cylinder head complete HD-M TK45 D14 \ Water intake complete



### 3 Water intake complete

Professional \ High pressure cleaner cold water \ Electric motor \ HD 7/17 M Portable \*EU \ Unit HD 7/17 M Portable \ Pump set HD 7/17 M \*EU (D128) \ Cylinder head complete HD-M TK45 D14 \ Water intake complete

**KÄRCHER**

POS	Article no.	Description	Quantity	Unit
5	5.064-517.0	Connection piece water intake G 3/4 A	1.000	ST
3	5.731-059.0	Filter cartridge with cone (mesh 100)	1.000	ST
4	5.064-465.0	Nut water intake	1.000	ST
8	6.362-481.0	O-Ring seal 14,0 x 2,0 NBR 80	1.000	ST
7	6.363-437.0	O-Ring seal 30x3	1.000	ST
10	6.303-125.0	Screw 5x20-Sonder In6Rd+Spitze	1.000	ST
1	5.064-230.0	Suction cover	1.000	ST
2	5.045-049.0	Water intake cranked	1.000	ST