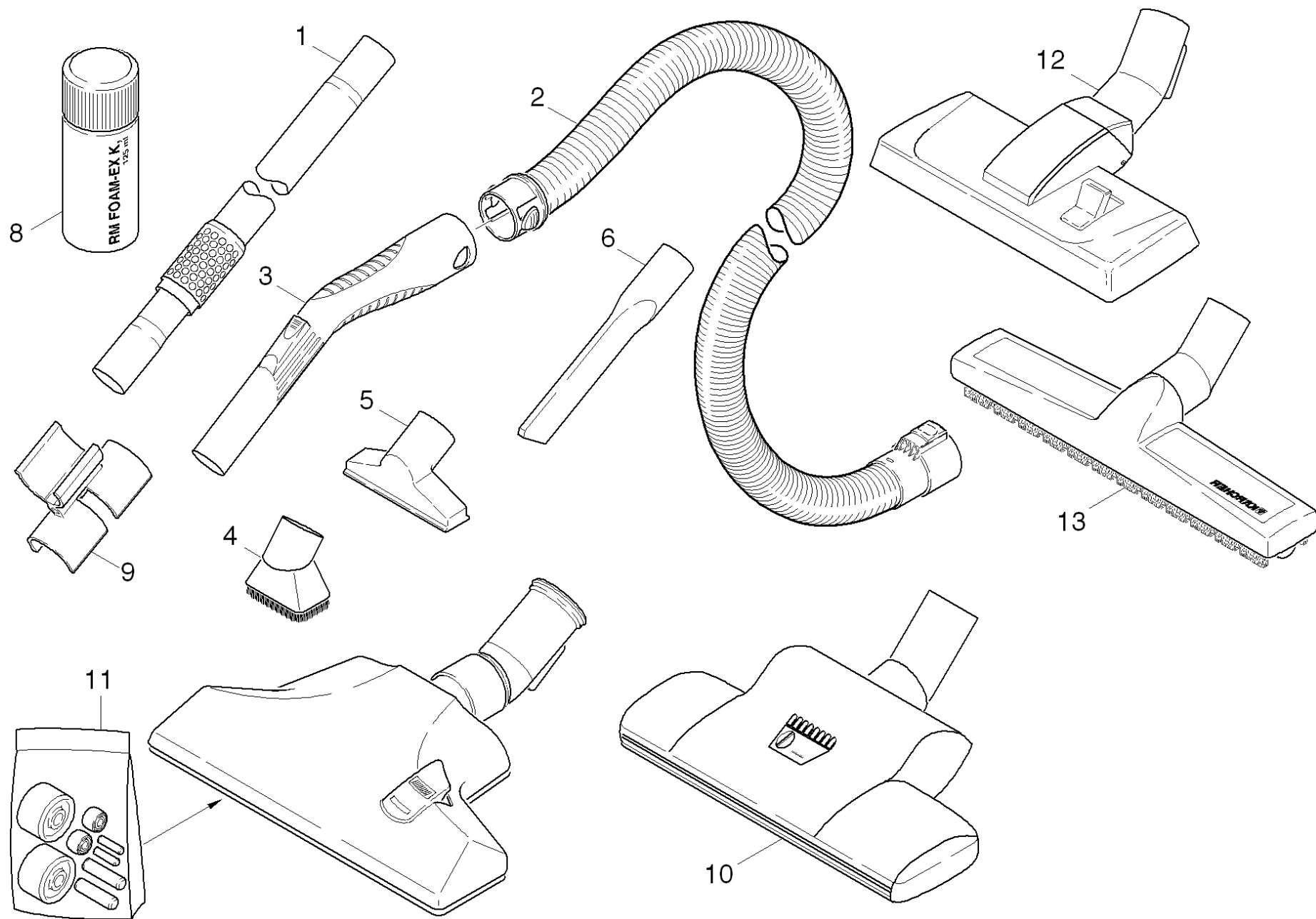


Spare parts list

Accessories



50 Accessories

POS	Article no.	Description	Quantity	Unit	Foot note text
6	6.906-108.0	Car nozzle DN35	1.000	ST	GREY
6	6.900-385.0	Crevice nozzle DN35	1.000	ST	BLACK
6	6.900-385.0	Crevice nozzle DN35	1.000	ST	BLACK
12	6.906-894.0	Floor tool black RD270 DN35	1.000	ST	
	Item text1: / 1.195-101.0 / -102.0 / -103.0 / -104.0 / -105.0 / -109.0 / -110.0 / -120.0 / -111.0 / -114.0 / -115.0 / -116.0				
4	2.863-241.0	Furniture brush VC 5	1.000	ST	
3	6.902-116.0	Hand tube	1.000	ST	GREY
3	6.902-126.0	Hand tube	1.000	ST	BLACK
9	5.037-138.0	Holder accessories	1.000	ST	BLACK
9	5.037-146.0	Holder accessories grey	1.000	ST	GREY
13	4.130-172.0	Parquet nozzle complete	1.000	ST	
8	6.290-852.0	RM FOAMSTOP neutral,125ml*DE,FR,IT,EN,NL	1.000	ST	
11	6.906-550.0	Roller set K5500	1.000	ST	ORDER ACCORDING TO CONSUMPTION
	Item text1: / 6.906-248.0				
2	6.901-076.0	Suction hose complete black DS 5500/5600	1.000	ST	BLACK
2	6.901-077.0	Suction hose complete grey DS 5500	1.000	ST	GREY
1	6.902-127.0	Telescopic tube	1.000	ST	
1	6.902-148.0	Telescopic tube stainless steel	1.000	ST	
	Item text1: /1.195-119.0				
10	4.130-177.0	Turbo nozzle	1.000	ST	
	Item text1: / 1.195-101.0 / -107.0 / -111.0 / -117.0				
	Item text2: / -119.0 / -120.0				
5	6.906-622.0	Upholstery nozzle	1.000	ST	BLACK