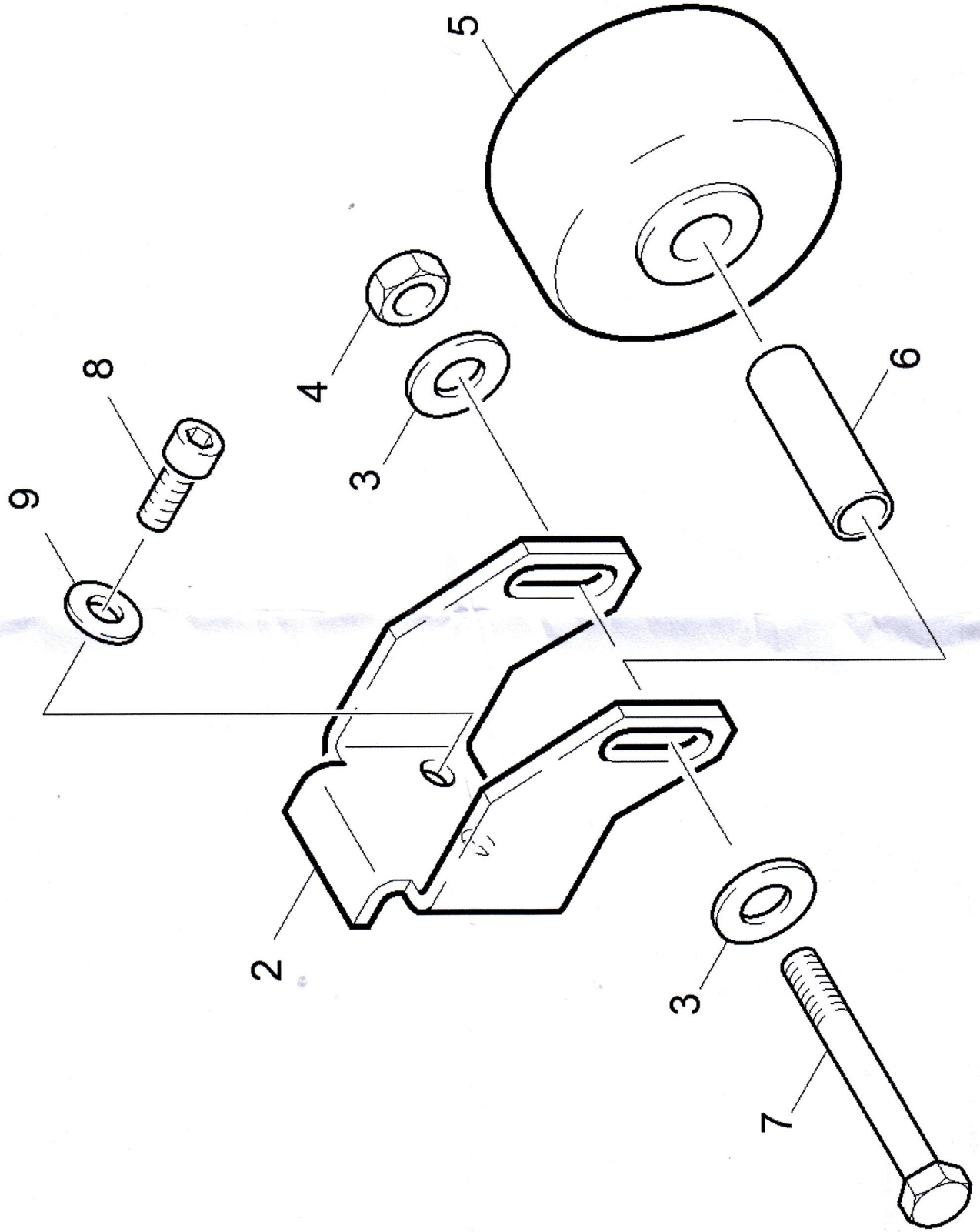


10 Support wheels



## 10 Support wheels

POS	Article no.	Description	Anzahl	Einheit
2	5.044-304.0	Holder roller	2.000	ST
3	7.312-026.0	Washer 6 -A2 ISO 7090	4.000	ST
4	7.311-422.0	Hexagon nut M 6-1.4305 ISO 10511	2.000	ST
5	6.435-401.0	Wheel D54	2.000	ST
6	5.105-320.0	Axle	2.000	ST
7	7.306-199.0	Screw M 6x50-A2-70 (IN6RD)	2.000	ST
8	7.303-037.0	Screw M5x10 -St-P2R (In6Rd)	4.000	ST
9	7.312-058.0	Washer 5 -A2 ISO 7090	4.000	ST