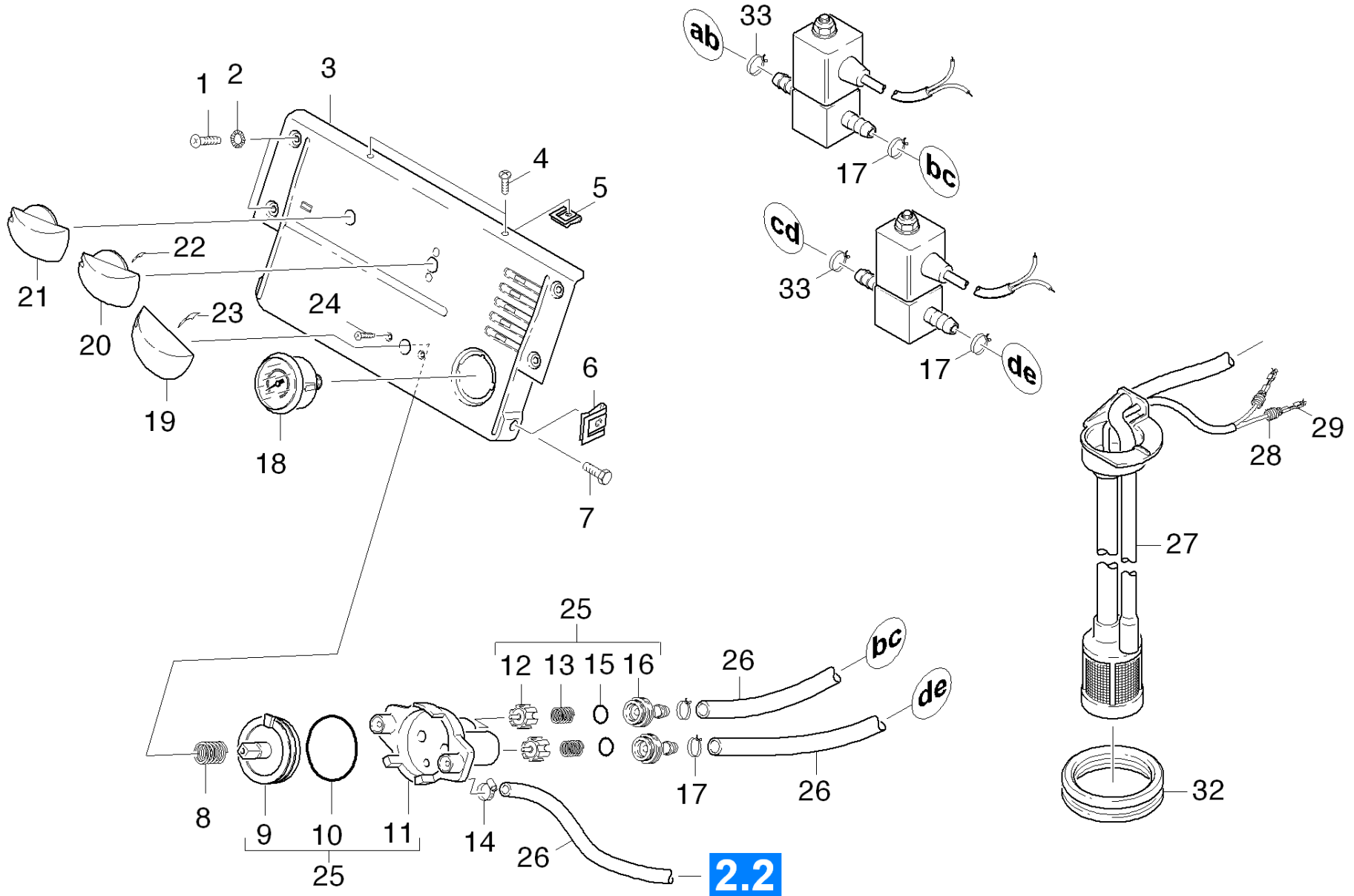


# 110 Control panel

Overview technical documents/Professional/High pressure cleaner hotwater/Electric motor/HDS 1295 -45X ECO LL\*EU-I (1.028-324.0)/Spare parts list HDS 1295 S ECO/110 Control panel



## 110 Control panel

Overview technical documents/Professional/High pressure cleaner hotwater/Electric motor/HDS 1295 -45X ECO LL\*EU-I (1.028-324.0)/Spare parts list HDS 1295 S ECO/110 Control panel

Rez.daļas/nodil.pakļ.daļas	Poz.	Materiāla Nr.	Nosaukums	Daudzums	Pārdoš. vienība	no sēr. Nr..	līdz sēr. Nr.
	1	7.303-038.0	Screw M6x20 -St-R3R (In6Rd)	4.000	ST	0000000000	0000000000
	2	7.312-172.0	Toothed lock washer A5,3-FSt-A3E DIN 67	4.000	ST	0000000000	0000000000
	3	5.841-465.0	Control panel	1.000	ST	0000000000	0000000000
	4	7.303-078.0	Sheet metal screw ST4,8X19-ST-A2R (KOMBI	2.000	ST	0000000000	0000000000
	5	6.310-034.0	Speed nut	2.000	ST	0000000000	0000000000
	6	6.310-082.0	Putting nut M6	2.000	ST	0000000000	0000000000
	7	7.304-382.0	Hexagonal head screw M 6x12-8.8-A2E ISO	2.000	ST	0000000000	0000000000
	8	5.332-028.0	Helical spring	1.000	ST	0000000000	0000000000
	9	5.581-035.0	Valve seat	1.000	ST	0000000000	0000000000
	10	6.363-053.0	O-Ring seal 40,0 X 2,5	1.000	ST	0000000000	0000000000
	11	5.587-046.0	Valve housing	1.000	ST	0000000000	0000000000
	12	5.584-028.0	Valve pin	2.000	ST	0000000000	0000000000
	13	5.332-076.0	Helical spring	2.000	ST	0000000000	0000000000
	14	6.388-515.0	Hose clip	1.000	ST	0000000000	0000000000
	15	6.362-381.0	Gredzenblīve 13x2 - NBR 70	2.000	ST	0000000000	0000000000
	16	5.586-014.0	Valve connecting piece	2.000	ST	0000000000	0000000000
	17	6.388-561.0	Hose clip	4.000	ST	0000000000	0000000000
X-X	18	6.421-170.0	Manometrs 0-315 bāri	1.000	ST	0000000000	0000000000
	19	5.321-379.0	Tureklis	1.000	ST	0000000000	0000000000
	20	5.321-641.0	Termostata tureklis	1.000	ST	0000000000	0000000000
	21	5.321-633.0	handhold	1.000	ST	0000000000	0000000000
X-X	22	6.313-014.0	Spailes atspere	1.000	ST	0000000000	0000000000
	23	5.337-021.0	Atsperes plāksne	1.000	ST	0000000000	0000000000
	24	7.305-036.0	Countersunk screw M4x12 -A2-70-s (IN6RD	2.000	ST	0000000000	0000000000
	25	4.580-075.0	Valve	1.000	ST	0000000000	0000000000

## 110 Control panel

Overview technical documents/Professional/High pressure cleaner hotwater/Electric motor/HDS 1295 -45X ECO LL\*EU-I (1.028-324.0)/Spare parts list HDS 1295 S ECO/110 Control panel

Rez.daļas/nodil.pakļ.daļas	Poz.	Materiāla Nr.	Nosaukums	Daudzums	Pārdoš. vienība	no sēr. Nr..	līdz sēr. Nr.
	26	6.388-194.0	Šūtene DN 7	1.000	M	0000000000	0000000000
	27	4.747-084.0	Level probe	1.000	ST	0000000000	0000000000
	28	6.647-235.0	Sealing cable	4.000	ST	0000000000	0000000000
	29	6.647-234.0	Contact	4.000	ST	0000000000	0000000000
	32	5.363-306.0	joint ring	2.000	ST	0000000000	0000000000
	33	6.388-559.0	Hose clip	2.000	ST	0000000000	0000000000