

Spare parts list

(1.151-900.0) HD 7/18 C *EU-I

Table of contents

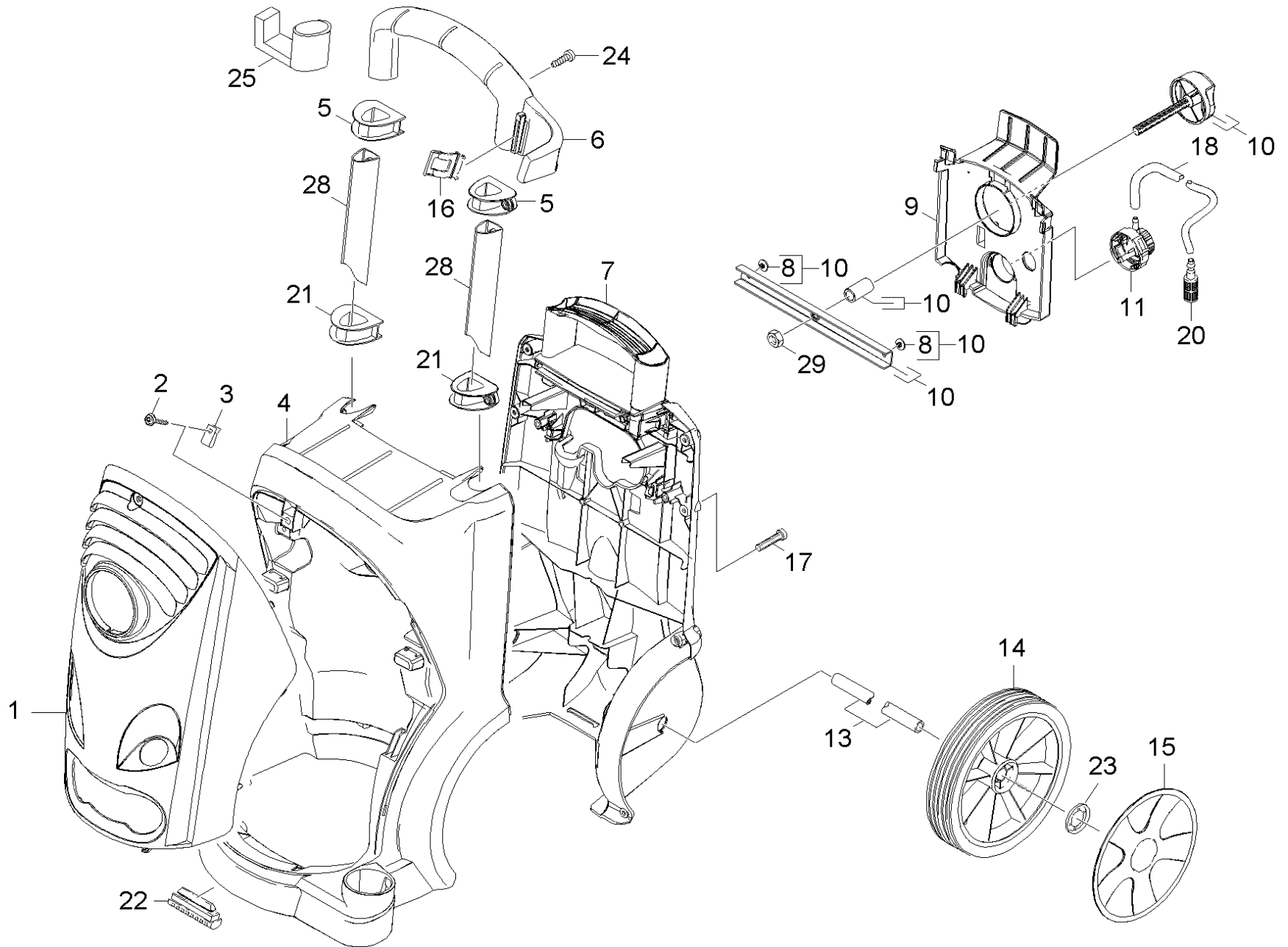
HD 7/18 C *EU-I (1.151-900.0)	3
Spare parts list high-pressure 7/18 C *E (5.974-120.0)	4
10 Housing	5
20 Pump set	7
21 Cylinder head	8
8 Valve (3 Stück) (2.884-916.0)	11
11 Drain plug only for replacement (4.132-007.0)	13
17 SPARE PARTS SET (2.883-988.0)	15
21 Valve pin complete (4.584-022.0)	17
23 Nozzle insert only for replacement (4.769-034.0)	19
25 Spare part set (2.884-551.0)	21
26 Spare part set overflow valve (2.884-550.0)	22
30 Valve seat complete (4.481-226.0)	23
100 Pump set HD 7/18C (2.885-017.0)	25
1 Valve (3 Stück) (2.884-916.0)	26
7 Drain plug only for replacement (4.132-007.0)	28
22 Thrust guidance	30
30 Motor	32
40 Accessories	34
41 EASY!Force Advanced (4.118-005.0)	36
1 Hand trigger gun TR EH 155	37
9000 Spare part set lever (2.885-483.0)	39
42 Hose assembly TR DN6 25MPa 10m (6.110-034.0)	41
43 Jet pipe TR 840 mm (4.112-006.0)	43
1 Jet pipe TR 840 mm	44
44 Triple jet nozzle TR 040 (4.117-033.0)	46
1 Triple jet nozzle TR 040	47
45 Rotary controller TR 270L (4.118-007.0)	49
1 Rotary controller TR 270L	50
50 Electric box	52
1020 Short spare parts list	54

HD 7/18 C *EU-I (1.151-900.0)

POS	Article no.	Description	Quantity	Unit
0	5.974-120.0	Spare parts list high-pressure 7/18 C *E	1.000	ST
1020		Short spare parts list	1.000	ST

Spare parts list high-pressure 7/18 C *E (5.974-120.0)

POS	Description	Quantity	Unit
10	Housing	1.000	ST
20	Pump set	1.000	ST
30	Motor	1.000	ST
40	Accessories	1.000	ST
50	Electric box	1.000	ST

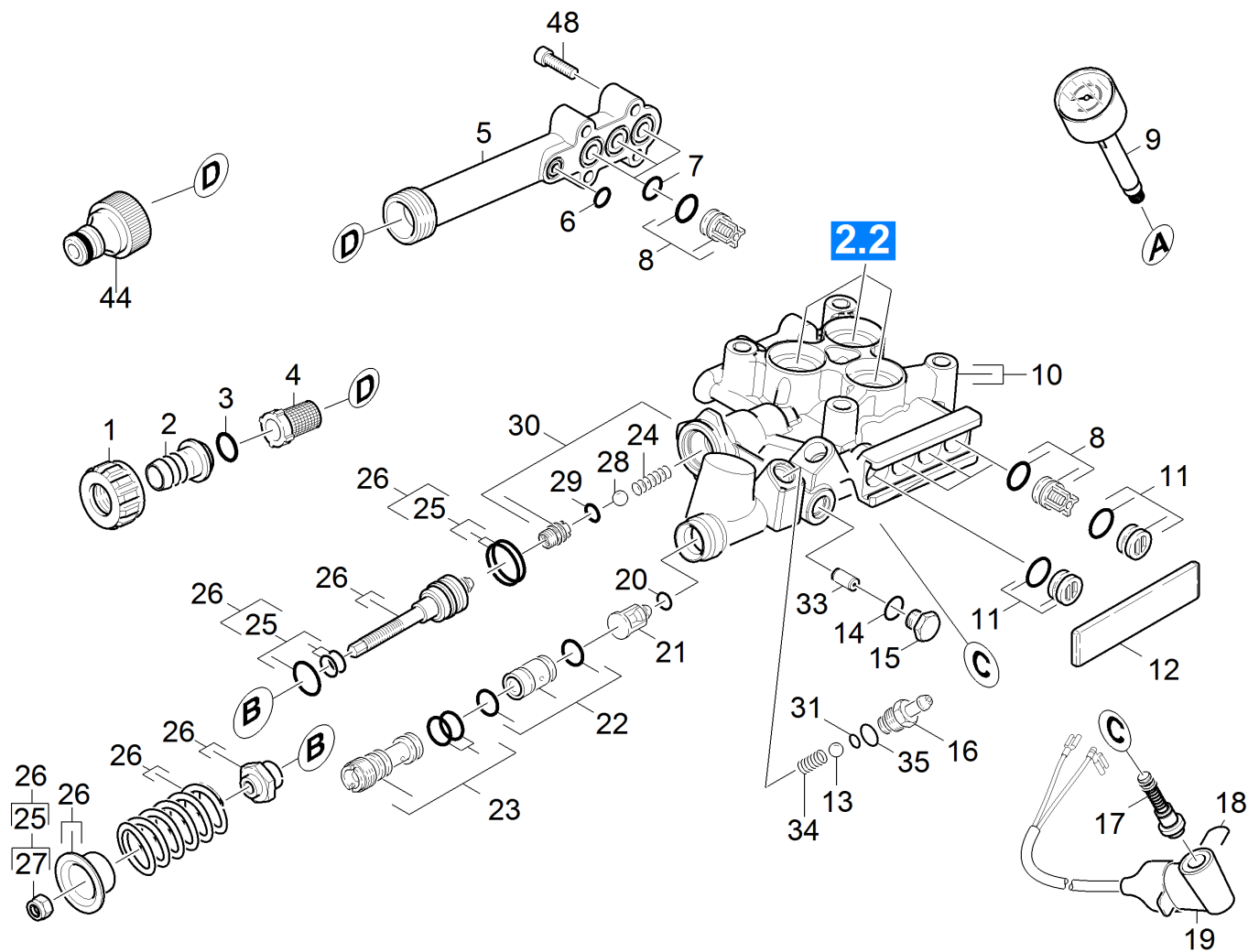


10 Housing

POS	Article no.	Description	Quantity	Unit	Foot note text
1	5.069-443.0	Device cover basalt grey only for replac	1.000	ST	
2	6.304-099.0	Saucer-head screw M 6x 18-4.8-R2R	1.000	ST	
3	6.310-053.0	Putting nut	1.000	ST	
4	5.050-206.3	Frame front part	1.000	ST	
5	5.032-554.0	Guide	2.000	ST	
6	5.321-721.0	Hand grip	1.000	ST	
7	5.050-207.0	Frame rear panel	1.000	ST	
8	6.315-086.0	Rivet	2.000	ST	
9	5.032-556.0	Covering cap	1.000	ST	
10	2.885-007.0	Spare part set Griff	1.000	ST	
11	4.063-778.0	Proportioning valve chemistry	1.000	ST	
13	5.105-399.0	Axle	1.000	ST	
14	6.435-662.0	Wheel D200	2.000	ST	
15	4.515-323.0	Spare parts set wheel cap basalt grey RA	1.000	ST	SET OF 2 PIECES
16	5.044-216.0	Holder	1.000	ST	
17	7.303-108.0	Screw 5x20 -10.9-R2R (In6Rd)	10.000	ST	
18	6.388-216.0	Hose DN 5	1.000	M	TO ORDER AS CUT GOODS
19	7.312-260.0	Washer 6 -100HV-A3E ISO 7094	1.000	ST	
20	5.731-652.0	Filter with weight	1.000	ST	
21	5.032-555.0	Guide	2.000	ST	
22	5.057-062.0	Support	2.000	ST	
23	6.343-168.0	Lock washer	2.000	ST	
24	7.303-046.0	Screw M6x12 -St-R3R (In6Rd)	2.000	ST	
25	5.037-170.0	Hook	1.000	ST	
28	5.107-248.0	Bar shearing shackle	2.000	ST	
29	7.311-088.0	Hexagon nut M10-8-A2K EN 1664	1.000	ST	

20 Pump set

POS	Description	Quantity	Unit
21	Cylinder head	1.000	ST
22	Thrust guidance	1.000	ST

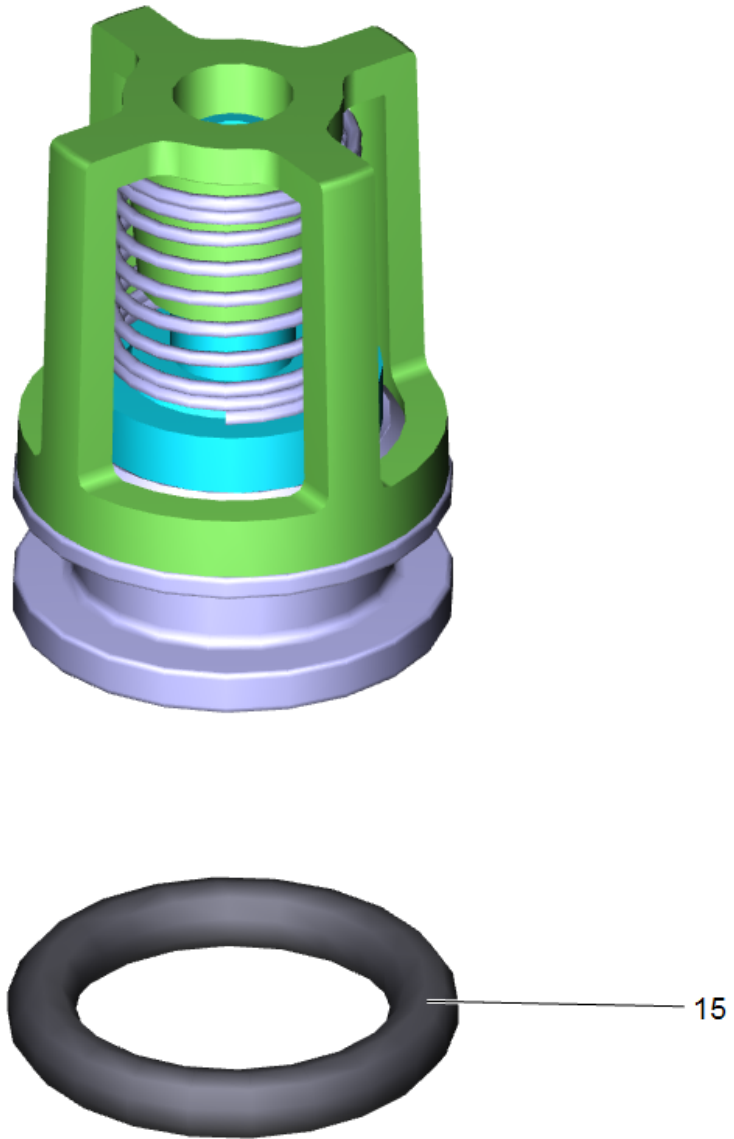


21 Cylinder head

POS	Article no.	Description	Quantity	Unit
1	5.310-065.0	Nut	1.000	ST
2	5.443-229.0	Hose stem	1.000	ST
3	6.362-078.0	O-Ring seal 13,3x2,4	1.000	ST
4	6.414-252.0	Strainer	1.000	ST
5	5.064-150.0	Suction cover	1.000	ST
6	6.362-384.0	O-Ring seal 9x1,5 - NBR 70	1.000	ST
7	6.362-533.0	O-Ring seal 14,0 X 1,5-NBR 70	3.000	ST
8	2.884-916.0	Valve (3 Stück)	2.000	ST
9	6.421-349.3	Pressure gauge 0-30 MPa	1.000	ST
10	4.550-036.0	Cylinder head for replacement	1.000	ST
11	4.132-007.0	Drain plug only for replacement	4.000	ST
12	5.003-062.0	Plate	1.000	ST
13	7.401-908.0	Sphere 7 G300 -1.4301 DIN 5401	1.000	ST
14	6.362-642.0	O-Ring d. 7,65x1,78 -NBR 80	1.000	ST
15	5.411-070.0	Screw plug	1.000	ST
16	5.443-624.0	Nipple	1.000	ST
17	2.883-988.0	SPARE PARTS SET	1.000	ST
18	5.034-494.0	Retaining bracket	1.000	ST
19	4.744-201.0	Switch complete	1.000	ST
20	6.363-613.0	O-Ring seal 4 x 2 -NBR90	1.000	ST
21	4.584-022.0	Valve pin complete	1.000	ST
22	2.884-853.0	Spare part set nozzle insert	1.000	ST
23	4.769-034.0	Nozzle insert only for replacement	1.000	ST
24	5.332-999.0	Helical spring	1.000	ST
25	2.884-551.0	Spare part set	1.000	ST
26	2.884-550.0	Spare part set overflow valve	1.000	ST
27	7.311-510.0	Hexagon nut M 8-8-A2E ISO 7040	1.000	ST
28	7.401-907.0	Sphere 3/8 G200-1.4301 DIN 5401	1.000	ST
29	6.362-858.0	O-Ring seal 11,0 X 1,5	1.000	ST
30	4.481-226.0	Valve seat complete	1.000	ST
31	6.363-597.0	O-Ring seal 5,28 x 1,78	1.000	ST
33	5.111-046.0	Sleeve cylinder head	1.000	ST
34	5.332-258.0	Helical spring	1.000	ST

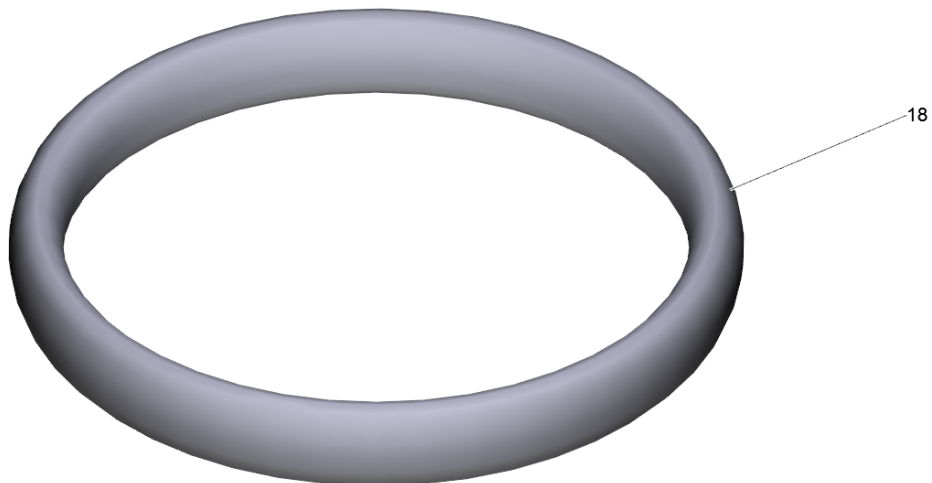
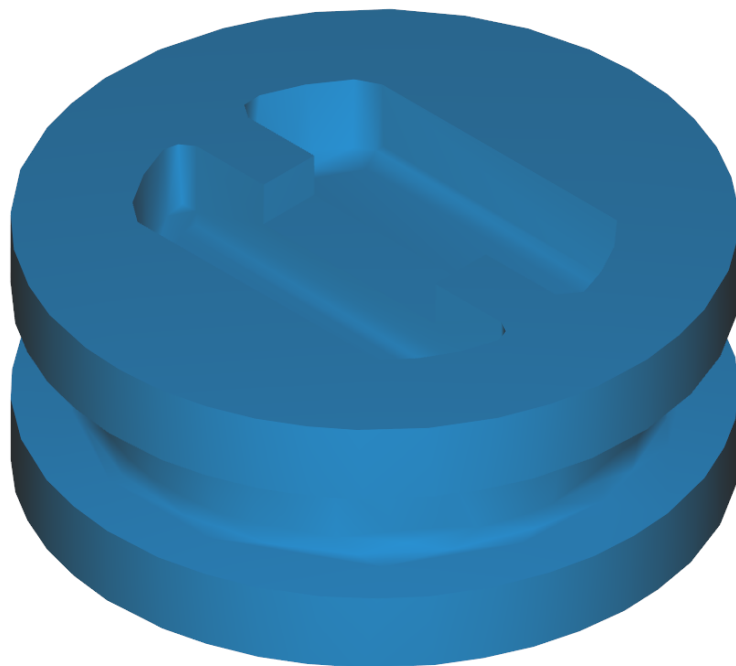
21 Cylinder head

POS	Article no.	Description	Quantity	Unit
35	6.362-113.0	O-Ring seal 6,0 x 2,0 NBR 70	1.000	ST
44	6.465-031.0	Connection 3/4	1.000	ST
48	7.306-105.0	Screw M6x30 -8.8-R3R (In6Rd)	4.000	ST
100	2.885-017.0	Pump set HD 7/18C	1.000	ST



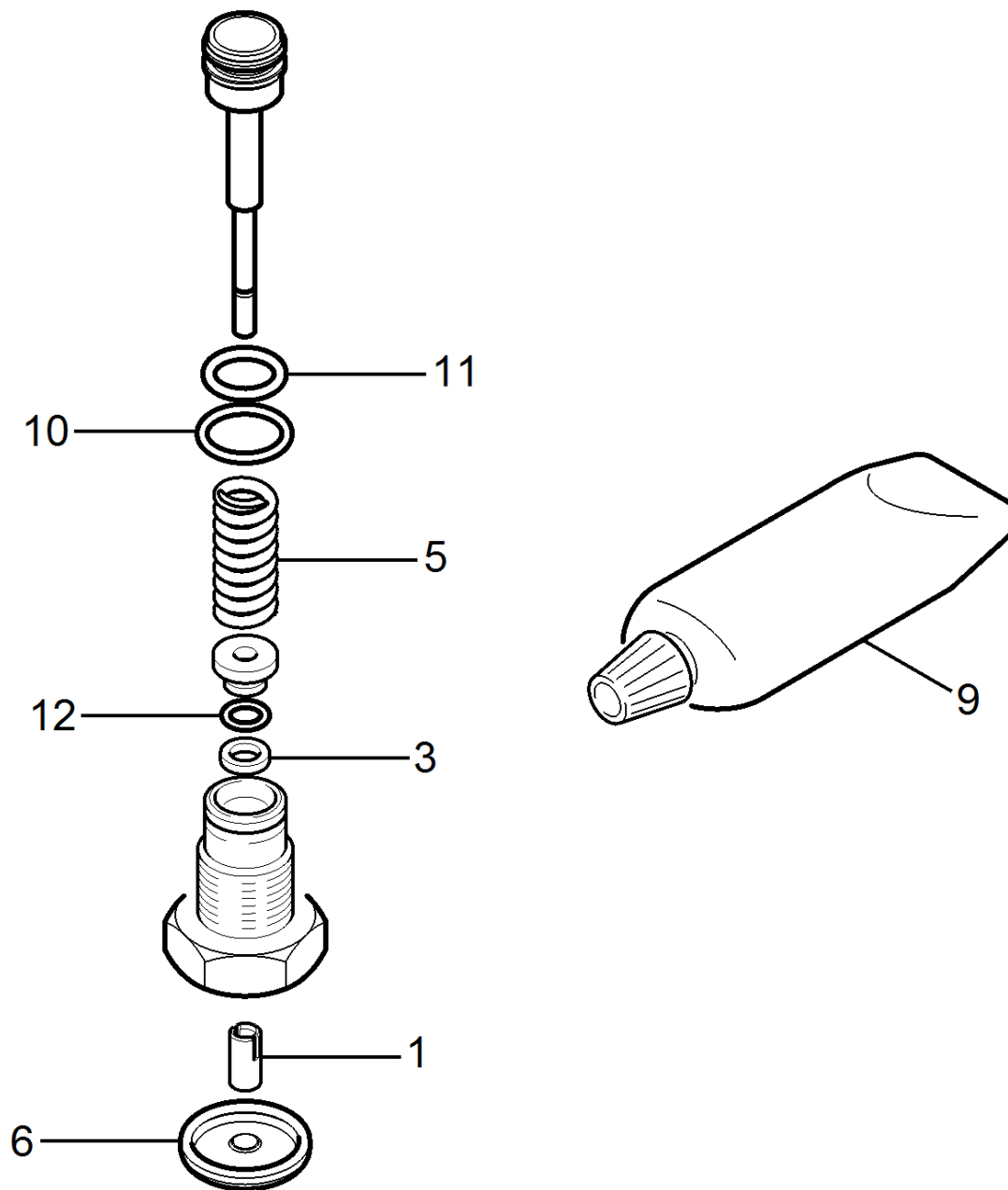
8 Valve (3 Stück) (2.884-916.0)

POS	Article no.	Description	Quantity	Unit
15	6.362-077.0	O-Ring seal 10 x 2,2 NBR 70	1.000	ST



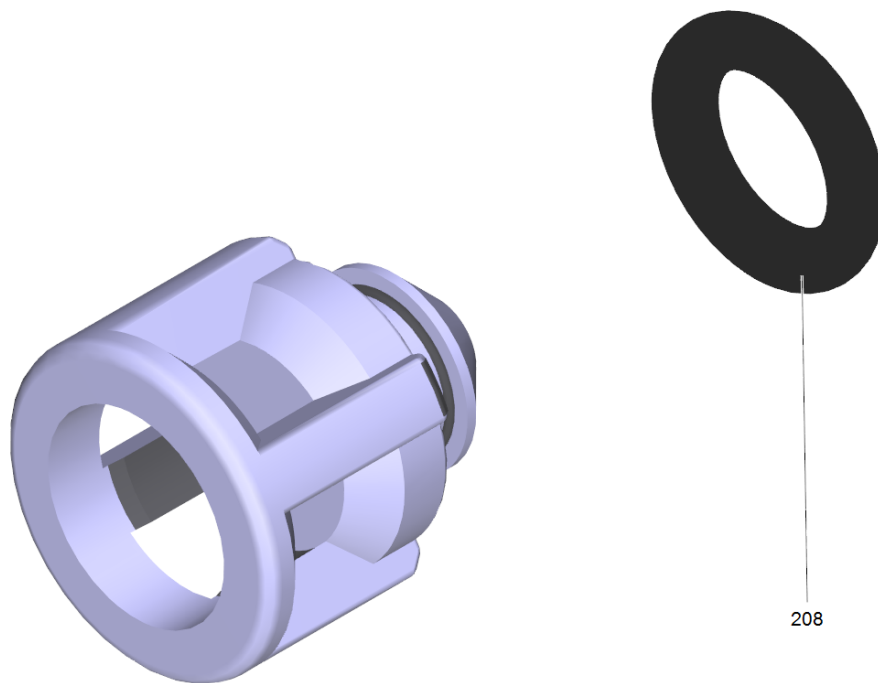
11 Drain plug only for replacement (4.132-007.0)

POS	Article no.	Description	Quantity	Unit
18	6.362-458.0	O-Ring seal 11,0x2,0-NBR 70	1.000	ST



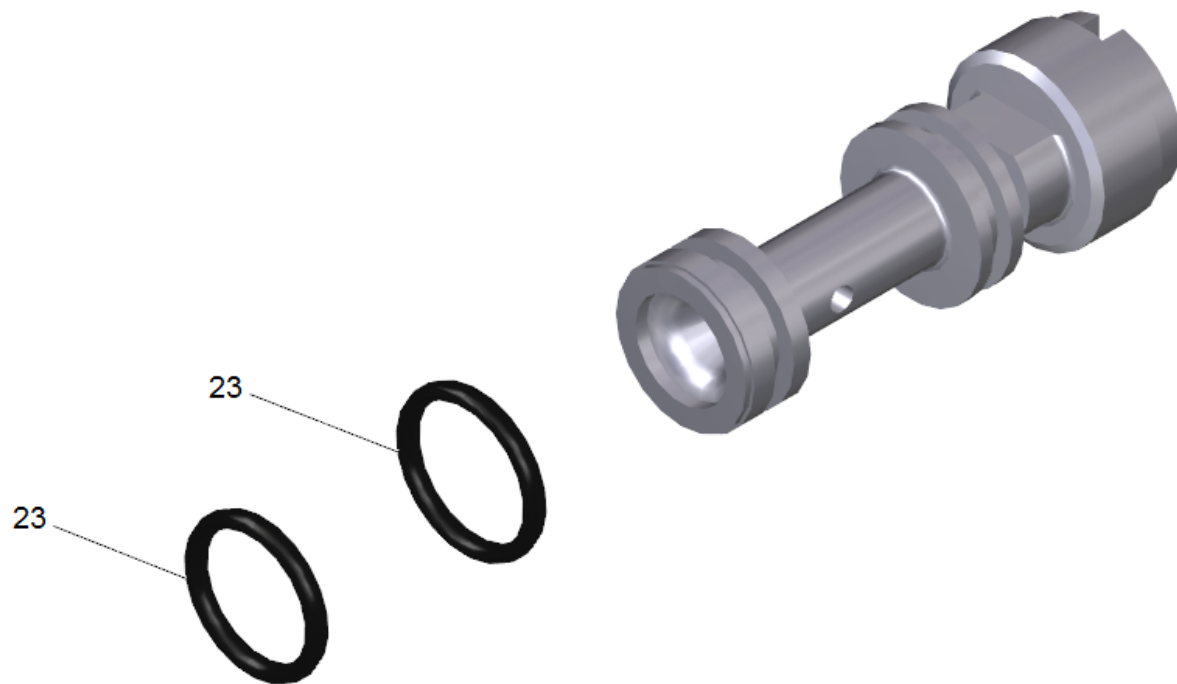
17 SPARE PARTS SET (2.883-988.0)

POS	Article no.	Description	Quantity	Unit
1	5.110-947.0	Sleeve	1.000	ST
3	5.114-513.0	Supportring	1.000	ST
5	5.332-511.0	Helical spring	1.000	ST
6	5.367-030.0	Diaphragm	1.000	ST
9	6.288-044.0	Silicon grease 100 G	1.000	ST
10	6.363-615.0	O-Ring seal 11 x 1,5 -NBR70	1.000	ST
11	6.363-611.0	O-Ring seal 8,73 x 1,78 -NBR	1.000	ST
12	6.363-241.0	O-Ring seal 2,90x1,78	1.000	ST



21 Valve pin complete (4.584-022.0)

POS	Article no.	Description	Quantity	Unit
208	6.363-613.0	O-Ring seal 4 x 2 -NBR90	1.000	ST



23 Nozzle insert only for replacement (4.769-034.0)

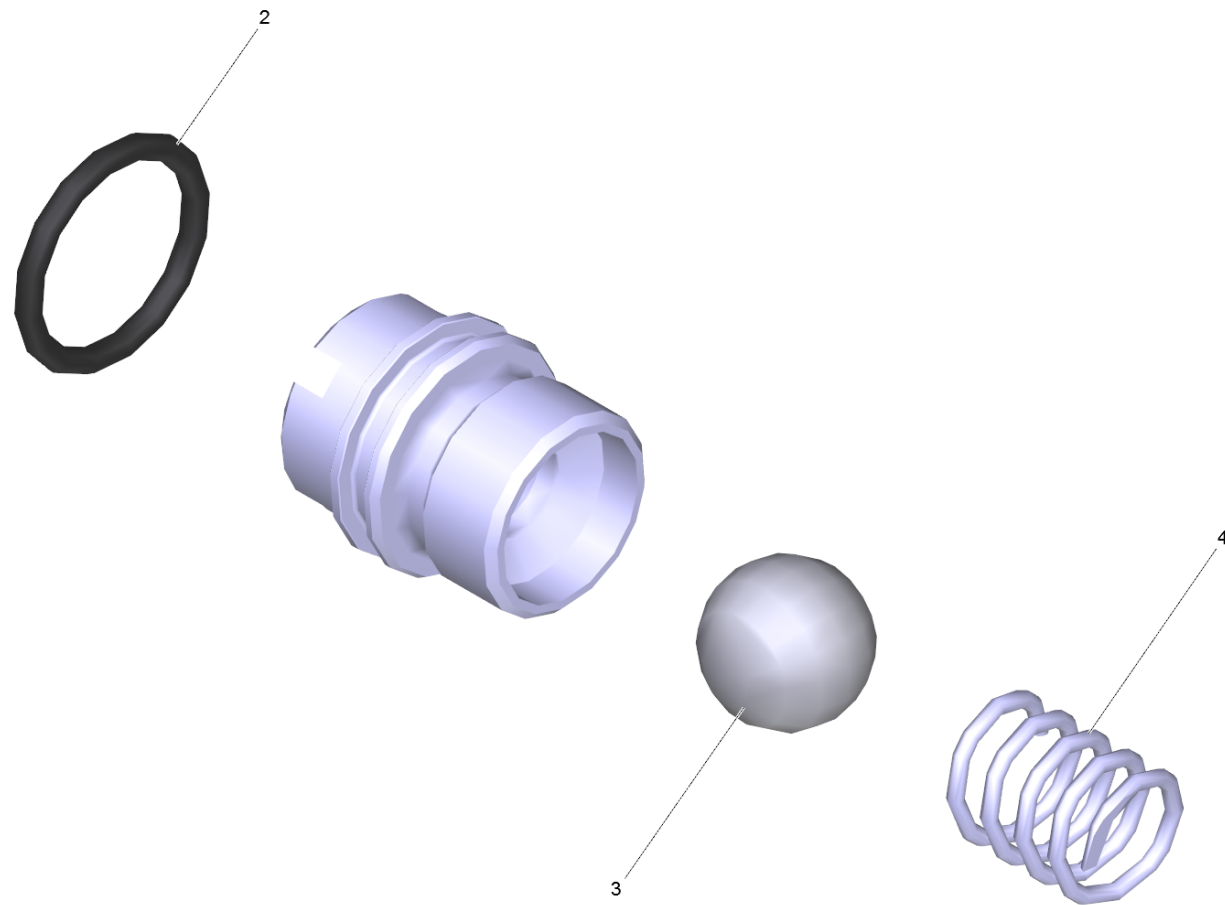
POS	Article no.	Description	Quantity	Unit
23	6.362-384.0	O-Ring seal 9x1,5 - NBR 70	2.000	ST

25 Spare part set (2.884-551.0)

POS	Article no.	Description	Quantity	Unit
44	6.362-365.0	O-Ring seal complete 1ST.-R.- 7,65X 1,7	1.000	ST
46	6.362-445.0	O-Ring seal 16,0 X 2,4-NBR 80	1.000	ST
47	6.362-575.0	O-Ring seal 12,42 KOMPL	1.000	ST
71	7.311-510.0	Hexagon nut M 8-8-A2E ISO 7040	1.000	ST
101	6.376-036.0	Label spare parts neutrally 65x55 MM	2.000	ZST

26 Spare part set overflow valve (2.884-550.0)

POS	Article no.	Description	Quantity	Unit
7	5.112-757.0	Bush	1.000	ST
16	5.332-530.0	Helical spring	1.000	ST
44	6.362-365.0	O-Ring seal complete 1ST.-R.- 7,65X 1,7	1.000	ST
46	6.362-445.0	O-Ring seal 16,0 X 2,4-NBR 80	1.000	ST
47	6.362-575.0	O-Ring seal 12,42 KOMPL	1.000	ST
71	7.311-510.0	Hexagon nut M 8-8-A2E ISO 7040	1.000	ST
145		Grease	0.010	G
151	6.376-036.0	Label spare parts neutrally 65x55 MM	2.000	ZST

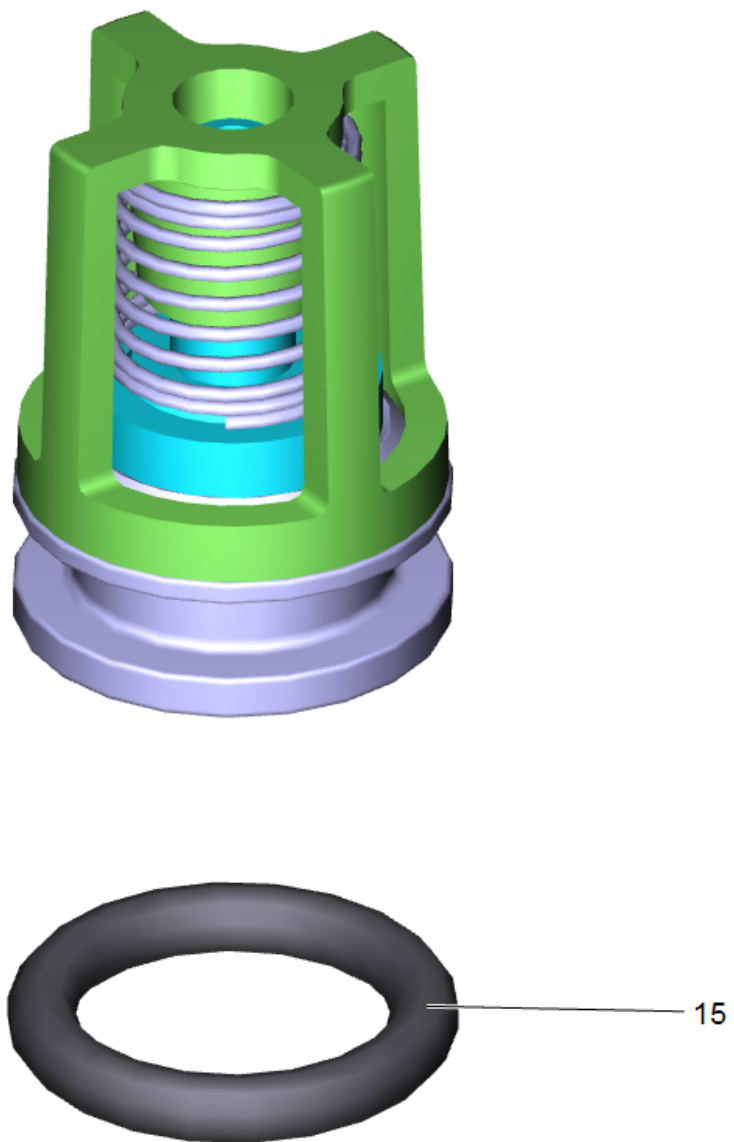


30 Valve seat complete (4.481-226.0)

POS	Article no.	Description	Quantity	Unit
2	6.362-858.0	O-Ring seal 11,0 X 1,5	1.000	ST
3	7.401-907.0	Sphere 3/8 G200-1.4301 DIN 5401	1.000	ST
4	5.332-999.0	Helical spring	1.000	ST

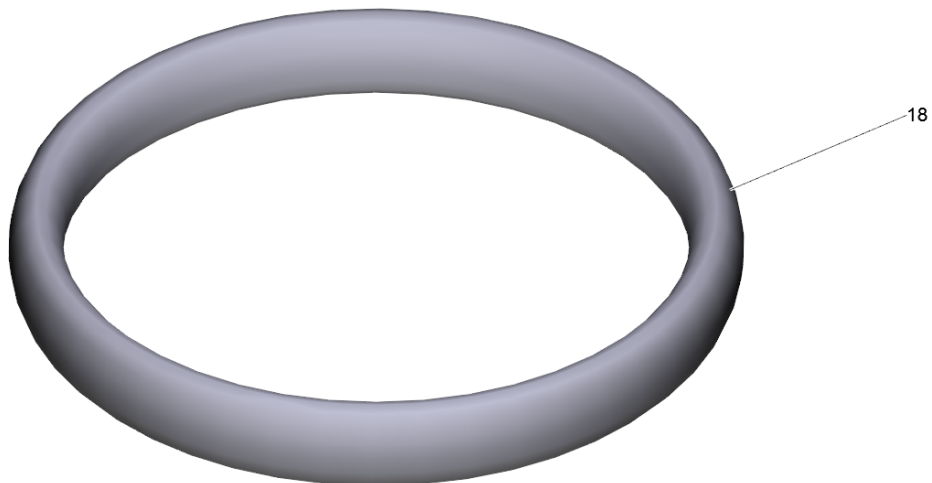
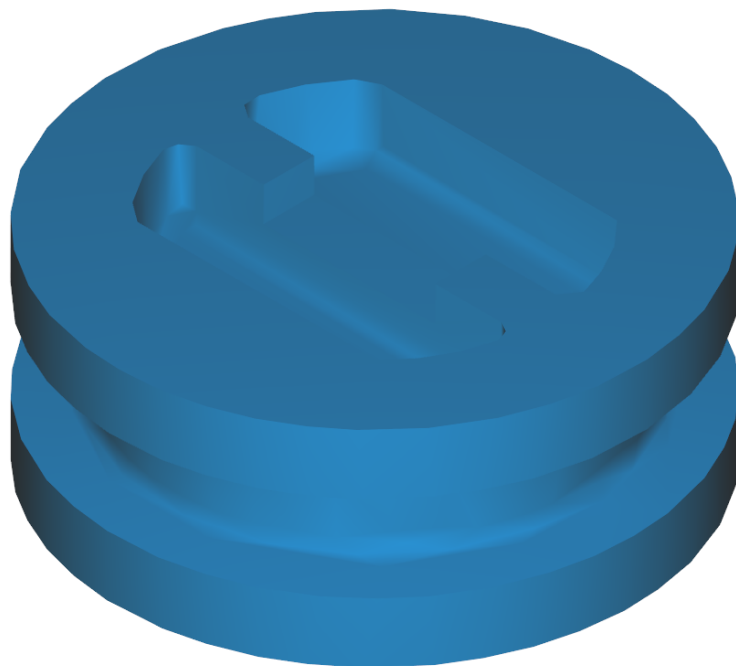
100 Pump set HD 7/18C (2.885-017.0)

POS	Article no.	Description	Quantity	Unit
1	2.884-916.0	Valve (3 Stück)	2.000	ST
2	5.115-465.0	Washer	3.000	ST
3	5.115-744.0	Washer	3.000	ST
4	6.362-384.0	O-Ring seal 9x1,5 - NBR 70	1.000	ST
5	6.365-340.0	Grooved ring 14X22X5/7	3.000	ST
6	6.365-432.0	Grooved ring 14x22x5.3	3.000	ST
7	4.132-007.0	Drain plug only for replacement	4.000	ST
8	6.362-376.0	O-Ring seal 24,0 X 1,5	3.000	ST
9	5.112-576.3	Bush	3.000	ST
10	6.365-434.0	Grooved ring 14x20x4	3.000	ST



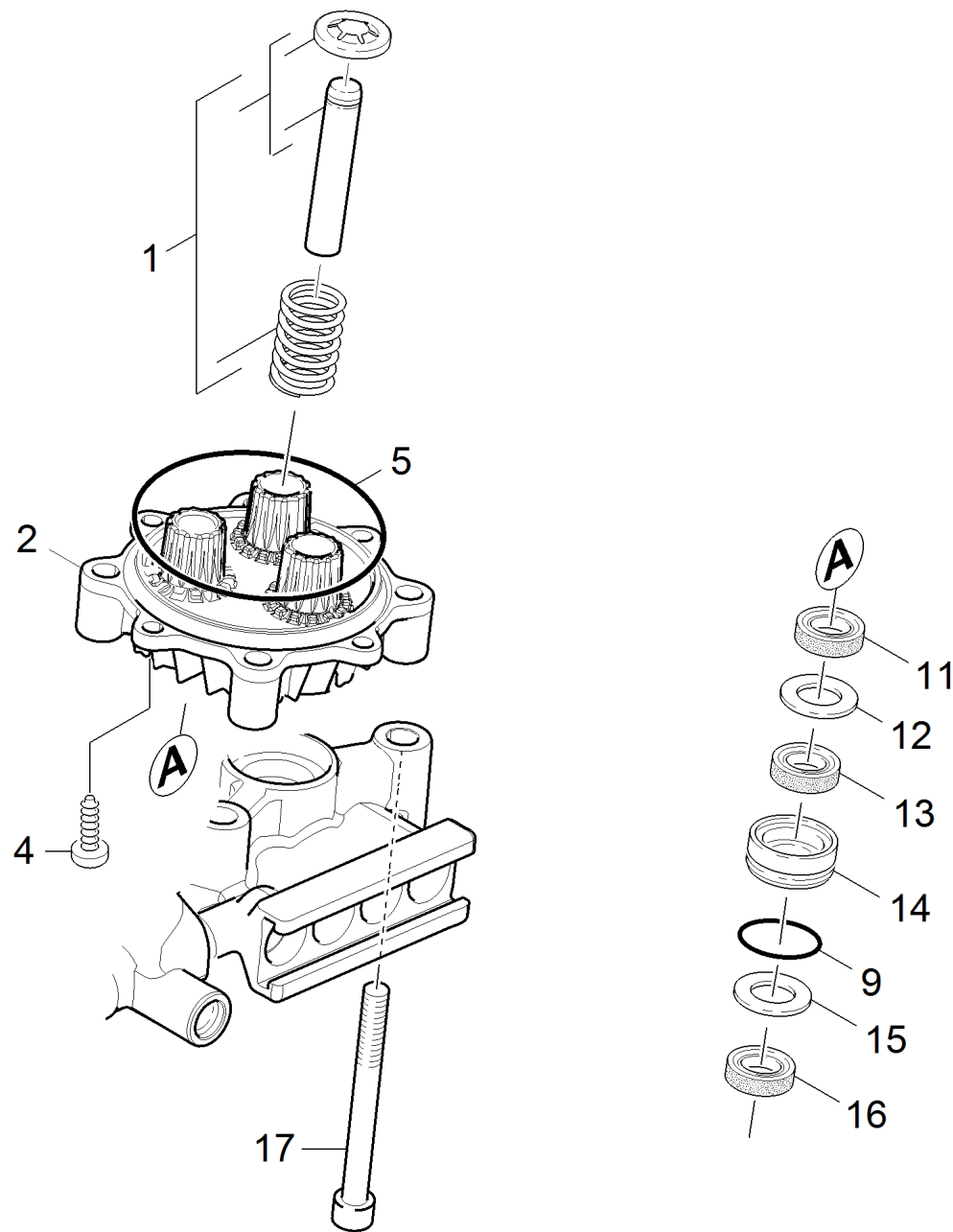
1 Valve (3 Stück) (2.884-916.0)

POS	Article no.	Description	Quantity	Unit
15	6.362-077.0	O-Ring seal 10 x 2,2 NBR 70	1.000	ST



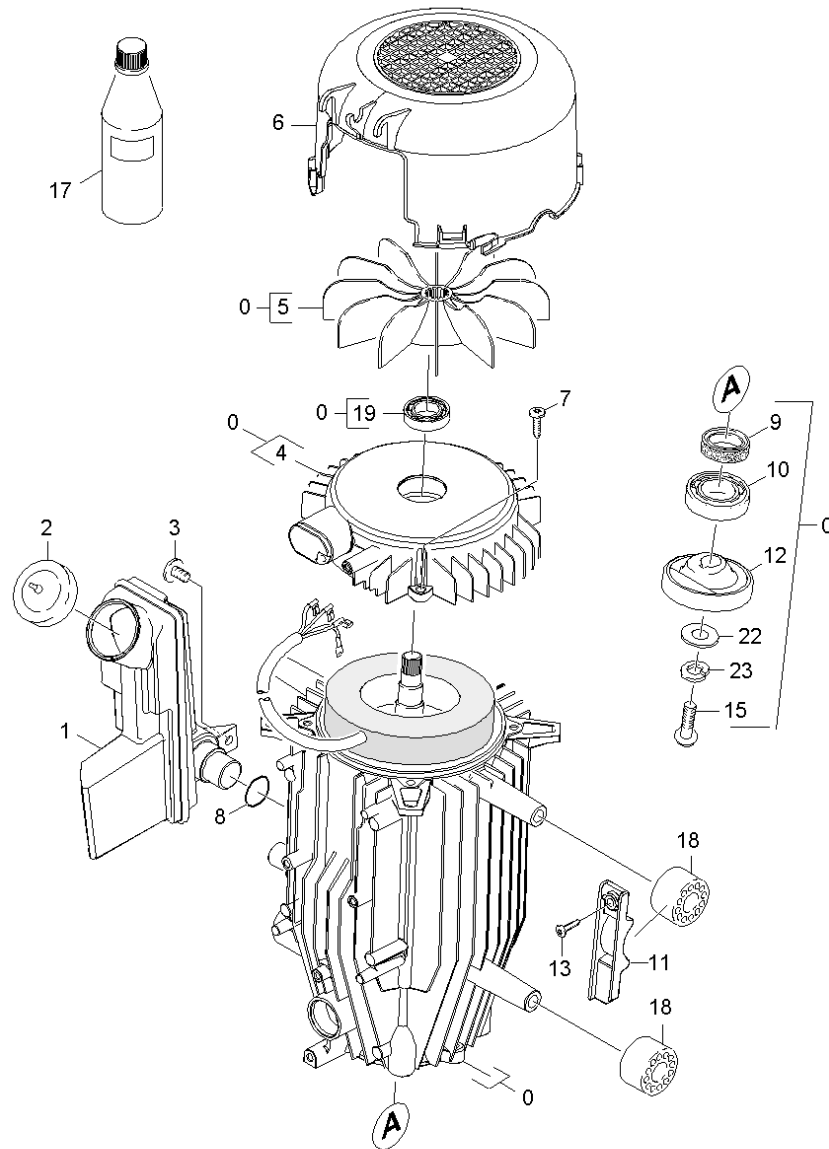
7 Drain plug only for replacement (4.132-007.0)

POS	Article no.	Description	Quantity	Unit
18	6.362-458.0	O-Ring seal 11,0x2,0-NBR 70	1.000	ST



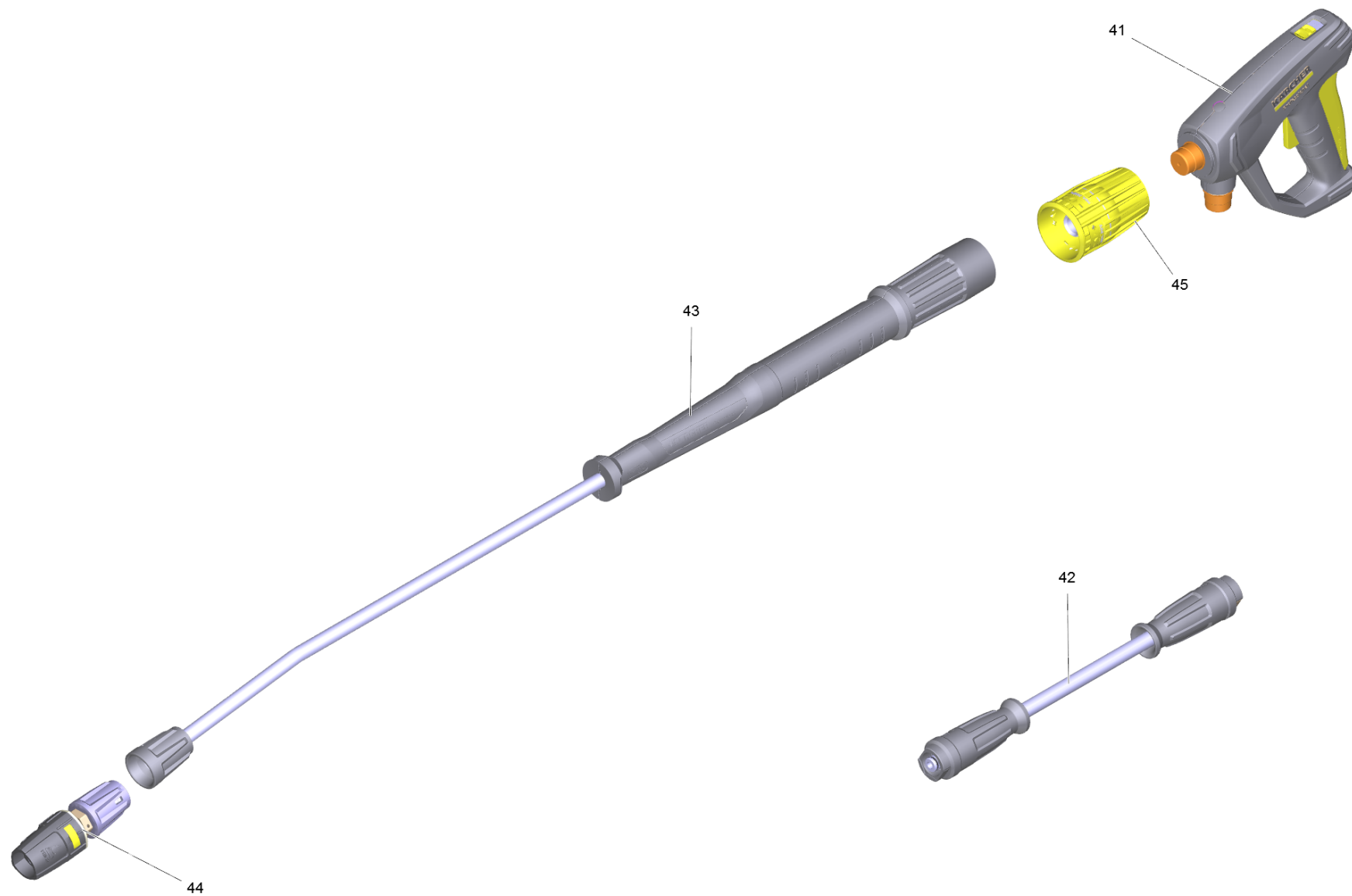
22 Thrust guidance

POS	Article no.	Description	Quantity	Unit
1	4.553-242.0	Piston complete	3.000	ST
2	5.062-754.3	Thrust guidance	1.000	ST
4	7.303-047.0	Screw M6x16 -St-R3R (In6Rd)	2.000	ST
5	6.363-077.0	O-Ring seal 75x3	1.000	ST
9	6.362-376.0	O-Ring seal 24,0 X 1,5	3.000	ST
11	6.365-340.0	Grooved ring 14X22X5/7	3.000	ST
12	5.115-744.0	Washer	3.000	ST
13	6.365-438.0	Compact seal	3.000	ST
14	5.112-576.3	Bush	3.000	ST
15	5.115-465.0	Washer	3.000	ST
16	6.365-432.0	Grooved ring 14x22x5.3	3.000	ST
17	7.306-106.0	Cylinder head screw M8x70 -8.8-A2E ISO4	4.000	ST



30 Motor

POS	Article no.	Description	Quantity	Unit
0	4.623-683.0	Motor complete	1.000	ST
1	5.070-639.0	Tank oil	1.000	ST
2	5.064-457.0	cover plate qusty grey oil	1.000	ST
3	6.303-153.0	Screw M5x15-ST-R2R (IN6RD)	1.000	ST
4	5.094-148.0	Bearing cover B	1.000	ST
5	5.600-060.0	Blower wheel	1.000	ST
6	5.692-081.0	Air circulation	1.000	ST
7	6.303-320.0	Screw M 5x 20-St-R2R	4.000	ST
8	6.362-161.0	O-Ring seal 19,3 X 2,4	1.000	ST
9	7.367-001.0	Radial shaft seal ring A24x37x7 -NBR DI	1.000	ST
10	6.401-427.0	Angular contact ball bearing	1.000	ST
11	5.802-288.0	Mounting part	2.000	ST
12	4.120-213.0	Wobble plate	1.000	ST
13	7.303-108.0	Screw 5x20 -10.9-R2R (In6Rd)	2.000	ST
15	7.306-042.0	Cylinder head screw M8x25 -8.8-A2E ISO4	1.000	ST
17	6.288-016.0	Gear oil 1L	1.000	ST
18	5.767-005.0	Rubber buffer	4.000	ST
19	7.401-128.0	Ball bearing 6202-2RS -Wälzl.St DIN 625	1.000	ST
22	7.312-277.0	Washer 8-200HV-A2E ISO7093-1	1.000	ST
23	7.313-004.0	Spring washer B 8-FSt-A3E DIN 127	1.000	ST

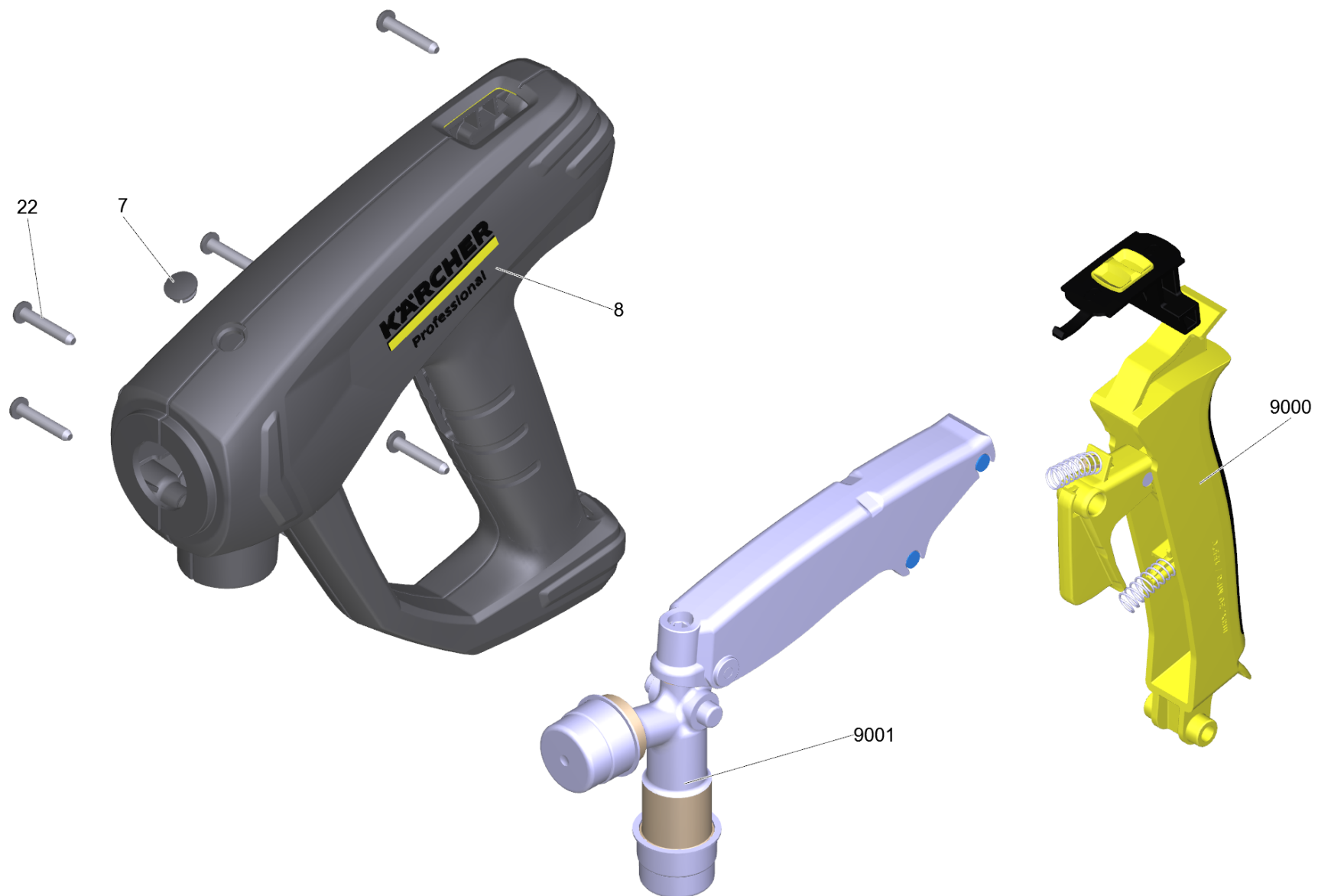


40 Accessories

POS	Article no.	Description	Quantity	Unit
41	4.118-005.0	EASY!Force Advanced	1.000	ST
42	6.110-034.0	Hose assembly TR DN6 25MPa 10m	1.000	ST
43	4.112-006.0	Jet pipe TR 840 mm	1.000	ST
44	4.117-033.0	Triple jet nozzle TR 040	1.000	ST
45	4.118-007.0	Rotary controller TR 270L	1.000	ST

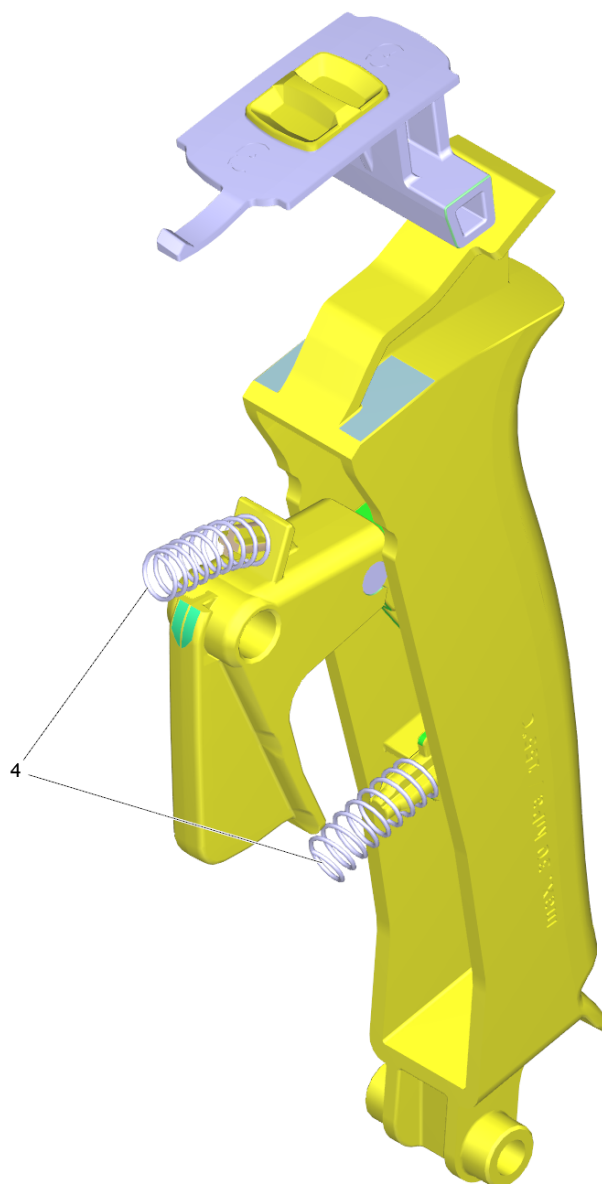
41 EASY!Force Advanced (4.118-005.0)

POS	Description	Quantity	Unit
1	Hand trigger gun TR EH 155	1.000	ST



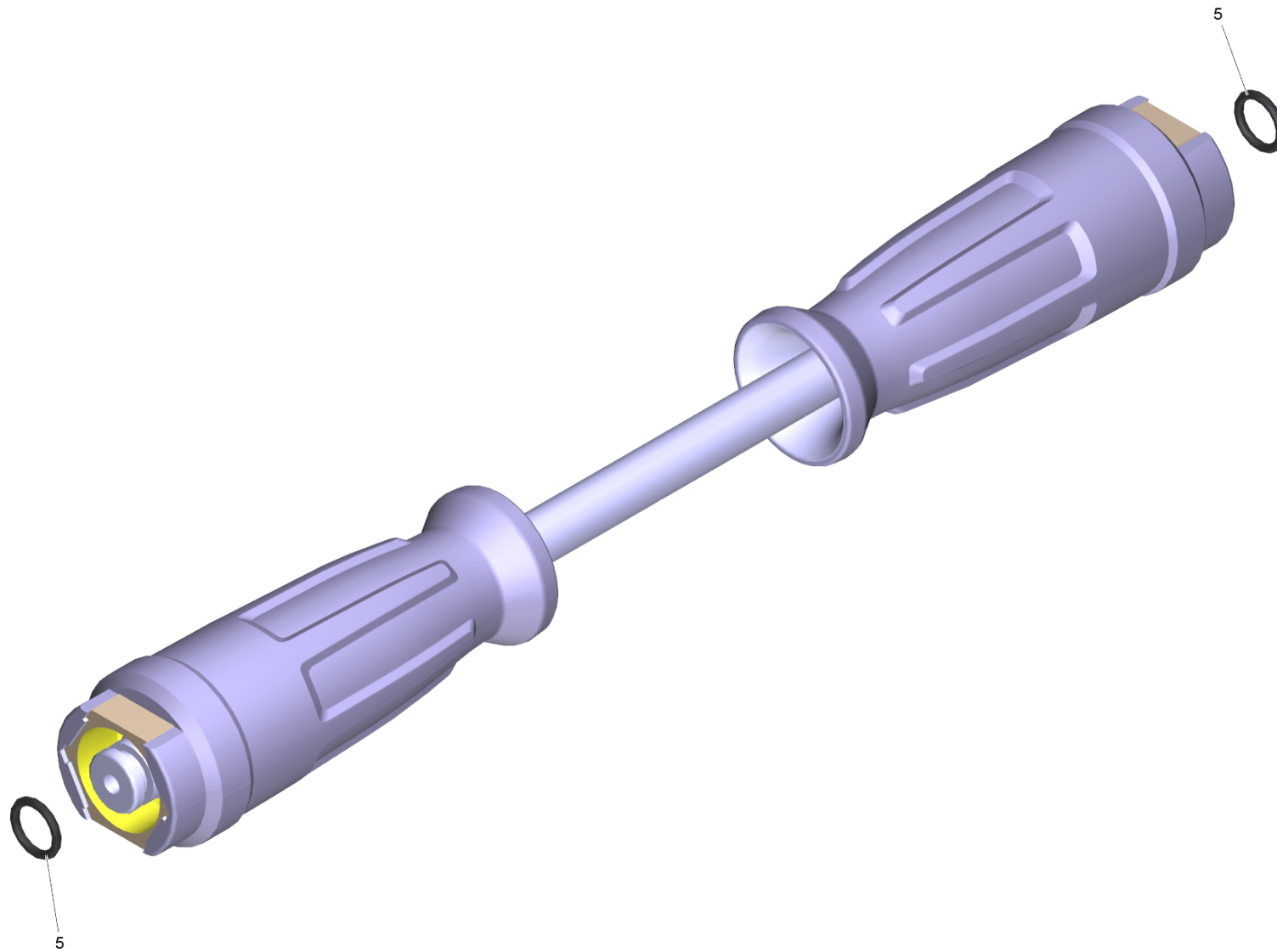
1 Hand trigger gun TR EH 155

POS	Article no.	Description	Quantity	Unit
7	5.132-001.0	Plug	1.000	ST
8	5.321-136.3	Handhold few EH 155 only for replacement	1.000	ST
22	7.303-096.0	Screw 4x22 -ST-10.9-R2R (IN6RD)	7.000	ST
9000	2.885-483.0	Spare part set lever	1.000	ST
9001	4.427-014.0	Manifold TR EH 155 nur fuer Ersatz	1.000	ST



9000 Spare part set lever (2.885-483.0)

POS	Article no.	Description	Quantity	Unit
4	5.332-032.0	Helical spring	2.000	ST

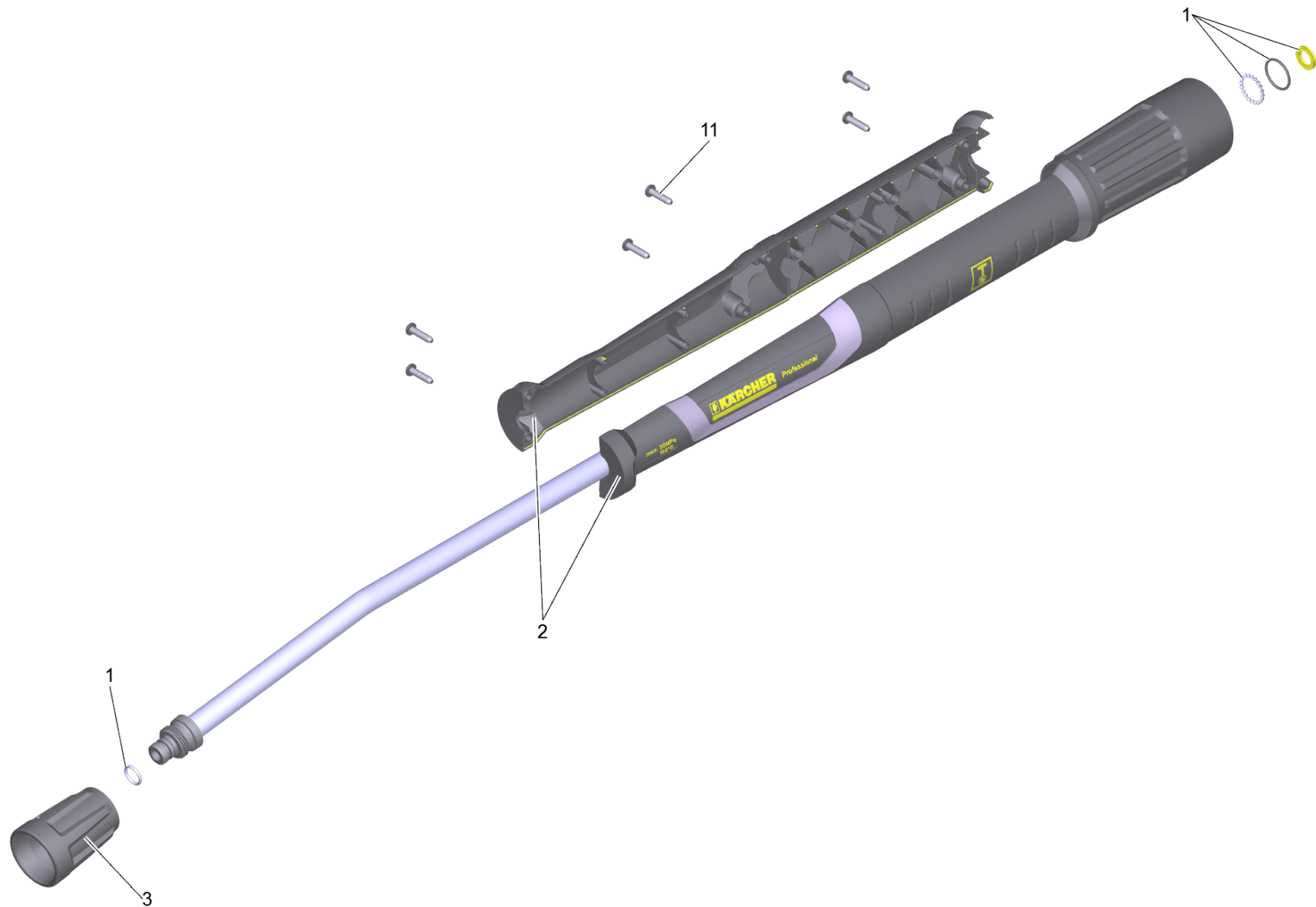


42 Hose assembly TR DN6 25MPa 10m (6.110-034.0)

POS	Article no.	Description	Quantity	Unit
5	2.880-154.0	O-Ring kit	1.000	ST

43 Jet pipe TR 840 mm (4.112-006.0)

POS	Description	Quantity	Unit
1	Jet pipe TR 840 mm	1.000	ST

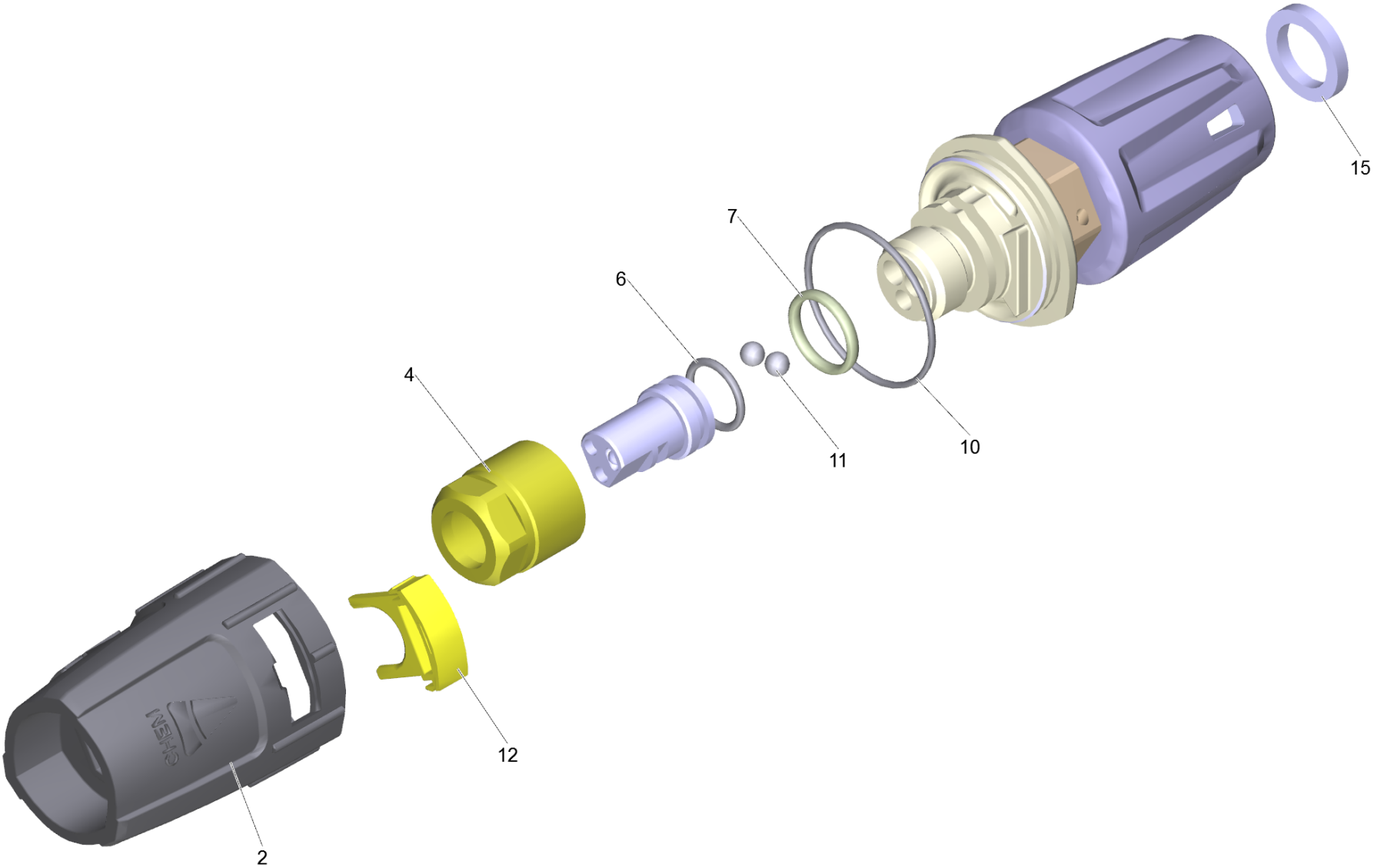


1 Jet pipe TR 840 mm

POS	Article no.	Description	Quantity	Unit
1	4.100-688.0	Spare part set seal TR	1.000	ST
2	5.321-018.3	Handle bowl jet pipe only for replacemen	1.000	ST
3	4.112-011.0	Protection part TR only for replacement	1.000	ST
11	7.303-129.0	Screw 4x16 -10.9-R2R (K-In6Rd)	6.000	ST

44 Triple jet nozzle TR 040 (4.117-033.0)

POS	Description	Quantity	Unit
1	Triple jet nozzle TR 040	1.000	ST

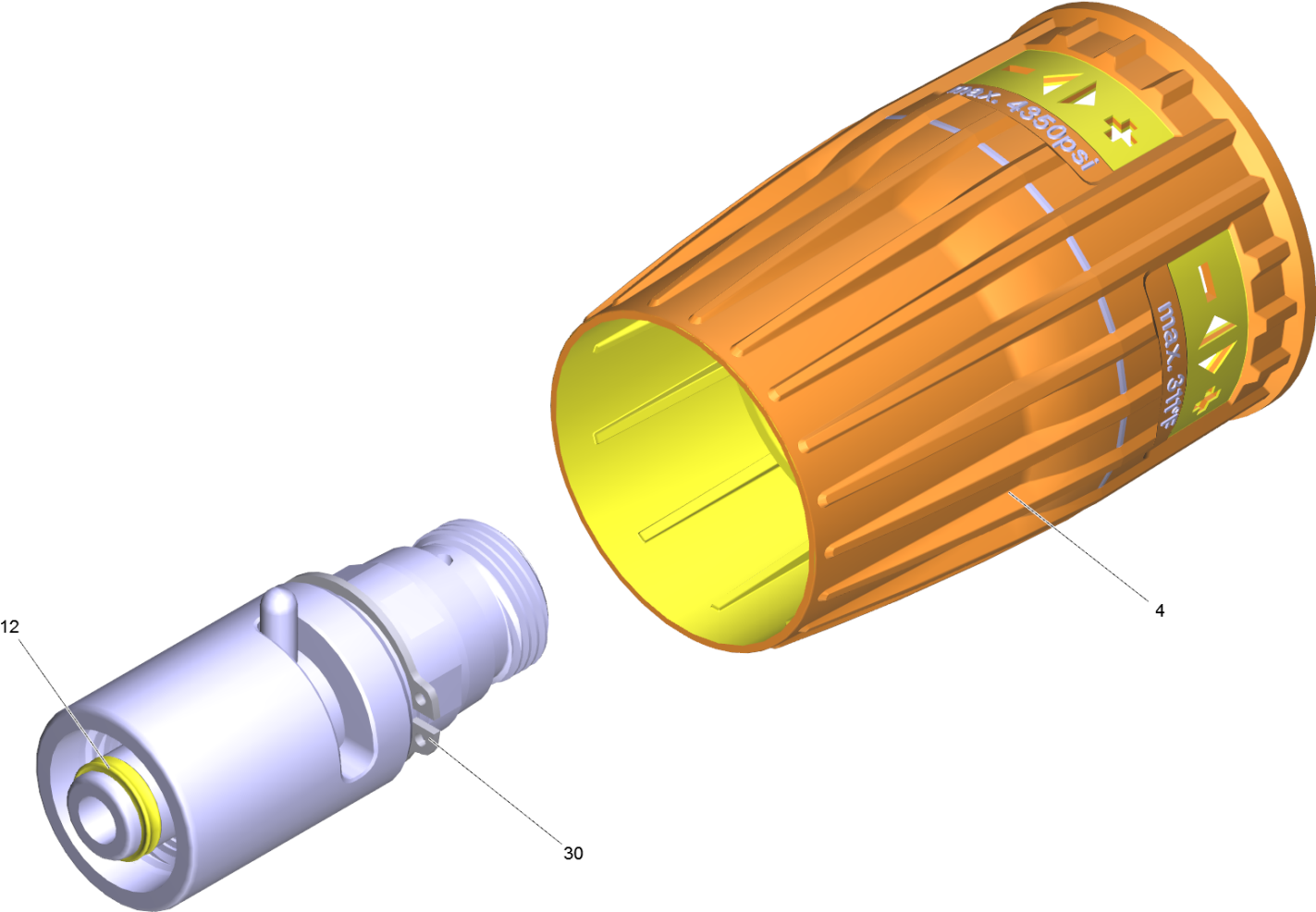


1 Triple jet nozzle TR 040

POS	Article no.	Description	Quantity	Unit
2	5.394-859.0	Protection part	1.000	ST
4	5.311-225.0	Nut	1.000	ST
6	6.362-480.0	O-Ring seal 12,42x 1,78	1.000	ST
7	6.362-460.0	O-Ring seal 14,0 X 2,5-NBR 70	1.000	ST
10	6.362-409.0	O-Ring seal 32,0 X 1,5	1.000	ST
11	7.401-902.0	Sphere 5 G20 -1.4034 DIN 5401	2.000	ST
12	5.321-884.0	Clamp	1.000	ST
15	6.363-696.0	Brake ring 14x20x3	1.000	ST

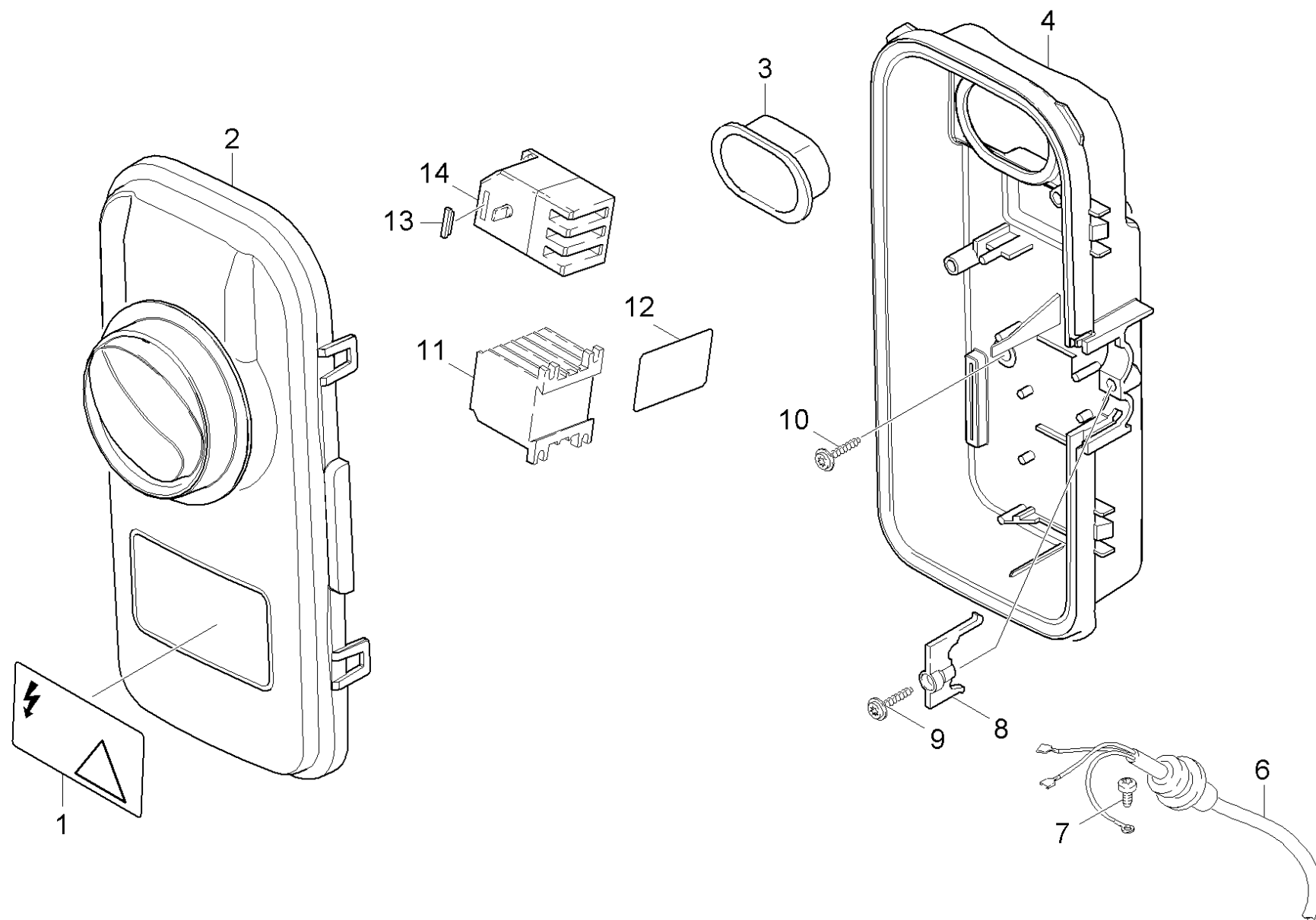
45 Rotary controller TR 270L (4.118-007.0)

POS	Description	Quantity	Unit
1	Rotary controller TR 270L	1.000	ST



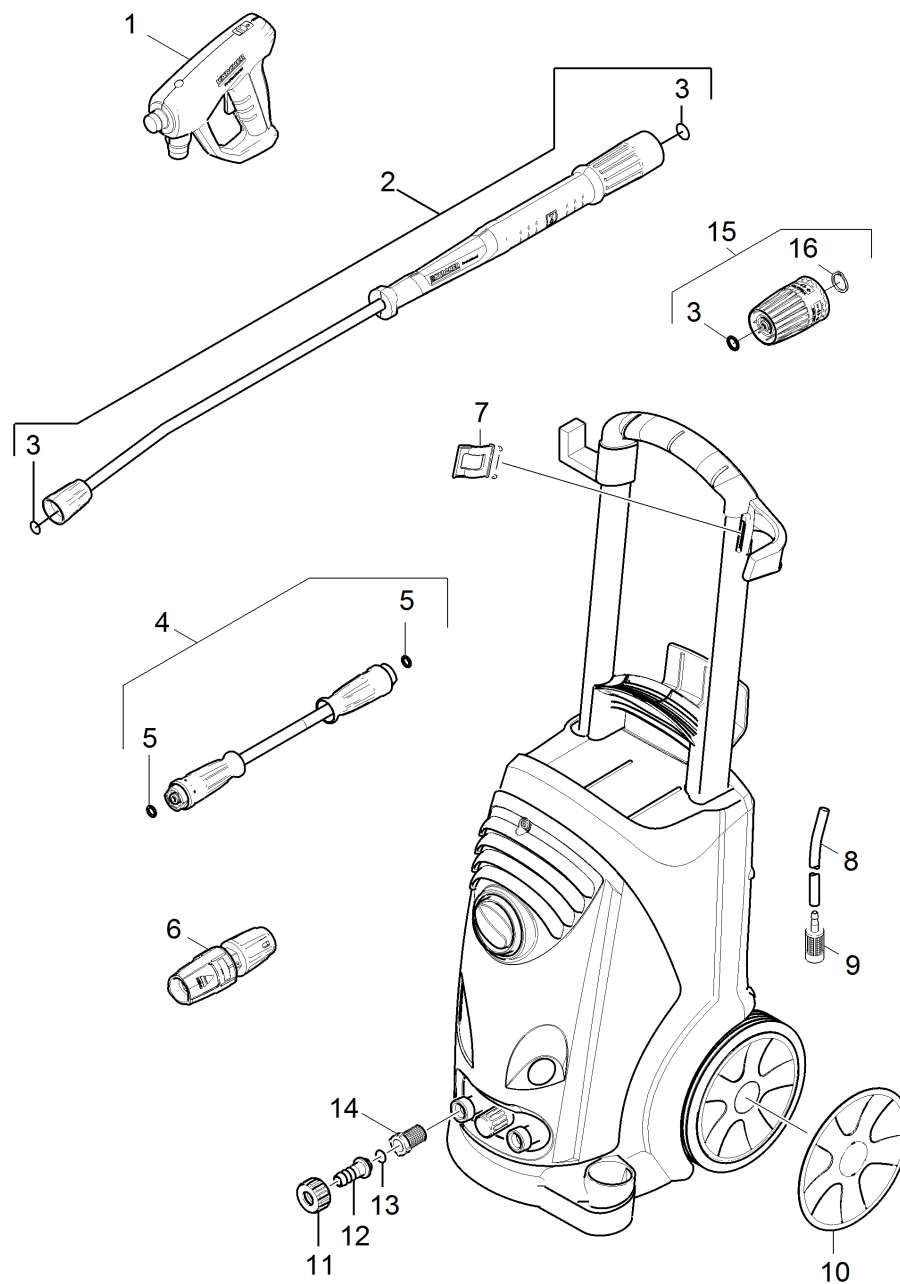
1 Rotary controller TR 270L

POS	Article no.	Description	Quantity	Unit
4	5.321-364.3	Handhold rotary controller	1.000	ST
12	2.880-001.0	Spare part set seals TR	1.000	ST
30	7.343-069.0	Locking ring 25x1,2-1.4122 DIN 471	1.000	ST



50 Electric box

POS	Article no.	Description	Quantity	Unit
1	5.388-512.0	Label	1.000	ST
2	4.063-910.0	Cover complete only for replacement	1.000	ST
3	5.365-181.0	Profile gasket	1.000	ST
4	5.061-000.0	Housing	1.000	ST
6	6.649-134.0	Cable with plug	1.000	ST
7	7.303-031.0	Screw M4x10 -St-P2R (In6Rd)	1.000	ST
8	5.263-051.0	Tensioning part	1.000	ST
9	7.303-109.0	Screw 5x25 -10.9-R2R (In6Rd)	1.000	ST
10	6.303-153.0	Screw M5x15-ST-R2R (IN6RD)	3.000	ST
11	6.632-173.0	Contactora 4,0KW/400V	1.000	ST
12	5.048-251.0	Plate	1.000	ST
13	6.630-049.0	Cap	1.000	ST
14	6.631-190.0	Motor protecting switch	1.000	ST



1020 Short spare parts list

POS	Article no.	Description	Quantity	Unit	Foot note text
1	4.118-005.0	EASY!Force Advanced	1.000	ST	
2	4.112-006.0	Jet pipe TR 840 mm	1.000	ST	
3	2.880-001.0	Spare part set seals TR	1.000	ST	
4	6.110-034.0	Hose assembly TR DN6 25MPa 10m	1.000	ST	
5	2.880-154.0	O-Ring kit	1.000	ST	
6	4.117-033.0	Triple jet nozzle TR 040	1.000	ST	
7	5.044-216.0	Holder	1.000	ST	
8	6.388-216.0	Hose DN 5	1.000	M	TO ORDER AS CUT GOODS
9	5.731-652.0	Filter with weight	1.000	ST	
10	4.515-323.0	Spare parts set wheel cap basalt grey RA	1.000	ST	
11	5.310-065.0	Nut	1.000	ST	
12	5.443-229.0	Hose stem	1.000	ST	
13	6.362-078.0	O-Ring seal 13,3x2,4	1.000	ST	
14	6.414-252.0	Strainer	1.000	ST	
15	4.118-007.0	Rotary controller TR 270L	1.000	ST	
16	7.343-069.0	Locking ring 25x1,2-1.4122 DIN 471	1.000	ST	