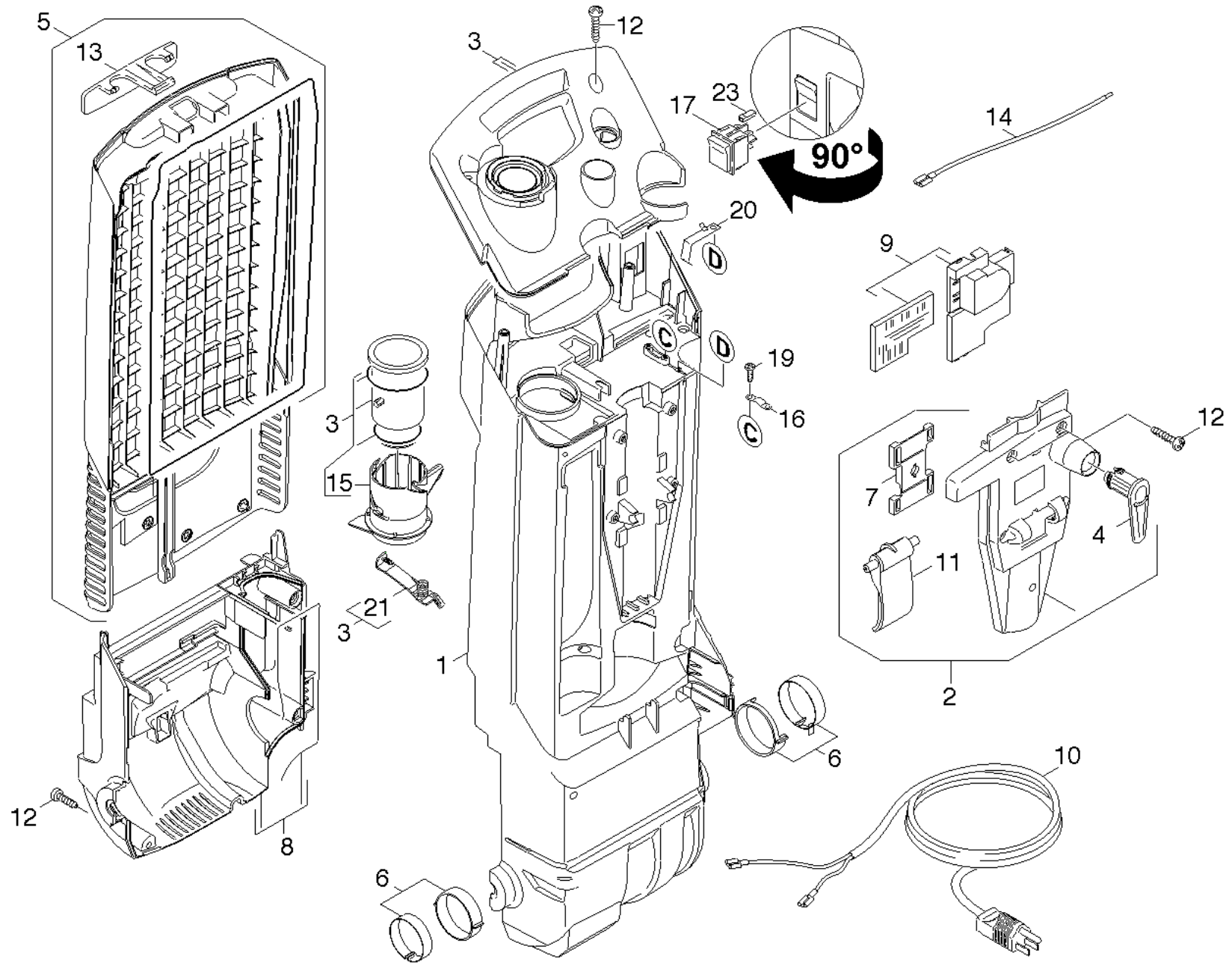


12 Appliance top part

Professional \ Vacuum cleaner \ Dry vacuum cleaner \ CV 38/2 \ Spare parts list CV 38/2, CV 48/2 \ Top part \ Appliance top part



12 Appliance top part

Professional \ Vacuum cleaner \ Dry vacuum cleaner \ CV 38/2 \ Spare parts list CV 38/2, CV 48/2 \ Top part \ Appliance top part

KÄRCHER

POS	Article no.	Description	Quantity	Unit
4	5.044-661.0	Catch for cable yellow	1.000	ST
9	4.682-001.0	Circuit board only for replacement CV30/	1.000	ST
7	5.032-448.0	CLAMP	1.000	ST
16	6.903-241.0	Clamp clip	1.000	ST
11	5.481-345.0	Clamp lever	1.000	ST
13	5.075-030.0	Closure cover	1.000	ST
5	4.064-016.0	Cover complete	1.000	ST
2	4.032-003.0	Covering cap complete only for replaceme	1.000	ST
3	4.032-004.0	Covering cap electric	1.000	ST
8	4.053-224.0	Covering cap motor complete nur fuer Ers	1.000	ST
14	4.839-411.0	Electrical small parts CV 38/2, CV 48/2	1.000	ST
1	5.060-991.0	Housing	1.000	ST
23	6.647-748.0	Insulation sheath	2.000	ST
15	5.481-352.0	OPERATING LEVER	1.000	ST
10	4.649-026.0	Power cable nur fuer Ersatz	1.000	ST
17	6.630-156.0	Rocker switch black	1.000	ST
19	6.303-318.0	Screw 3,5x12-10.9-R2R (IN6RD)	2.000	ST
12	7.303-108.0	Screw 5x20 -10.9-R2R (In6Rd)	9.000	ST
6	2.889-076.0	Set bearing shells	1.000	ST
21	4.332-008.0	Spring connection piece completely	1.000	ST
20	5.034-689.0	Spring earthing	1.000	ST