

Spare parts list

(1.150-932.0) HD 6/15 M Plus *EU

Table of contents

HD 6/15 M Plus *EU (1.150-932.0)	3
Spare parts list HD 6/15 M Plus	4
20 Unit HD 6/15 M	6
10 Pump set HD 6/15 M *EU (D128)	8
1 HOUSING	11
3 Set motor complete HD 6/15 M *EU (4.100-634.0)	13
1 Motor complete HD 6/15 M *EU (D128)	15
4 Cylinder head complete HD-M TK45 D12	17
1 Valve (3 Stück) from 2.885-299.0 (2.884-916.0)	19
3 Water intake complete	21
10 Spare part (4.132-007.0)	23
21 Valve pin complete (4.584-022.0)	25
900 Pump set HD-M (2.883-067.0)	27
1 Valve (3 Stück) from 2.885-299.0 (2.884-916.0)	29
9 Valve pin complete (4.584-022.0)	31
10 Spare part (4.132-007.0)	33
33 Module shearing shackle complete HD-M	35
21 EASY!Force Advanced (4.118-005.0)	37
1 Hand trigger gun TR EH 155	38
9000 Spare part set lever (2.885-483.0)	40
22 Jet pipe TR 840 mm (4.112-006.0)	42
1 Jet pipe TR 840 mm	43
23 Hose assembly TR drehbar DN6 30MPa 10m (6.110-056.0)	45
1 Hose assembly TR rotatable DN6 30MPa 10m	46
25 Power nozzle TR 25033 (2.113-063.0)	48
10 Short spare parts list	50

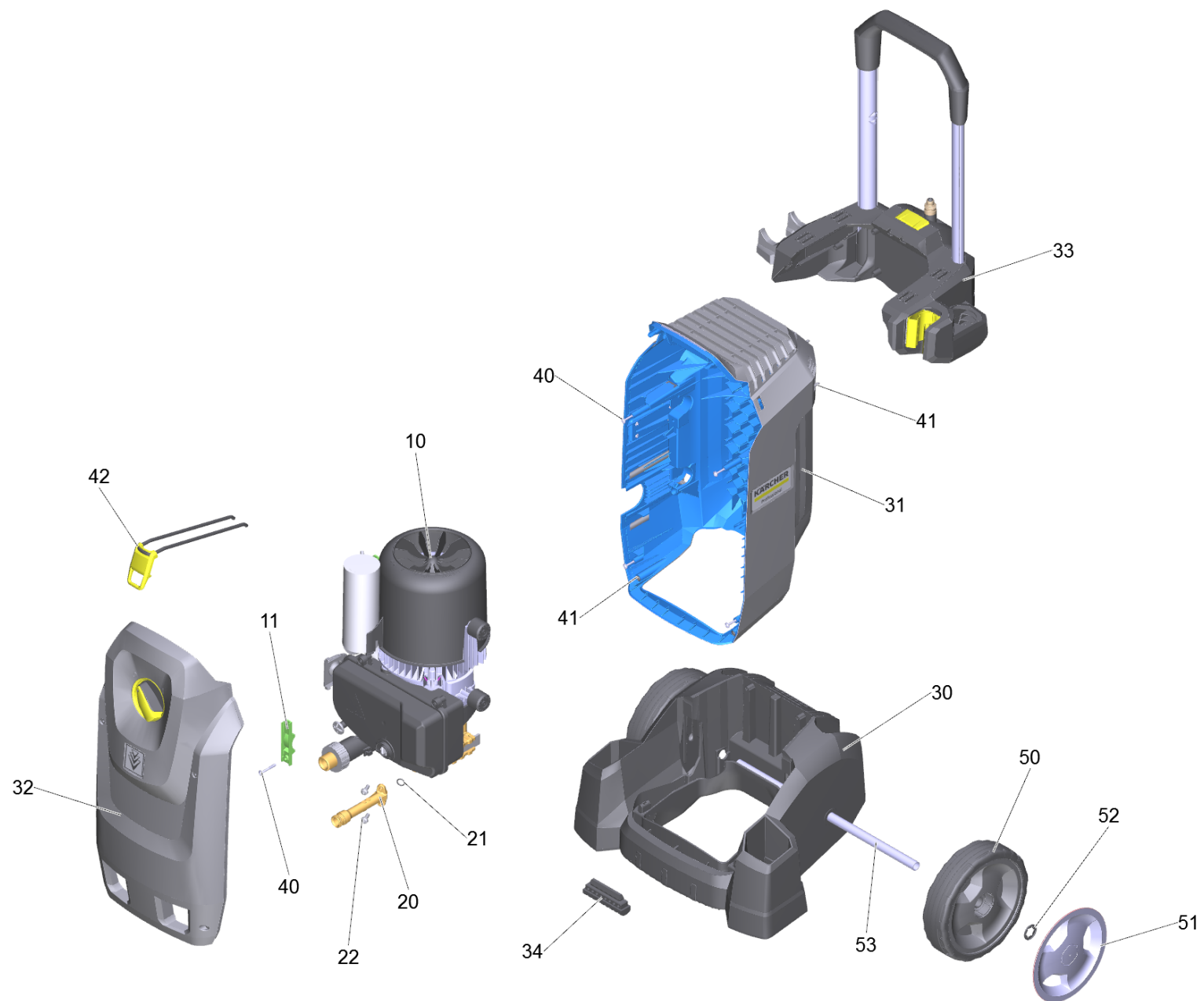
HD 6/15 M Plus *EU (1.150-932.0)

POS	Apraksts	Quantity	Unit
0	Service manual HD-M	1.000	ST
10	Short spare parts list	1.000	ST
0	Spare parts list HD 6/15 M Plus	1.000	ST



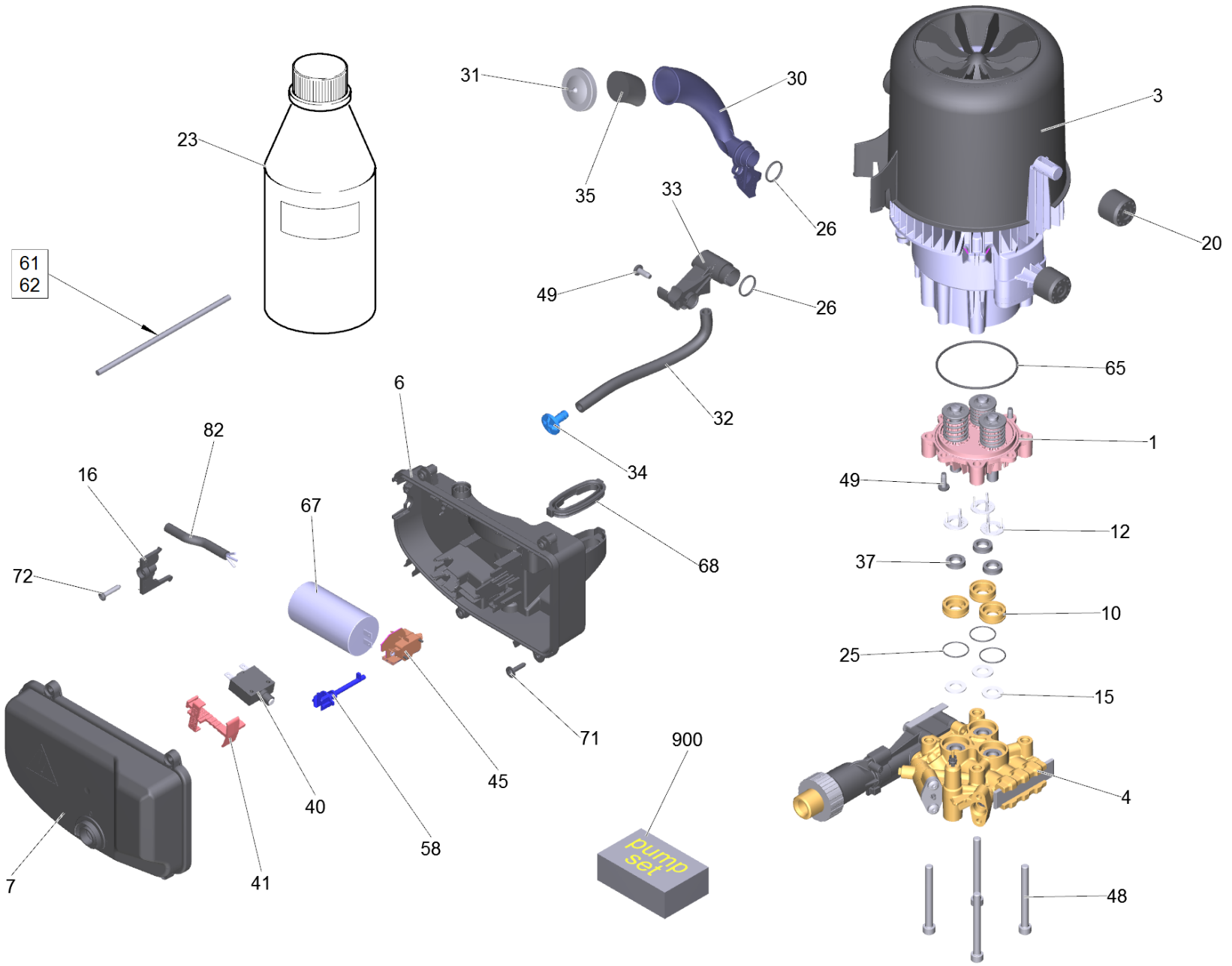
Spare parts list HD 6/15 M Plus

POS	Preces Nr.	Apraksts	Quantity	Unit
24	6.465-031.0	connection	1.000	ST
26	4.114-019.0	Dirt blaster TR 035 LowEnd	1.000	ST
21	4.118-005.0	EASY!Force Advanced	1.000	ST
23	6.110-056.0	Hose assembly TR drehbar DN6 30MPa 10m	1.000	ST
22	4.112-006.0	Jet pipe TR 840 mm	1.000	ST
25	2.113-063.0	Power nozzle TR 25033	1.000	ST
20		Unit HD 6/15 M	1.000	ST
6	5.387-620.0	Warning sticker-Prevent from freezing	1.000	ST



20 Unit HD 6/15 M

POS	Preces Nr.	Apraksts	Quantity	Unit
53	5.105-128.0	Axle	1.000	ST
30	5.034-144.3	Chassis for replacement	1.000	ST
21	6.362-151.0	Gredzenblīve 10 x 2 NBR 70	1.000	ST
20	5.789-078.3	High-pressure outlet for replacement 25°	1.000	ST
33		Module shearing shackle complete HD-M	1.000	ST
11	5.802-288.0	Mounting part	2.000	ST
10		Pump set HD 6/15 M *EU (D128)	1.000	ST
40	6.961-049.0	Screw	6.000	ST
22	7.306-090.0	Screw M6x16 -8.8-R3R (In6Rd)	2.000	ST
32	4.100-632.0	Set cover for replacement HD-M	1.000	ST
31	4.100-637.0	Set housing for replacement	1.000	ST
41	7.303-108.0	Skrūve 5x20 -10.9-R2R (In6Rd)	10.000	ST
52	6.343-168.0	Sprostpaplāksne	2.000	ST
34	5.057-062.0	Stiprinājums	2.000	ST
42	4.060-039.0	Tensioning rope complete	1.000	ST
51	5.515-093.0	Wheel cap large RAL 7012	2.000	ST
50	5.515-222.3	Wheel for replacement D205	2.000	ST

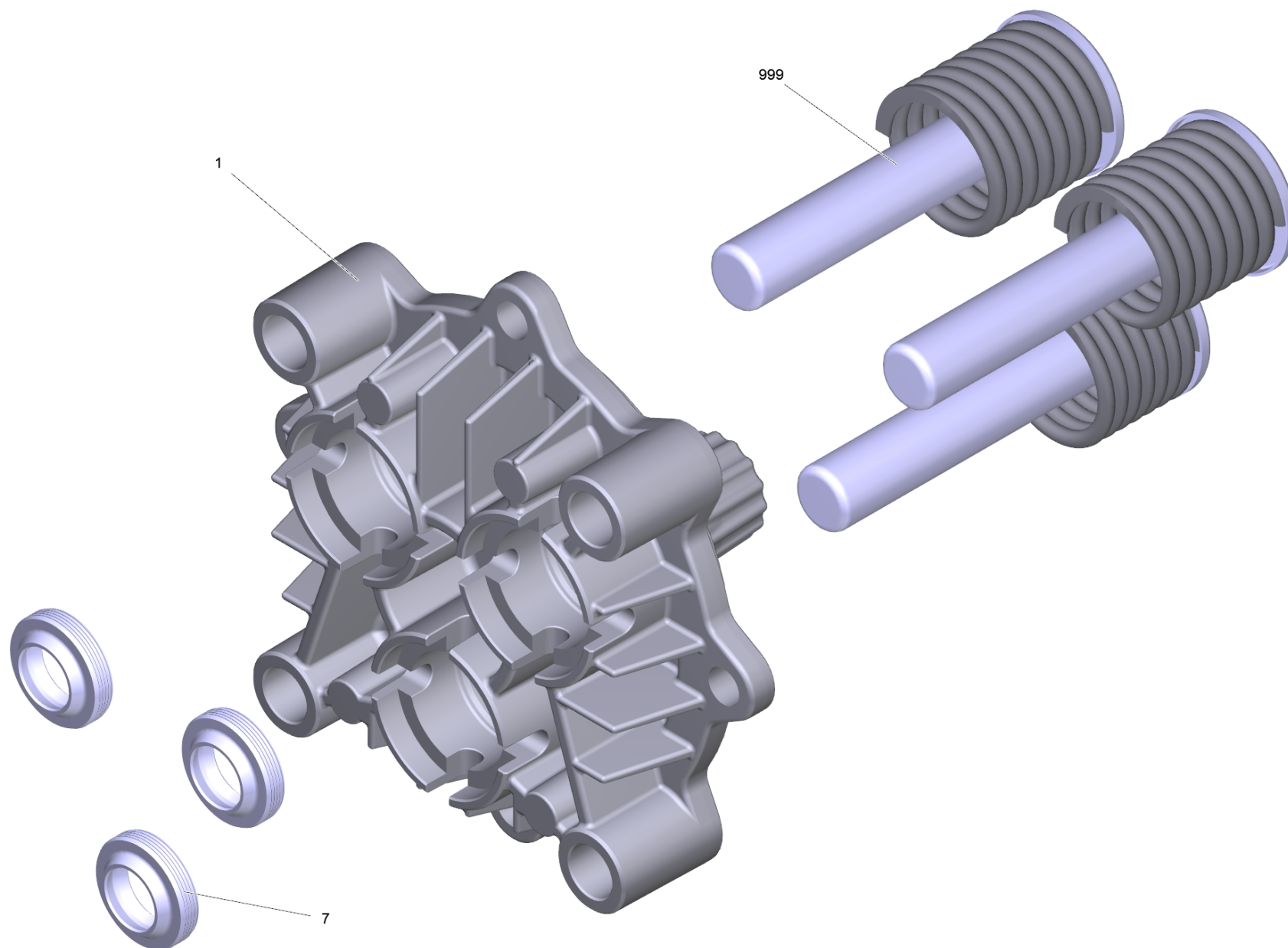


10 Pump set HD 6/15 M *EU (D128)

POS	Preces Nr.	Apraksts	Quantity	Unit
34	5.443-030.0	Blind plug drain hose oil	1.000	ST
10	5.112-726.0	Bukse	3.000	ST
61	6.641-027.0	Cable 1x1,5mm ² SW/BK	180.000	M
82	6.650-655.3	Cable with plug for replacement *EU	1.000	ST
7	5.064-430.0	Cover electric box	1.000	ST
31	5.064-454.0	Cover qusty grey	1.000	ST
4		Cylinder head complete HD-M TK45 D12	1.000	ST
48	7.306-242.0	cylinder head screw	4.000	ST
6	5.811-139.0	Electric box	1.000	ST
26	6.362-161.0	Gredzenblīve 19,3 X 2,4	2.000	ST
25	6.362-376.0	Gredzenblīve 24,0 X 1,5	3.000	ST
37	6.365-477.0	Gredzens ar gropi 12x20x5,3/2,8	3.000	ST
20	5.767-005.0	Gumijas buferis	4.000	ST
32	6.389-610.0	Hose	205.000	M
33	5.443-029.0	Hose stem drain hose oil	1.000	ST
1		HOUSING	1.000	ST
67	6.661-298.0	Kondensators 30 mF	1.000	ST
45	6.961-000.0	Mikroslēdzis	1.000	ST
65	6.363-077.0	O-Ring seal 75x3	1.000	ST
30	5.070-176.0	Oil container	1.000	ST
15	5.115-721.0	Paplāksne	3.000	ST
35	5.132-187.0	Plug	1.000	ST
900	2.883-067.0	Pump set HD-M	1.000	ST
62	6.649-026.0	Receptacles for tabs 6,3-1,5	2.000	ST
40	6.630-825.0	Safety switch E-T-A 1659 (20A)	1.000	ST
71	6.303-125.0	Screw 5x20-Sonder In6Rd+Spitze	4.000	ST
49	7.303-047.0	Screw M6x16 -St-R3R (In6Rd)	3.000	ST
68	5.363-761.0	Seal label	1.000	ST
58	5.100-990.0	Selector shaft electric box 68mm	1.000	ST
3	4.100-634.0	Set motor complete HD 6/15 M *EU	1.000	ST
72	7.303-086.0	Skrūve 5x30 -10.9-R2R (K-In6Rd)	1.000	ST
41	5.045-071.0	Slider E-T-A	1.000	ST
12	5.116-456.3	Supporting disk for replacement D12	3.000	ST

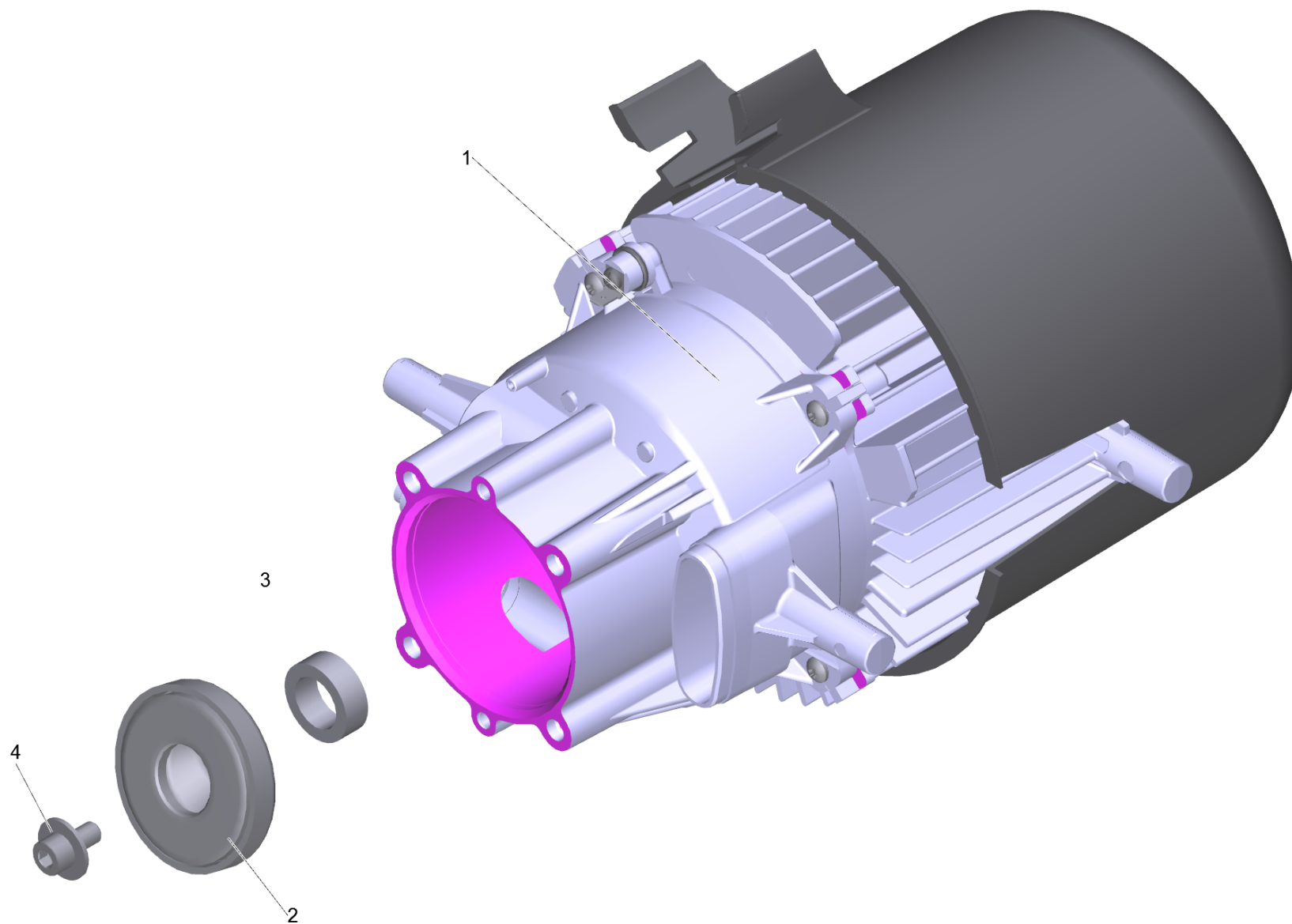
10 Pump set HD 6/15 M *EU (D128)

POS	Preces Nr.	Apraksts	Quantity	Unit
16	5.263-003.0	Tensioning part	1.000	ST
23	6.288-050.0	Transmisijas eļļa 1 l	1.000	ST



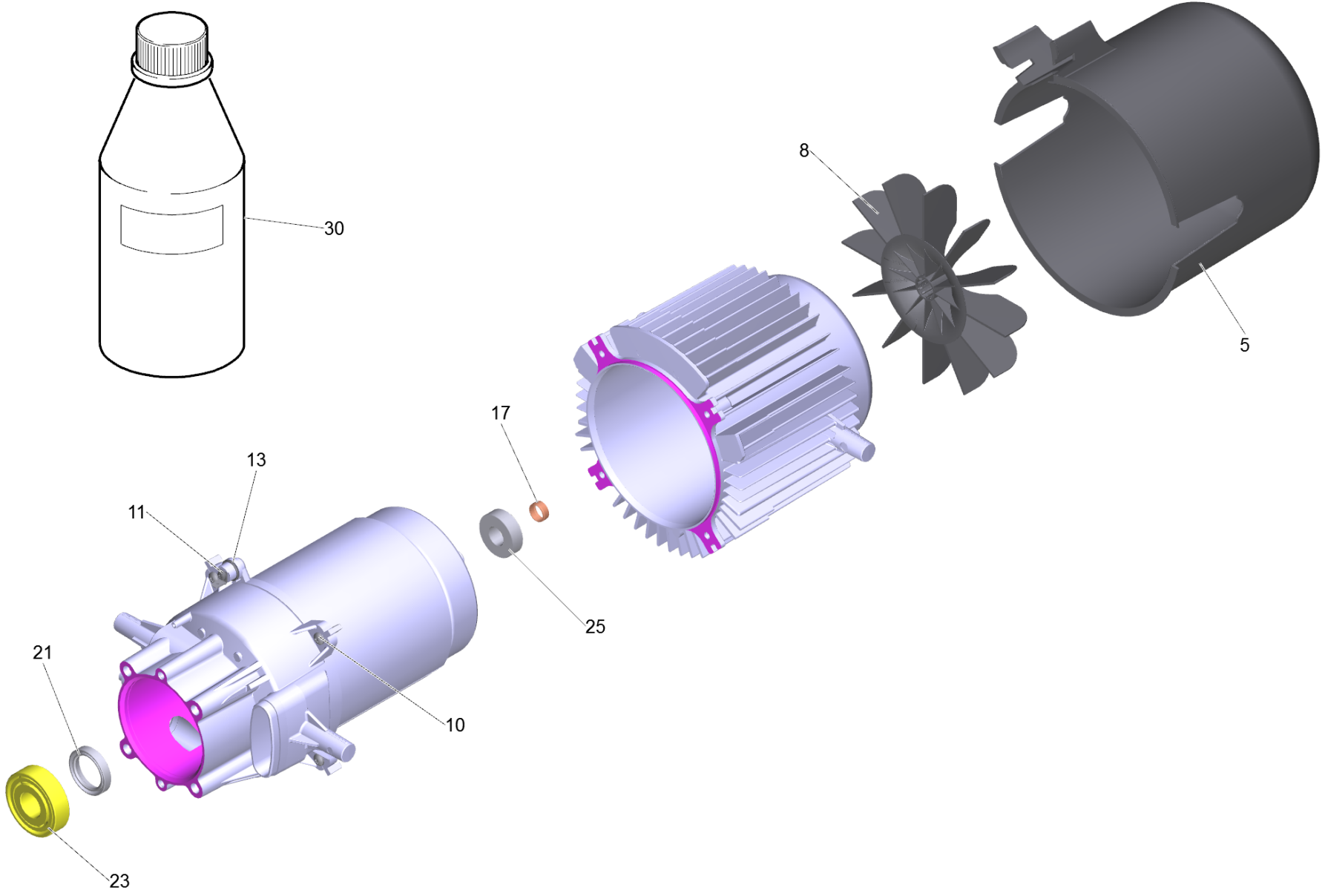
1 HOUSING

POS	Preces Nr.	Apraksts	Quantity	Unit
7	6.365-001.0	Grooved ring	3.000	ST
999	4.553-231.0	Piston complete only for replacement	3.000	ST
1	5.061-018.3	Taisnvirziena vadozne	1.000	ST



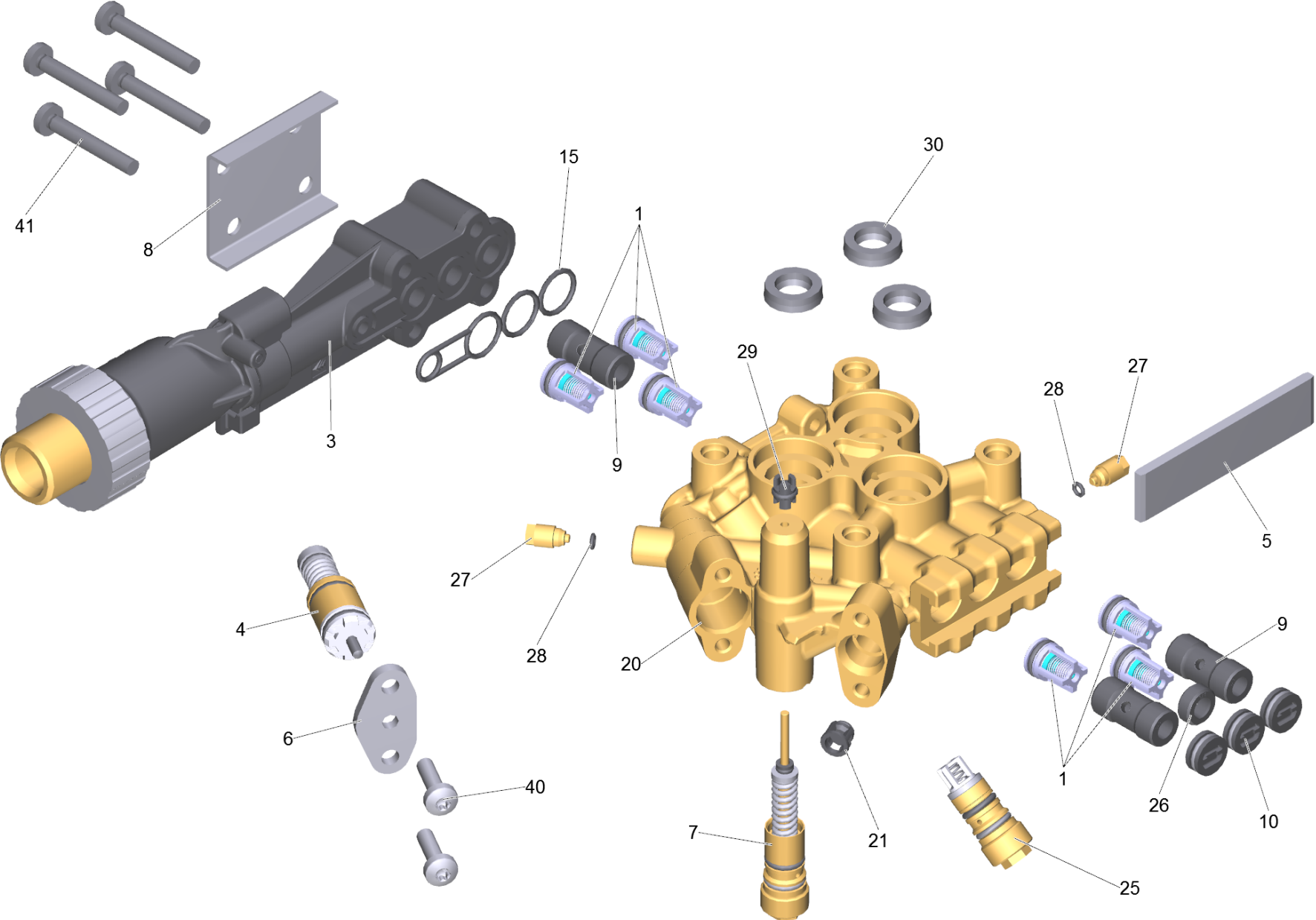
3 Set motor complete HD 6/15 M *EU (4.100-634.0)

POS	Preces Nr.	Apraksts	Quantity	Unit
1		Motor complete HD 6/15 M *EU (D128)	1.000	ST
2	6.401-307.3	Slīpā paplāksne	1.000	ST
3	5.116-144.0	Washer	1.000	ST
4	9.086-169.0	Wobble plate screw M8x16	1.000	ST



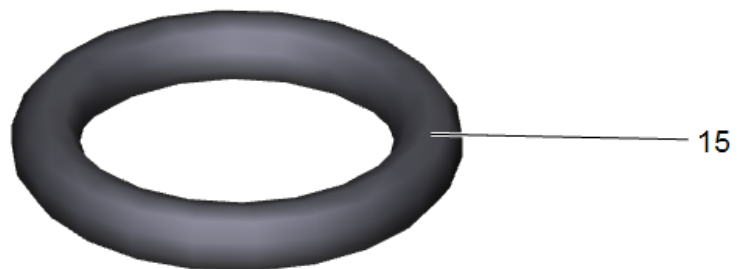
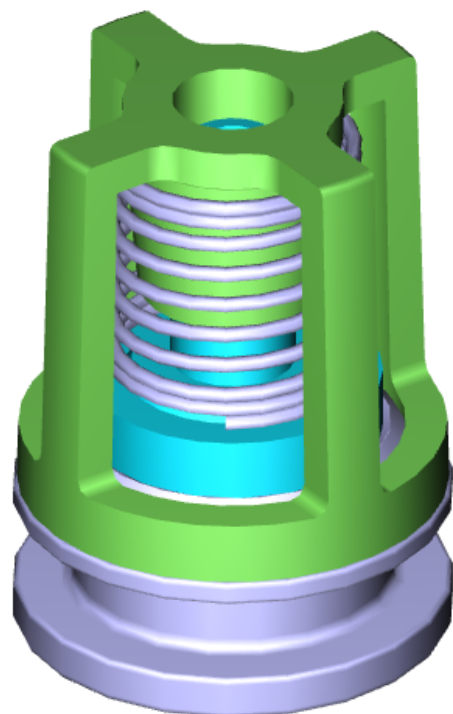
1 Motor complete HD 6/15 M *EU (D128)

POS	Preces Nr.	Apraksts	Quantity	Unit	Zemsvētras piezīme
5	5.692-006.0	Air circulation D128	1.000	ST	
23	6.401-427.0	Angular contact ball bearing	1.000	ST	
8	5.600-105.0	Blower wheel	1.000	ST	
13	6.362-381.0	Gredzenblīve 13x2 - NBR 70	1.000	ST	
25	7.401-128.0	Lod.gultnis 6202-2RS -Wälzl.St DIN 625	1.000	ST	
21	7.367-024.0	Radial shaft seal ring A26x37x7 -FKM DIN	1.000	ST	
11	7.303-031.0	screw	1.000	ST	
10	6.303-320.0	Screw M 5x 20-St-R2R	4.000	ST	
17	6.343-218.0	Tolerance ring 15x6	1.000	ST	
30	6.288-050.0	Transmisijas eļļa 1 l	1.000	ST	ASSEMBLING AID



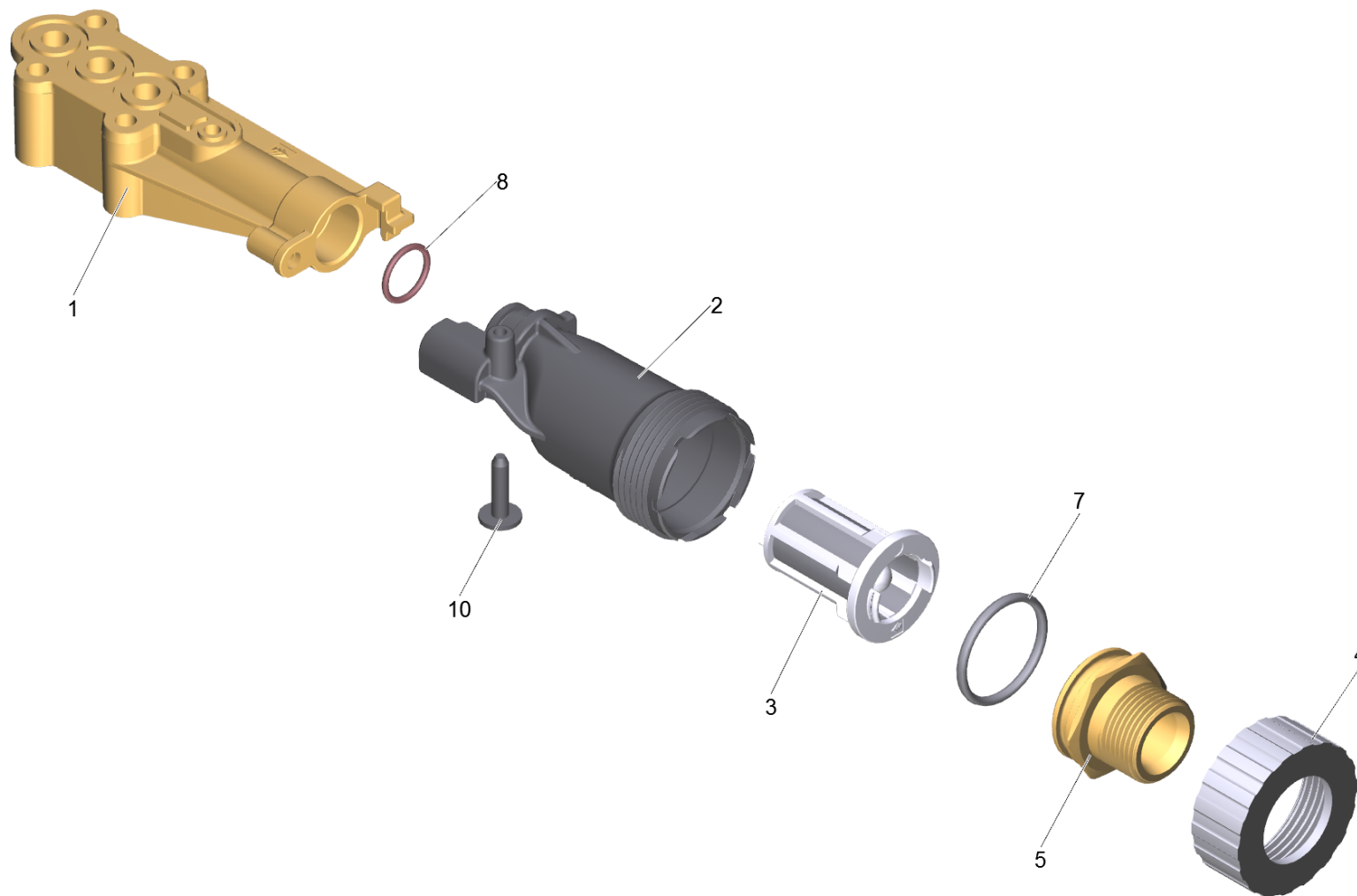
4 Cylinder head complete HD-M TK45 D12

POS	Preces Nr.	Apraksts	Quantity	Unit
7	4.624-301.3	Control piston complete for replacement	1.000	ST
6	5.093-067.0	Cover plate	1.000	ST
20	5.550-396.3	Cylinder head complete for replacement H	1.000	ST
4	4.580-792.3	Excess-current complete for replacement	1.000	ST
30	6.365-477.0	Gredzens ar gropi 12x20x5,3/2,8	3.000	ST
28	6.362-984.0	O-Ring d. 3 x 1,5 NBR 80	2.000	ST
5	5.003-062.0	Plate	1.000	ST
8	5.005-314.0	Plate suction cover	1.000	ST
27	5.443-024.3	Plug for replacement	2.000	ST
15	5.365-284.0	Profilētā blīve	1.000	ST
40	7.306-090.0	Screw M6x16 -8.8-R3R (In6Rd)	2.000	ST
29	5.363-245.3	Seal control piston for replacement	1.000	ST
41	7.306-129.0	Skrūve M6x40 -8.8-R3R (In6Rd)	4.000	ST
9	5.110-079.0	Spacer brass D14,5 x 30	3.000	ST
26	5.110-050.0	Spacer D14,5 x 6	1.000	ST
10	4.132-007.0	Spare part	3.000	ST
25	4.580-076.3	Start-up Valve complete for replacement	1.000	ST
1	2.884-916.0	Valve (3 Stück) from 2.885-299.0	2.000	ST
21	4.584-022.0	Valve pin complete	1.000	ST
3		Water intake complete	1.000	ST



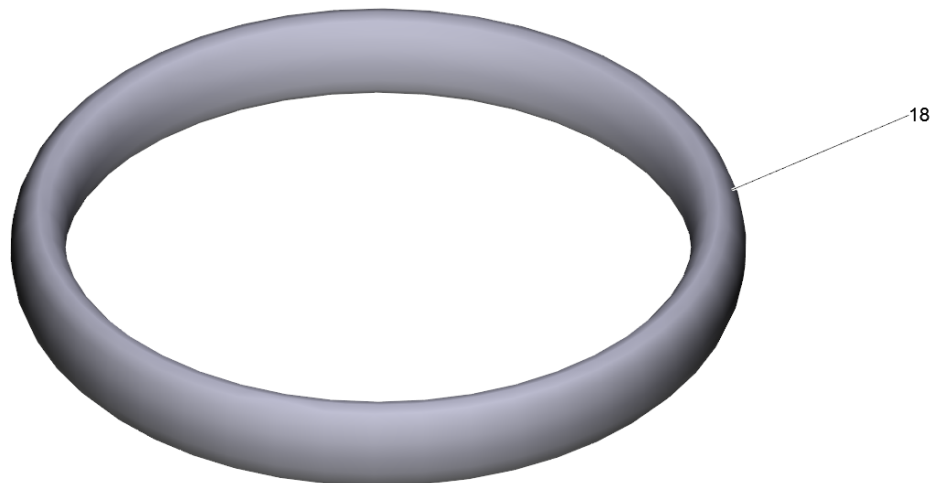
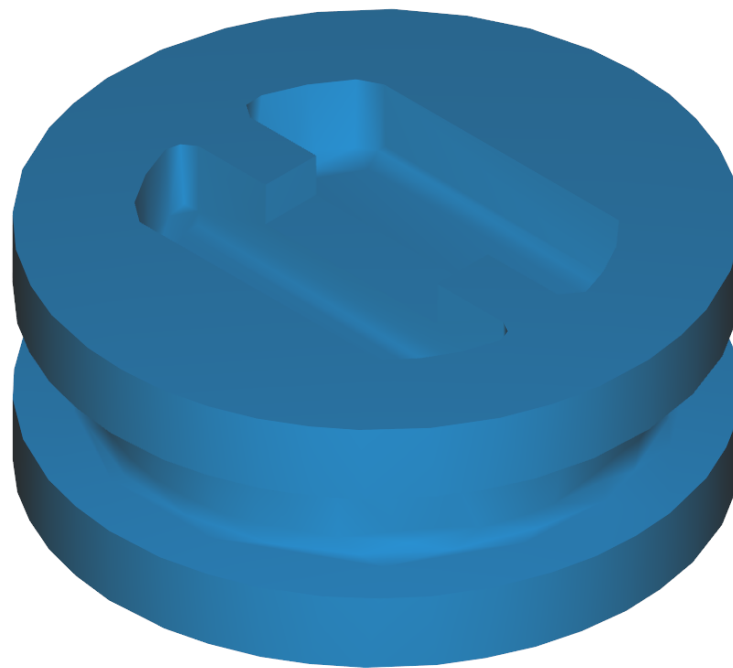
1 Valve (3 Stück) from 2.885-299.0 (2.884-916.0)

POS	Preces Nr.	Apraksts	Quantity	Unit
15	6.362-077.0	Gredzenblīve 10 x 2,2 NBR 70	1.000	ST



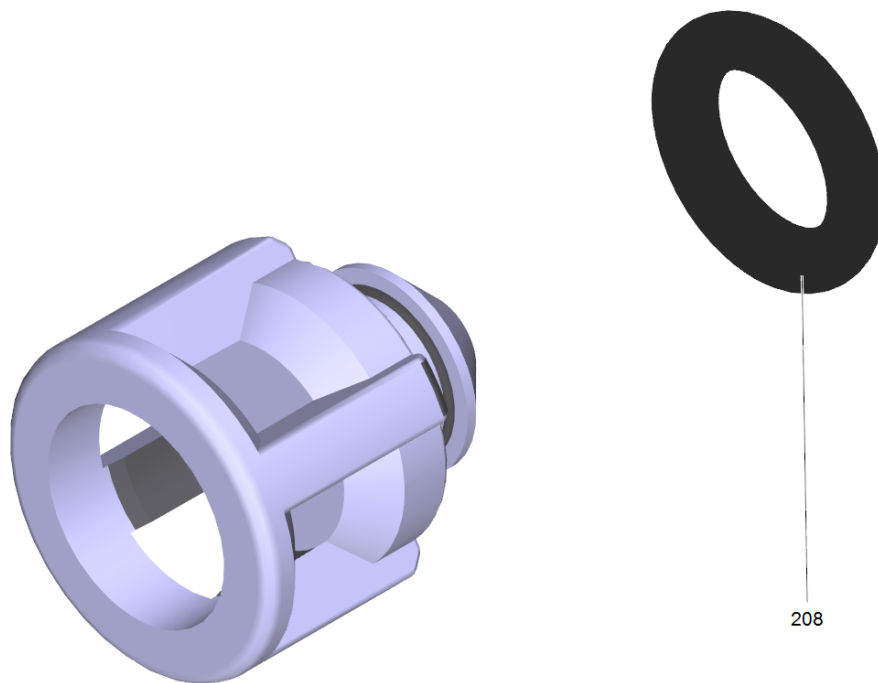
3 Water intake complete

POS	Preces Nr.	Apraksts	Quantity	Unit
5	5.064-517.0	Connection piece water intake G 3/4 A	1.000	ST
3	5.731-059.0	Filter cartridge with cone (mesh 100)	1.000	ST
8	6.362-481.0	Gredzenblīve 14,0 x 2,0 NBR 80	1.000	ST
4	5.064-465.0	Nut water intake	1.000	ST
7	6.363-437.0	O-Ring seal 30x3	1.000	ST
10	6.303-125.0	Screw 5x20-Sonder In6Rd+Spitze	1.000	ST
1	5.064-230.0	Sūkņēšanas kameras vāks	1.000	ST
2	5.045-049.0	Water intake cranked	1.000	ST



10 Spare part (4.132-007.0)

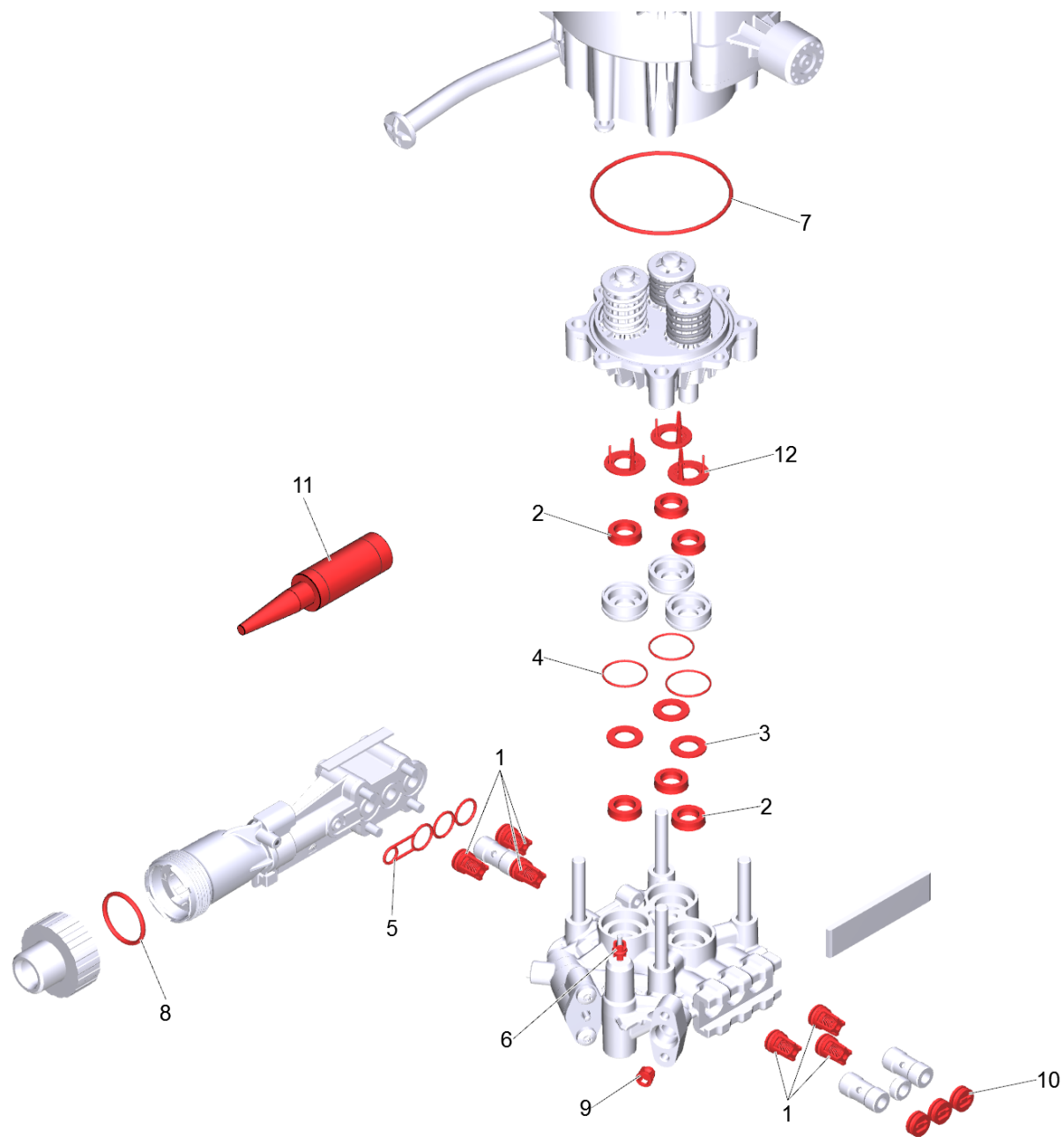
POS	Preces Nr.	Apraksts	Quantity	Unit
18	6.362-458.0	Gredzenblīve 11,0x2,0-NBR 70	1.000	ST



208

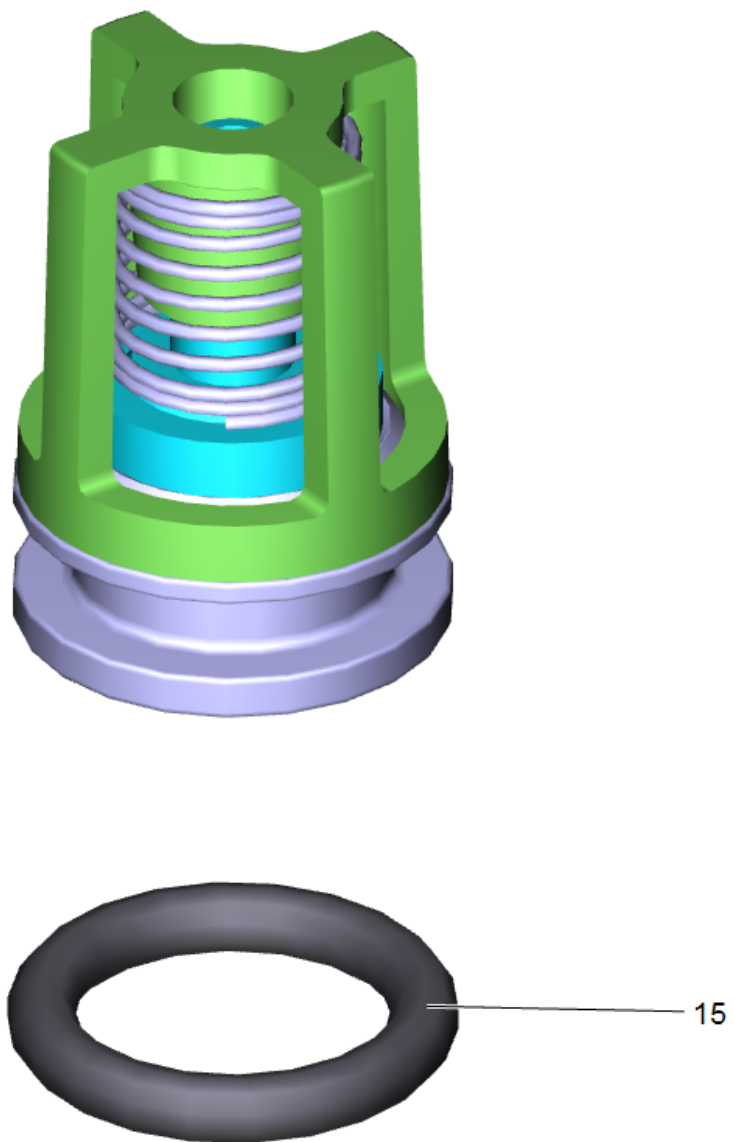
21 Valve pin complete (4.584-022.0)

POS	Preces Nr.	Apraksts	Quantity	Unit
208	6.363-613.0	Gredzenblīve 4 x 2 -NBR90	1.000	ST



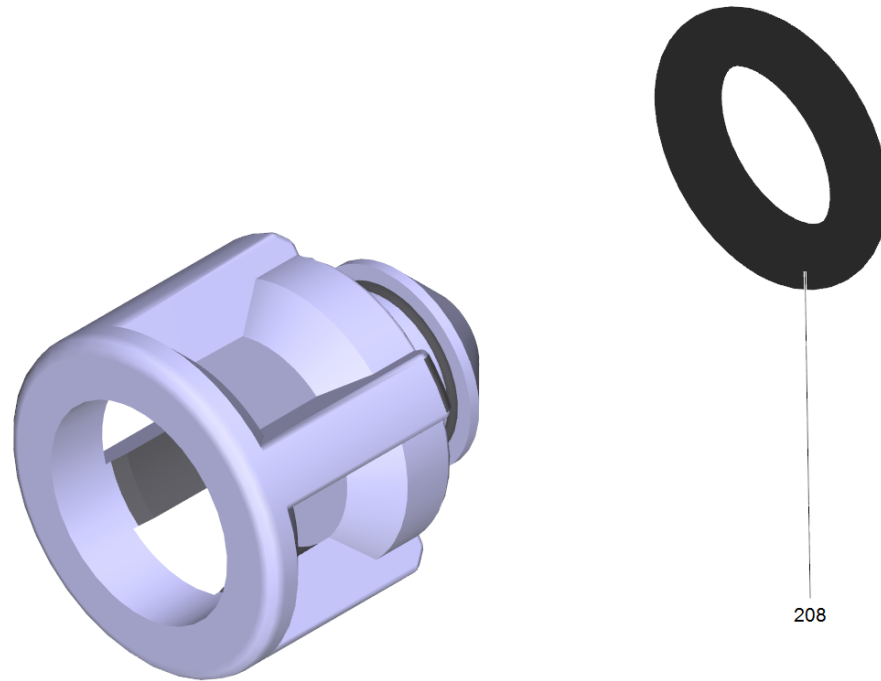
900 Pump set HD-M (2.883-067.0)

POS	Preces Nr.	Apraksts	Quantity	Unit
4	6.362-376.0	Gredzenblīve 24,0 X 1,5	3.000	ST
2	6.365-477.0	Gredzens ar gropi 12x20x5,3/2,8	6.000	ST
8	6.363-437.0	O-Ring seal 30x3	1.000	ST
7	6.363-077.0	O-Ring seal 75x3	1.000	ST
3	5.115-721.0	Paplāksne	3.000	ST
5	5.365-284.0	Profilētā blīve	1.000	ST
6	5.363-245.3	Seal control piston for replacement	1.000	ST
11	6.288-072.0	Silikona smērviena	1.000	ST
10	4.132-007.0	Spare part	3.000	ST
12	5.116-456.3	Supporting disk for replacement D12	3.000	ST
1	2.884-916.0	Valve (3 Stück) from 2.885-299.0	2.000	ST
9	4.584-022.0	Valve pin complete	1.000	ST



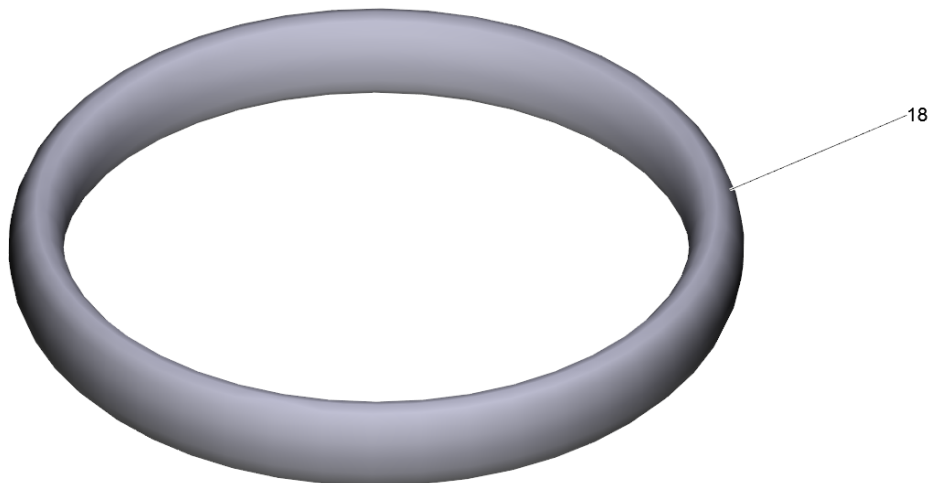
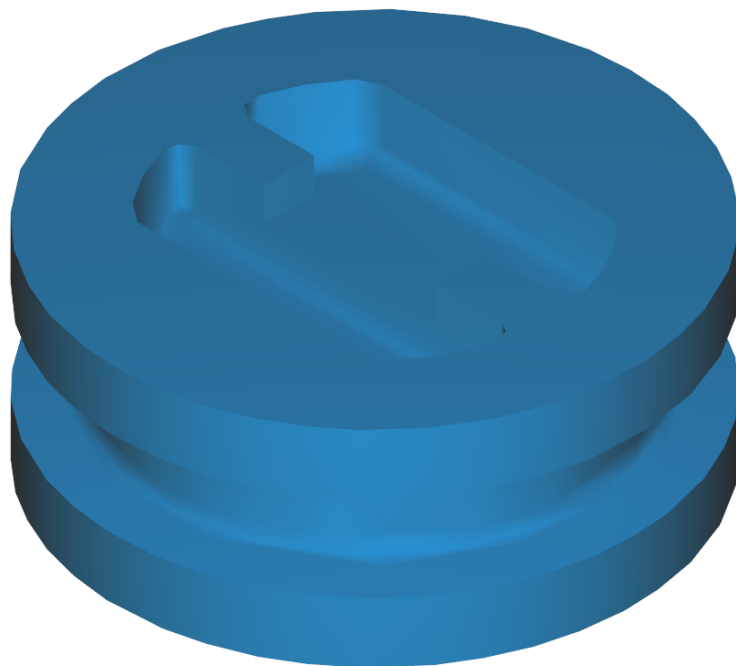
1 Valve (3 Stück) from 2.885-299.0 (2.884-916.0)

POS	Preces Nr.	Apraksts	Quantity	Unit
15	6.362-077.0	Gredzenblīve 10 x 2,2 NBR 70	1.000	ST



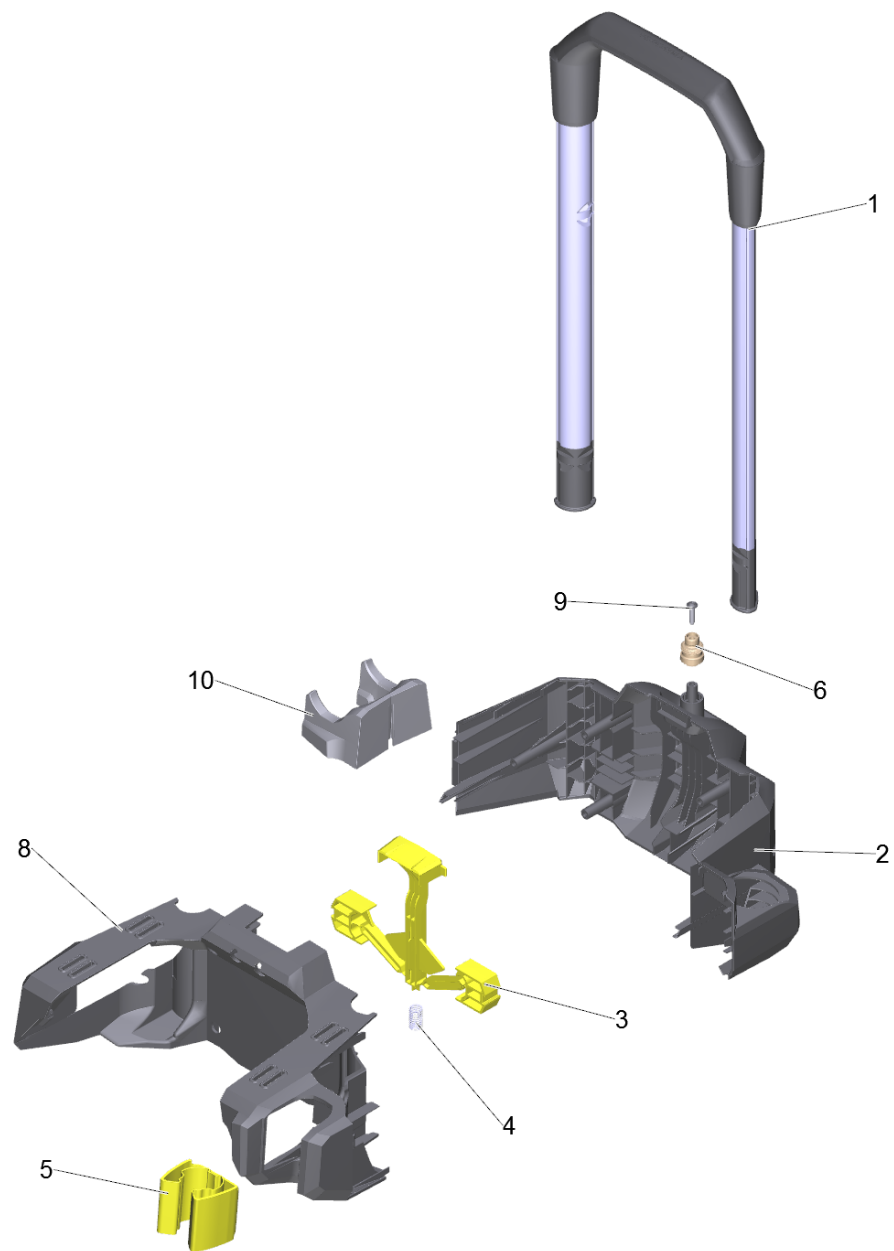
9 Valve pin complete (4.584-022.0)

POS	Preces Nr.	Apraksts	Quantity	Unit
208	6.363-613.0	Gredzenblīve 4 x 2 -NBR90	1.000	ST



10 Spare part (4.132-007.0)

POS	Preces Nr.	Apraksts	Quantity	Unit
18	6.362-458.0	Gredzenblīve 11,0x2,0-NBR 70	1.000	ST

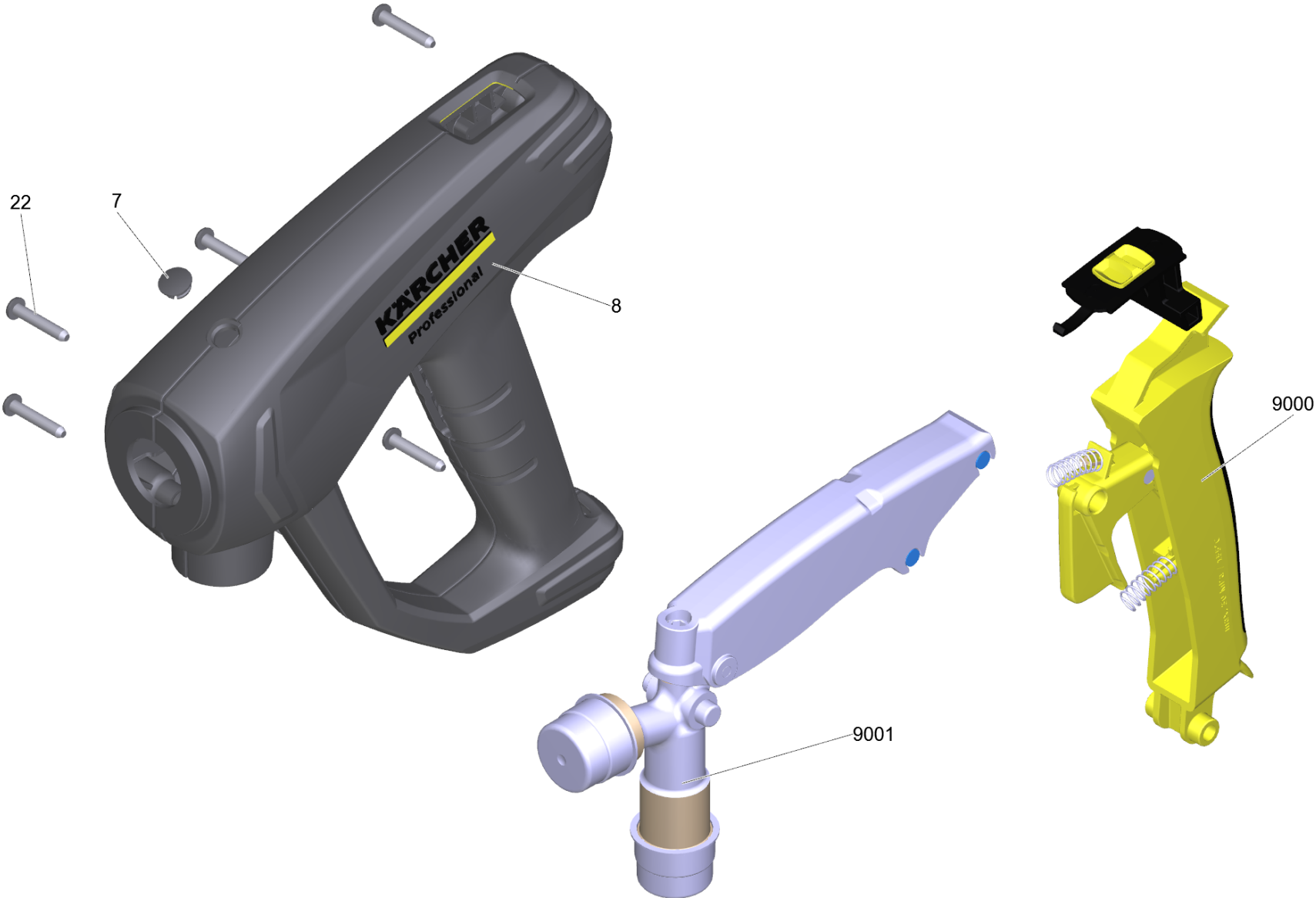


33 Module shearing shackle complete HD-M

POS	Preces Nr.	Apraksts	Quantity	Unit
1	4.034-028.3	Handhold complete for replacement HD-M	1.000	ST
4	5.332-001.0	Helical spring	1.000	ST
8	5.034-153.3	Holder front for replacement	1.000	ST
5	5.645-938.0	Holder jet pipe	1.000	ST
2	5.034-154.3	Holder rear for replacement	1.000	ST
10	5.034-230.3	Homebase foam nozzle for replacement HD-	1.000	ST
3	5.034-170.0	Locking part	1.000	ST
6	5.646-035.0	Retainer accessories Messing	1.000	ST
9	7.303-108.0	Skrūve 5x20 -10.9-R2R (In6Rd)	1.000	ST

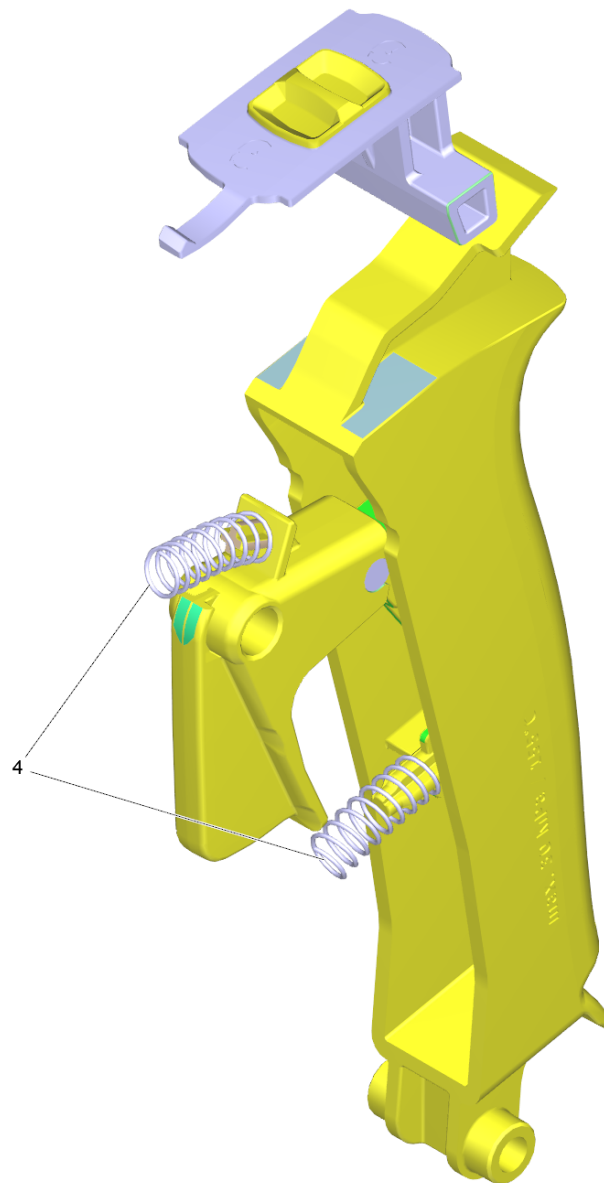
21 EASY!Force Advanced (4.118-005.0)

POS	Apraksts	Quantity	Unit
1	Hand trigger gun TR EH 155	1.000	ST



1 Hand trigger gun TR EH 155

POS	Preces Nr.	Apraksts	Quantity	Unit
8	5.321-136.3	Handhold few EH 155 only for replacement	1.000	ST
9001	4.427-014.0	Manifold TR EH 155 nur fuer Ersatz	1.000	ST
7	5.132-001.0	Plug	1.000	ST
22	7.303-096.0	Skrūve 4x22 -ST-10.9-R2R (IN6RD)	7.000	ST
9000	2.885-483.0	Spare part set lever	1.000	ST

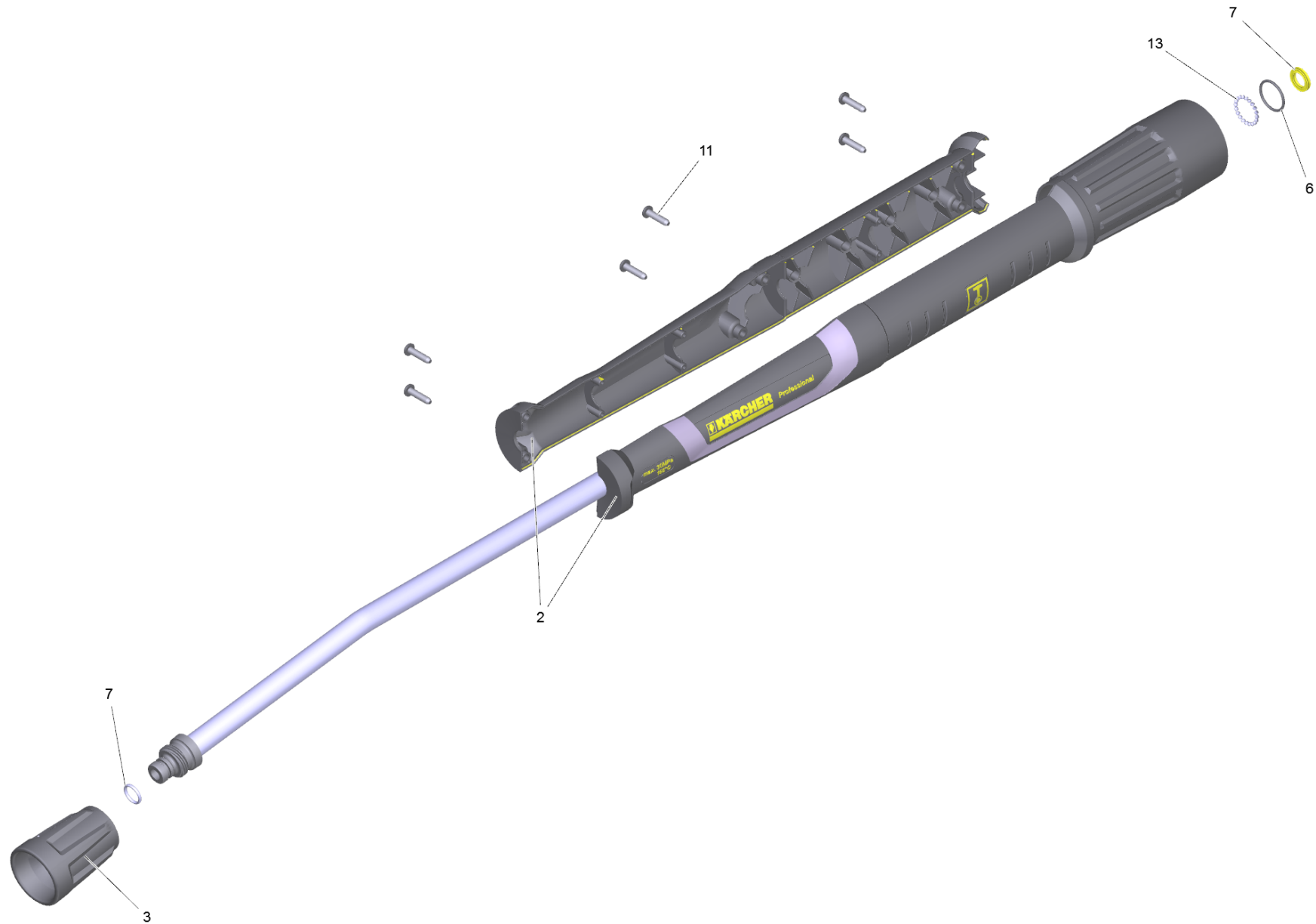


9000 Spare part set lever (2.885-483.0)

POS	Preces Nr.	Apraksts	Quantity	Unit
4	5.332-032.0	Helical spring	2.000	ST

22 Jet pipe TR 840 mm (4.112-006.0)

POS	Apraksts	Quantity	Unit
1	Jet pipe TR 840 mm	1.000	ST

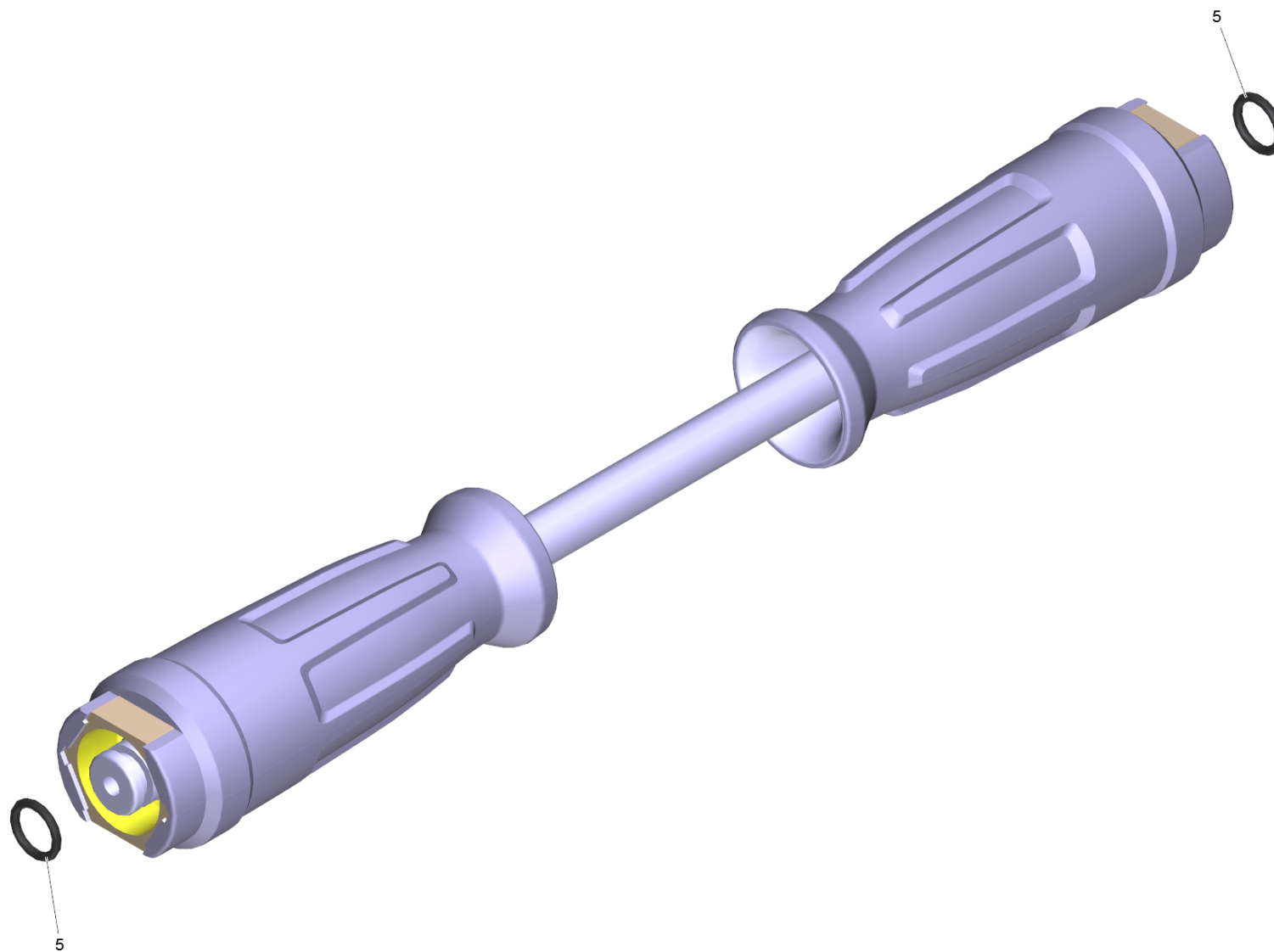


1 Jet pipe TR 840 mm

POS	Preces Nr.	Apraksts	Quantity	Unit
2	5.321-018.3	Handle bowl jet pipe only for replacemen	1.000	ST
6	6.362-067.0	O-Ring seal 16,1x1,6	1.000	ST
3	4.112-011.0	Protection part TR only for replacement	1.000	ST
13	7.401-915.0	Sfēra 2,5 G20 -1.4034 DIN 5401	20.000	ST
11	7.303-129.0	Skrūve 4x16 -10.9-R2R (K-In6Rd)	6.000	ST
7	2.880-001.0	Spare part set seals TR	1.000	ST

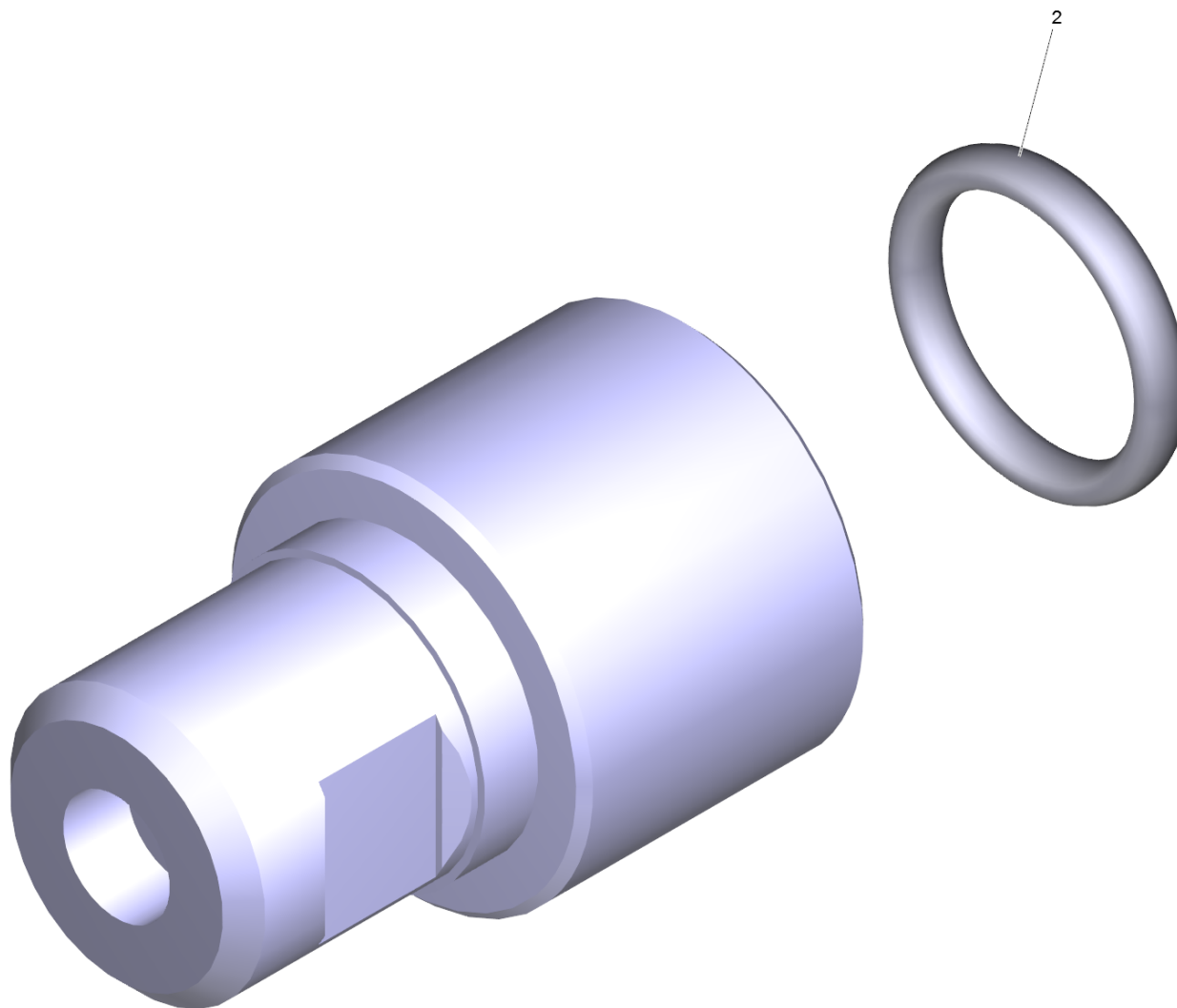
23 Hose assembly TR drehbar DN6 30MPa 10m (6.110-056.0)

POS	Apraksts	Quantity	Unit
1	Hose assembly TR rotatable DN6 30MPa 10m	1.000	ST



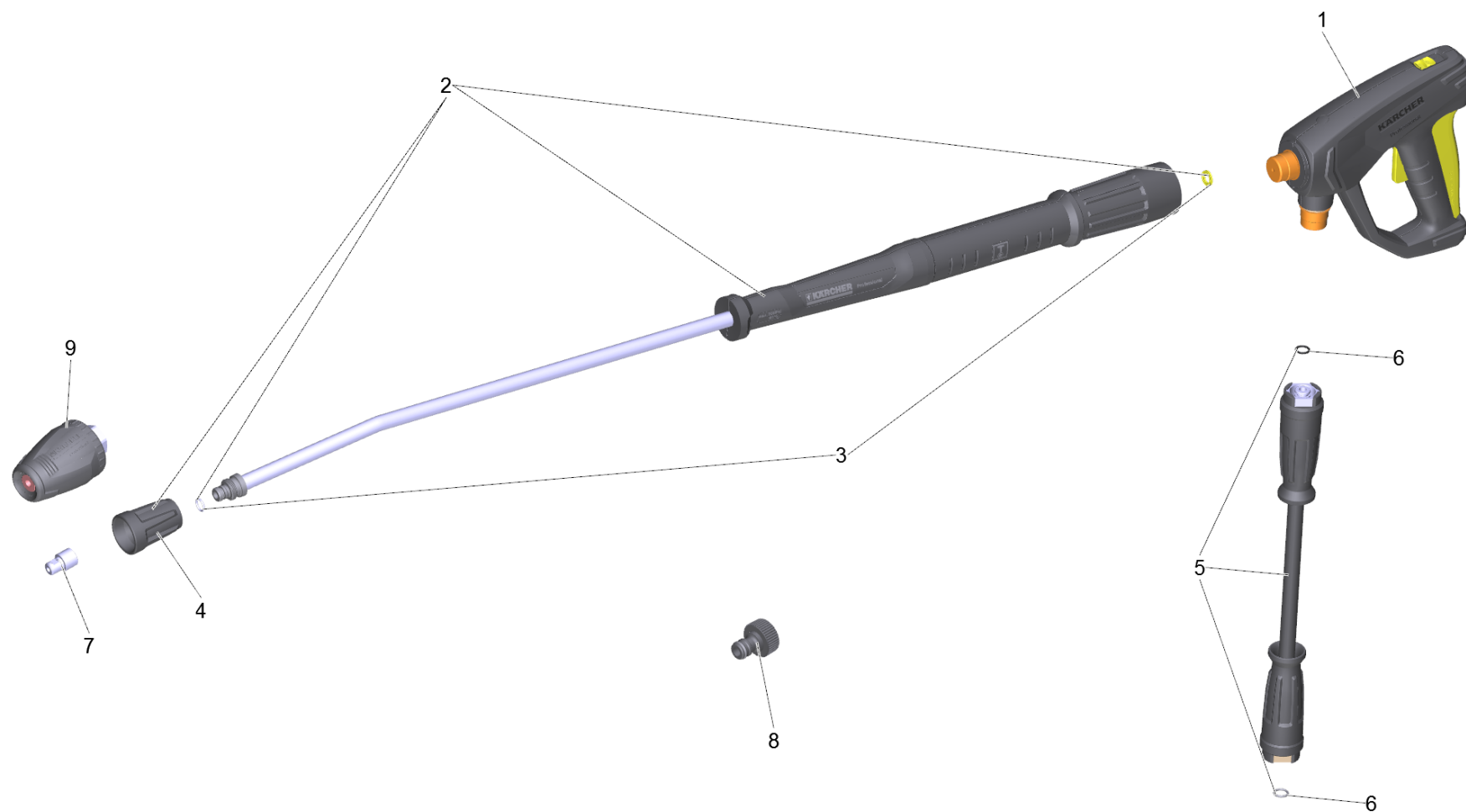
1 Hose assembly TR rotatable DN6 30MPa 10m

POS	Preces Nr.	Apraksts	Quantity	Unit
5	2.880-154.0	O-Ring kit	1.000	ST



25 Power nozzle TR 25033 (2.113-063.0)

POS	Preces Nr.	Apraksts	Quantity	Unit
2	2.880-001.0	Spare part set seals TR	1.000	ST



10 Short spare parts list

POS	Preces Nr.	Apraksts	Quantity	Unit
8	6.465-031.0	connection	1.000	ST
9	4.114-019.0	Dirt blaster TR 035 LowEnd	1.000	ST
1	4.118-005.0	EASY!Force Advanced	1.000	ST
5	6.110-056.0	Hose assembly TR drehbar DN6 30MPa 10m	1.000	ST
2	4.112-006.0	Jet pipe TR 840 mm	1.000	ST
6	2.880-154.0	O-Ring kit	1.000	ST
7	2.113-063.0	Power nozzle TR 25033	1.000	ST
4	4.112-011.0	Protection part TR only for replacement	1.000	ST
3	2.880-001.0	Spare part set seals TR	1.000	ST