

## **Spare parts list**

(1.064-912.0) HDS 5/15 U \*EU

## Table of contents

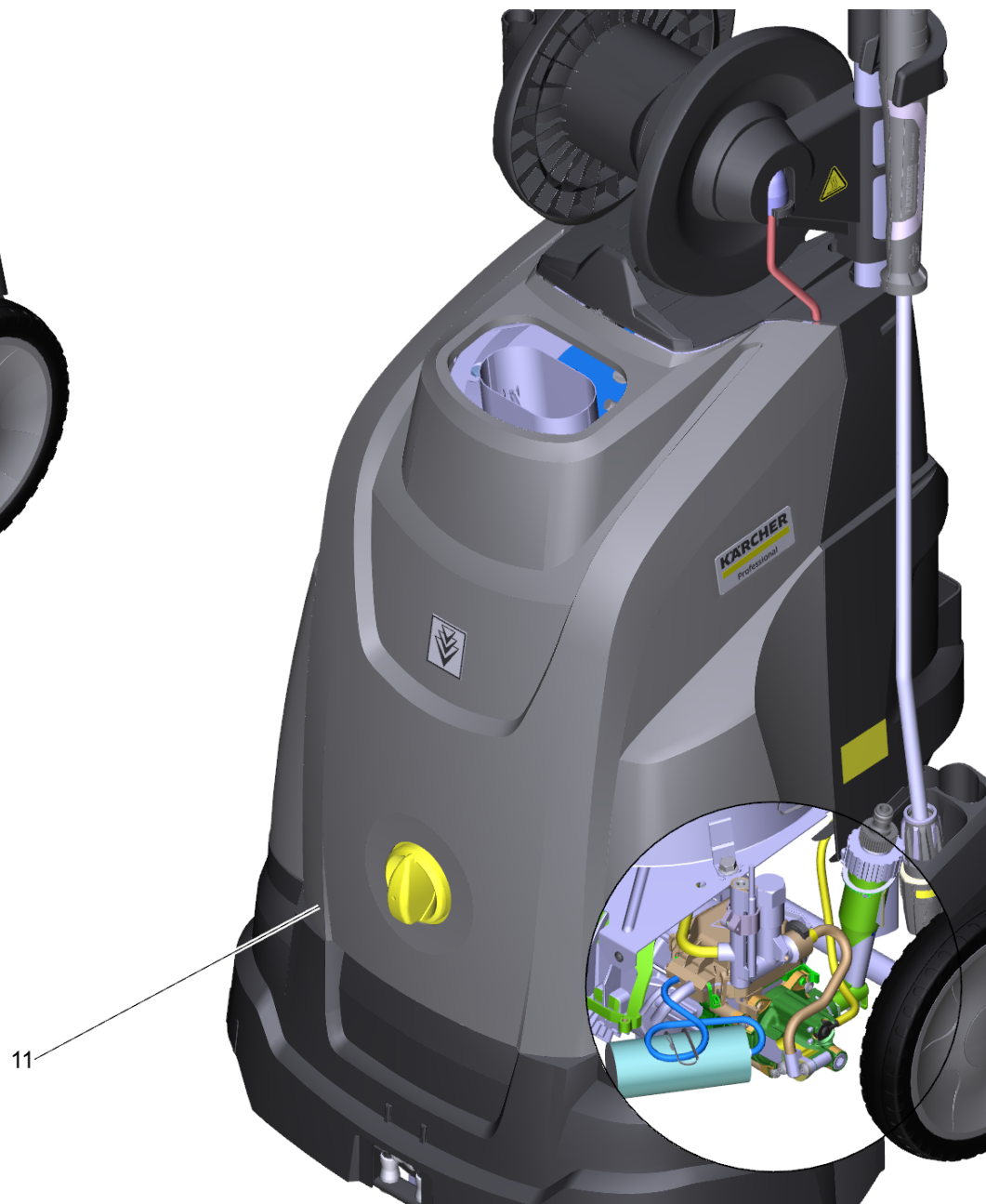
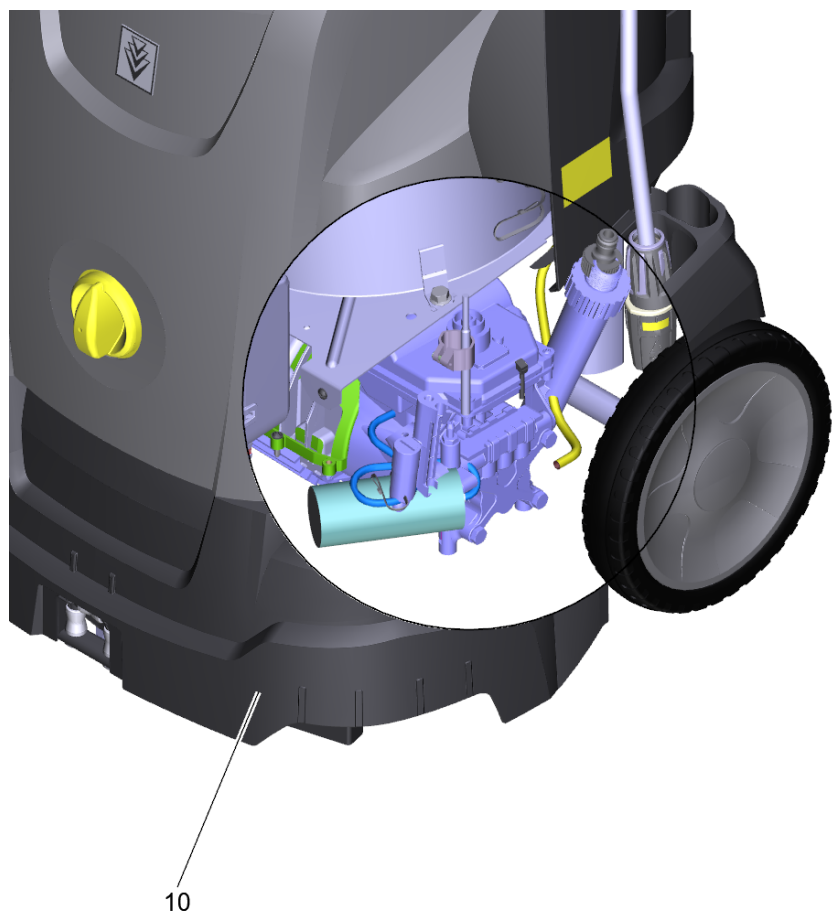
---

HDS 5/15 U *EU (1.064-912.0)	4
10 Spare parts list HDS 5/15 U *EU (5.974-300.0)	6
33 Motor pump HDS 5/15	13
1 Cylinder head complete	15
30 Valve pin complete (4.584-022.0)	17
902 Overflow valve (4.591-038.0)	19
903 Nozzle insert only for replacement (4.769-034.0)	20
2 Thrust guidance	22
4 Safety system	24
900 PUMP SET HD 5/12 C (2.883-997.0)	26
20 Valve (3 Stück) (2.884-916.0)	28
902 Motor complete nur fuer Ersatz (4.624-052.0)	30
1 Motor complete HDS 5/15	31
44 Boiler	32
1 Vessel mantel complete (4.652-152.0)	34
2 Bottom pressure boiler (4.655-044.0)	36
45 Burner complete	38
2 Conversion kit ignition electrode (2.638-974.0)	40
53 Set mounting parts	42
70 Hose fuel 130mm	44
71 Hose fuel 180mm	45
72 Hose fuel 230mm	46
902 Jet pipe TR 840 mm (4.112-006.0)	47
1 Jet pipe TR 840 mm	48
903 Triple jet nozzle TR 028 (4.117-024.0)	50
1 Triple jet nozzle TR 028	51
904 EASY!Force Advanced (4.118-005.0)	53
9000 Spare part set lever (2.885-483.0)	55
905 Cover tank only for replacement (4.645-315.0)	57
907 Hose assembly TR DN6 25MPa 10m (6.110-034.0)	59
11 HDS 5/15 U *EU	61
33 Pump set HDS U 5/15/13/11 *EU	67
50 Transmission HDS U 5/15/13/11 *EU (4.553-335.3)	69
51 Pump head complete HDS U 5/15/13/11 *EU	71
101 Piston guidance kpl.	73
115 Piston guidance for replacement (2.060-000.0)	75
102 Cylinder head complete brass (4.550-942.0)	77
103 Control piston complete replacement (2.885-408.0)	79

## Table of contents

---

104 Valve pin complete (4.584-022.0)	81
105 Plug complete (4.580-702.0)	83
901 Pump set HDC (2.885-377.0)	85
11 Valve pin complete (4.584-022.0)	87
53 Electric box complete HDC	89
58 Safety system HDS U	91
62 Water intake complete HDS U	93
999 Tool (2.901-048.0)	95
44 Boiler	97
1 Vessel mantel complete (4.652-152.0)	99
2 Bottom pressure boiler (4.655-044.0)	101
45 Burner complete	103
2 Conversion kit ignition electrode (2.638-974.0)	105
70 Hose fuel 130mm	107
71 Hose fuel 180mm	108
72 Hose fuel 230mm	109
902 Jet pipe TR 840 mm (4.112-006.0)	110
1 Jet pipe TR 840 mm	111
903 Triple jet nozzle TR 028 (4.117-024.0)	113
1 Triple jet nozzle TR 028	114
904 EASY!Force Advanced (4.118-005.0)	116
9000 Spare part set lever (2.885-483.0)	118
905 Cover tank only for replacement (4.645-315.0)	120
907 Hose assembly TR DN6 25MPa 10m (6.110-034.0)	122

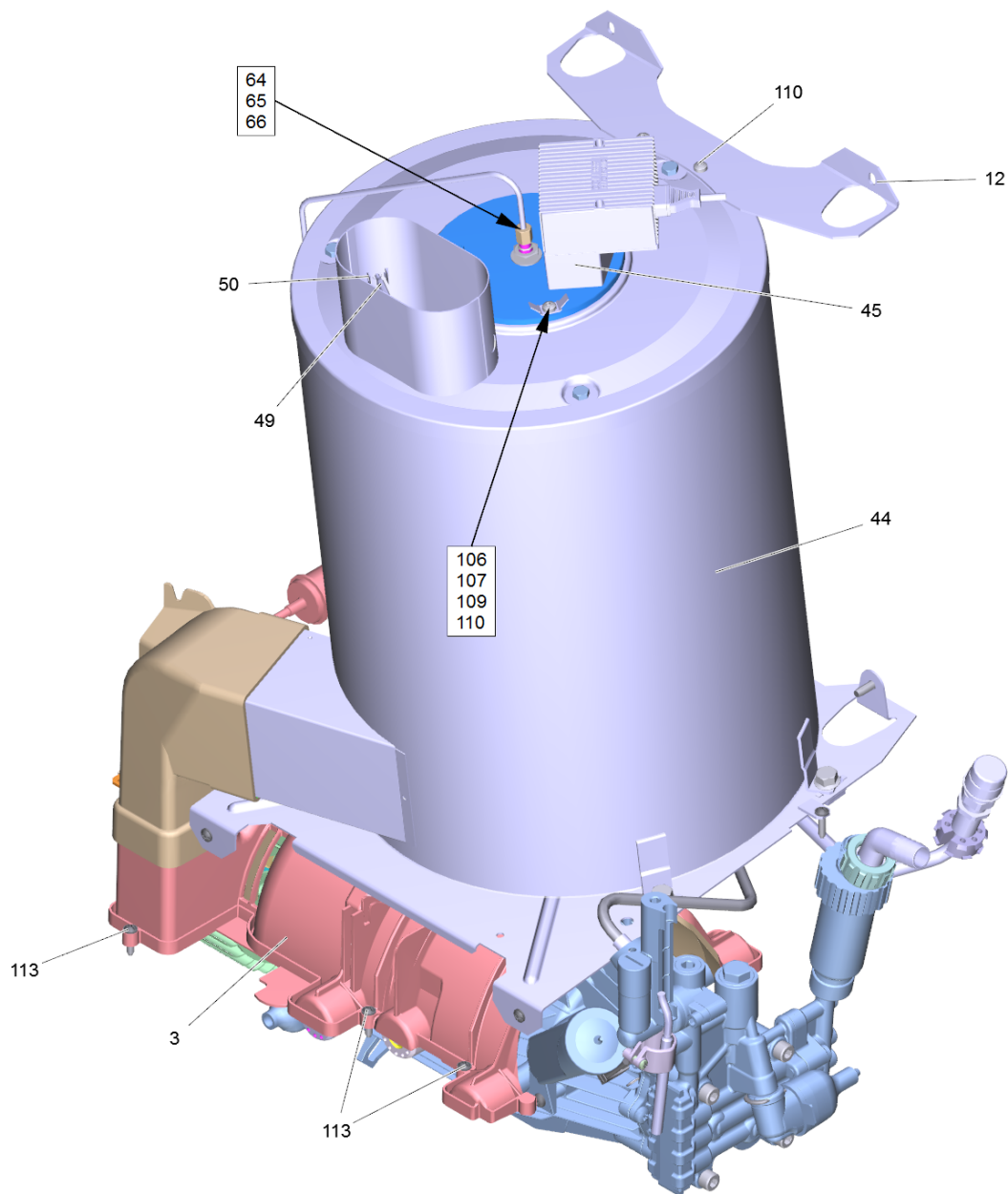


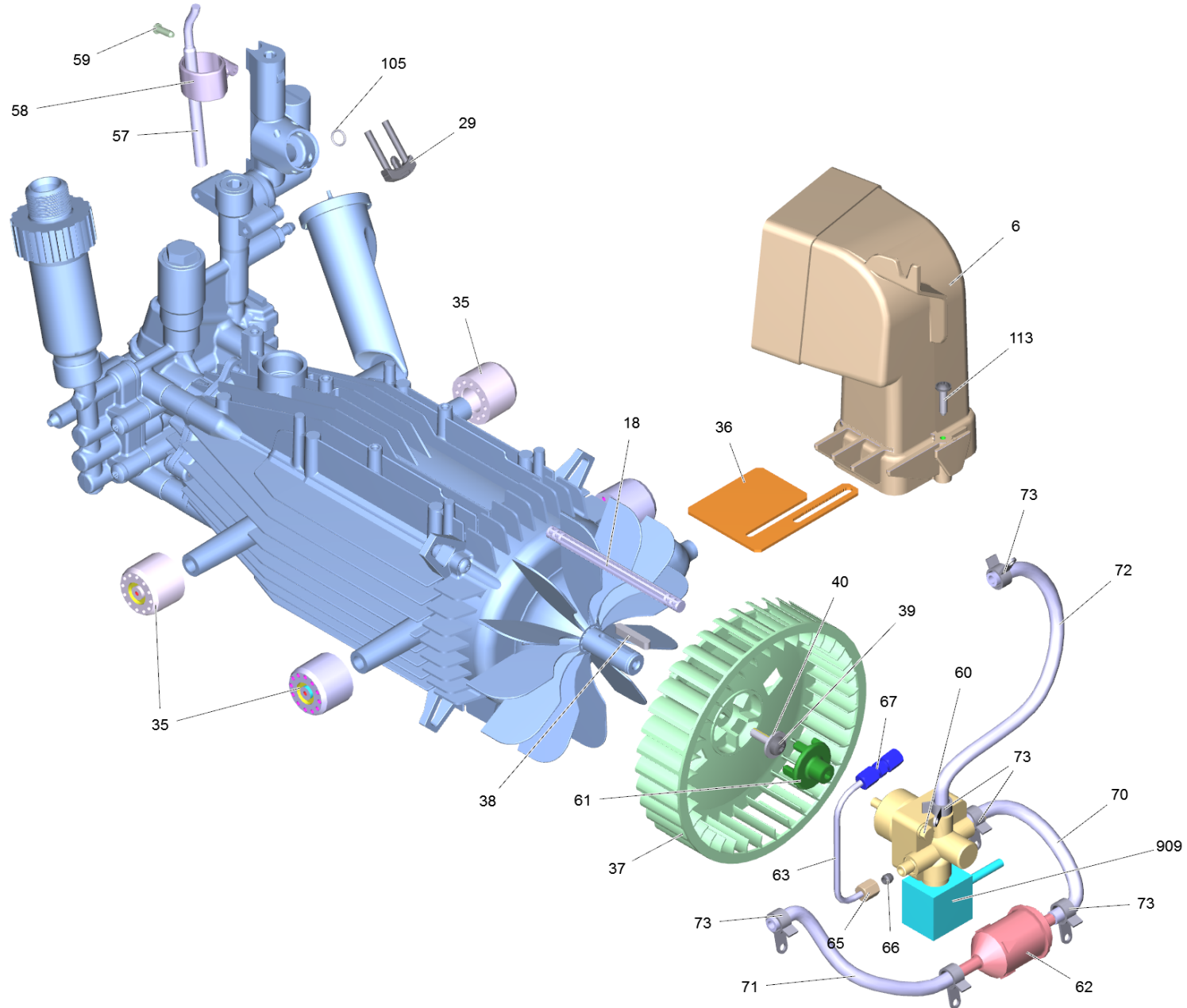
HDS 5/15 U \*EU (1.064-912.0)

---

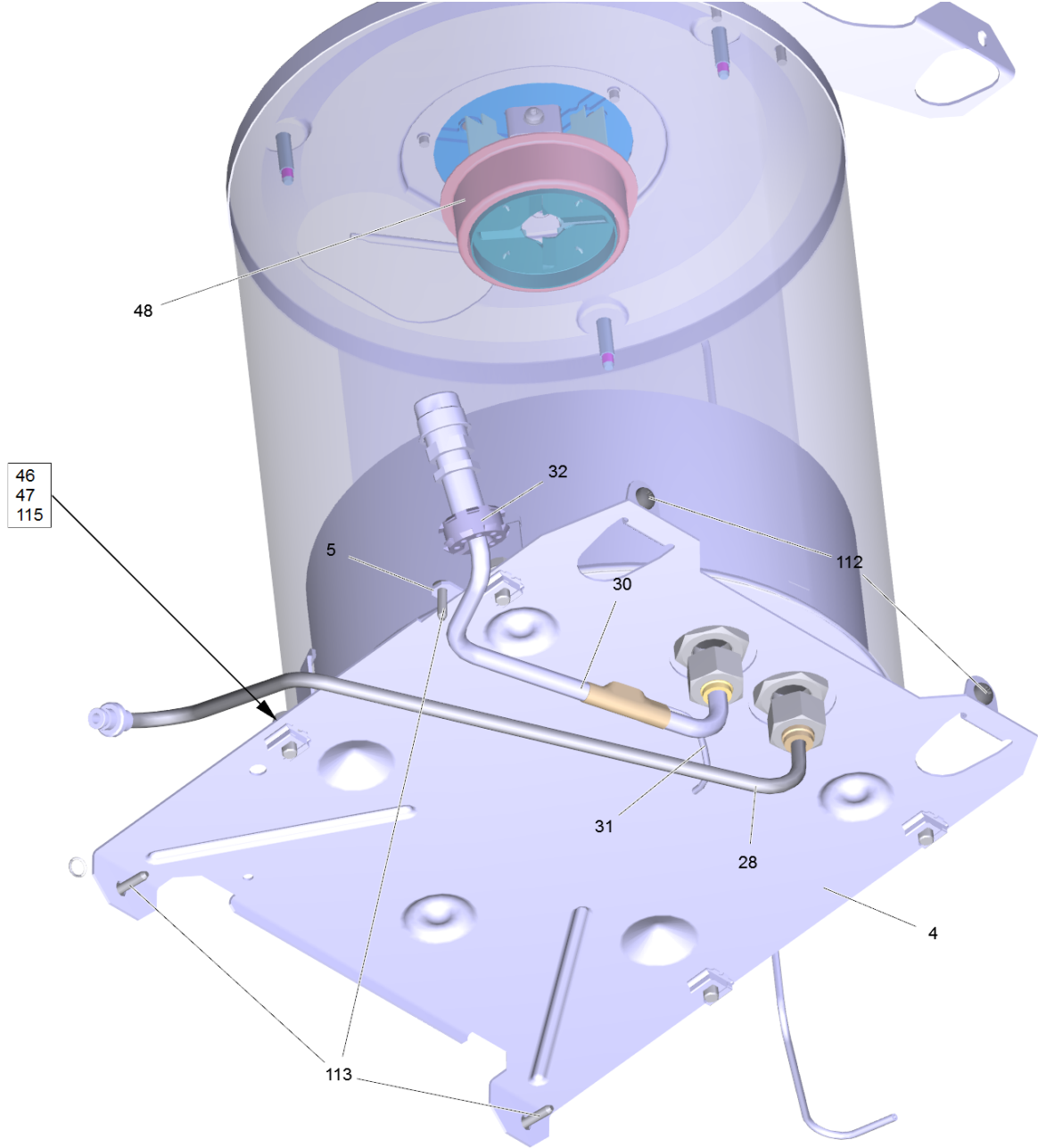
<b>POS</b>	<b>Article no.</b>	<b>Description</b>	<b>Quantity</b>	<b>Unit</b>
10	5.974-300.0	Spare parts list HDS 5/15 U *EU	1.000	ST
11		HDS 5/15 U *EU	1.000	ST











10 Spare parts list HDS 5/15 U \*EU (5.974-300.0)

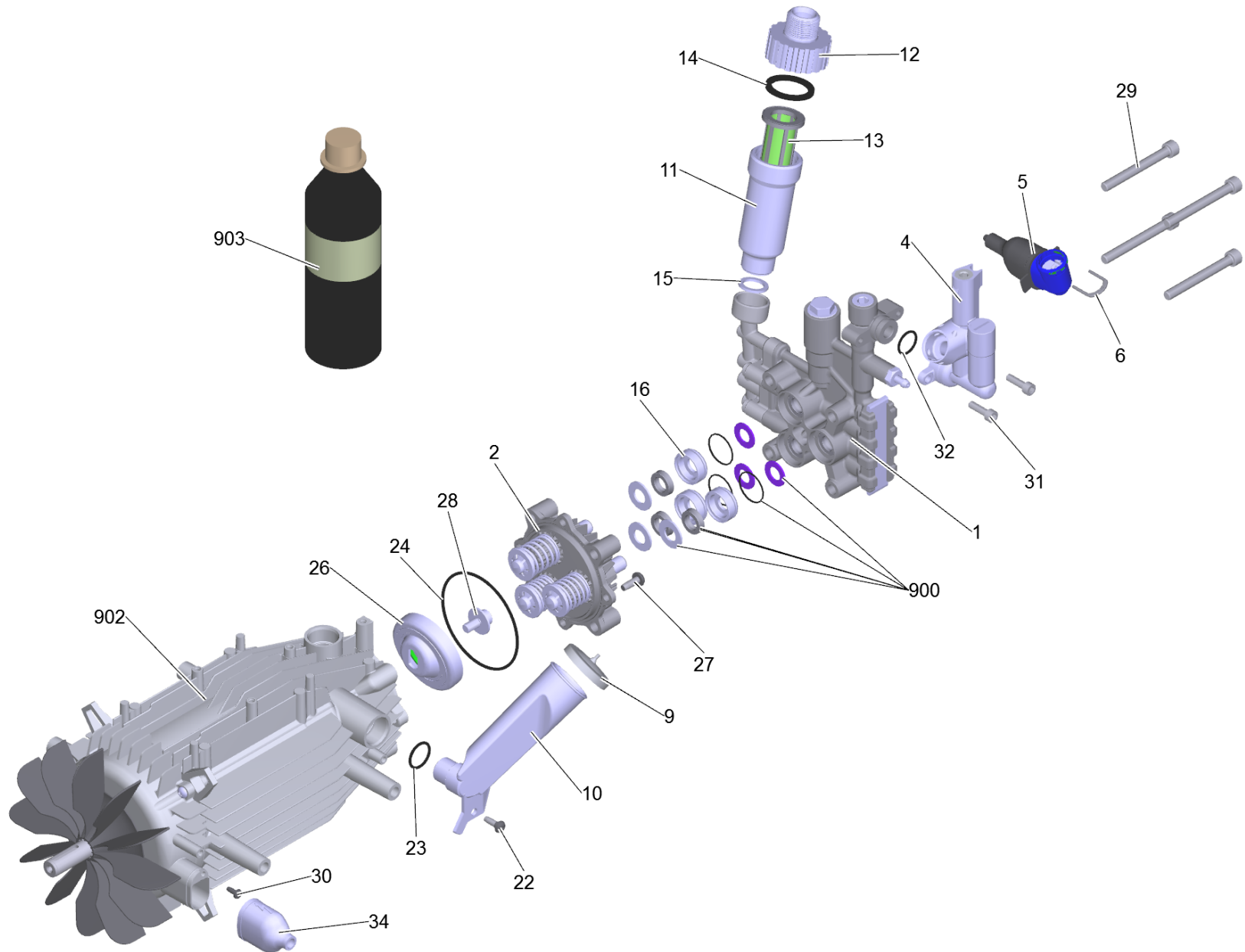
POS	Article no.	Description	Quantity	Unit	Foot note text
2	5.033-556.0	Chassis HDS upright	1.000	ST	
3	5.692-103.0	Air circulation HDS upright	1.000	ST	
4	5.010-349.0	Bottom plate HDS upright	1.000	ST	
5	5.503-018.0	Plate quick lock	1.000	ST	
6	5.409-613.0	Adapter for blower	1.000	ST	
7	5.321-751.0	Handhold	1.000	ST	
8	5.044-987.0	Holder jet pipe	1.000	ST	
9	5.107-291.0	Bar shearing shackle HDS upright U	2.000	ST	
10	5.065-732.0	Rear panel HDS upright	1.000	ST	
12	5.010-350.0	Plate shearing shackle	1.000	ST	
18	5.027-215.0	Rod	1.000	ST	
19	5.071-215.0	Tank fuel HDS upright	1.000	ST	
22	5.731-039.0	Filter	1.000	ST	
23	4.515-320.0	Wheel complete	1.000	ST	SET OF 2 PIECES
24	2.889-086.0	Set wheel cap	1.000	ST	
25	5.105-649.0	Wheel axle HDS upright	1.000	ST	
26	6.343-162.0	Lock washer -25	2.000	ST	
27	5.057-062.0	Support	1.000	ST	
28	4.422-976.0	Pipelines complete	1.000	ST	
29	4.037-013.0	Hook	1.000	ST	
30	4.422-125.3	Pipelines complete HDS-U	1.000	ST	
31	6.686-469.0	Cable temperature limiter	1.000	ST	
32	5.767-023.0	Rubber buffer	1.000	ST	
33		Motor pump HDS 5/15	1.000	ST	
35	5.767-005.0	Rubber buffer	4.000	ST	
36	5.606-010.0	Air flap HDS upright	1.000	ST	
37	5.600-062.0	Blower wheel	1.000	ST	
38	7.318-005.0	Parallel key 5x5x28-C45K DIN 6885	1.000	ST	
39	6.304-053.0	Screw M6X20-ZNBHL (Precote 30-3)	1.000	ST	
40	7.312-276.0	Washer 6 -200HV-A2E ISO7093-1	1.000	ST	
44		Boiler	1.000	ST	
45		Burner complete	1.000	ST	
46	5.044-420.0	Holder	4.000	ST	

10 Spare parts list HDS 5/15 U \*EU (5.974-300.0)

POS	Article no.	Description	Quantity	Unit	Foot note text
47	6.310-081.0	Cage nut M 8	4.000	ST	
48	5.664-272.0	Flame tube	1.000	ST	
49	6.686-502.0	Thermostat fixed adjusted	1.000	ST	
50	5.034-834.0	Holder probe	1.000	ST	
53		Set mounting parts	1.000	ST	
56	6.641-463.0	Cable tape	2.000	ST	
57	2.885-222.0	Flow switch only for replacement	1.000	ST	
58	5.041-076.0	Clamp	1.000	ST	
59	6.303-122.0	M4 .2X13 DIN 7981 TORX T15 PAN HD HI/LO	1.000	ST	
60	6.472-992.0	Fuel pump only for replacement	1.000	ST	
61	5.471-097.0	Coupler fuel pump	1.000	ST	
62	6.414-413.0	Fuel filter	1.000	ST	
63	5.423-413.0	Conduit fuel	1.000	ST	
64	5.423-414.0	Conduit fuel	1.000	ST	
65	6.389-262.0	Union nut A 4-LL	2.000	ST	
66	6.389-263.0	Cutting ring d.4	2.000	ST	
67	6.392-208.0	Screw connector	1.000	ST	
70		Hose fuel 130mm	1.000	ST	
71		Hose fuel 180mm	1.000	ST	
72		Hose fuel 230mm	1.000	ST	
73	6.389-924.0	Hose clip	6.000	ST	
75	5.064-394.0	Bottom electric box	1.000	ST	
76	5.064-353.0	Cover electric box HDS upright	1.000	ST	
77	6.647-081.0	Cable tape	1.000	ST	
78	4.630-003.0	Rotary switch only for replacement	1.000	ST	
79	6.641-270.0	Plug	1.000	ST	
80	5.322-111.0	Handle	1.000	ST	
82	6.646-748.0	Clamp for cable 0,08-2,5mm²	1.000	ST	
84	6.647-681.0	Cable clip	1.000	ST	
89	4.862-225.0	Filter chemistry regulation	1.000	ST	
91	5.392-966.0	Warning sign	1.000	ST	
93	5.383-342.0	Label fuel oil einfuellen	1.000	ST	
105	4.363-691.0	O-Ring seal kpl. -nur fuer Ersatz-	1.000	ST	

10 Spare parts list HDS 5/15 U \*EU (5.974-300.0)

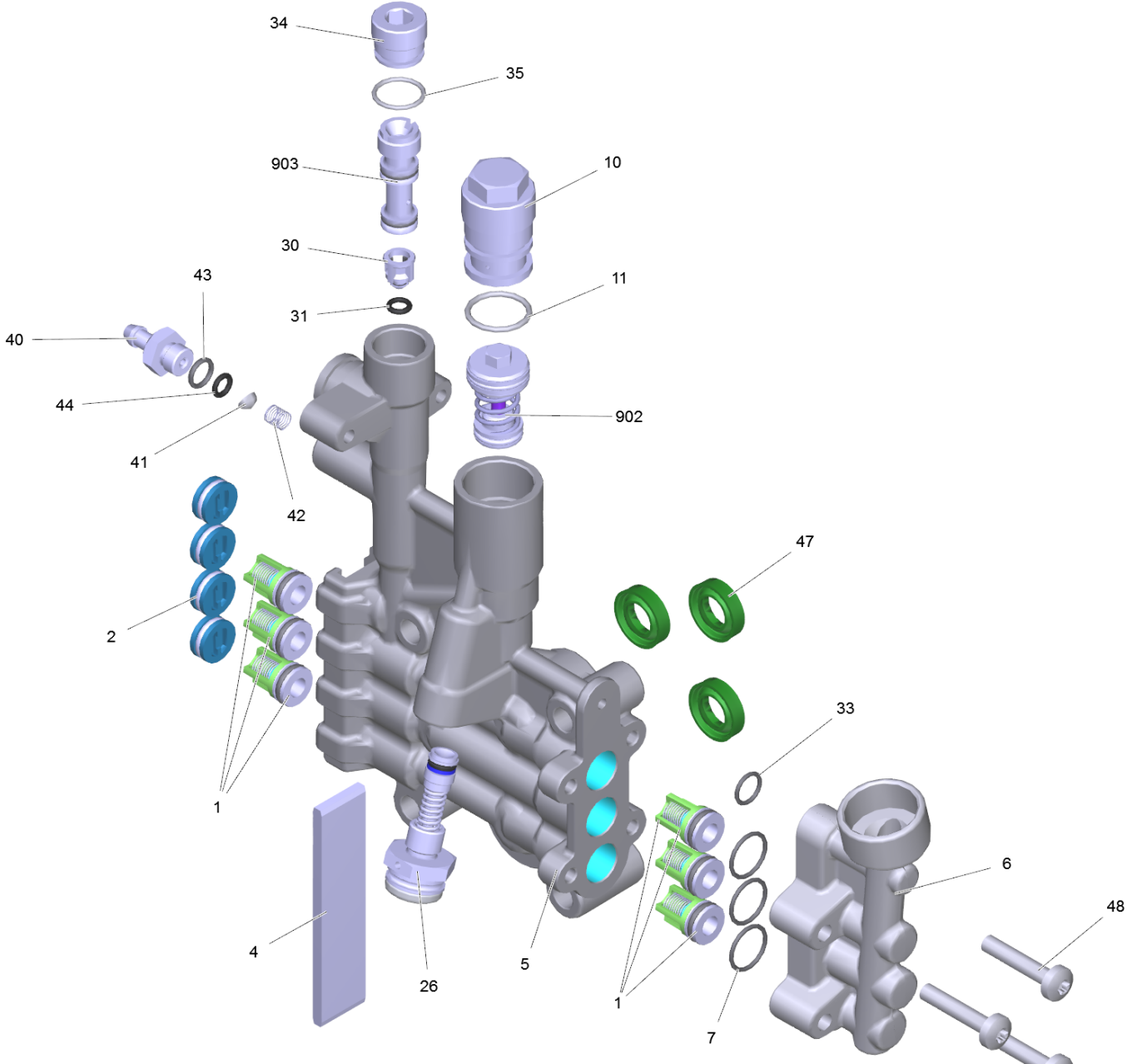
POS	Article no.	Description	Quantity	Unit	Foot note text
106	6.641-269.0	Tab	1.000	ST	
107	7.312-172.0	Toothed lock washer A5,3-FSt-A3E DIN 67	1.000	ST	
109	4.821-131.0	Cable 1,5x1240-GG	1.000	ST	
110	7.303-038.0	Screw M5x12 -St-P2R (In6Rd)	5.000	ST	
111	7.303-106.0	Screw 4x12 -10.9-R2R (IN6RD)	1.000	ST	
112	7.303-047.0	Screw M6x16 -St-R3R (In6Rd)	8.000	ST	
113	7.303-108.0	Screw 5x20 -10.9-R2R (In6Rd)	10.000	ST	
115	7.304-051.0	Hexagonal head screw M 8x16-8.8-P2R EN	4.000	ST	
116	7.305-019.0	Countersunk screw M4x16 -8.8-R2R (In6Rd)	2.000	ST	
124	6.661-129.0	Capacitor 25MF	1.000	ST	
125	5.048-251.0	Plate	1.000	ST	
126	6.632-175.0	Contactora 4 KW /230V	1.000	ST	
901	4.069-023.0	Cover neutrally nur fuer Ersatz	1.000	ST	
902	4.112-006.0	Jet pipe TR 840 mm	1.000	ST	
903	4.117-024.0	Triple jet nozzle TR 028	1.000	ST	
904	4.118-005.0	EASY!Force Advanced	1.000	ST	
905	4.645-315.0	Cover tank only for replacement	1.000	ST	
906	4.649-044.0	Cable with plug nur für Ersatz	1.000	ST	
907	6.110-034.0	Hose assembly TR DN6 25MPa 10m	1.000	ST	
909	6.473-040.0	Coil fuel pump for replacement	1.000	ST	



## 33 Motor pump HDS 5/15

POS	Article no.	Description	Quantity	Unit
1		Cylinder head complete	1.000	ST
2		Thrust guidance	1.000	ST
4		Safety system	1.000	ST
5	4.744-242.0	Switch kpl. -nur für Ersatz-	1.000	ST
6	5.034-494.0	Retaining bracket	1.000	ST
9	5.064-457.0	Cover plate qusty grey oil	1.000	ST
10	5.070-862.0	Tank oil	1.000	ST
11	5.731-003.0	Filter housing brass	1.000	ST
12	5.064-462.0	Cover water intake	1.000	ST
13	5.731-587.0	Water filter	1.000	ST
14	5.363-336.0	Seal	1.000	ST
15	6.363-707.0	Flat gasket 24x17x2	1.000	ST
16	5.112-726.0	Bush	3.000	ST
22	6.303-153.0	Screw M5x15-ST-R2R (In6RD)	1.000	ST
23	6.362-161.0	O-Ring seal 19,3 X 2,4	1.000	ST
24	6.363-077.0	O-Ring seal 75x3	1.000	ST
26	6.401-294.3	Wobble plate	1.000	ST
27	7.303-047.0	Screw M6x16 -St-R3R (In6Rd)	2.000	ST
28	9.086-169.0	Wobble plate screw M8x16	1.000	ST
29	7.306-106.0	Cylinder head screw M8x70 -8.8-A2E ISO4	4.000	ST
30	7.303-031.0	Screw M4x10 -St-P2R (In6Rd)	1.000	ST
31	7.306-022.0	Cylinder head screw M 6x20-8.8-A2E ISO47	2.000	ST
32	6.362-580.0	O-Ring seal 17,0 X 2,0-NBR 70	1.000	ST
34	5.394-908.0	Protection part	1.000	ST
900	2.883-997.0	PUMP SET HD 5/12 C	1.000	ST
902	4.624-052.0	Motor complete nur fuer Ersatz	1.000	ST
903	6.288-050.0	Engine oil 1L	1.000	ST

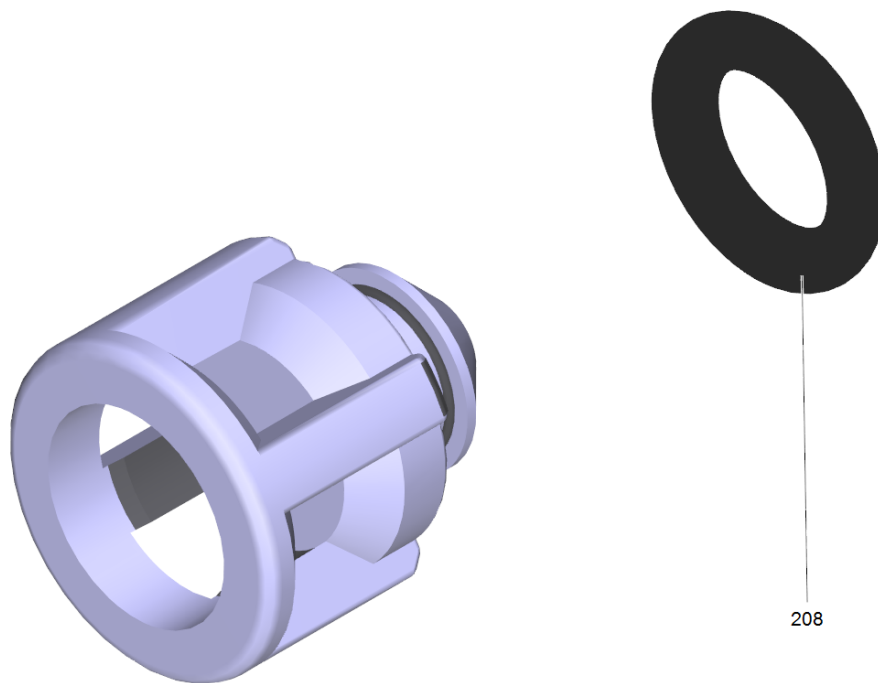
1 Cylinder head complete



## 1 Cylinder head complete

POS	Article no.	Description	Quantity	Unit
1		Part at pump set	1.000	ST
2		Part at pump set	1.000	ST
4	5.003-062.0	Plate	1.000	ST
5	5.550-372.0	Cylinder head	1.000	ST
6	5.064-383.0	Suction cover	1.000	ST
7		Part at pump set	1.000	ST
10	5.411-172.0	Screw plug	1.000	ST
11	6.362-989.0	O-Ring seal 18x2 - NBR 80	1.000	ST
26	2.885-220.0	Spare part set control piston	1.000	ST
30	4.584-022.0	Valve pin complete	1.000	ST
31	6.363-613.0	O-Ring seal 4 x 2 -NBR90	1.000	ST
33		Part at pump set	1.000	ST
34	5.411-171.0	Screw plug	1.000	ST
35	6.362-480.0	O-Ring seal 12,42x 1,78	1.000	ST
40	5.443-624.0	Nipple	1.000	ST
41	7.401-908.0	Sphere 7 G300 -1.4301 DIN 5401	1.000	ST
42	5.332-258.0	Helical spring	1.000	ST
43	6.362-113.0	O-Ring seal 6,0 x 2,0 NBR 70	1.000	ST
44	6.363-597.0	O-Ring seal 5,28 x 1,78	1.000	ST
47		Part at pump set	1.000	ST
48	7.306-105.0	Screw M6x30 -8.8-R3R (In6Rd)	4.000	ST
902	4.591-038.0	Overflow valve	1.000	ST
903	4.769-034.0	Nozzle insert only for replacement	1.000	ST





208

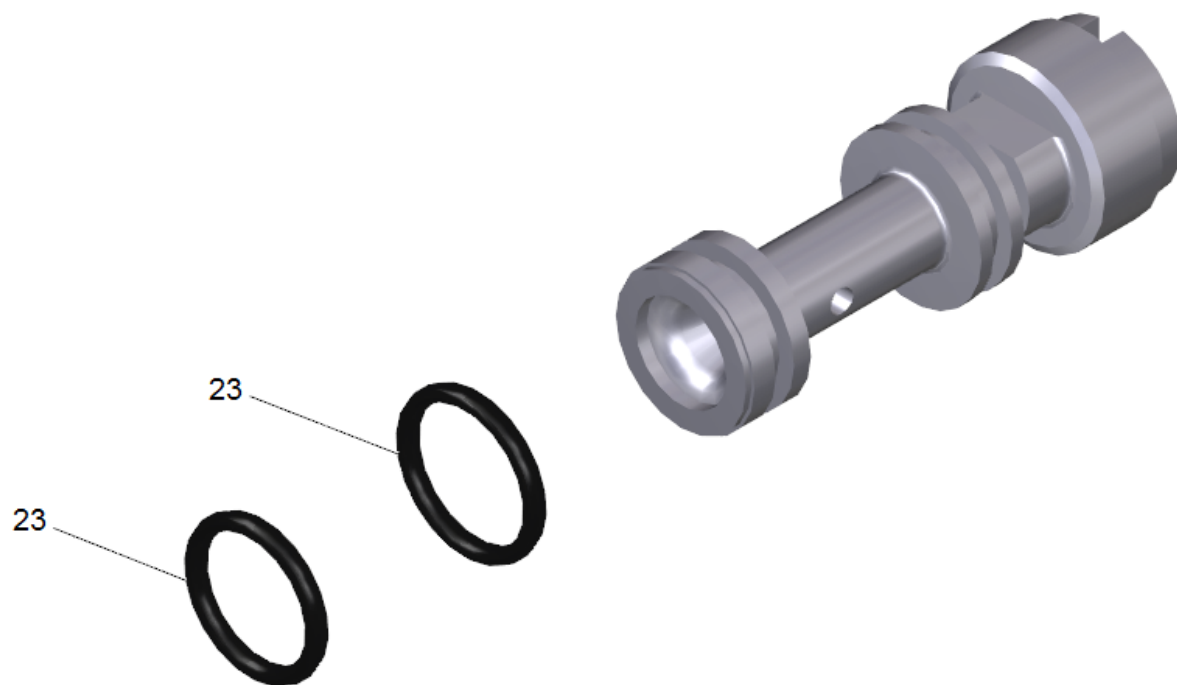
30 Valve pin complete (4.584-022.0)

---

<b>POS</b>	<b>Article no.</b>	<b>Description</b>	<b>Quantity</b>	<b>Unit</b>
208	6.363-613.0	O-Ring seal 4 x 2 -NBR90	1.000	ST

## 902 Overflow valve (4.591-038.0)

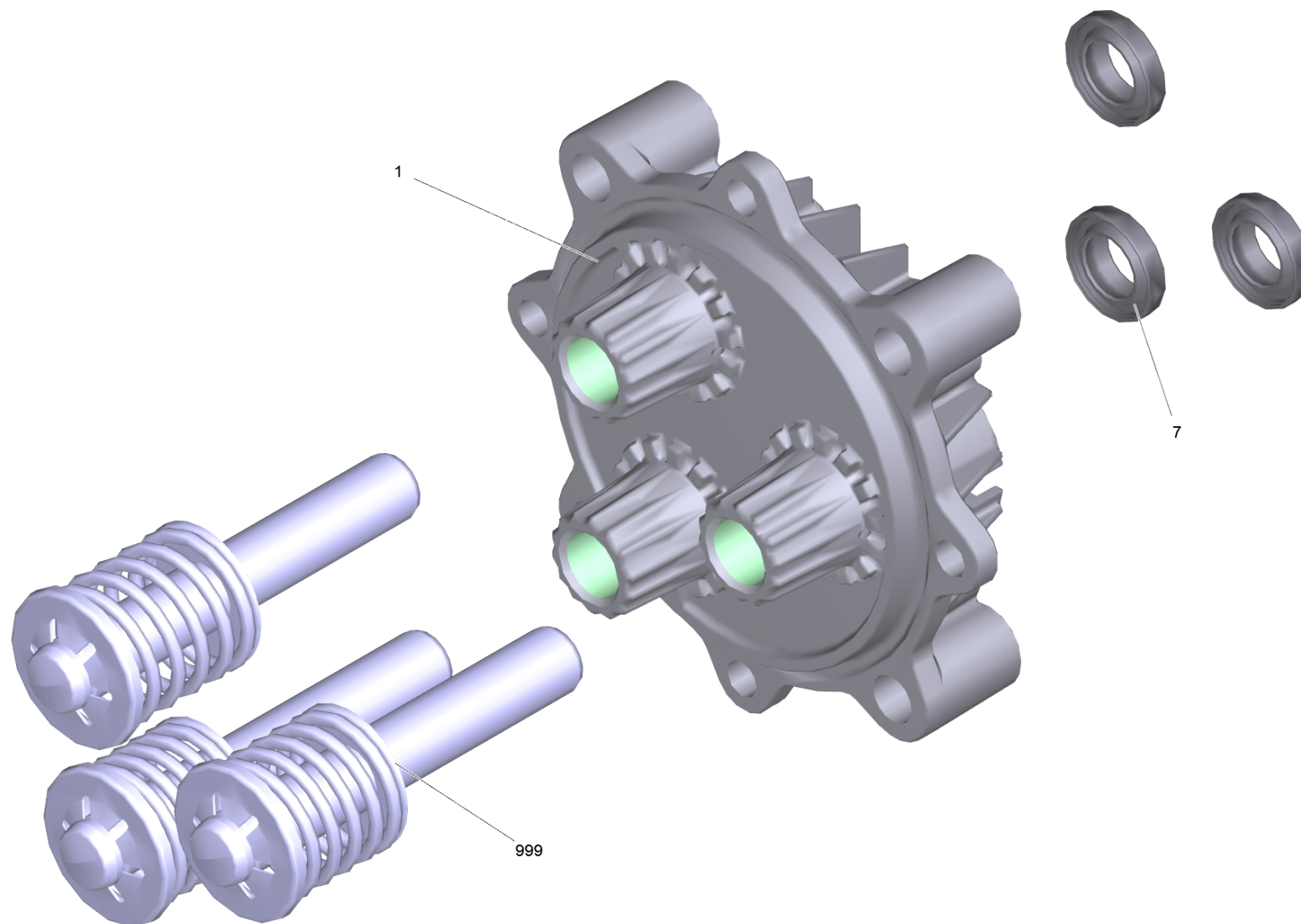
POS	Article no.	Description	Quantity	Unit
14	5.305-264.0	Shaped screw	1.000	ST
20	5.332-425.0	Helical spring	1.000	ST
26	5.553-390.0	Piston	1.000	ST
28	5.581-230.0	Valve seat	1.000	ST
42	6.288-084.0	Grease PFAE	1.000	KG
44	6.362-169.0	O-Ring seal 12,0 X 2,0	1.000	ST
47	6.362-454.0	O-Ring seal complete 2ST.-R.	1.000	ST



903 Nozzle insert only for replacement (4.769-034.0)

---

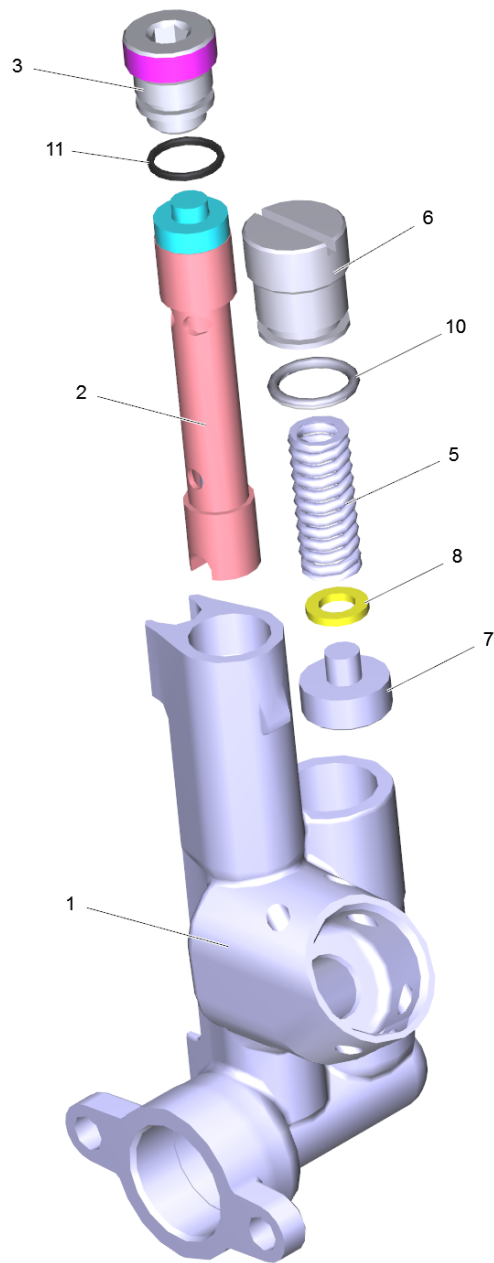
<b>POS</b>	<b>Article no.</b>	<b>Description</b>	<b>Quantity</b>	<b>Unit</b>
23	6.362-384.0	O-Ring seal 9x1,5 - NBR 70	2.000	ST



## 2 Thrust guidance

---

<b>POS</b>	<b>Article no.</b>	<b>Description</b>	<b>Quantity</b>	<b>Unit</b>
1	5.061-018.3	Thrust guidance	1.000	ST
7	6.365-001.0	Grooved ring 12x20x4/6	3.000	ST
999	4.553-289.0	Piston complete only for replacement	3.000	ST

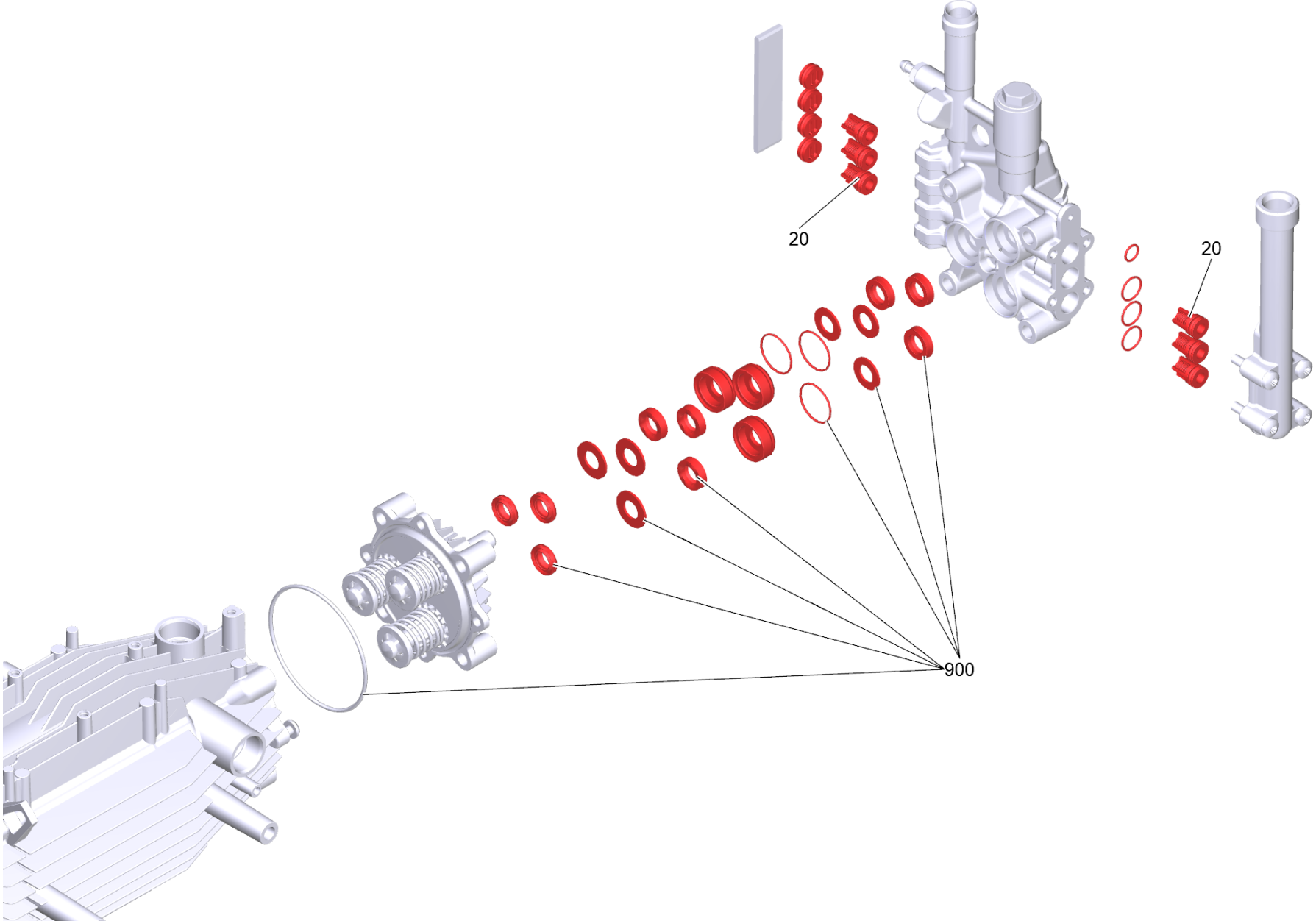




#### 4 Safety system

---

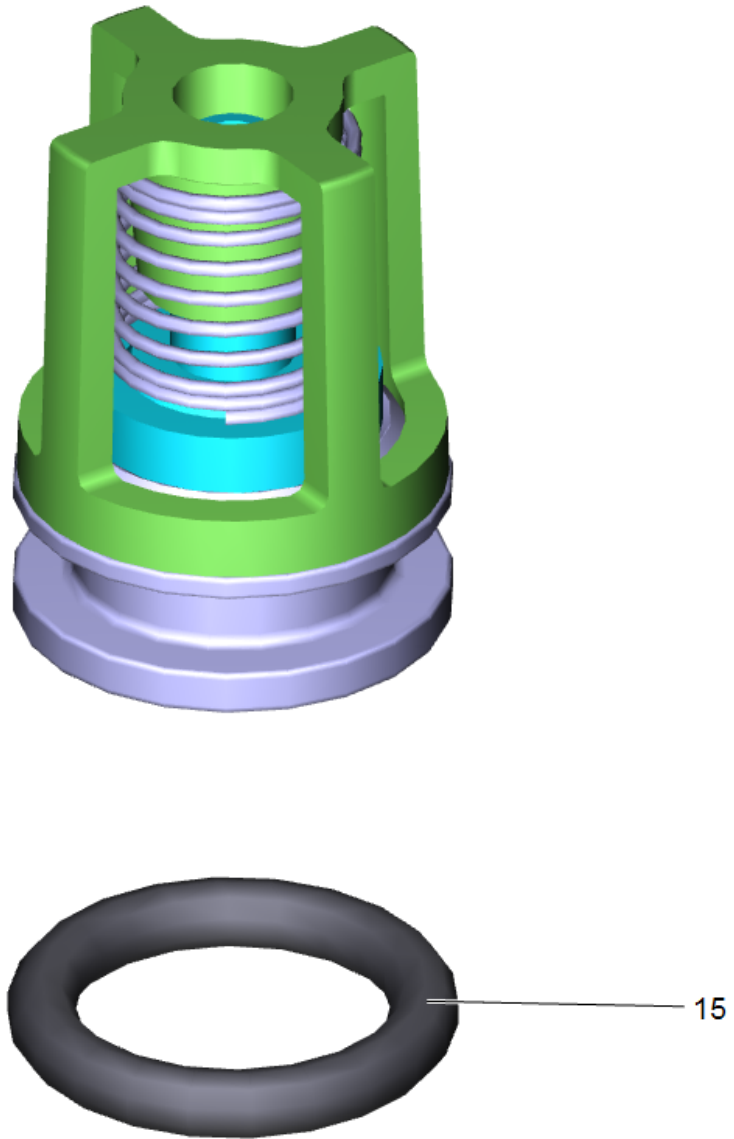
<b>POS</b>	<b>Article no.</b>	<b>Description</b>	<b>Quantity</b>	<b>Unit</b>
1	5.427-454.3	Manifold	1.000	ST
2	4.551-058.0	Cartridge protection against water short	1.000	ST
3	5.305-162.0	Shaped screw	1.000	ST
5	5.332-414.0	Helical spring	1.000	ST
6	5.583-096.0	Valve screw	1.000	ST
7	5.581-349.0	Valve disc	1.000	ST
8	5.115-260.0	Washer	1.000	ST
10	6.362-169.0	O-Ring seal 12,0 X 2,0	1.000	ST
11	6.362-482.0	O-Ring seal 10 x 1,5-NBR 70	1.000	ST



900 PUMP SET HD 5/12 C (2.883-997.0)

---

<b>POS</b>	<b>Article no.</b>	<b>Description</b>	<b>Quantity</b>	<b>Unit</b>
20	2.884-916.0	Valve (3 Stück)	2.000	ST
60	6.288-072.0	Silicon grease	1.000	ST
900	4.100-773.0	Set of gaskets	1.000	ST



20 Valve (3 Stück) (2.884-916.0)

---

<b>POS</b>	<b>Article no.</b>	<b>Description</b>	<b>Quantity</b>	<b>Unit</b>
15	6.362-077.0	O-Ring seal 10 x 2,2 NBR 70	1.000	ST

902 Motor complete nur fuer Ersatz (4.624-052.0)

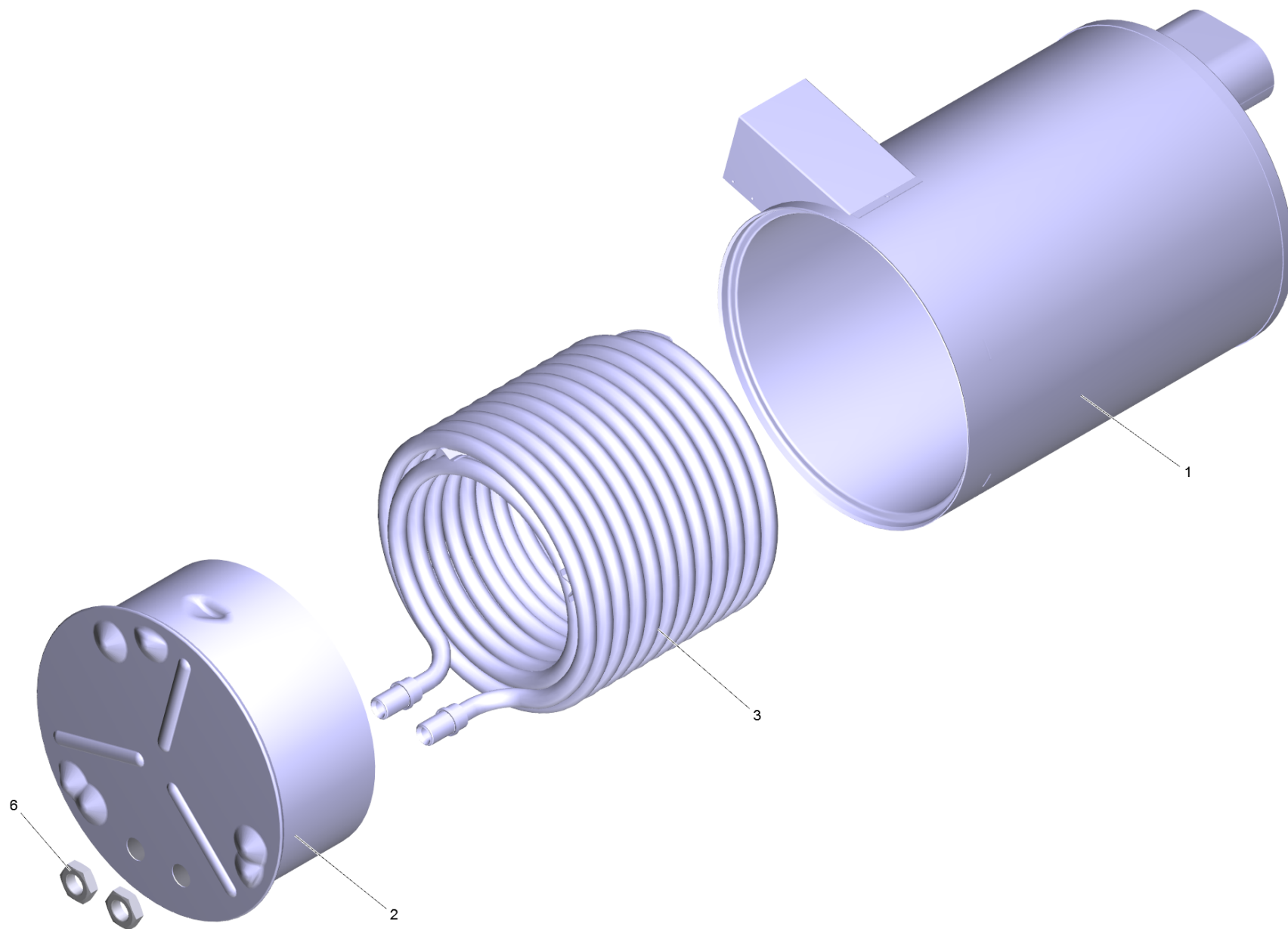
---

<b>POS</b>	<b>Article no.</b>	<b>Description</b>	<b>Quantity</b>	<b>Unit</b>
1		Motor complete HDS 5/15	1.000	ST
3	5.600-059.0	Blower wheel	1.000	ST

## 1 Motor complete HDS 5/15

---

<b>POS</b>	<b>Article no.</b>	<b>Description</b>	<b>Quantity</b>	<b>Unit</b>
2	5.094-127.0	Bearing cover B	1.000	ST
8	6.303-320.0	Screw M 5x 20-St-R2R	4.000	ST
10	7.367-001.0	Radial shaft seal ring A24x37x7 -NBR DI	1.000	ST
13	6.401-427.0	Angular contact ball bearing	1.000	ST
14	6.401-331.0	Ball bearing	1.000	ST
21	6.288-103.0	Grease high-pressure pump	0.001	KG

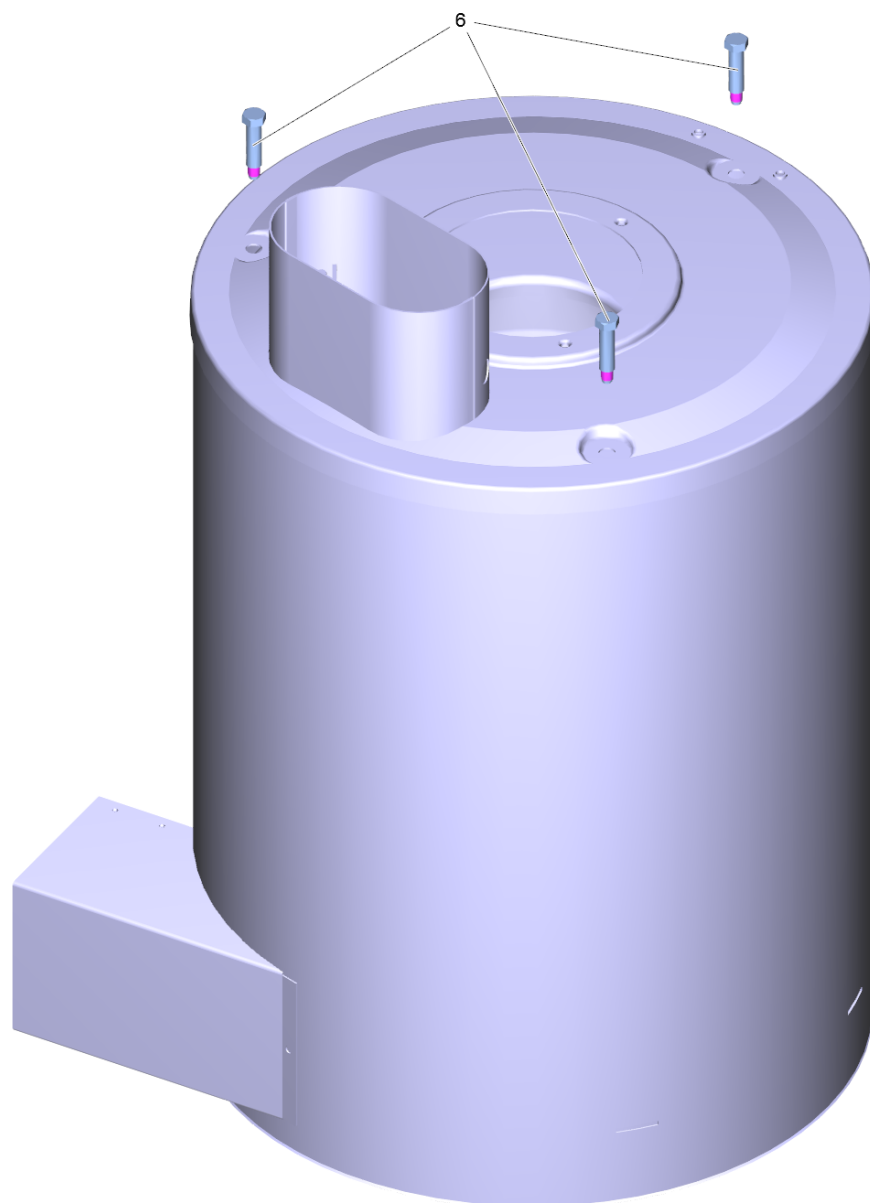




## 44 Boiler

---

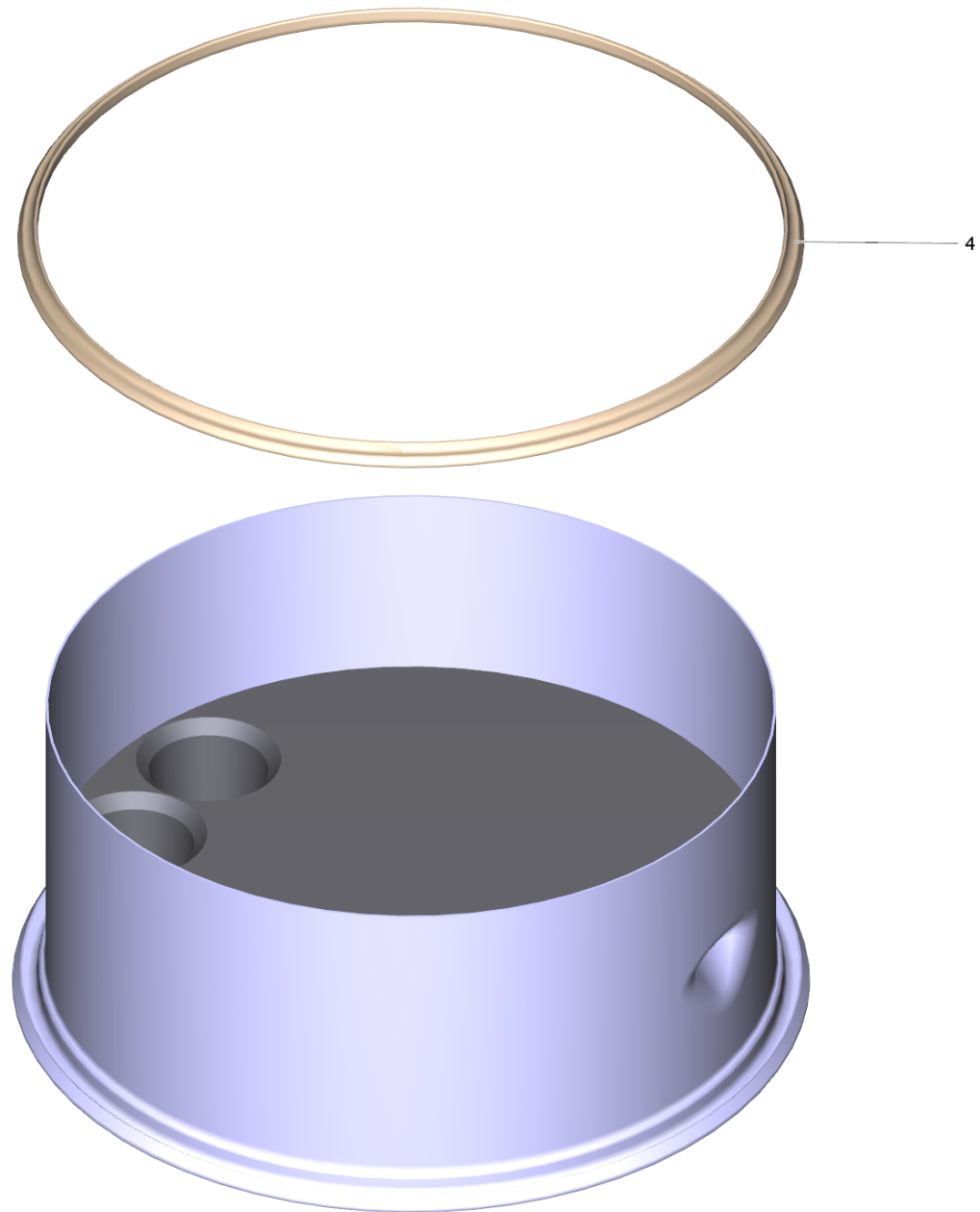
<b>POS</b>	<b>Article no.</b>	<b>Description</b>	<b>Quantity</b>	<b>Unit</b>	<b>Foot note text</b>
1	4.652-152.0	Vessel mantel complete	1.000	ST	
2	4.655-044.0	Bottom pressure boiler	1.000	ST	
3	4.680-154.0	Heating coil	1.000	ST	
3	4.680-129.0	Heating coil VA	1.000	ST	STAINLESS STEEL CONSTRUCTION
6	7.311-112.0	Hexagon nut M22X1,5 -22H-A2E DIN 936	2.000	ST	



1 Vessel mantel complete (4.652-152.0)

---

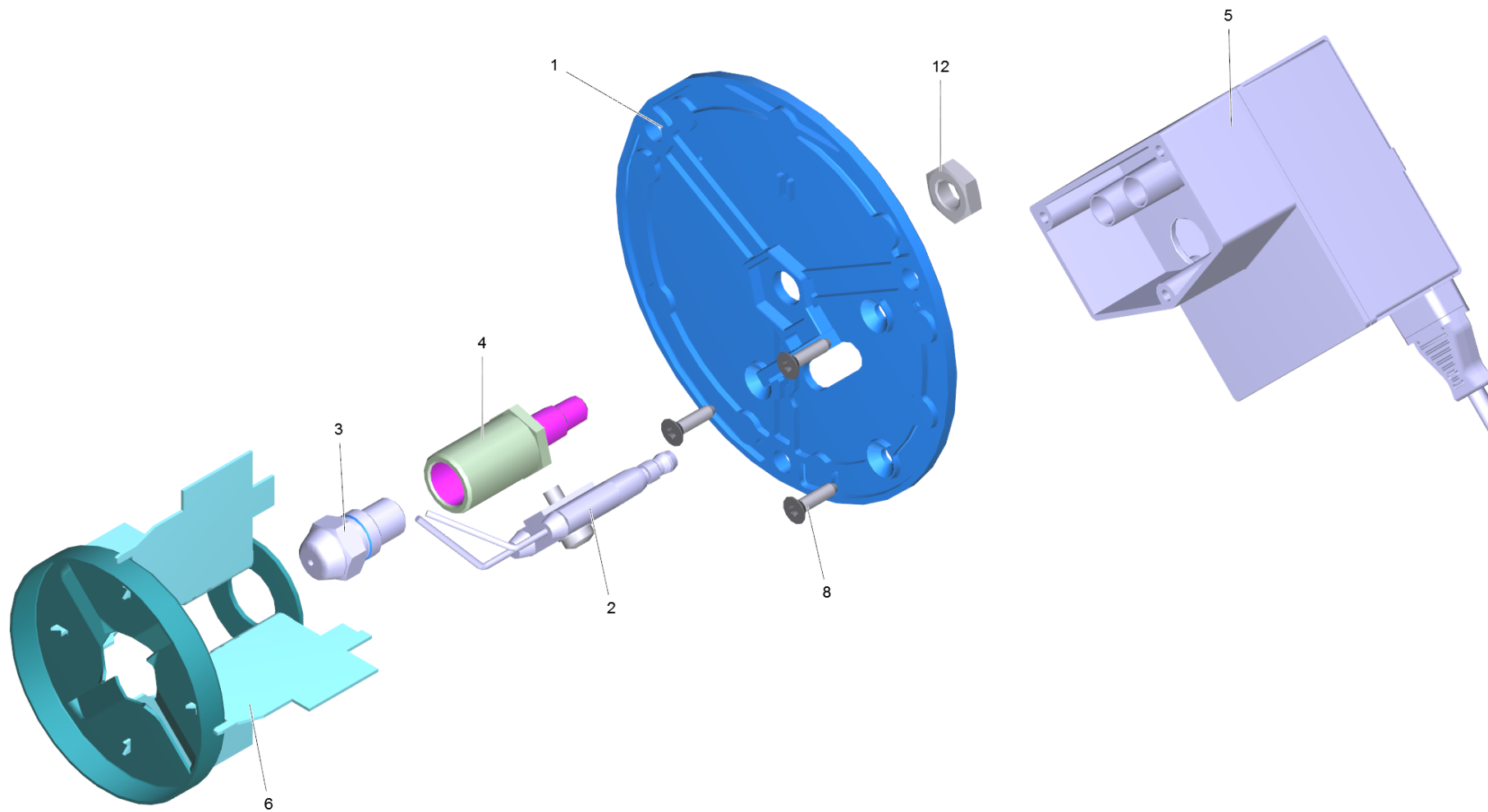
POS	Article no.	Description	Quantity	Unit
6	6.303-258.0	Self-tapping screw	3.000	ST



2 Bottom pressure boiler (4.655-044.0)

---

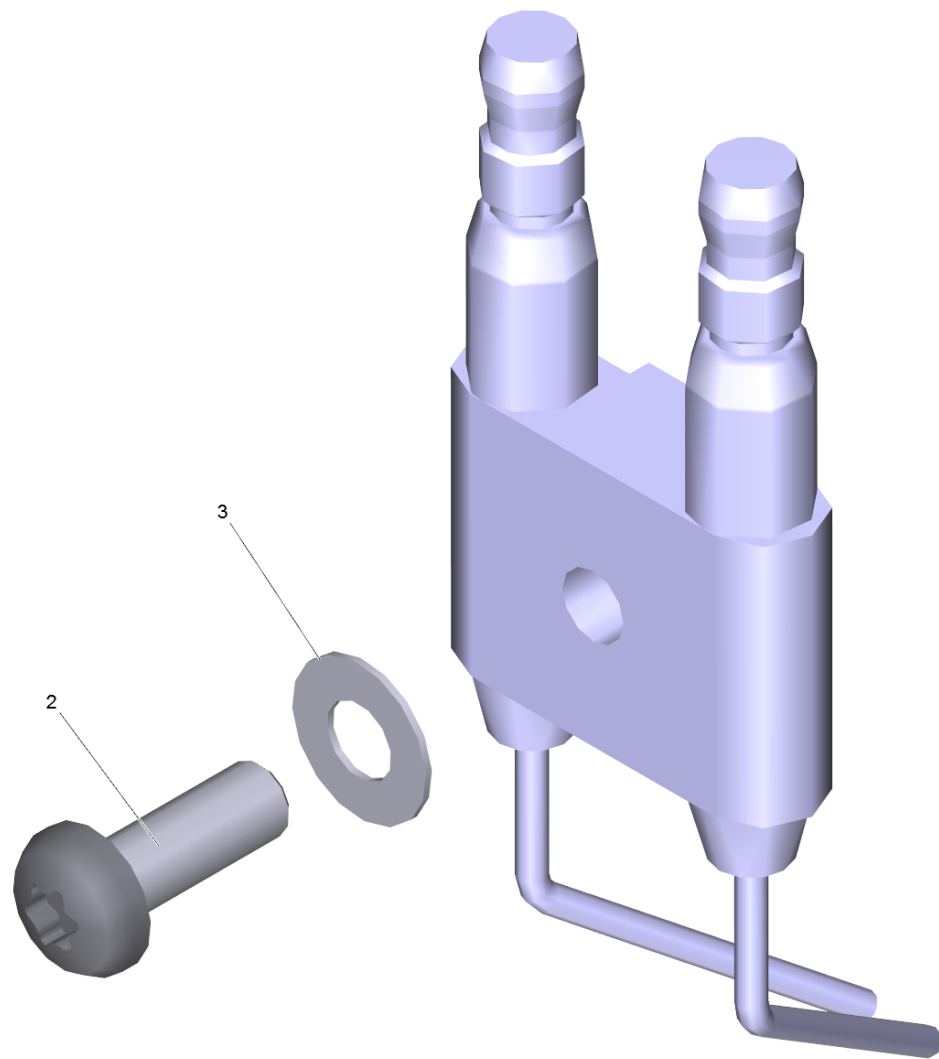
<b>POS</b>	<b>Article no.</b>	<b>Description</b>	<b>Quantity</b>	<b>Unit</b>
4	6.366-009.0	Seal string	1.000	ST
6	6.869-024.0	Quick-bonding agent	0.004	ZST



## 45 Burner complete

---

<b>POS</b>	<b>Article no.</b>	<b>Description</b>	<b>Quantity</b>	<b>Unit</b>
1	5.662-023.0	Burner cover	1.000	ST
2	2.638-974.0	Conversion kit ignition electrode	1.000	ST
3	6.415-916.0	Burner nozzle	1.000	ST
4	5.667-055.0	Nozzle holder	1.000	ST
5	4.622-021.0	Ignition transformer only for replacemen	1.000	ST
6	4.663-141.0	Baffle plate complete	1.000	ST
8	7.303-125.0	Countersunk screw 4x16 -10.9-R2R (In6Rd	3.000	ST
12	7.311-101.0	Hexagon nut M10x1 -04-A2E ISO 8675	1.000	ST

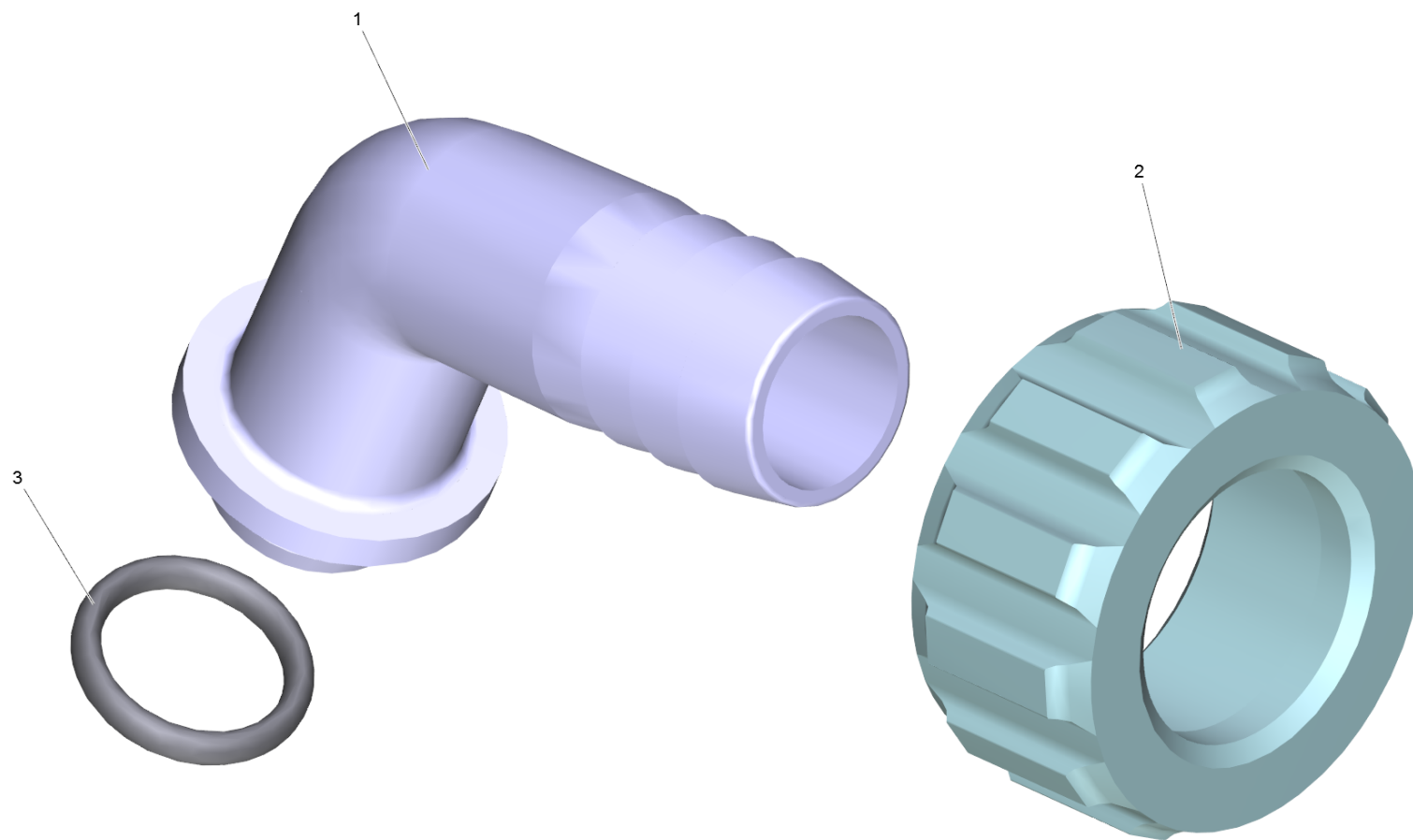




## 2 Conversion kit ignition electrode (2.638-974.0)

---

<b>POS</b>	<b>Article no.</b>	<b>Description</b>	<b>Quantity</b>	<b>Unit</b>
2	7.306-217.0	Screw M5x14 -8.8-R2R (In6Rd)	1.000	ST
3	7.312-304.0	Spring washer B 5-FST-A2E DIN 137	1.000	ST



## 53 Set mounting parts

---

<b>POS</b>	<b>Article no.</b>	<b>Description</b>	<b>Quantity</b>	<b>Unit</b>
1	5.443-285.0	Hose stem	1.000	ST
2	5.310-062.0	Nut	1.000	ST
3	6.362-078.0	O-Ring seal 13,3x2,4	1.000	ST

70 Hose fuel 130mm

---

<b>POS</b>	<b>Article no.</b>	<b>Description</b>	<b>Quantity</b>	<b>Unit</b>
1	6.389-534.0	Hose	0.130	M

71 Hose fuel 180mm

---

POS	Article no.	Description	Quantity	Unit
1	6.389-534.0	Hose	0.180	M

72 Hose fuel 230mm

---

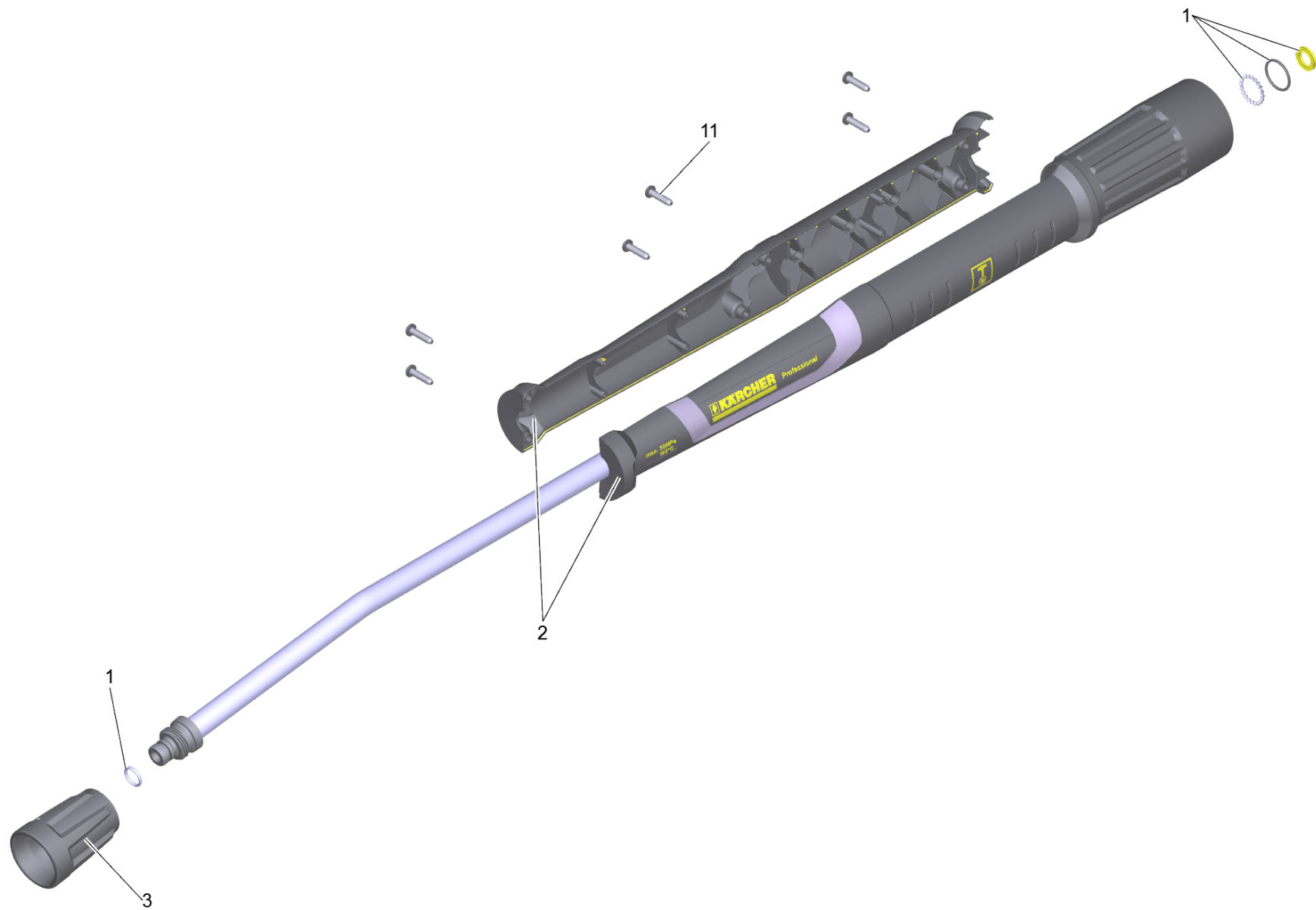
POS	Article no.	Description	Quantity	Unit
1	6.389-534.0	Hose	0.290	M

902 Jet pipe TR 840 mm (4.112-006.0)

---

POS	Description	Quantity	Unit
1	Jet pipe TR 840 mm	1.000	ST

---





## 1 Jet pipe TR 840 mm

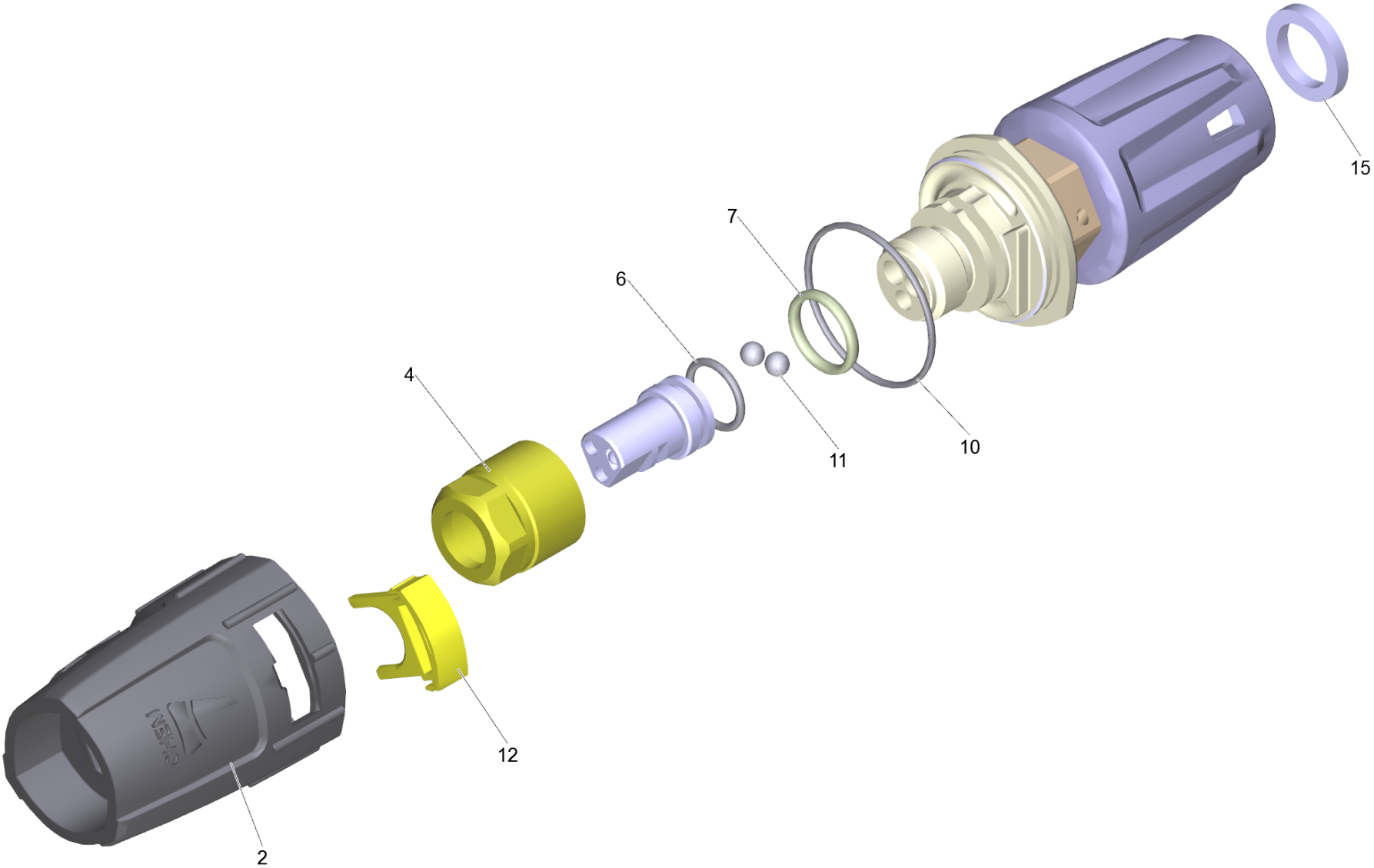
---

<b>POS</b>	<b>Article no.</b>	<b>Description</b>	<b>Quantity</b>	<b>Unit</b>
1	4.100-688.0	Spare part set seal TR	1.000	ST
2	5.321-018.3	Handle bowl jet pipe only for replacemen	1.000	ST
3	4.112-011.0	Protection part TR only for replacement	1.000	ST
11	7.303-129.0	Screw 4x16 -10.9-R2R (K-In6Rd)	6.000	ST

903 Triple jet nozzle TR 028 (4.117-024.0)

---

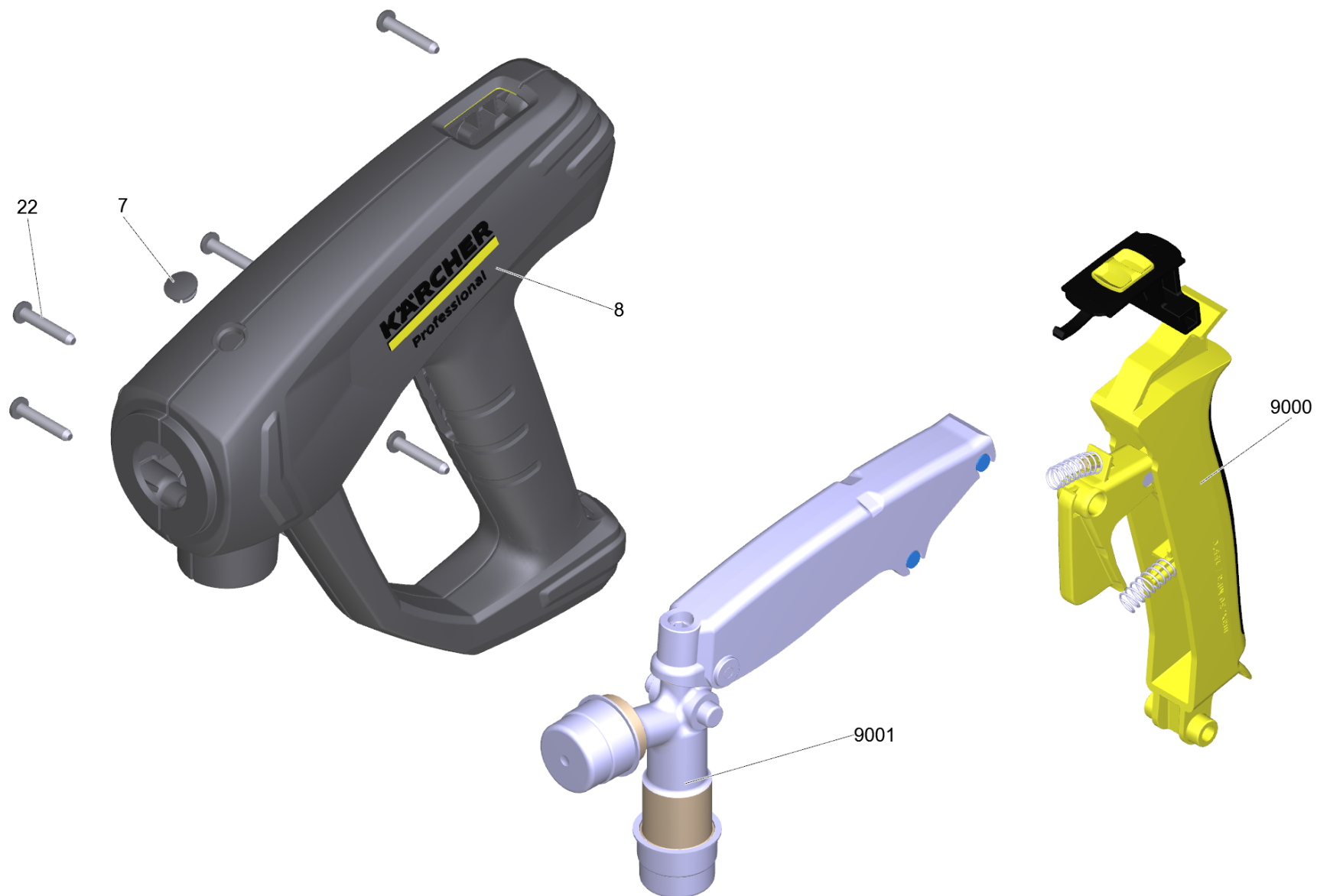
POS	Description	Quantity	Unit
1	Triple jet nozzle TR 028	1.000	ST



## 1 Triple jet nozzle TR 028

---

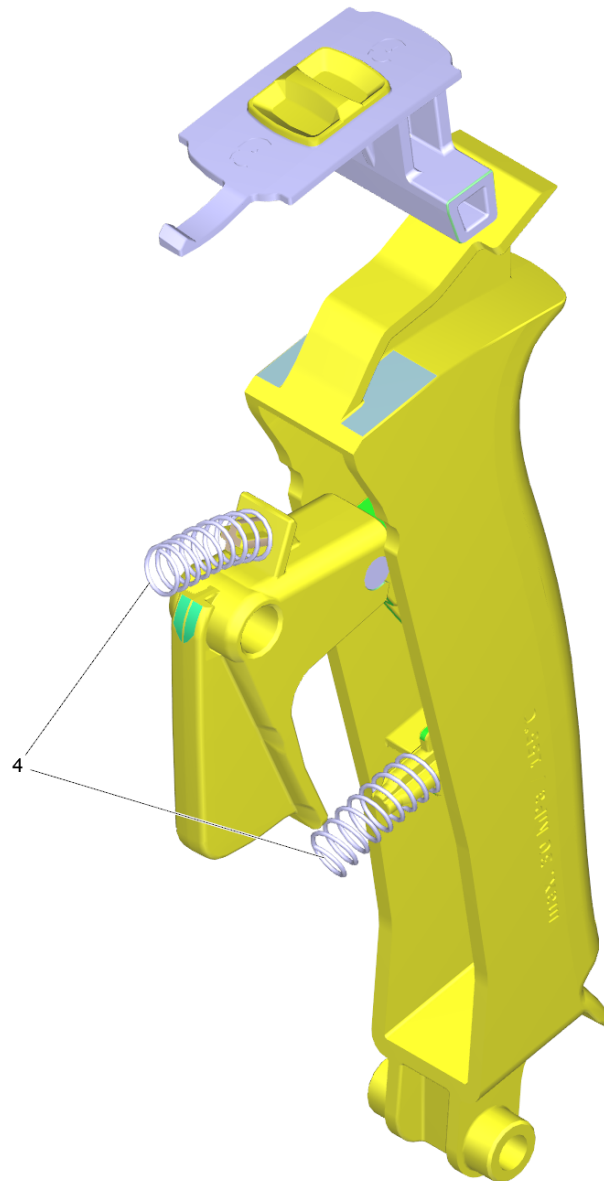
<b>POS</b>	<b>Article no.</b>	<b>Description</b>	<b>Quantity</b>	<b>Unit</b>
2	5.394-859.0	Protection part	1.000	ST
4	5.311-225.0	Nut	1.000	ST
6	6.362-480.0	O-Ring seal 12,42x 1,78	1.000	ST
7	6.362-460.0	O-Ring seal 14,0 X 2,5-NBR 70	1.000	ST
10	6.362-409.0	O-Ring seal 32,0 X 1,5	1.000	ST
11	7.401-902.0	Sphere 5 G20 -1.4034 DIN 5401	2.000	ST
12	5.321-884.0	Clamp	1.000	ST
15	6.363-696.0	Brake ring 14x20x3	1.000	ST



904 EASY!Force Advanced (4.118-005.0)

---

POS	Article no.	Description	Quantity	Unit
7	5.132-001.0	Plug	1.000	ST
8	5.321-136.3	Handhold few EH 155 only for replacement	1.000	ST
22	7.303-096.0	Screw 4x22 -ST-10.9-R2R (IN6RD)	7.000	ST
9000	2.885-483.0	Spare part set lever	1.000	ST
9001	4.427-014.0	Manifold TR EH 155 nur fuer Ersatz	1.000	ST



9000 Spare part set lever (2.885-483.0)

---

<b>POS</b>	<b>Article no.</b>	<b>Description</b>	<b>Quantity</b>	<b>Unit</b>
4	5.332-178.0	Helical spring	2.000	ST

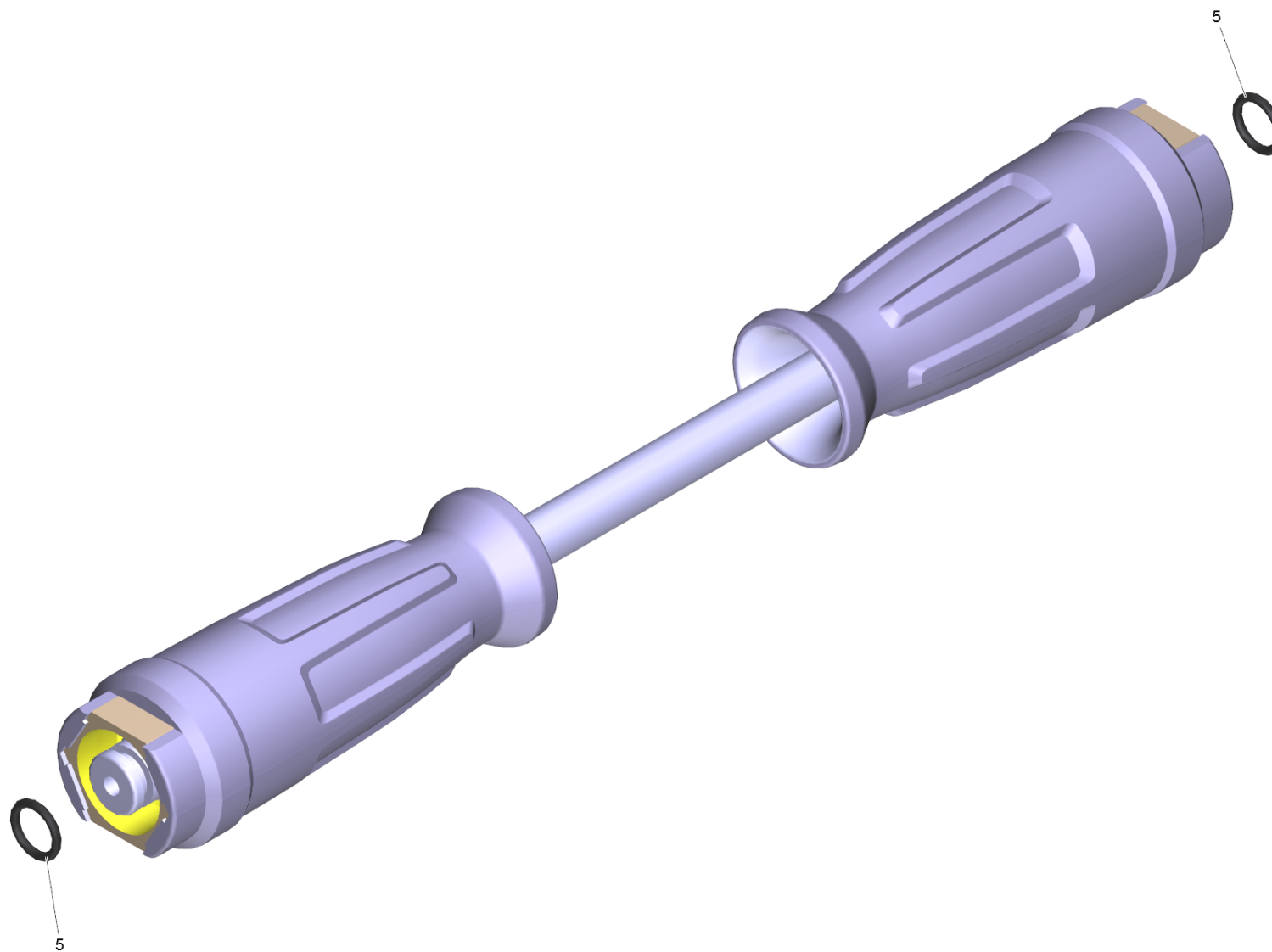




905 Cover tank only for replacement (4.645-315.0)

---

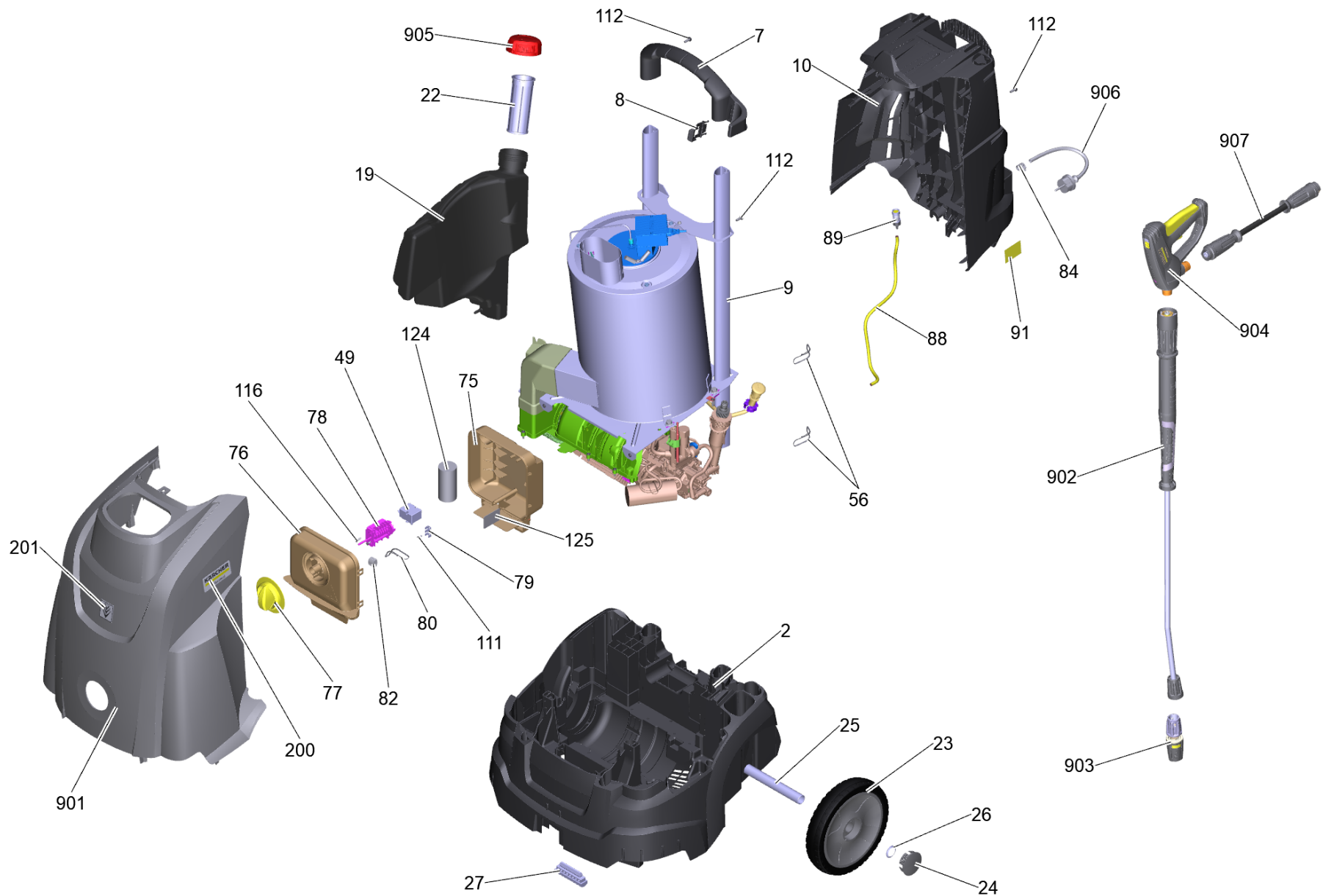
<b>POS</b>	<b>Article no.</b>	<b>Description</b>	<b>Quantity</b>	<b>Unit</b>
2	6.363-565.0	O-Ring seal 60x4	1.000	ST

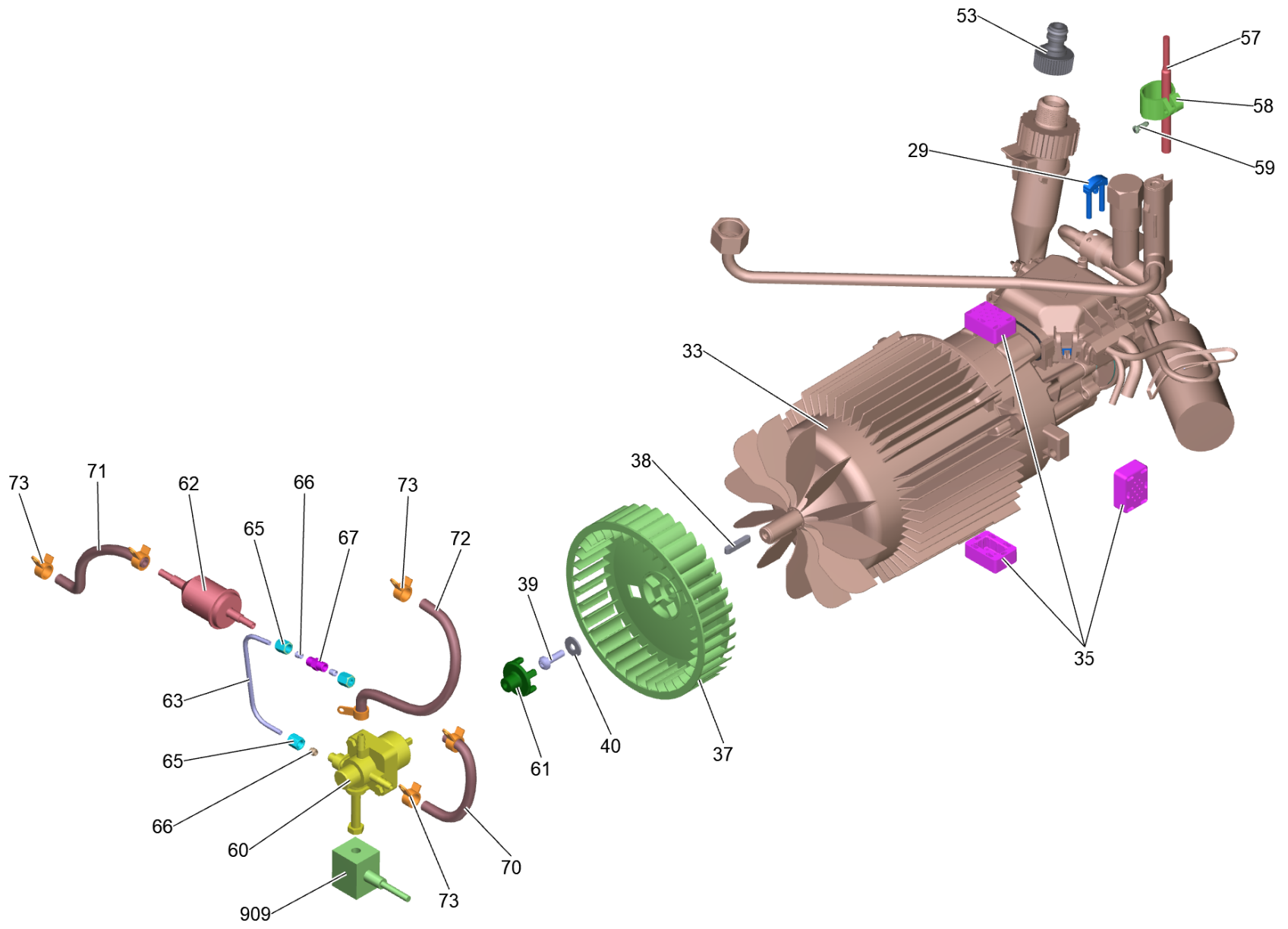


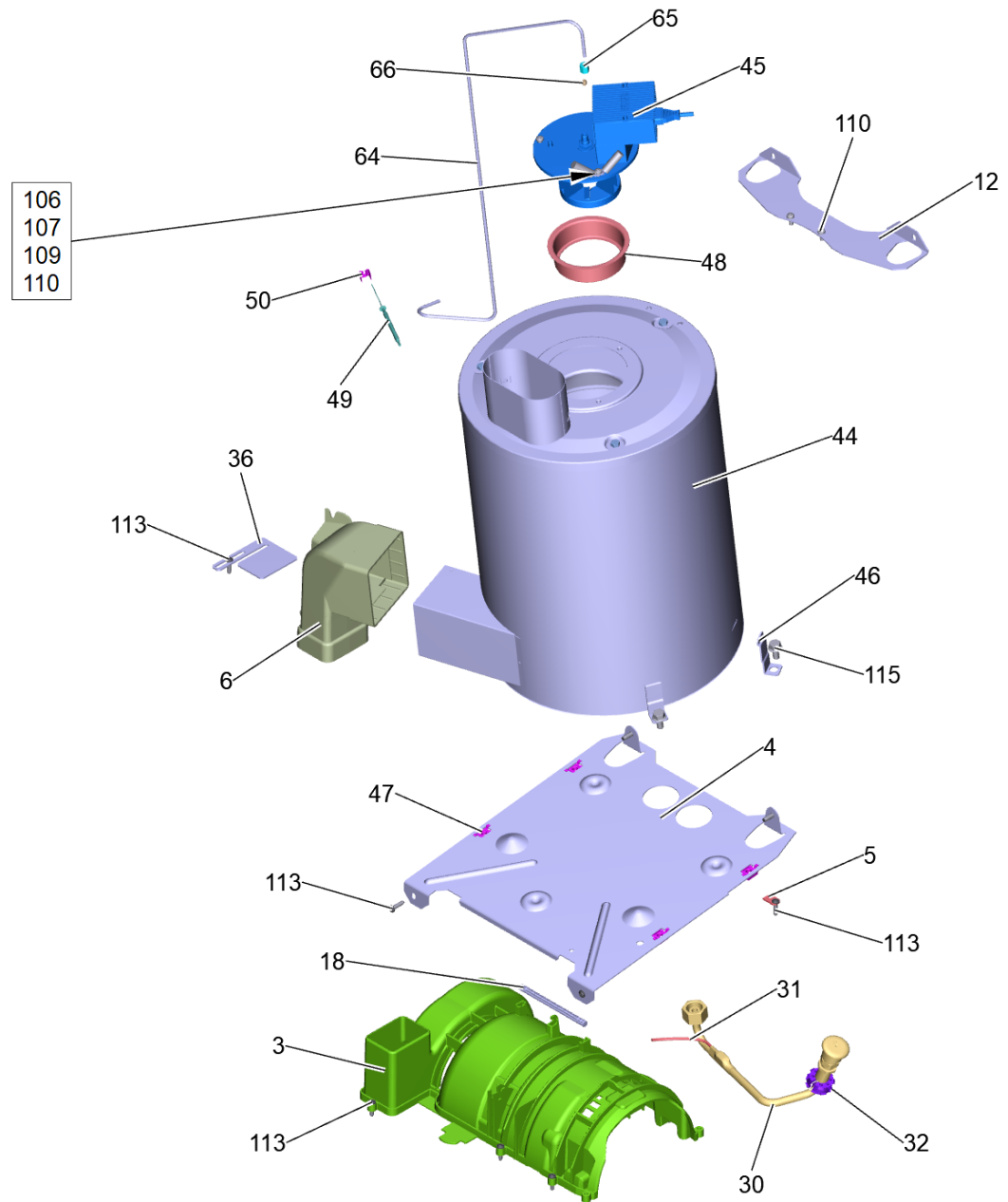
907 Hose assembly TR DN6 25MPa 10m (6.110-034.0)

---

POS	Article no.	Description	Quantity	Unit
5	2.880-154.0	O-Ring kit	1.000	ST







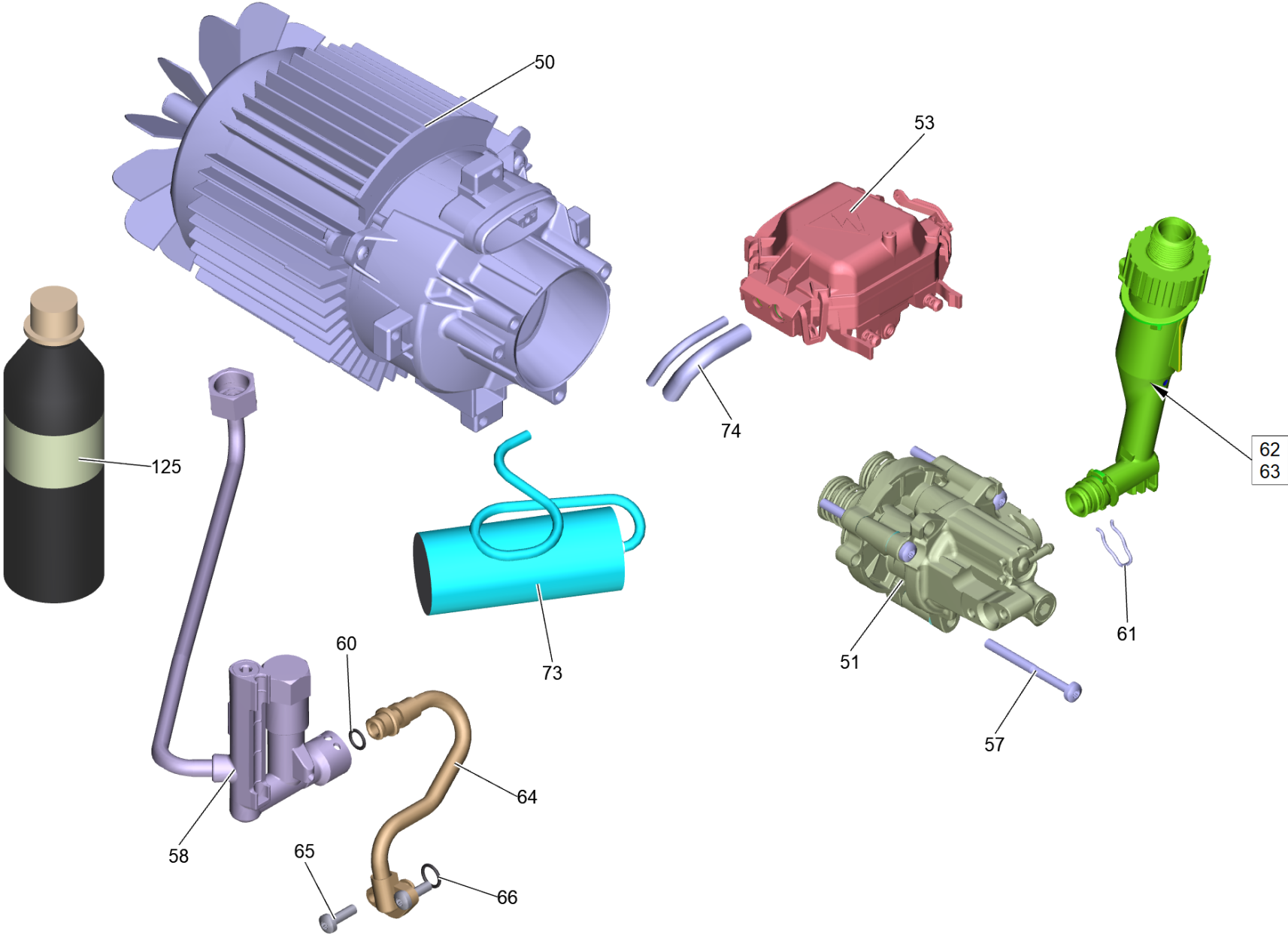
## 11 HDS 5/15 U \*EU

POS	Article no.	Description	Quantity	Unit	Foot note text
2	5.037-875.3	Chassis HDS U	1.000	ST	
3	5.692-135.3	Air circulation HDS U	1.000	ST	
4	5.010-349.0	Bottom plate HDS upright	1.000	ST	
5	5.503-018.0	Plate quick lock	1.000	ST	
6	5.409-613.0	Adapter for blower	1.000	ST	
7	5.321-751.0	Handhold	1.000	ST	
8	5.044-987.0	Holder jet pipe	1.000	ST	
9	5.107-291.0	Bar shearing shackle HDS upright U	2.000	ST	
10	5.065-732.0	Rear panel HDS upright	1.000	ST	
12	5.010-350.0	Plate shearing shackle	1.000	ST	
18	5.027-215.0	Rod	1.000	ST	
19	5.071-215.0	Tank fuel HDS upright	1.000	ST	
22	5.731-039.0	Filter	1.000	ST	
23	4.515-320.0	Wheel complete	1.000	ST	SET OF 2 PIECES
24	2.889-086.0	Set wheel cap	1.000	ST	
25	5.105-649.0	Wheel axle HDS upright	1.000	ST	
26	6.343-162.0	Lock washer -25	2.000	ST	
27	5.057-062.0	Support	1.000	ST	
29	4.037-013.0	Hook	1.000	ST	
30	4.422-125.3	Pipelines complete HDS-U	1.000	ST	
31	6.686-469.0	Cable temperature limiter	1.000	ST	
32	5.767-023.0	Rubber buffer	1.000	ST	
33		Pump set HDS U 5/15/13/11 *EU	1.000	ST	
35	5.767-029.0	Rubber buffer	4.000	ST	
36	5.606-010.0	Air flap HDS upright	1.000	ST	
37	5.600-062.0	Blower wheel	1.000	ST	
38	7.318-005.0	Parallel key 5x5x28-C45K DIN 6885	1.000	ST	
39	6.304-053.0	Screw M6X20-ZNBHL (Precote 30-3)	1.000	ST	
40	7.312-276.0	Washer 6 -200HV-A2E ISO7093-1	1.000	ST	
44		Boiler	1.000	ST	
45		Burner complete	1.000	ST	
46	5.044-420.0	Holder	4.000	ST	
47	6.310-081.0	Cage nut M 8	4.000	ST	



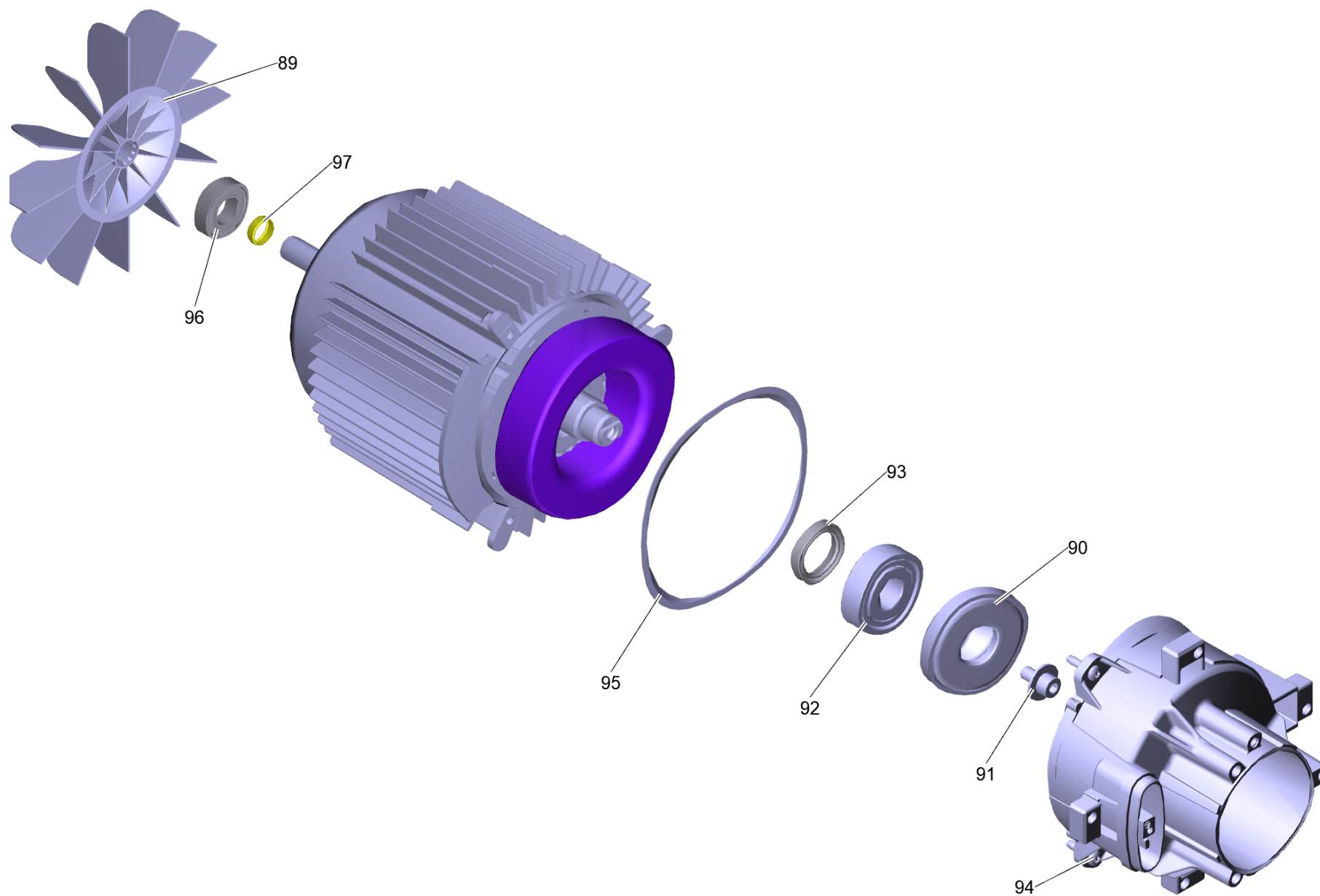
POS	Article no.	Description	Quantity	Unit	Foot note text
48	5.664-272.0	Flame tube	1.000	ST	
49	6.686-502.0	Thermostat fixed adjusted	1.000	ST	
50	5.034-834.0	Holder probe	1.000	ST	
53	6.465-031.0	Connection 3/4	1.000	ST	
56	6.641-463.0	Cable tape	2.000	ST	
57	2.883-384.0	Reed switch replacement	1.000	ST	
58	5.041-076.0	Clamp	1.000	ST	
59	6.303-122.0	M4 .2X13 DIN 7981 TORX T15 PAN HD HI/LO	1.000	ST	
60	6.472-992.0	Fuel pump only for replacement	1.000	ST	
61	5.471-097.0	Coupler fuel pump	1.000	ST	
62	6.414-413.0	Fuel filter	1.000	ST	
63	5.423-413.0	Conduit fuel	1.000	ST	
64	5.423-414.0	Conduit fuel	1.000	ST	
65	6.389-262.0	Union nut A 4-LL	2.000	ST	
66	6.389-263.0	Cutting ring d.4	2.000	ST	
67	6.392-208.0	Screw connector	1.000	ST	
70		Hose fuel 130mm	1.000	ST	
71		Hose fuel 180mm	1.000	ST	
72		Hose fuel 230mm	1.000	ST	
73	6.389-924.0	Hose clip	6.000	ST	
75	5.064-394.0	Bottom electric box	1.000	ST	
76	5.064-353.0	Cover electric box HDS upright	1.000	ST	
77	5.322-111.0	Handle	1.000	ST	
78	4.630-003.0	Rotary switch only for replacement	1.000	ST	
79	6.641-270.0	Plug	1.000	ST	
80	6.647-081.0	Cable tape	1.000	ST	
82	6.646-748.0	Clamp for cable 0,08-2,5mm²	1.000	ST	
84	6.647-681.0	Cable clip	1.000	ST	
88	6.388-216.0	Hose DN 5	1.050	M	
89	4.862-225.0	Filter chemistry regulation	1.000	ST	
91	5.392-966.0	Warning sign	1.000	ST	
93	5.383-342.0	Label fuel oil einfuellen	1.000	ST	
106	6.641-269.0	Tab	1.000	ST	

POS	Article no.	Description	Quantity	Unit	Foot note text
107	7.312-172.0	Toothed lock washer A5,3-FSt-A3E DIN 67	1.000	ST	
109	4.821-131.0	Cable 1,5x1240-GG	1.000	ST	
110	7.303-038.0	Screw M5x12 -St-P2R (In6Rd)	5.000	ST	
111	7.303-106.0	Screw 4x12 -10.9-R2R (IN6RD)	1.000	ST	
112	7.303-047.0	Screw M6x16 -St-R3R (In6Rd)	8.000	ST	
113	7.303-108.0	Screw 5x20 -10.9-R2R (In6Rd)	13.000	ST	
115	7.304-051.0	Hexagonal head screw M 8x16-8.8-P2R EN	4.000	ST	
116	7.305-019.0	Countersunk screw M4x16 -8.8-R2R (In6Rd)	2.000	ST	
124	6.661-129.0	Capacitor 25MF	1.000	ST	
125	5.048-251.0	Plate	1.000	ST	
200	5.385-512.0	Label logo glued L Professional	2.000	ST	
201	5.385-517.0	Label signet glued L Professional	1.000	ST	
901	4.069-023.0	Cover neutrally nur fuer Ersatz	1.000	ST	
902	4.112-006.0	Jet pipe TR 840 mm	1.000	ST	
903	4.117-024.0	Triple jet nozzle TR 028	1.000	ST	
904	4.118-005.0	EASY!Force Advanced	1.000	ST	
905	4.645-315.0	Cover tank only for replacement	1.000	ST	
906	4.649-044.0	Cable with plug nur für Ersatz	1.000	ST	
907	6.110-034.0	Hose assembly TR DN6 25MPa 10m	1.000	ST	
909	6.473-559.0	Coil fuel pump	1.000	ST	



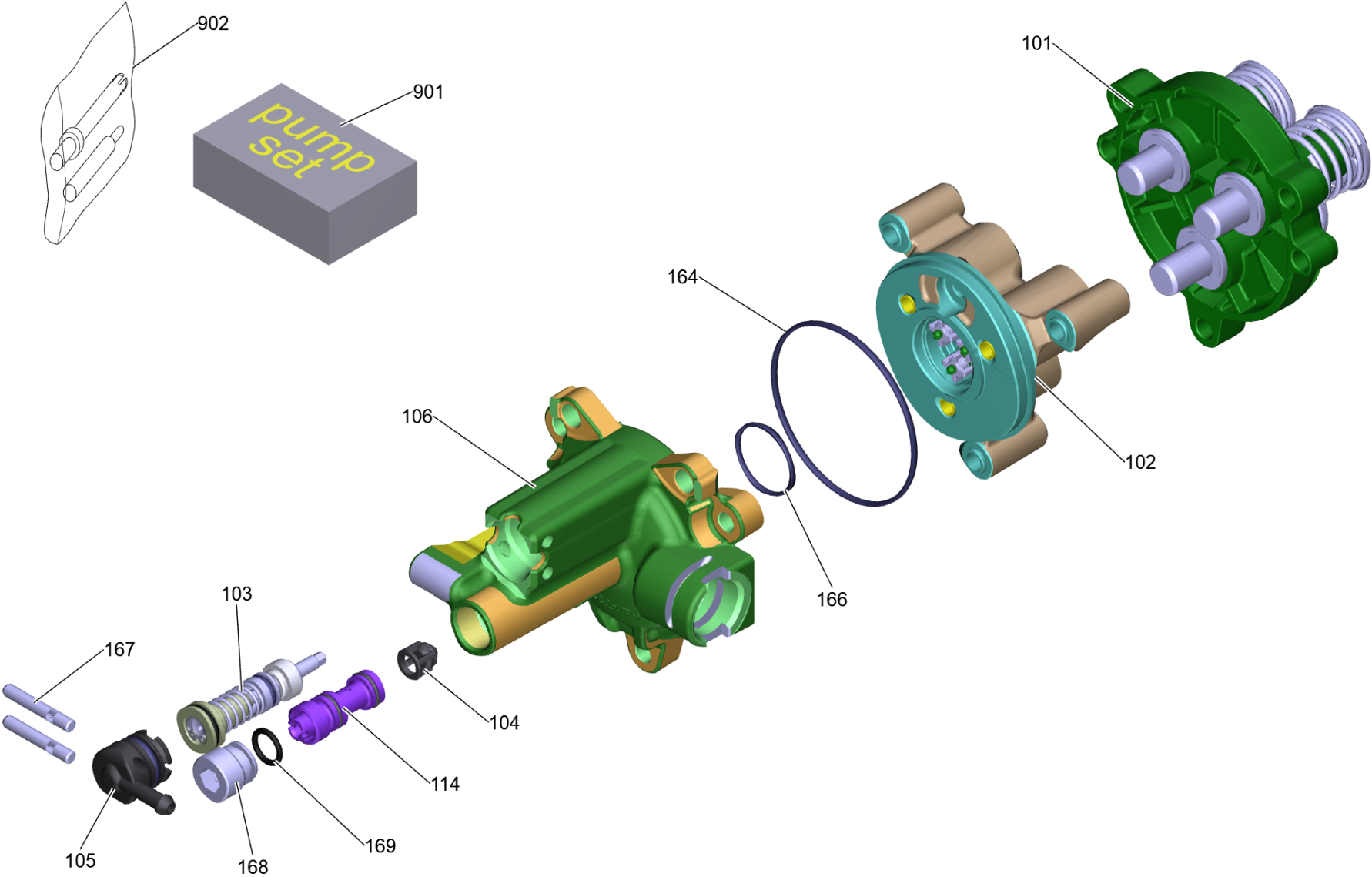
## 33 Pump set HDS U 5/15/13/11 \*EU

POS	Article no.	Description	Quantity	Unit
50	4.553-335.3	Transmission HDS U 5/15/13/11 *EU	1.000	ST
51		Pump head complete HDS U 5/15/13/11 *EU	1.000	ST
53		Electric box complete HDC	1.000	ST
57	7.306-268.0	Screw M6x70 -8.8-R3R (In6Rd)	3.000	ST
58		Safety system HDS U	1.000	ST
60		O-Ring seal 10x 2 mm FKM Shore IRHD 90	1.000	ST
61	5.048-915.0	Clamp	1.000	ST
62		Water intake complete HDS U	1.000	ST
63	6.363-610.0	O-Ring seal 13 x 3 -NBR	1.000	ST
64	4.422-175.3	Pipelines high-pressure outlet HDS U	1.000	ST
65	7.306-092.0	Screw M6x20-ST- 8.8-R3R (IN6RD)	2.000	ST
66	6.362-151.0	O-Ring d. 10 x 2 NBR 70	1.000	ST
73	6.650-109.0	Capacitor with cable 40 µF (Silikon)	1.000	ST
74	6.651-731.0	Cable motor HDS U 4x1,5 mm <sup>2</sup>	1.000	ST
125	6.288-050.0	Engine oil 1L	1.000	ST
999	2.901-048.0	Tool	1.000	ST



## 50 Transmission HDS U 5/15/13/11 \*EU (4.553-335.3)

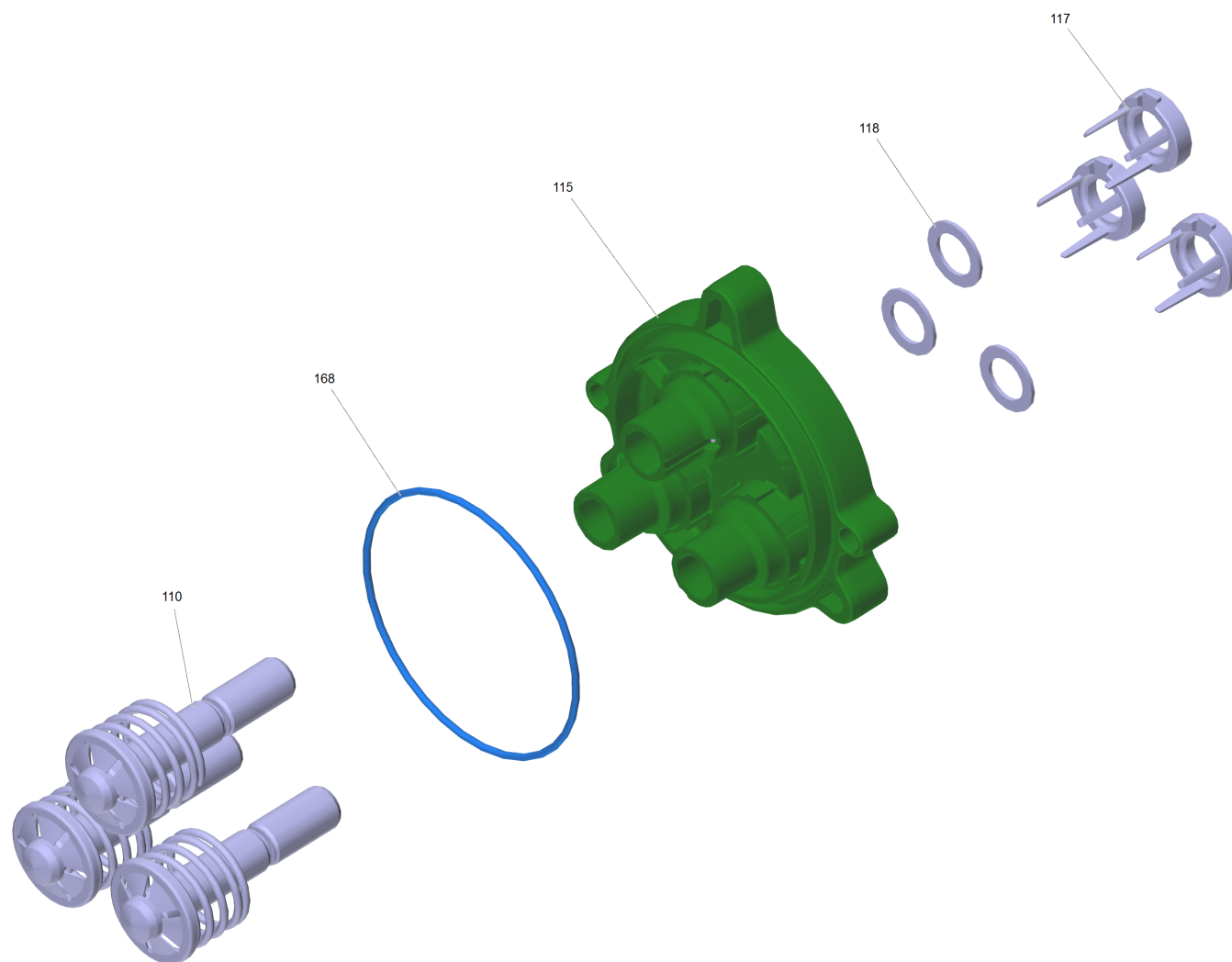
POS	Article no.	Description	Quantity	Unit
89	5.600-059.0	Blower wheel	1.000	ST
90	6.401-289.0	Wobble plate	1.000	ST
91	9.086-169.0	Wobble plate screw M8x16	1.000	ST
92	6.401-427.0	Angular contact ball bearing	1.000	ST
93	7.367-024.0	Radial shaft seal ring A26x37x7 -FKM DIN	1.000	ST
94	6.303-320.0	Screw M 5x 20-St-R2R	3.000	ST
95	5.363-743.0	Joint ring	1.000	ST
96	6.401-331.0	Ball bearing	1.000	ST
97	6.343-228.0	Tolerance ring	1.000	ST
125	6.288-050.0	Engine oil 1L	1.000	ST



## 51 Pump head complete HDS U 5/15/13/11 \*EU

POS	Article no.	Description	Quantity	Unit
101		Piston guidance kpl.	1.000	ST
102	4.550-942.0	Cylinder head complete brass	1.000	ST
103	2.885-408.0	Control piston complete replacement	1.000	ST
104	4.584-022.0	Valve pin complete	1.000	ST
105	4.580-702.0	Plug complete	1.000	ST
106	5.062-825.3	Housing HDS	1.000	ST
114	4.100-794.0	Nozzle insert cpl. for replacement	1.000	ST
164	6.363-616.0	O-Ring seal 60,0x2,0 -NBR70	1.000	ST
166	6.362-562.0	O-Ring seal 21,95X 1,78-NBR 90	1.000	ST
167	5.314-150.0	Pin	2.000	ST
168	5.411-168.0	Valve screw M16x1	1.000	ST
169	6.362-528.0	O-Ring seal 9,5 X 2,0	1.000	ST
901	2.885-377.0	Pump set HDC	1.000	ST
902	2.901-049.0	Set from valve retainer and drive-in man	1.000	ST

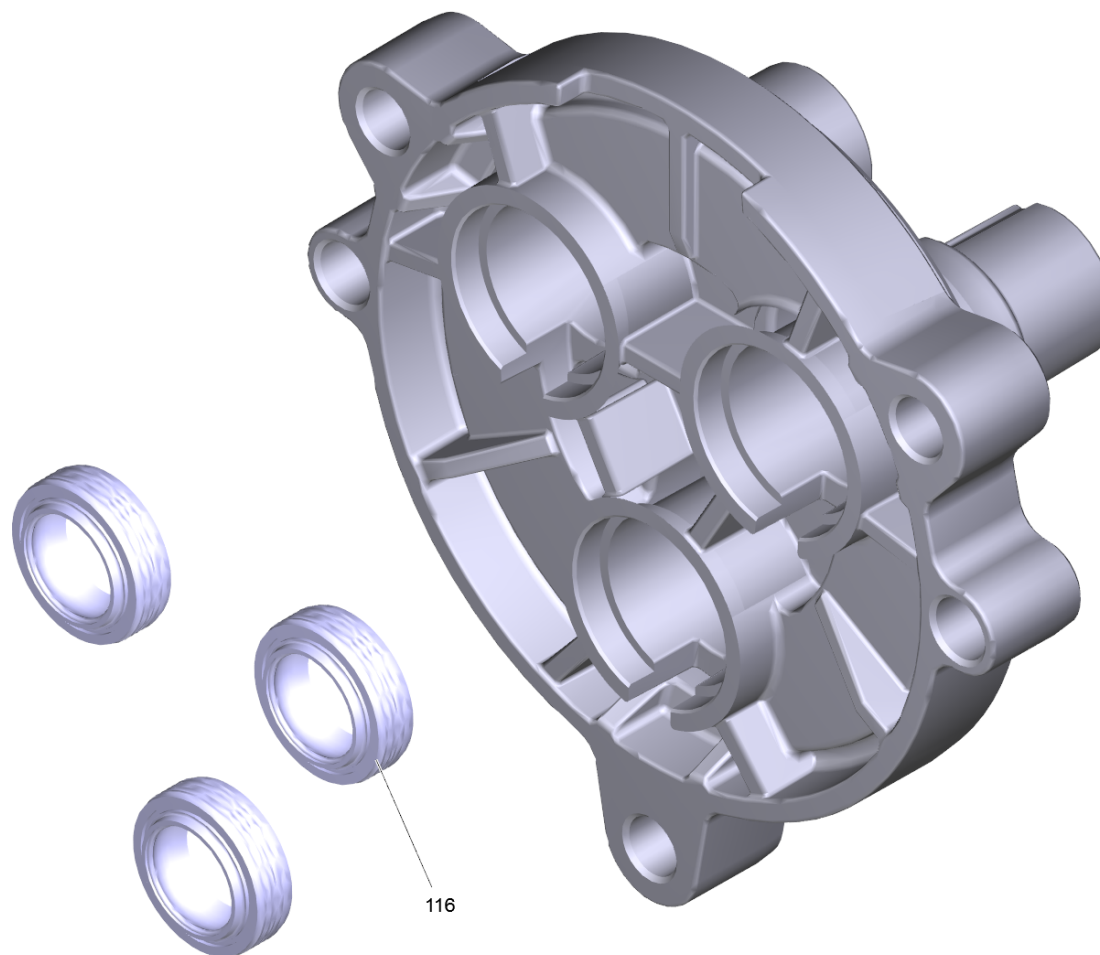




## 101 Piston guidance kpl.

---

<b>POS</b>	<b>Article no.</b>	<b>Description</b>	<b>Quantity</b>	<b>Unit</b>
110	4.553-319.0	Piston complete	3.000	ST
115	2.060-000.0	Piston guidance for replacement	1.000	ST
117	5.116-381.0	Supporting disk	3.000	ST
118	5.116-380.0	Washer piston guidance	3.000	ST
168	6.363-449.0	O-Ring seal 72x2 -NBR70	1.000	ST

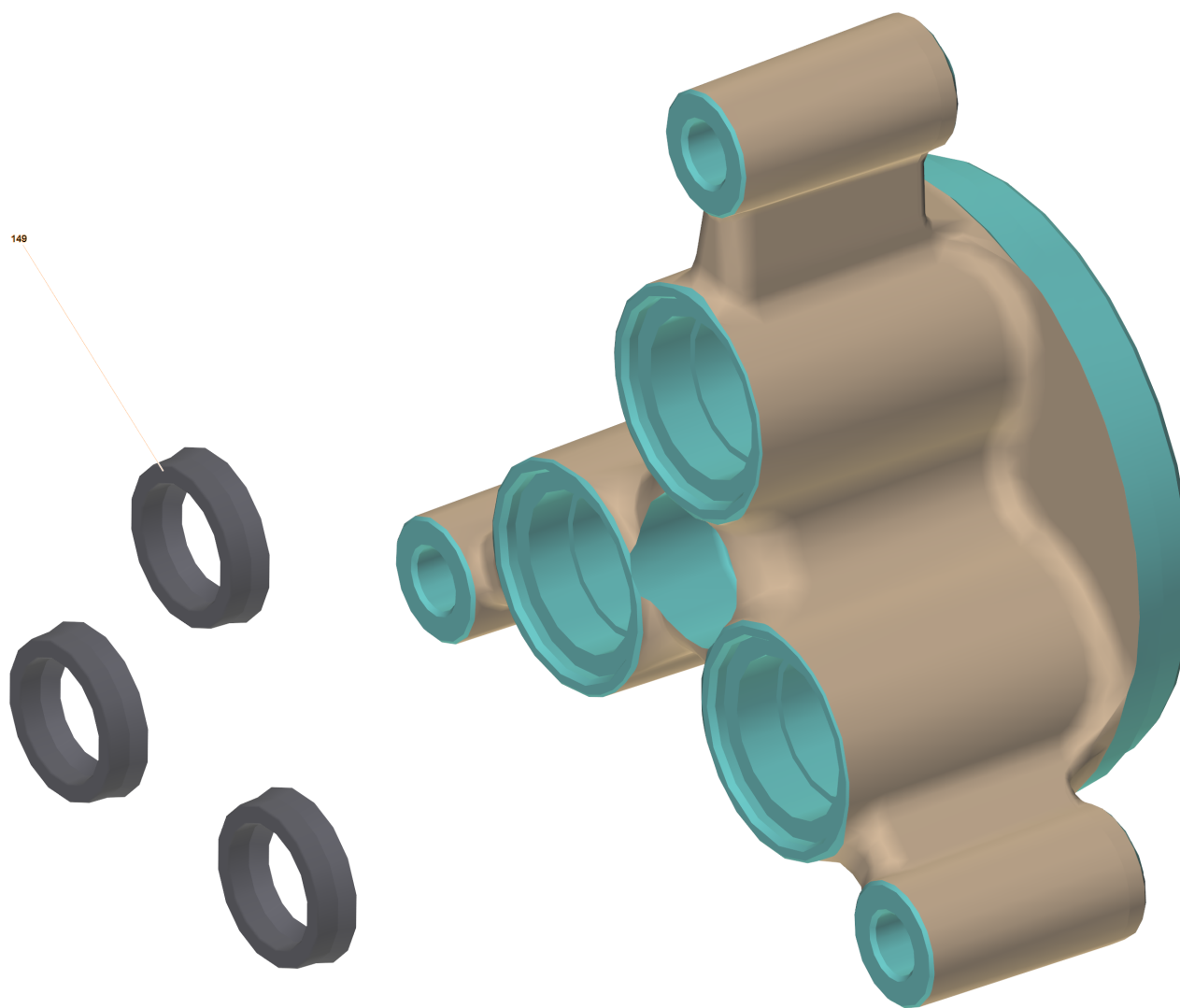


116

115 Piston guidance for replacement (2.060-000.0)

---

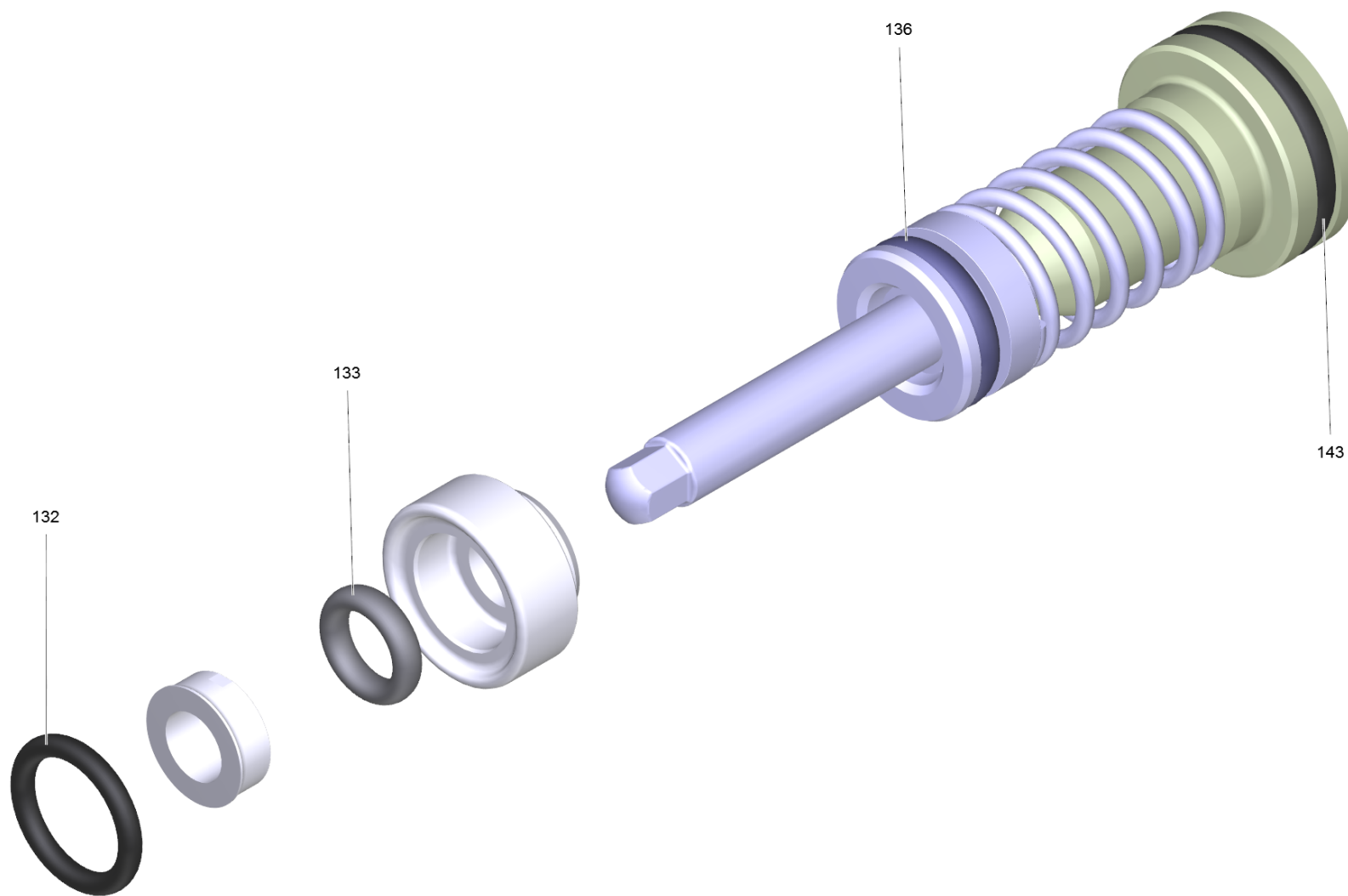
<b>POS</b>	<b>Article no.</b>	<b>Description</b>	<b>Quantity</b>	<b>Unit</b>
116	6.363-633.0	Grooved ring 12x18x6/5/1	3.000	ST



102 Cylinder head complete brass (4.550-942.0)

---

POS	Article no.	Description	Quantity	Unit
149	6.363-435.0	Grooved ring 12x17x4,25/2,5	3.000	ST

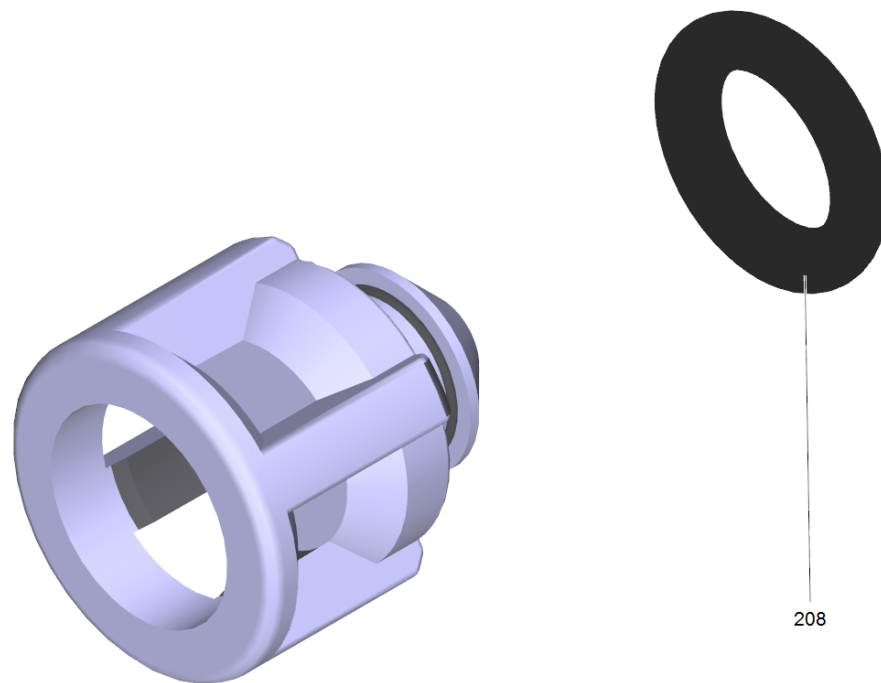


## 103 Control piston complete replacement (2.885-408.0)

---

<b>POS</b>	<b>Article no.</b>	<b>Description</b>	<b>Quantity</b>	<b>Unit</b>
132	6.362-101.0	O-Ring seal 8 X 2	1.000	ST
133	6.363-606.0	O-Ring seal 4,7 x 1,9 -NBR70	1.000	ST
136	6.363-614.0	O-Ring seal 9 x 2 -NBR90	1.000	ST
143	6.362-381.0	O-Ring seal 13x2 - NBR 70	1.000	ST





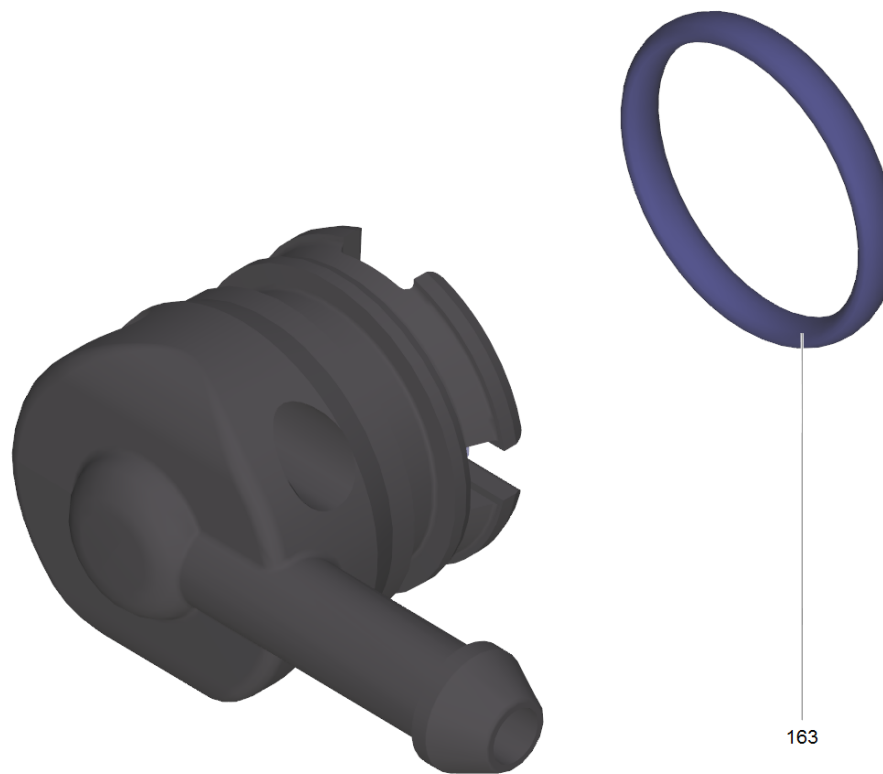
208

104 Valve pin complete (4.584-022.0)

---

<b>POS</b>	<b>Article no.</b>	<b>Description</b>	<b>Quantity</b>	<b>Unit</b>
208	6.363-613.0	O-Ring seal 4 x 2 -NBR90	1.000	ST

---

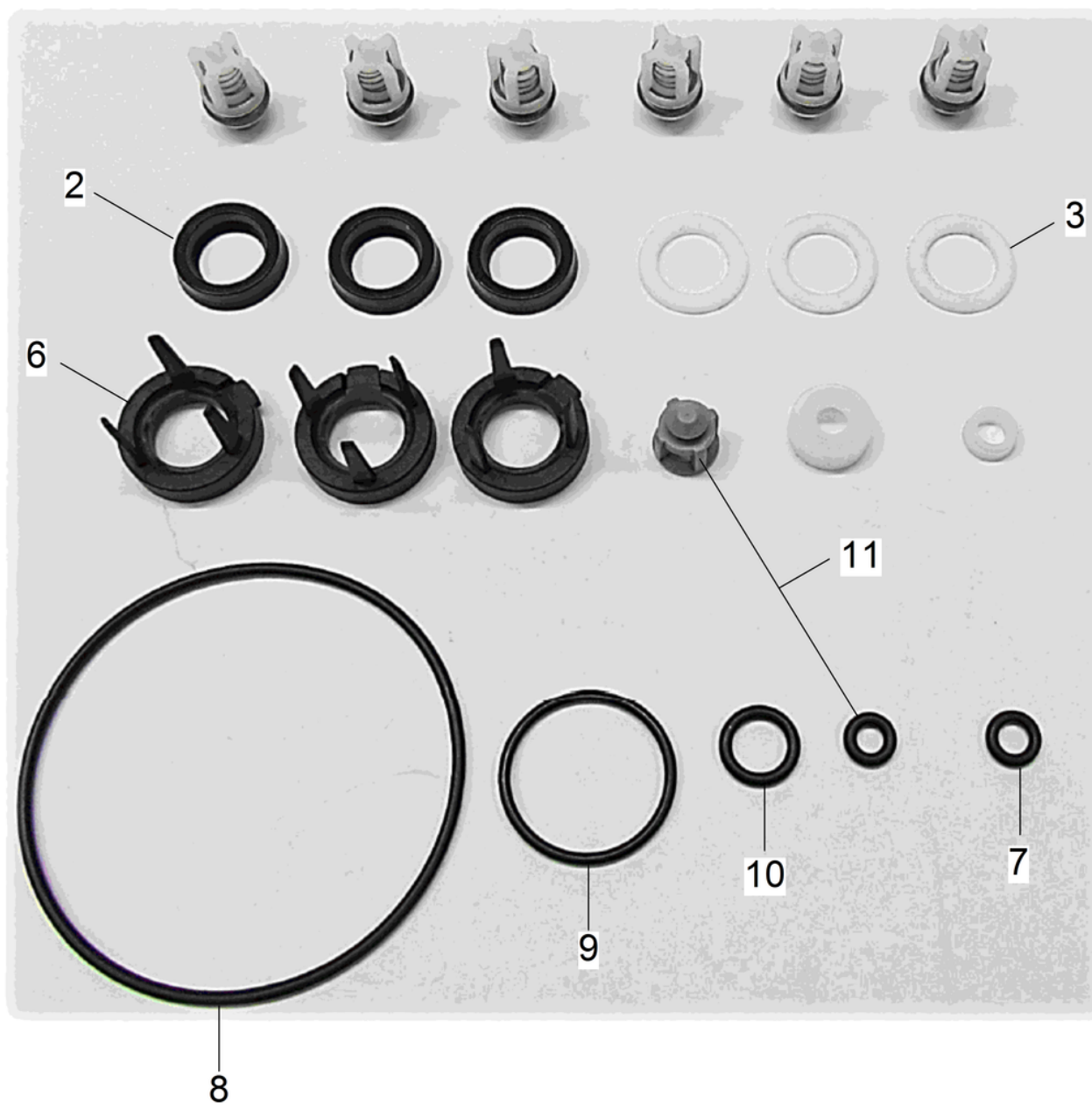


105 Plug complete (4.580-702.0)

---

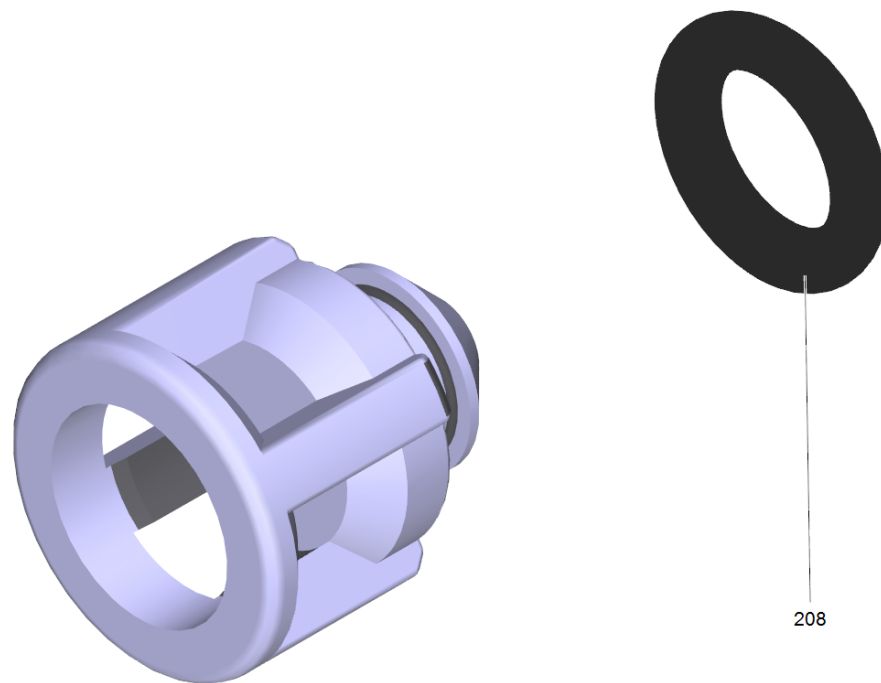
<b>POS</b>	<b>Article no.</b>	<b>Description</b>	<b>Quantity</b>	<b>Unit</b>
163	6.362-030.0	O-Ring seal 15x2 90 Shore IRHD	1.000	ST

---



901 Pump set HDC (2.885-377.0)

POS	Article no.	Description	Quantity	Unit
2	6.363-435.0	Grooved ring 12x17x4,25/2,5	3.000	ST
3	5.116-380.0	Washer piston guidance	3.000	ST
6	5.116-381.0	Supporting disk	3.000	ST
7	6.363-606.0	O-Ring seal 4,7 x 1,9 -NBR70	1.000	ST
8	6.363-616.0	O-Ring seal 60,0x2,0 -NBR70	1.000	ST
9	6.362-562.0	O-Ring seal 21,95X 1,78-NBR 90	1.000	ST
10	6.362-101.0	O-Ring seal 8 X 2	1.000	ST
11	4.584-022.0	Valve pin complete	1.000	ST



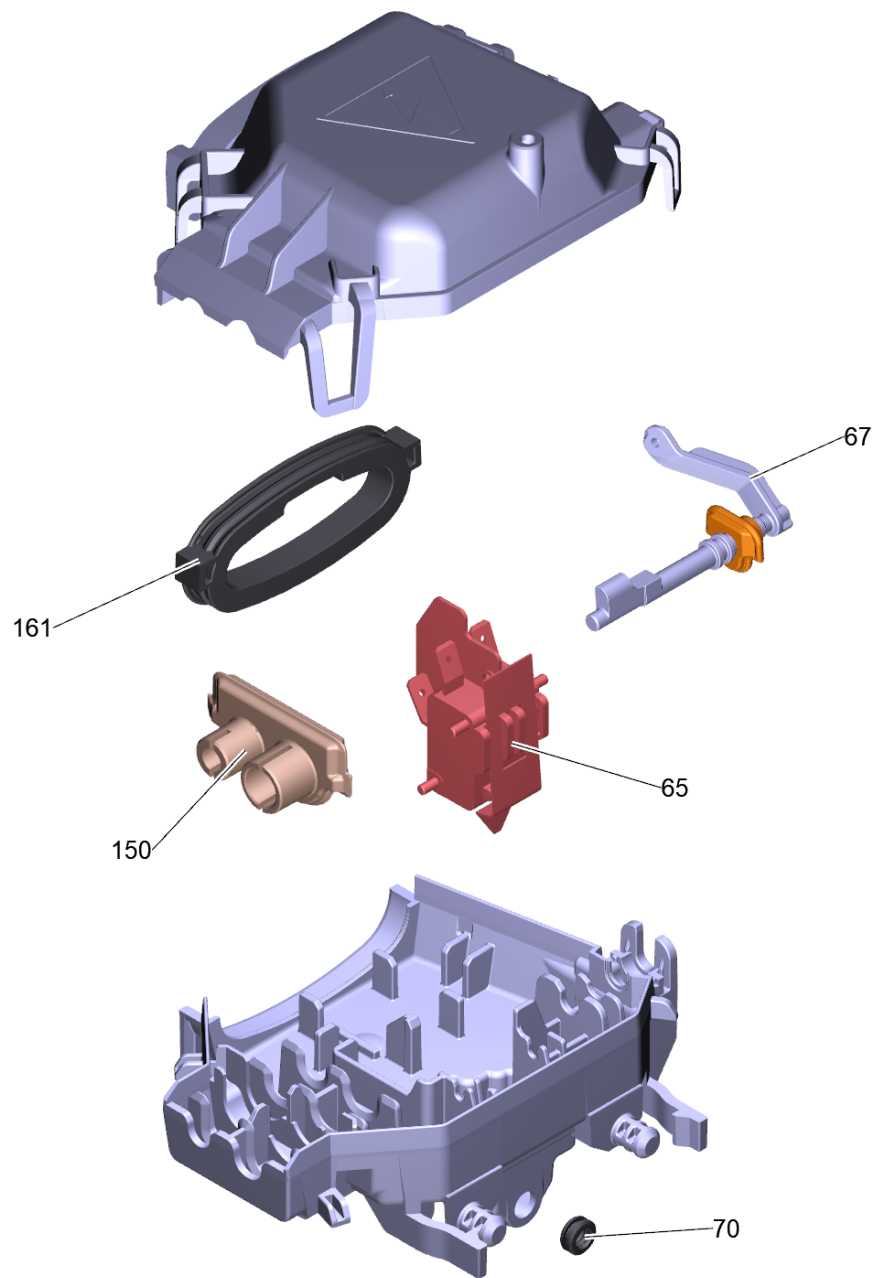
208

11 Valve pin complete (4.584-022.0)

---

POS	Article no.	Description	Quantity	Unit
208	6.363-613.0	O-Ring seal 4 x 2 -NBR90	1.000	ST

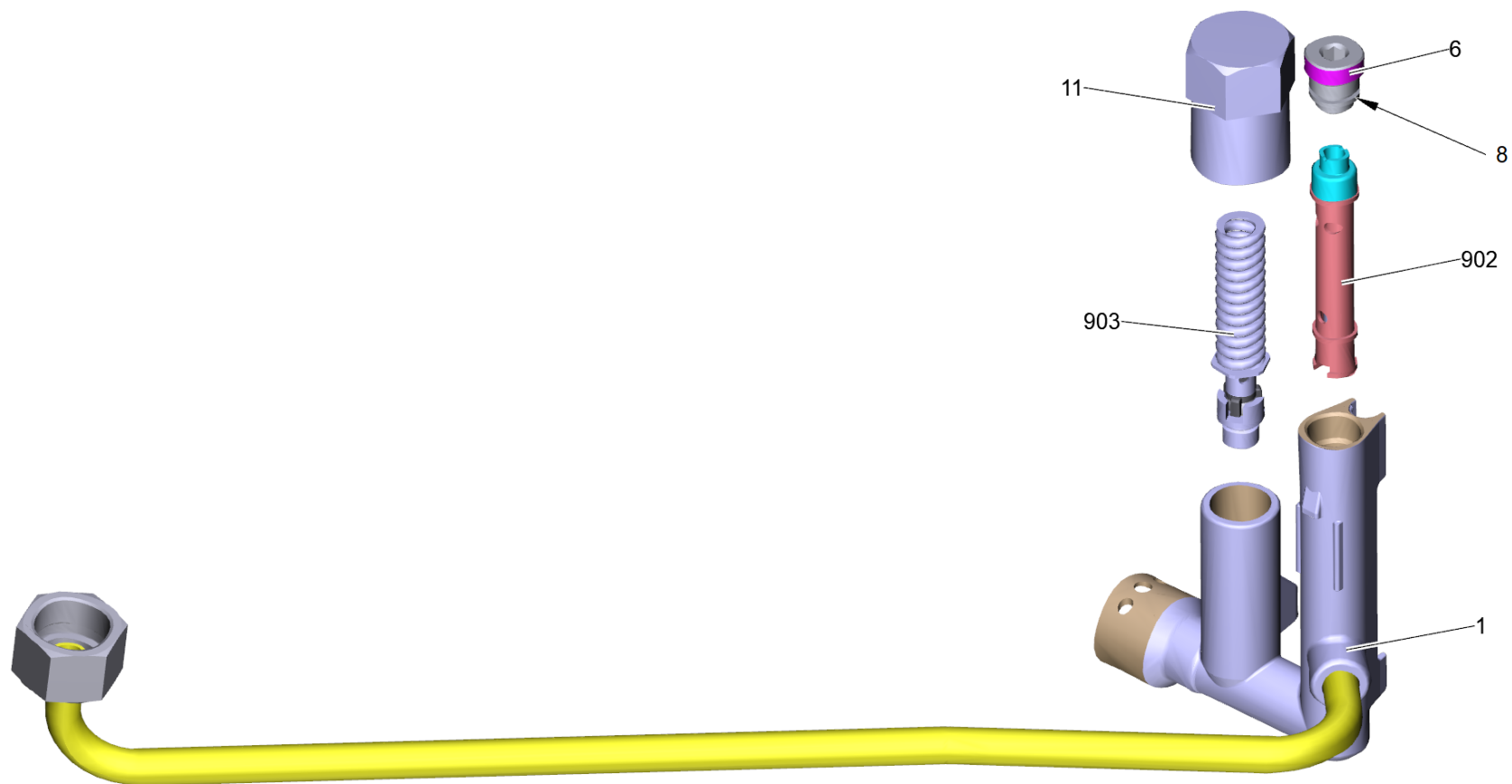




## 53 Electric box complete HDC

---

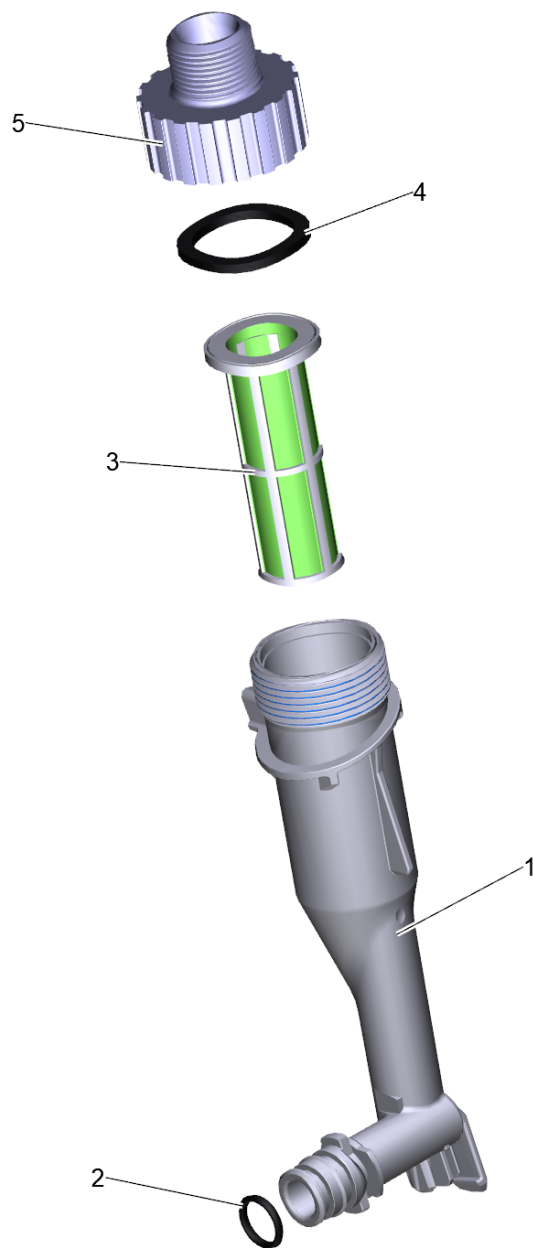
<b>POS</b>	<b>Article no.</b>	<b>Description</b>	<b>Quantity</b>	<b>Unit</b>
65	6.961-000.0	Micro switch	1.000	ST
67	2.885-376.0	Selector shaft spare parts set HDC	1.000	ST
70	5.363-749.0	Seal control piston	1.000	ST
150	5.363-807.0	Seal cable HDC	1.000	ST
161	5.363-761.0	Seal label	1.000	ST



## 58 Safety system HDS U

---

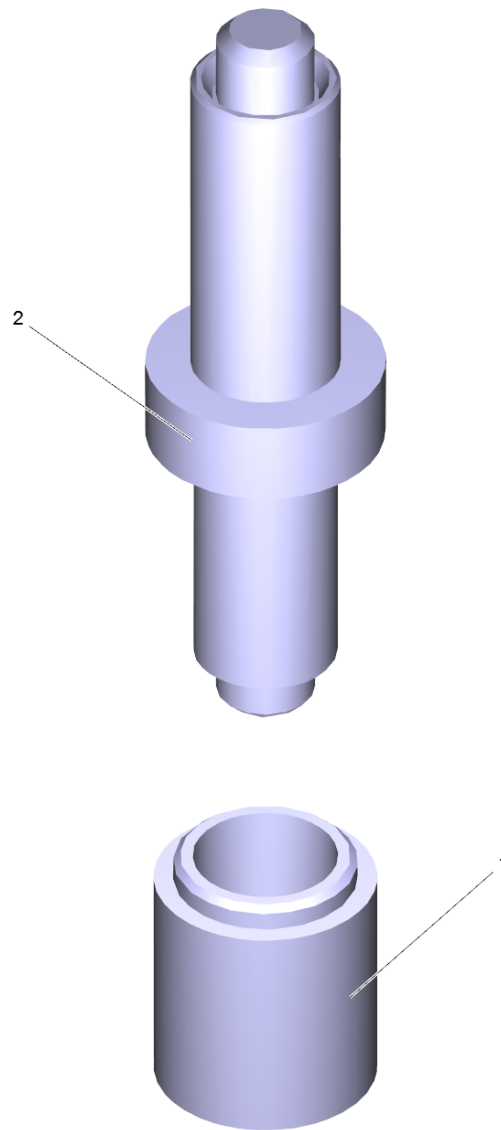
<b>POS</b>	<b>Article no.</b>	<b>Description</b>	<b>Quantity</b>	<b>Unit</b>
1	4.427-366.3	Manifold complete safety system	1.000	ST
6	5.305-162.0	Shaped screw	1.000	ST
8	6.362-482.0	O-Ring seal 10 x 1,5-NBR 70	1.000	ST
11	5.304-116.0	Adjusting screw	1.000	ST
902	4.551-058.0	Cartridge protection against water short	1.000	ST
903	4.580-782.0	Safety valve only for replacement	1.000	ST



## 62 Water intake complete HDS U

---

<b>POS</b>	<b>Article no.</b>	<b>Description</b>	<b>Quantity</b>	<b>Unit</b>
1	5.731-675.3	Filter housing water intake	1.000	ST
2	6.363-610.0	O-Ring seal 13 x 3 -NBR	1.000	ST
3	5.731-634.0	Water filter	1.000	ST
4	5.363-336.0	Seal	1.000	ST
5	5.064-462.0	Cover water intake	1.000	ST

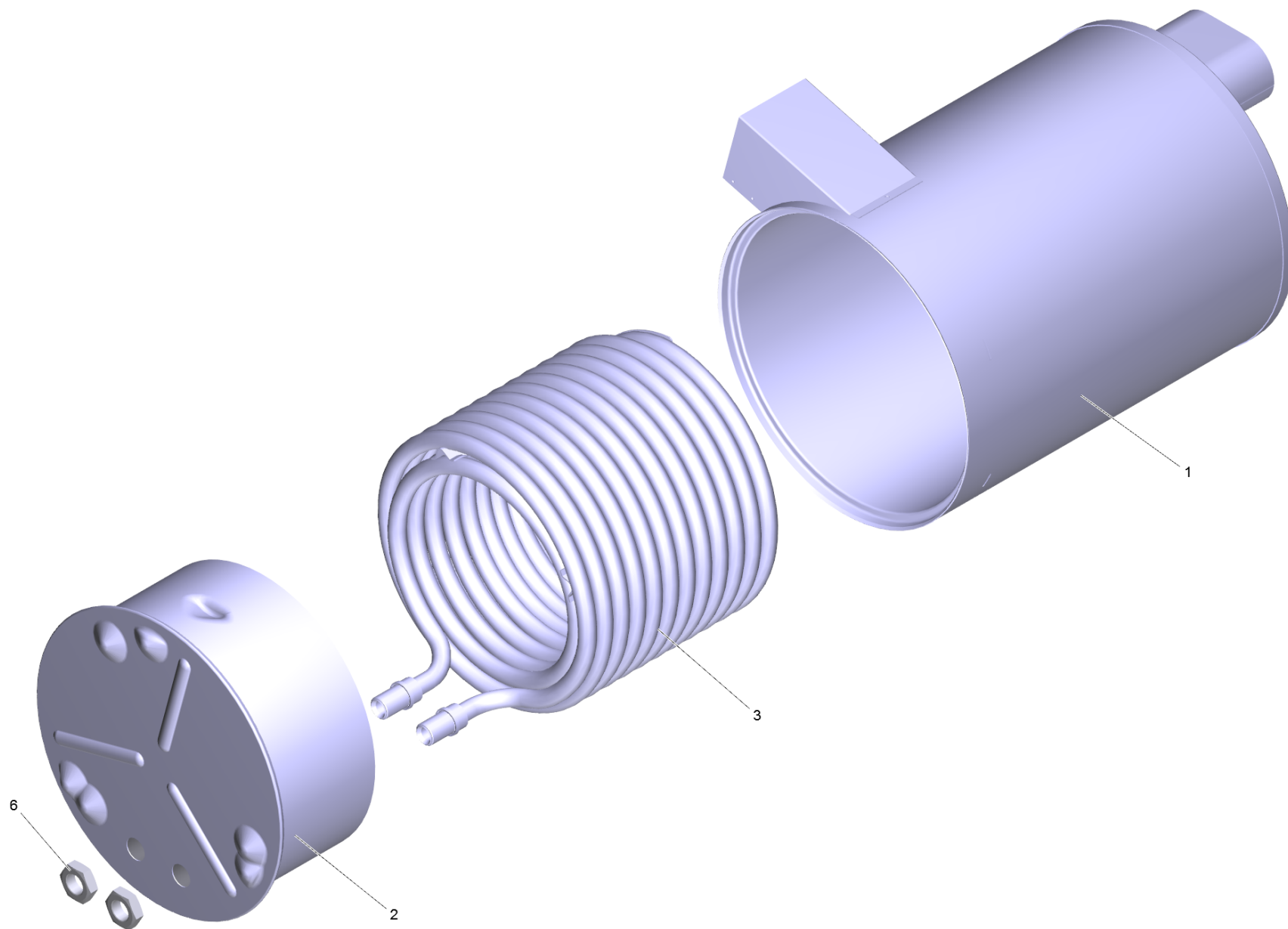


999 Tool (2.901-048.0)

---

<b>POS</b>	<b>Article no.</b>	<b>Description</b>	<b>Quantity</b>	<b>Unit</b>
1	5.901-223.0	Fitting case C=21,4; D=16,9mm	1.000	ST
2	5.901-224.0	Assembly mandril A=16,8;B=11,5mm	1.000	ST

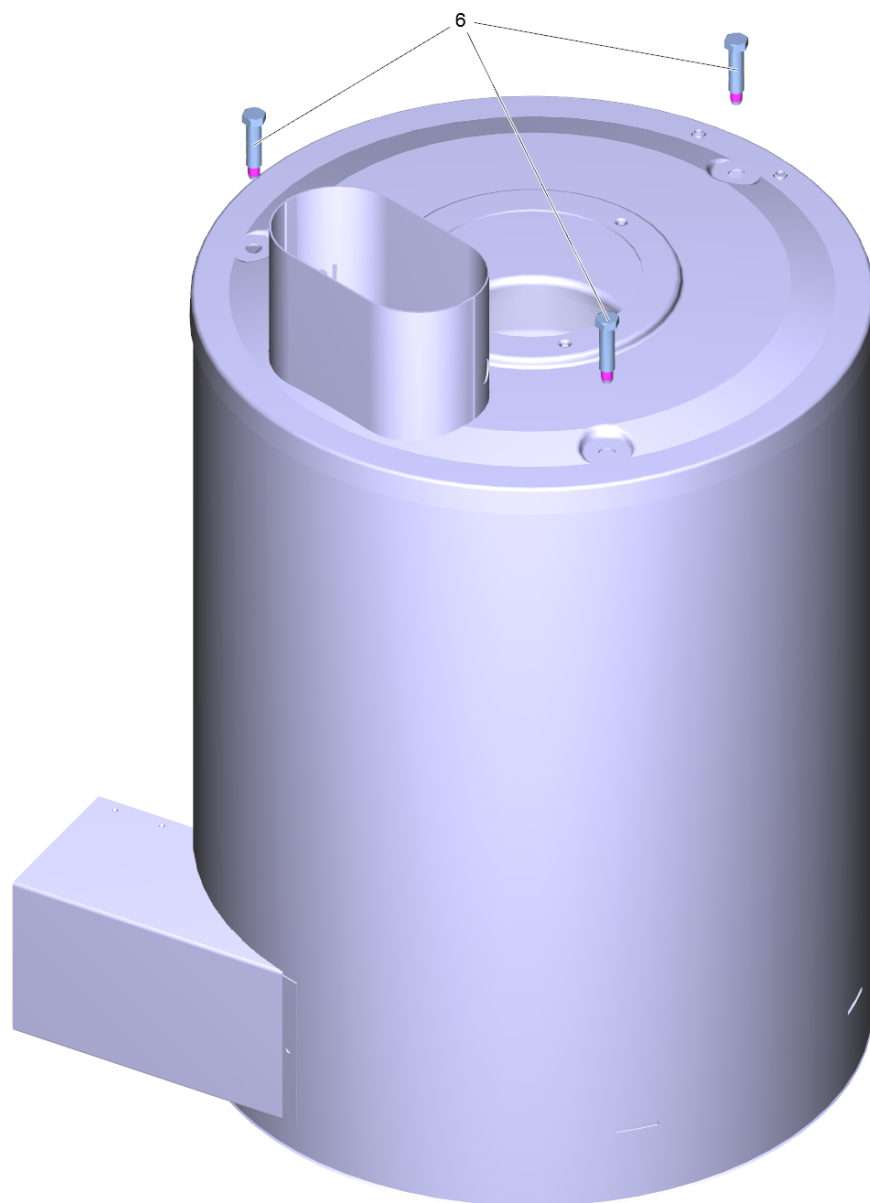




## 44 Boiler

---

<b>POS</b>	<b>Article no.</b>	<b>Description</b>	<b>Quantity</b>	<b>Unit</b>	<b>Foot note text</b>
1	4.652-152.0	Vessel mantel complete	1.000	ST	
2	4.655-044.0	Bottom pressure boiler	1.000	ST	
3	4.680-154.0	Heating coil	1.000	ST	
3	4.680-129.0	Heating coil VA	1.000	ST	STAINLESS STEEL CONSTRUCTION
6	7.311-112.0	Hexagon nut M22X1,5 -22H-A2E DIN 936	2.000	ST	

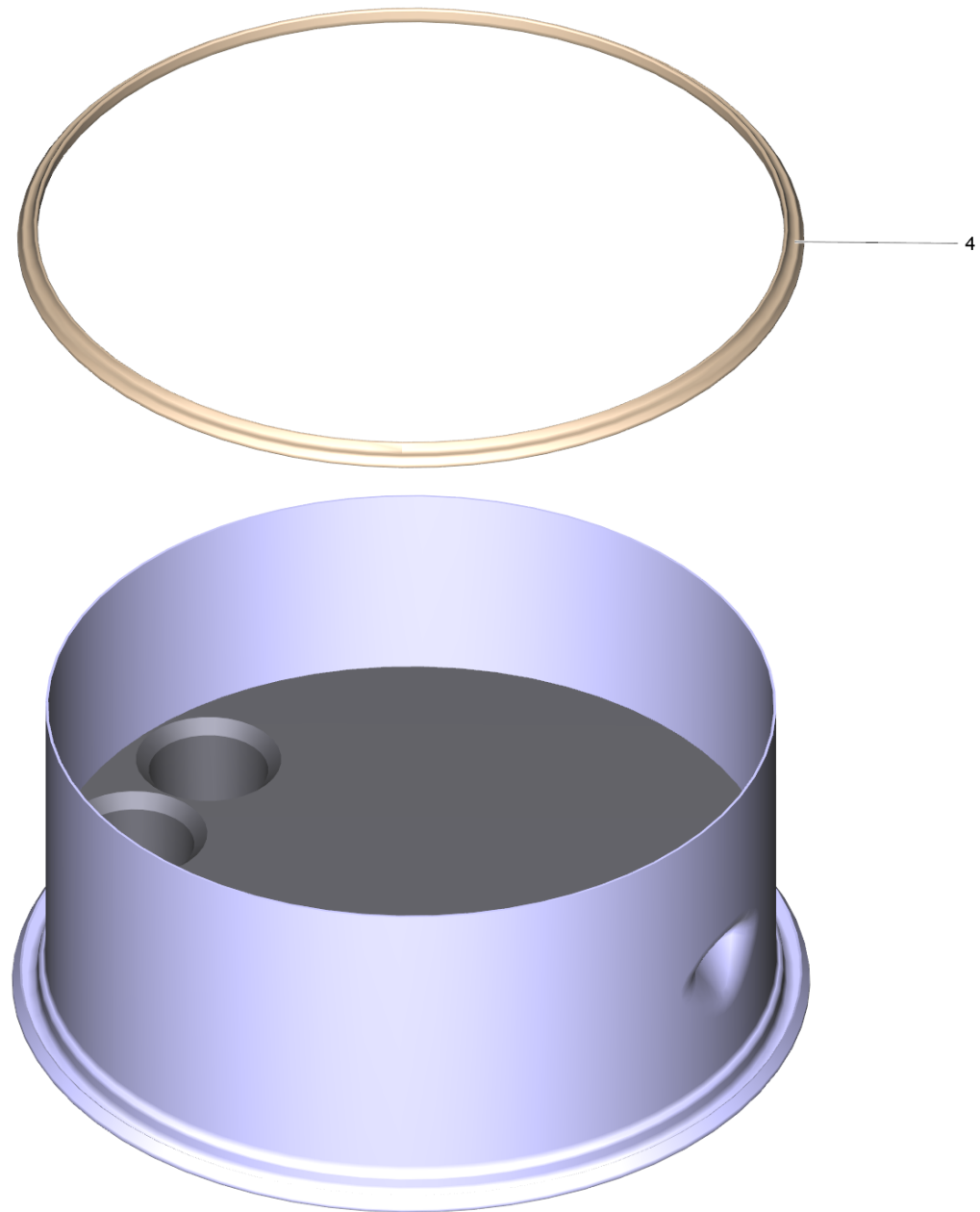


1 Vessel mantel complete (4.652-152.0)

---

<b>POS</b>	<b>Article no.</b>	<b>Description</b>	<b>Quantity</b>	<b>Unit</b>
6	6.303-258.0	Self-tapping screw	3.000	ST

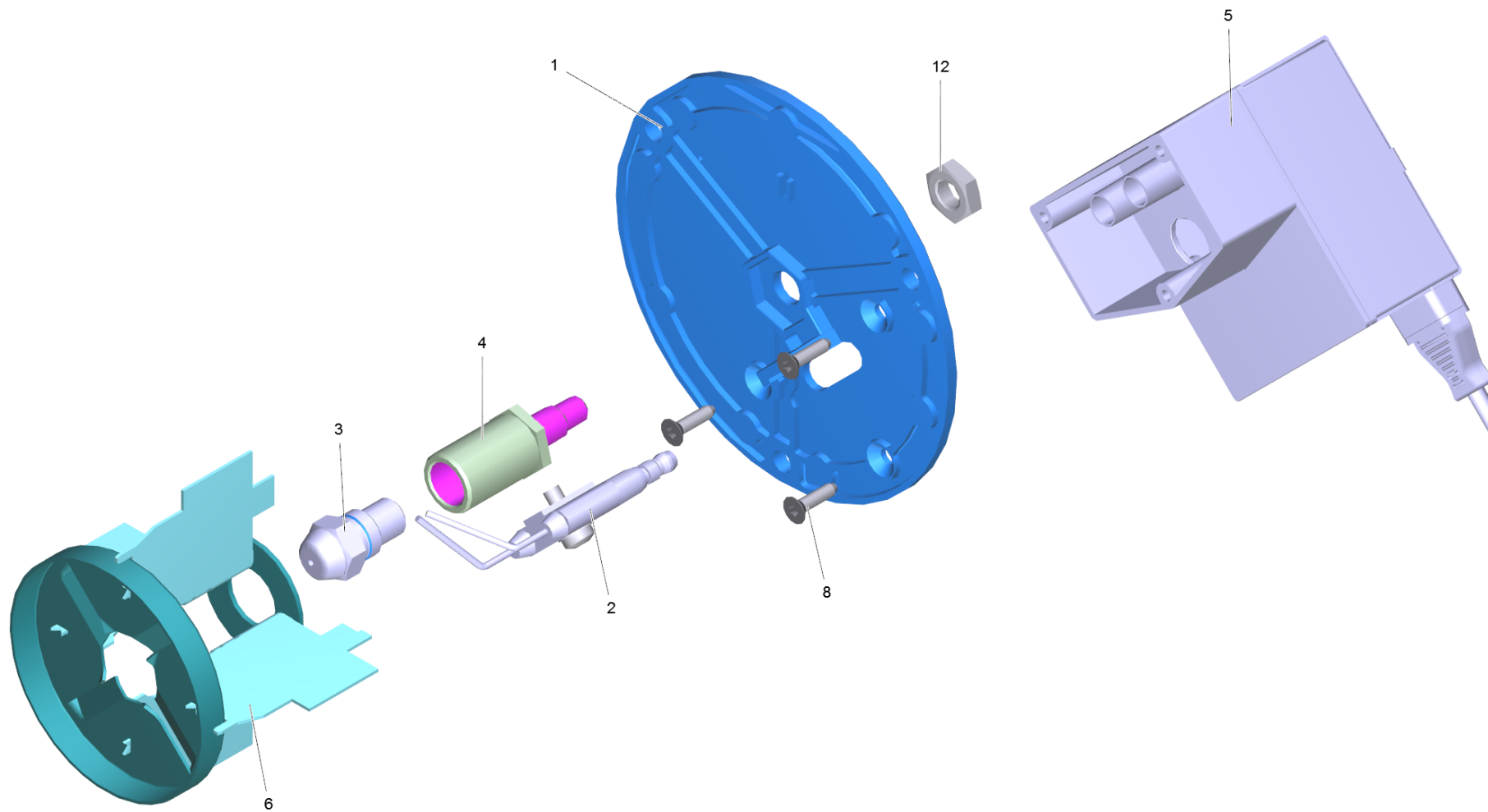
---



2 Bottom pressure boiler (4.655-044.0)

---

<b>POS</b>	<b>Article no.</b>	<b>Description</b>	<b>Quantity</b>	<b>Unit</b>
4	6.366-009.0	Seal string	1.000	ST
6	6.869-024.0	Quick-bonding agent	0.004	ZST

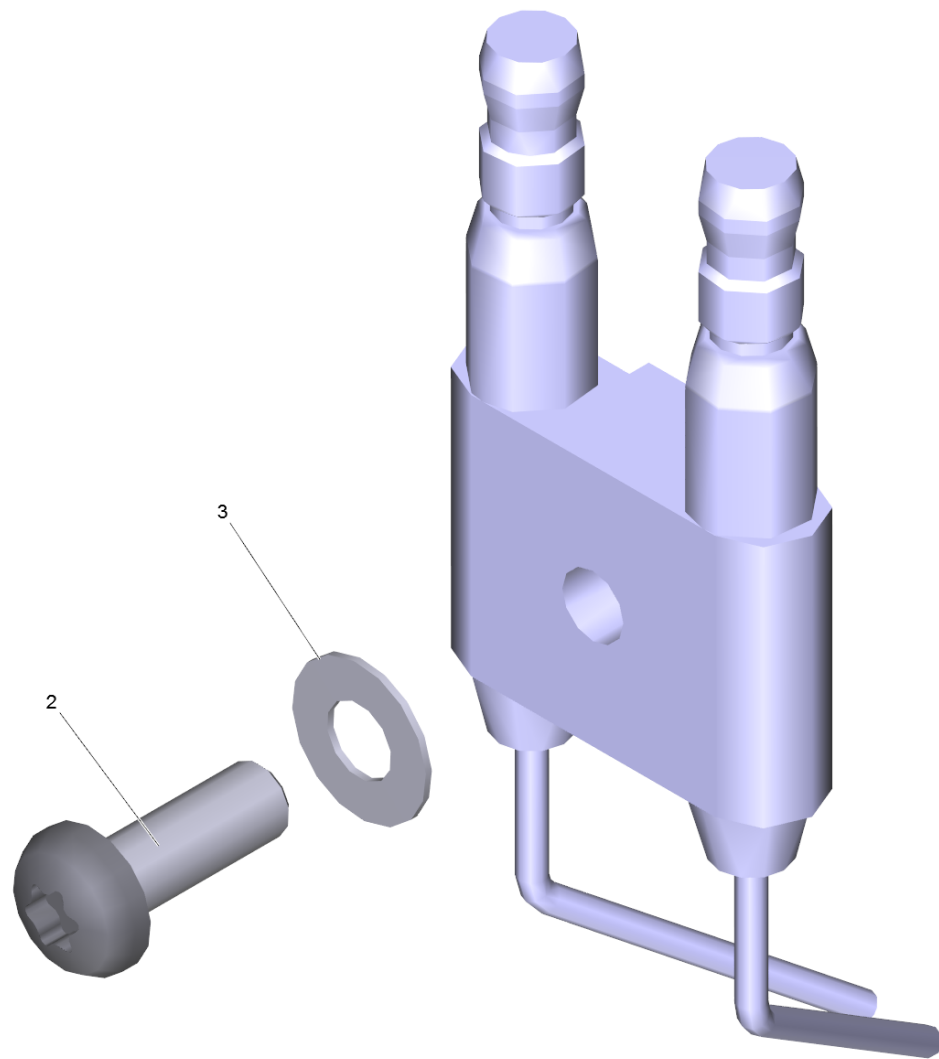


## 45 Burner complete

---

POS	Article no.	Description	Quantity	Unit
1	5.662-023.0	Burner cover	1.000	ST
2	2.638-974.0	Conversion kit ignition electrode	1.000	ST
3	6.415-920.0	Burner nozzle	1.000	ST
4	5.667-055.0	Nozzle holder	1.000	ST
5	2.885-209.0	Conversion kit ignition transformer HDS	1.000	ST
6	4.663-141.0	Baffle plate complete	1.000	ST
8	7.303-125.0	Countersunk screw 4x16 -10.9-R2R (In6Rd	3.000	ST
12	7.311-101.0	Hexagon nut M10x1 -04-A2E ISO 8675	1.000	ST





2 Conversion kit ignition electrode (2.638-974.0)

---

POS	Article no.	Description	Quantity	Unit
2	7.306-217.0	Screw M5x14 -8.8-R2R (In6Rd)	1.000	ST
3	7.312-304.0	Spring washer B 5-FST-A2E DIN 137	1.000	ST

70 Hose fuel 130mm

---

<b>POS</b>	<b>Article no.</b>	<b>Description</b>	<b>Quantity</b>	<b>Unit</b>
1	6.389-534.0	Hose	0.130	M

71 Hose fuel 180mm

---

POS	Article no.	Description	Quantity	Unit
1	6.389-534.0	Hose	0.180	M

72 Hose fuel 230mm

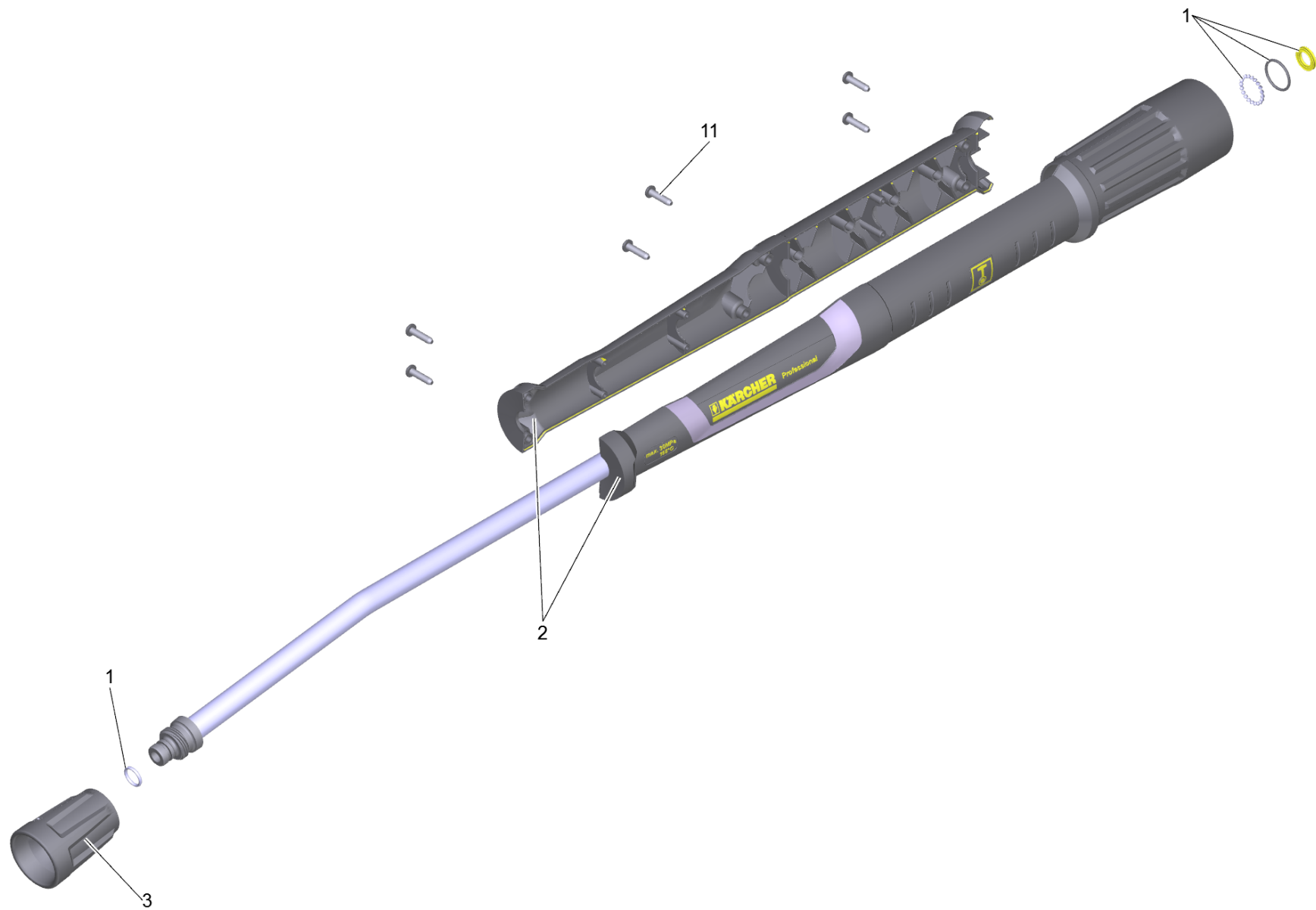
---

POS	Article no.	Description	Quantity	Unit
1	6.389-534.0	Hose	0.290	M

902 Jet pipe TR 840 mm (4.112-006.0)

---

POS	Description	Quantity	Unit
1	Jet pipe TR 840 mm	1.000	ST



## 1 Jet pipe TR 840 mm

---

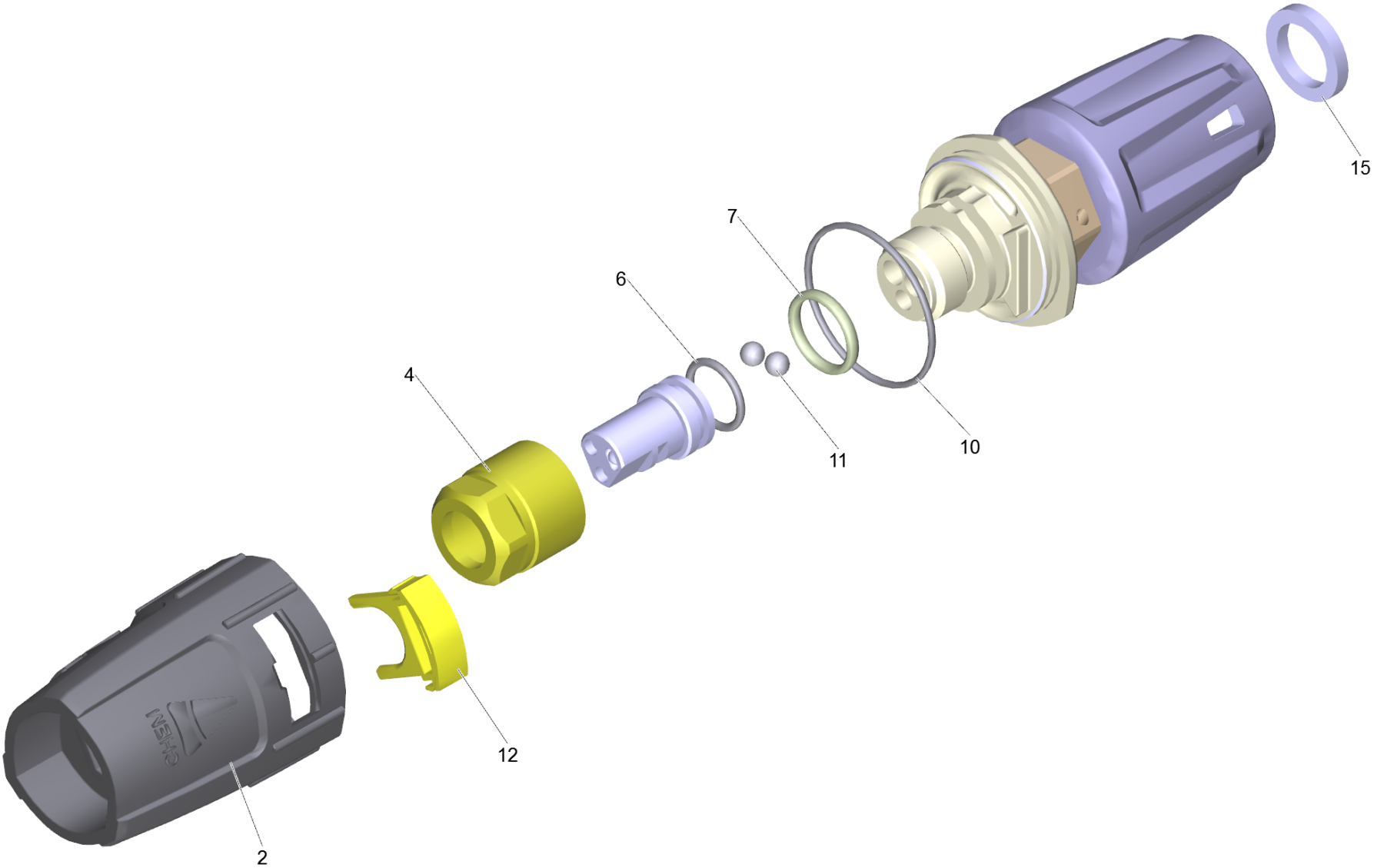
<b>POS</b>	<b>Article no.</b>	<b>Description</b>	<b>Quantity</b>	<b>Unit</b>
1	4.100-688.0	Spare part set seal TR	1.000	ST
2	5.321-018.3	Handle bowl jet pipe only for replacemen	1.000	ST
3	4.112-011.0	Protection part TR only for replacement	1.000	ST
11	7.303-129.0	Screw 4x16 -10.9-R2R (K-In6Rd)	6.000	ST



903 Triple jet nozzle TR 028 (4.117-024.0)

---

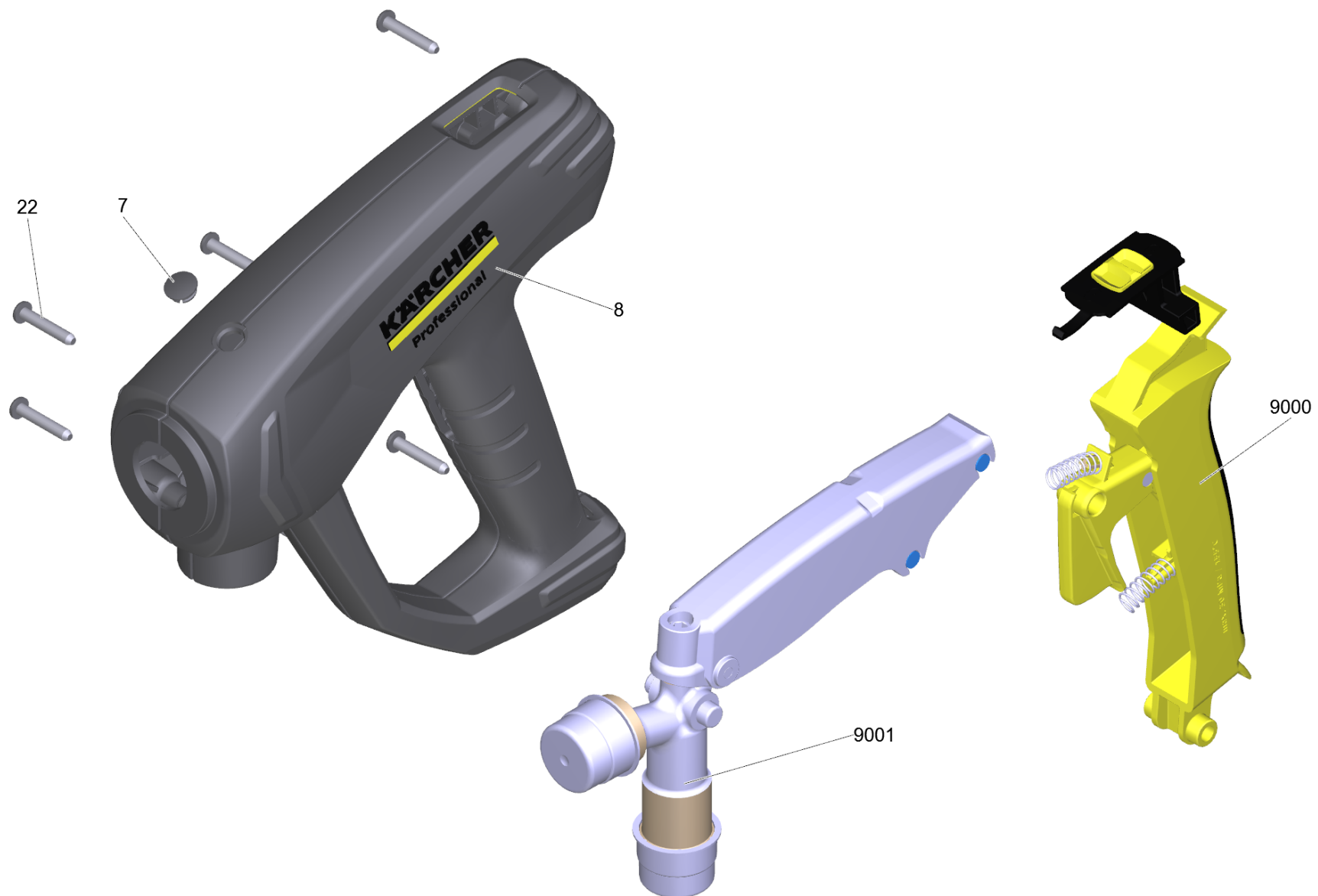
POS	Description	Quantity	Unit
1	Triple jet nozzle TR 028	1.000	ST



## 1 Triple jet nozzle TR 028

---

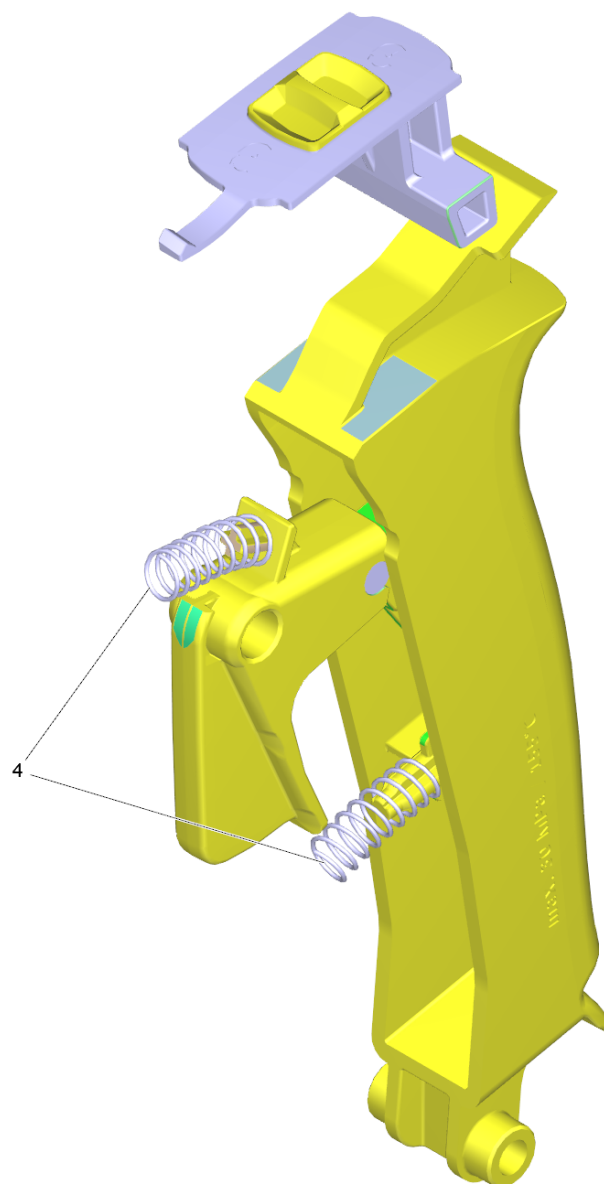
<b>POS</b>	<b>Article no.</b>	<b>Description</b>	<b>Quantity</b>	<b>Unit</b>
2	5.394-859.0	Protection part	1.000	ST
4	5.311-225.0	Nut	1.000	ST
6	6.362-480.0	O-Ring seal 12,42x 1,78	1.000	ST
7	6.362-460.0	O-Ring seal 14,0 X 2,5-NBR 70	1.000	ST
10	6.362-409.0	O-Ring seal 32,0 X 1,5	1.000	ST
11	7.401-902.0	Sphere 5 G20 -1.4034 DIN 5401	2.000	ST
12	5.321-884.0	Clamp	1.000	ST
15	6.363-696.0	Brake ring 14x20x3	1.000	ST



904 EASY!Force Advanced (4.118-005.0)

---

<b>POS</b>	<b>Article no.</b>	<b>Description</b>	<b>Quantity</b>	<b>Unit</b>
7	5.132-001.0	Plug	1.000	ST
8	5.321-136.3	Handhold few EH 155 only for replacement	1.000	ST
22	7.303-096.0	Screw 4x22 -ST-10.9-R2R (IN6RD)	7.000	ST
9000	2.885-483.0	Spare part set lever	1.000	ST
9001	4.427-014.0	Manifold TR EH 155 nur fuer Ersatz	1.000	ST



9000 Spare part set lever (2.885-483.0)

---

<b>POS</b>	<b>Article no.</b>	<b>Description</b>	<b>Quantity</b>	<b>Unit</b>
4	5.332-178.0	Helical spring	2.000	ST

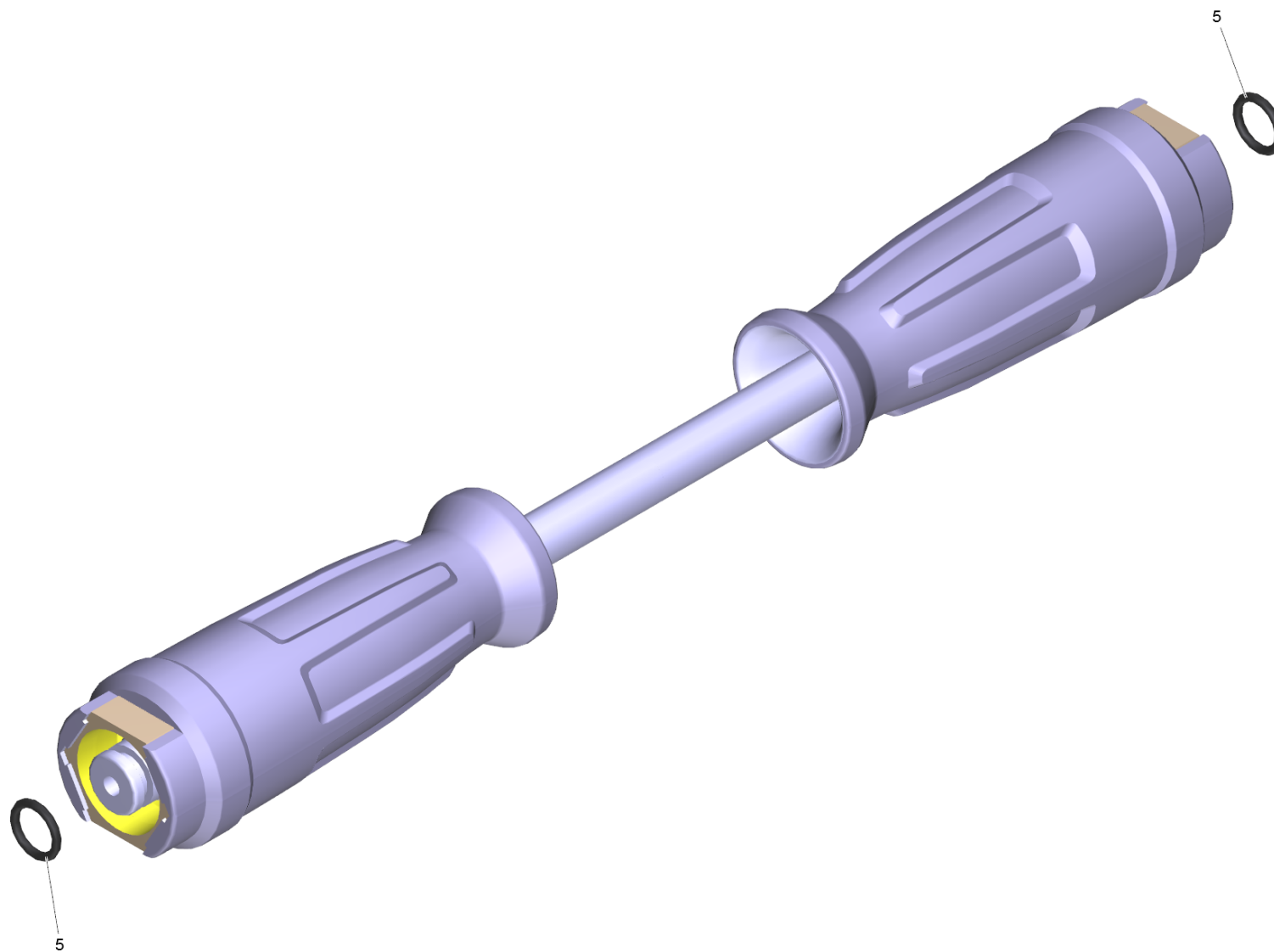




905 Cover tank only for replacement (4.645-315.0)

---

<b>POS</b>	<b>Article no.</b>	<b>Description</b>	<b>Quantity</b>	<b>Unit</b>
2	6.363-565.0	O-Ring seal 60x4	1.000	ST



907 Hose assembly TR DN6 25MPa 10m (6.110-034.0)

---

<b>POS</b>	<b>Article no.</b>	<b>Description</b>	<b>Quantity</b>	<b>Unit</b>
5	2.880-154.0	O-Ring kit	1.000	ST

---