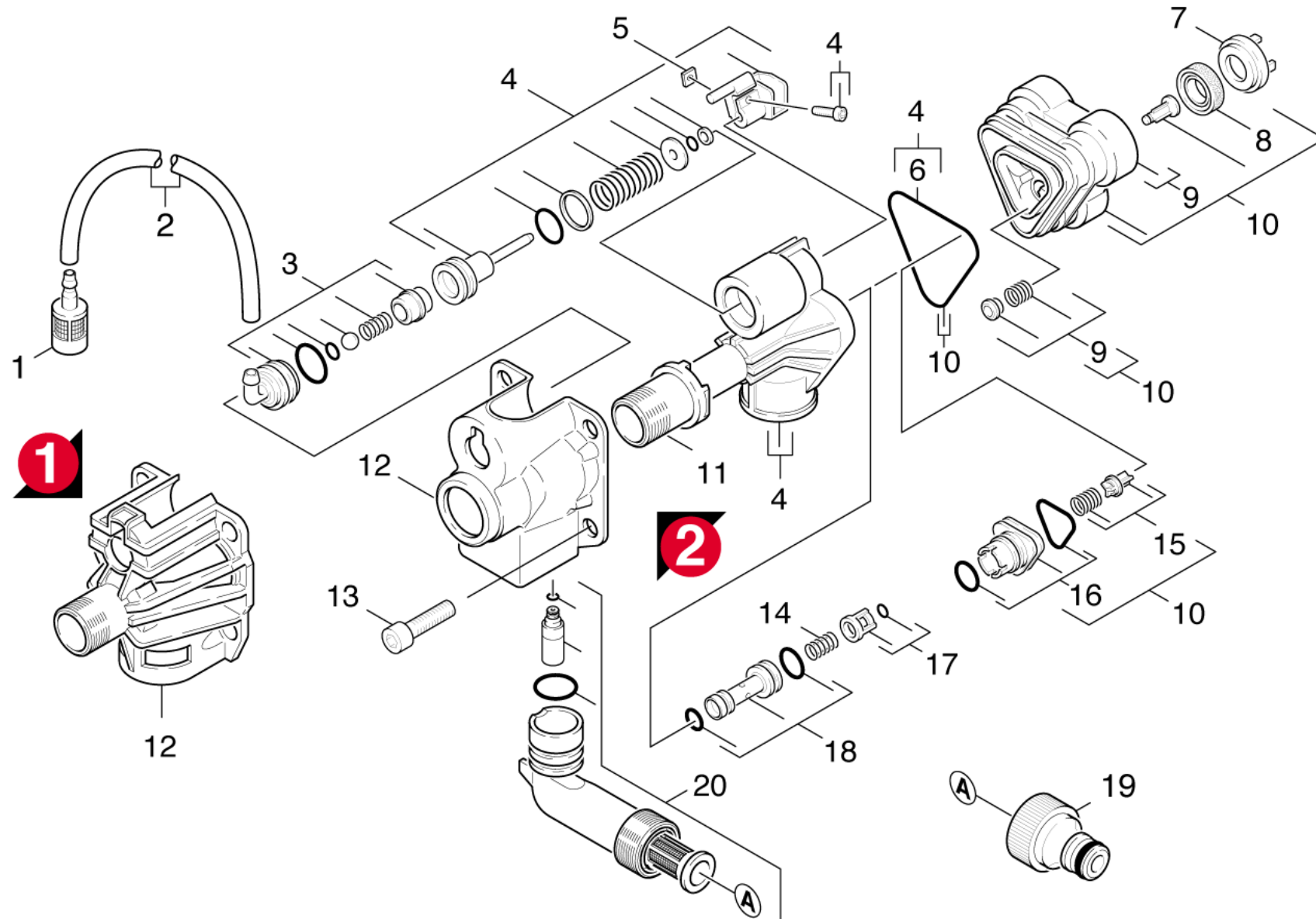


21 Cylinder head

Overview technical documents/Home & Garden/High pressure cleaner cold water/Electric motor/K 3/K 360M

*EU (1.141-121.0)/Spare parts list K 360/360 M/20 Pump set/21 Cylinder head



21 Cylinder head

Overview technical documents/Home & Garden/High pressure cleaner cold water/Electric motor/K 3/K 360M

*EU (1.141-121.0)/Spare parts list K 360/360 M/20 Pump set/21 Cylinder head

Rez.daļas/nodil.pakļ.daļas	Poz.	Materiāla Nr.	Nosaukums	Daudzums	Pārdoš. vienība	no sēr. Nr..	līdz sēr. Nr.	Daž. informācija
X	1	5.731-652.0	Filtrs ar atsvariņu	1.000	ST	0000000000	0000000000	
	2	6.388-216.0	Šļūtene DN 5	1.000	M	0000000000	0000000000	
X-X	3	9.001-741.0	Korpusa kompaktais modulis, priekšējais	1.000	ST	0000000000	0000000000	
X-X	4	9.001-104.0	Sadales galvas rezerves daļu komplekts	1.000	ST	0000000000	0000000000	
	5	7.311-569.0	Square nut M4 -04-A2E DIN 562	1.000	ST	0000000000	0000000000	
X-X	6	9.081-422.0	Veidnes blīve	1.000	ST	0000000000	0000000000	
X	7	9.036-322.0	Atbalsta paplāksne	3.000	ST	0000000000	0000000000	
X-X	8	6.362-875.0	Gredzens ar gropi	3.000	ST	0000000000	0000000000	
X-X	9	9.001-110.0	Veidnes detaļa, pilns komplekts	1.000	ST	0000000000	0000000000	
X-X	10	9.001-105.0	Cilindra galvas rezerves daļu komplekts	1.000	ST	0000000000	0000000000	
X-X	11	9.036-444.0	Uzmava	1.000	ST	0000000000	0000000000	VERSION 2
	12	2.889-075.0	Spare part set	1.000	ST	0000000000	0000000000	VERSION 1
	12	9.039-117.0	Pārsegs	1.000	ST	0000000000	0000000000	VERSION 2
X	13	7.306-042.0	Cylinder head screw M8x25 -8.8-A2E ISO4	4.000	ST	0000000000	0000000000	
	14	9.047-026.0	Atspere	1.000	ST	0000000000	0000000000	
	15	9.001-149.0	Vārstu komplekts	1.000	ST	0000000000	0000000000	
	16	9.001-106.0	Savienotājdetaļa	1.000	ST	0000000000	0000000000	
	17	9.001-107.0	Aptvere, pilns komplekts	1.000	ST	0000000000	0000000000	
	18	9.001-108.0	Inžektors, pilns komplekts	1.000	ST	0000000000	0000000000	
X-X	19	6.465-031.0	connection	1.000	ST	0000000000	0000000000	
X-X	20	9.001-187.0	Iepilūdes līkums	1.000	ST	0000000000	0000000000	