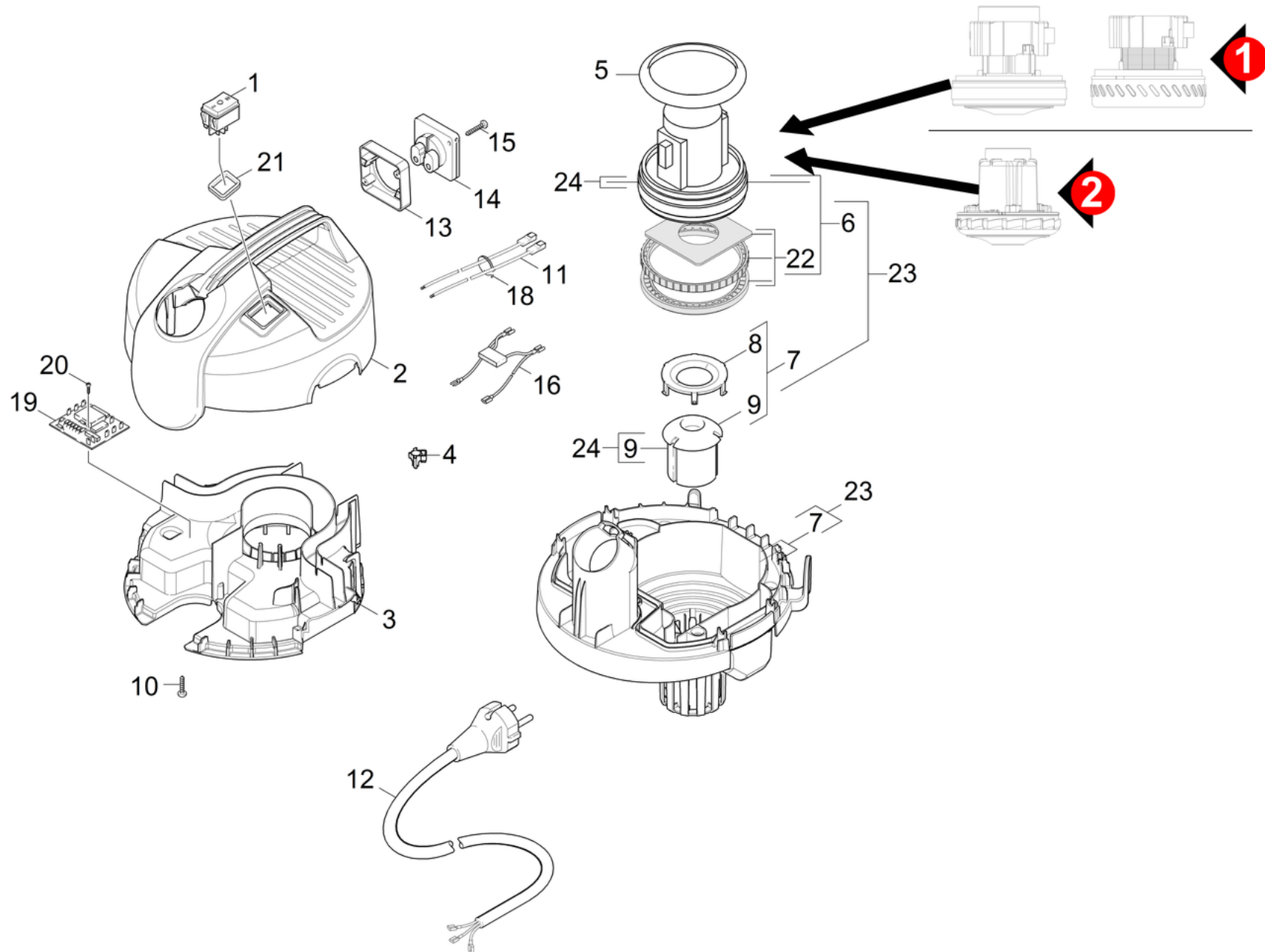


# 20 Vacuum motor

Home and Garden \ Vacuum cleaner \ Wet-/Dry vacuum cleanerwet \ A 2024 PT \*EU \ Spare parts list A 2024 PT \ Vacuum motor



## 20 Vacuum motor

Home and Garden \ Vacuum cleaner \ Wet-/Dry vacuum cleanerwet \ A 2024 PT \*EU \ Spare parts list A 2024 PT \ Vacuum motor



POS	Article no.	Description	Quantity	Unit	Foot note text
1	6.630-090.0	Switch 2-level	1.000	ST	
2	5.069-195.0	Cover A 2064 PT	1.000	ST	
		<b>Item text1:</b> / 1.629-200.0 / -201.0 / -202.0 / -203.0			
		<b>Item text2:</b> / 1.629-400.0 / -401.0 / -402.0			
2	5.069-189.0	Cover A 2074 PT	1.000	ST	
		<b>Item text1:</b> / 1.629-450.0			
3	5.692-077.0	Air circulation PT	1.000	ST	VERSION 1
3		Air circulation pt	1.000	ST	VERSION 2
4	5.034-736.0	Retaining bracket cable	1.000	ST	
5	9.079-024.0	Seal motor above	1.000	ST	VERSION 2
5	9.079-024.0	Seal motor above	1.000	ST	VERSION 1
6	4.490-008.0	Vacuum motor complete only for replaceme	1.000	ST	VERSION 1
		<b>Item text1:</b> /1.629-201.0 / -202.0 / -203.0 / -401.0			
7	4.053-258.0	Motor bracket complete for replacement	1.000	ST	VERSION 2
		<b>Item text1:</b> / 1.629-400.0 / -401.0 / -402.0 / -450.0			
7	4.053-257.0	Motor bracket complete for replacement	1.000	ST	VERSION 2
		<b>Item text1:</b> / 1.629-200.0			
7	4.053-231.0	Motor bracket complete	1.000	ST	VERSION 1
		<b>Item text1:</b> / 1.629-200.0 / -201.0 / -202.0 / -203.0			
7	4.053-241.0	Motor bracket complete	1.000	ST	VERSION 1
		<b>Item text1:</b> / 1.629-400.0 / -401.0 / -402.0 / -450.0			
8	9.036-573.0	Covering cap	1.000	ST	
9	9.037-076.0	Float A2204	1.000	ST	
10	7.303-096.0	Screw 4x22 -ST-10.9-R2R (IN6RD)	5.000	ST	
11	6.649-316.0	Cable brown 1,5mm²x350mm	1.000	ST	
		<b>Item text1:</b> / 1.629-450.0			
11	9.084-162.0	Cable plug connector A 2X24 PT	2.000	ST	
		<b>Item text1:</b> / 1.629-200.0 / -201.0 / -202.0 / -203.0			
		<b>Item text2:</b> / 1.629-400.0 / -401.0			
12	6.650-108.0	Cable with plug *CH	1.000	ST	
		<b>Item text1:</b> / 1.629-202.0 / -401.0			
12	6.649-182.0	Cable with plug *AU	1.000	ST	
		<b>Item text1:</b> / 1.629-203.0			

## 20 Vacuum motor

Home and Garden \ Vacuum cleaner \ Wet-/Dry vacuum cleanerwet \ A 2024 PT \*EU \ Spare parts list A 2024 PT \ Vacuum motor

POS	Article no.	Description	Quantity	Unit	Foot note text
12	6.649-179.0	Cable with plug *EU <b>Item text1:</b> / 1.629-200.0 / -400.0 / -450.0	1.000	ST	
12	6.649-181.0	Cable with plug *GB <b>Item text1:</b> / 1.629-201.0 / -402.0	1.000	ST	
13	9.037-001.0	Frame PT	1.000	ST	
14	6.646-590.0	Plug socket <b>Item text1:</b> / 1.629-202.0 / -401.0	1.000	ST	
14	6.646-591.0	Plug socket *AU <b>Item text1:</b> / 1.629-203.0	1.000	ST	
14	6.646-563.0	Plug socket *GB <b>Item text1:</b> / 1.629-201.0 / -402.0	1.000	ST	
14	6.646-561.0	Plug socket *EU <b>Item text1:</b> / 1.629-200.0 / -400.0 / -450.0	1.000	ST	
15	9.086-184.0	Screw 3x20	2.000	ST	
16	4.629-004.0	Cable with capacitor	1.000	ST	VERSION 2
16	2.884-135.0	Spare part set cable	1.000	ST	VERSION 1
18	6.641-463.0	Cable tape	1.000	ST	
19	6.682-838.0	Electronics <b>Item text1:</b> / 1.629-450.0	1.000	ST	
20	7.303-092.0	Screw 3x12 -10.9-R2R (K-In6Rd) <b>Item text1:</b> / 1.629-450.0	1.000	ST	
21	9.048-077.0	Seal switch TE <b>Item text1:</b> / 1.629-450.0	1.000	ST	
22	4.490-010.0	Bearing set for Motor (1.629-XXX)	1.000	ST	VERSION 1
23	4.490-015.0	Motor complete for replacement 1200W Ame <b>Item text1:</b> / 1.629-400.0 / -402.0 / -450.0	1.000	ST	VERSION 1
23	4.490-014.0	Motor complete for replacement 1200W Ame <b>Item text1:</b> / 1.629-200.0	1.000	ST	VERSION 1
24	4.490-012.0	Vacuum motor complete for replacement 12 <b>Item text1:</b> / 1.629-200.0 / -400.0 / -402.0 / -450.0	1.000	ST	VERSION 2