

## **Spare parts list**

(1.033-330.0) CV 38/2 Adv \*EU

## Table of contents

---

CV 38/2 Adv *EU (1.033-330.0)	3
5 Spare parts list CV 38/2 Adv *EU (5.972-101.0)	4
10 Top part	5
11 Individual parts	6
20 Accessories kit clamp (4.262-015.0)	8
12 Appliance top part	10
2 Covering cap complete only for replaceme (4.032-003.0)	12
20 Brush-head	14
4 Housing complete (4.062-007.0)	16
5 Adjusting wheel complete (4.515-316.0)	18
15 Covering cap complete belt (4.063-774.0)	20
30 Vacuum motor	22
40 Accessories	24

<b>POS</b>	<b>Article no.</b>	<b>Description</b>	<b>Quantity</b>	<b>Unit</b>
5	5.972-101.0	Spare parts list CV 38/2 Adv *EU	1.000	ST

5 Spare parts list CV 38/2 Adv \*EU (5.972-101.0)

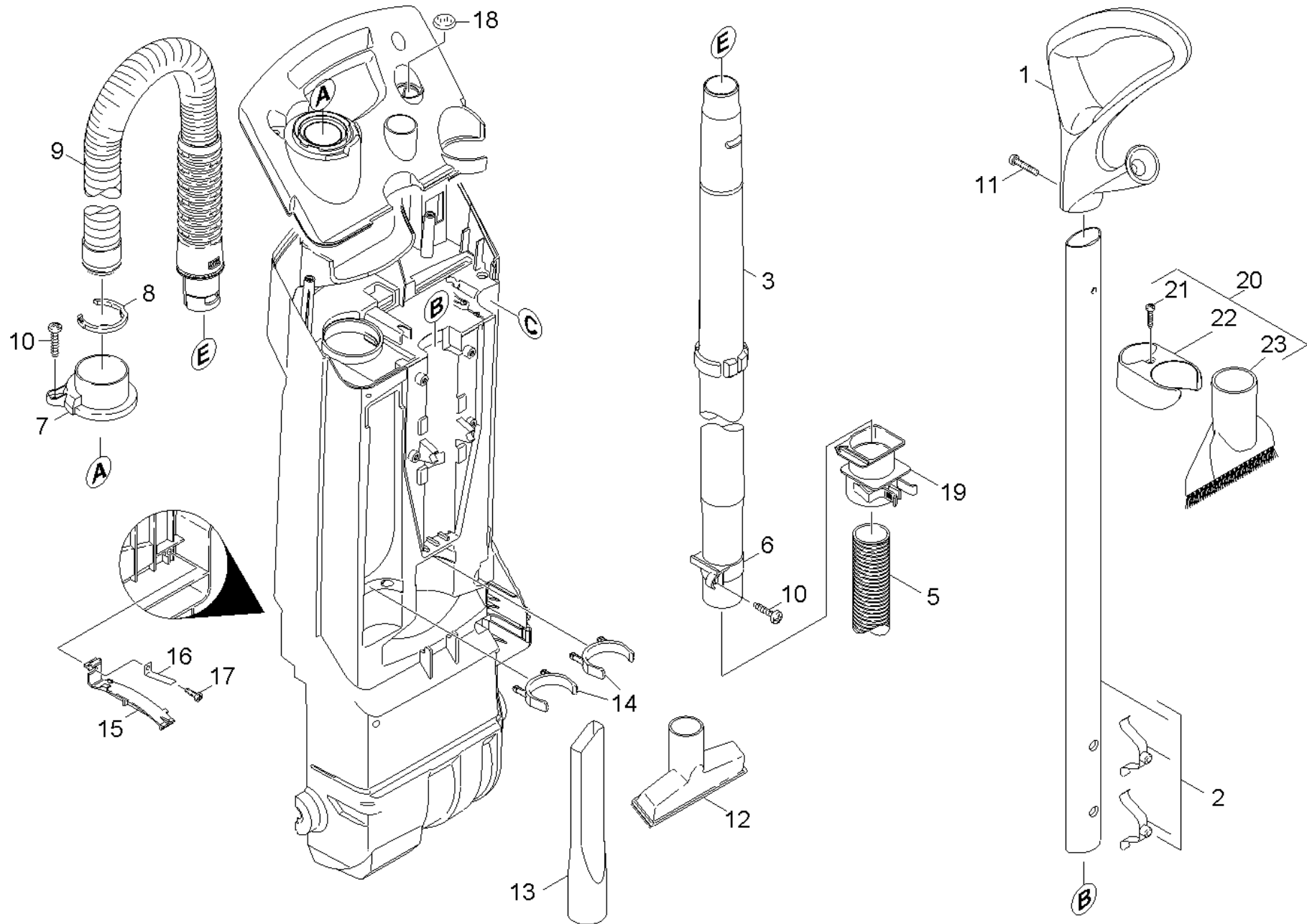
---

POS	Description	Quantity	Unit
10	Top part	1.000	ST
20	Brush-head	1.000	ST
30	Vacuum motor	1.000	ST
40	Accessories	1.000	ST

## 10 Top part

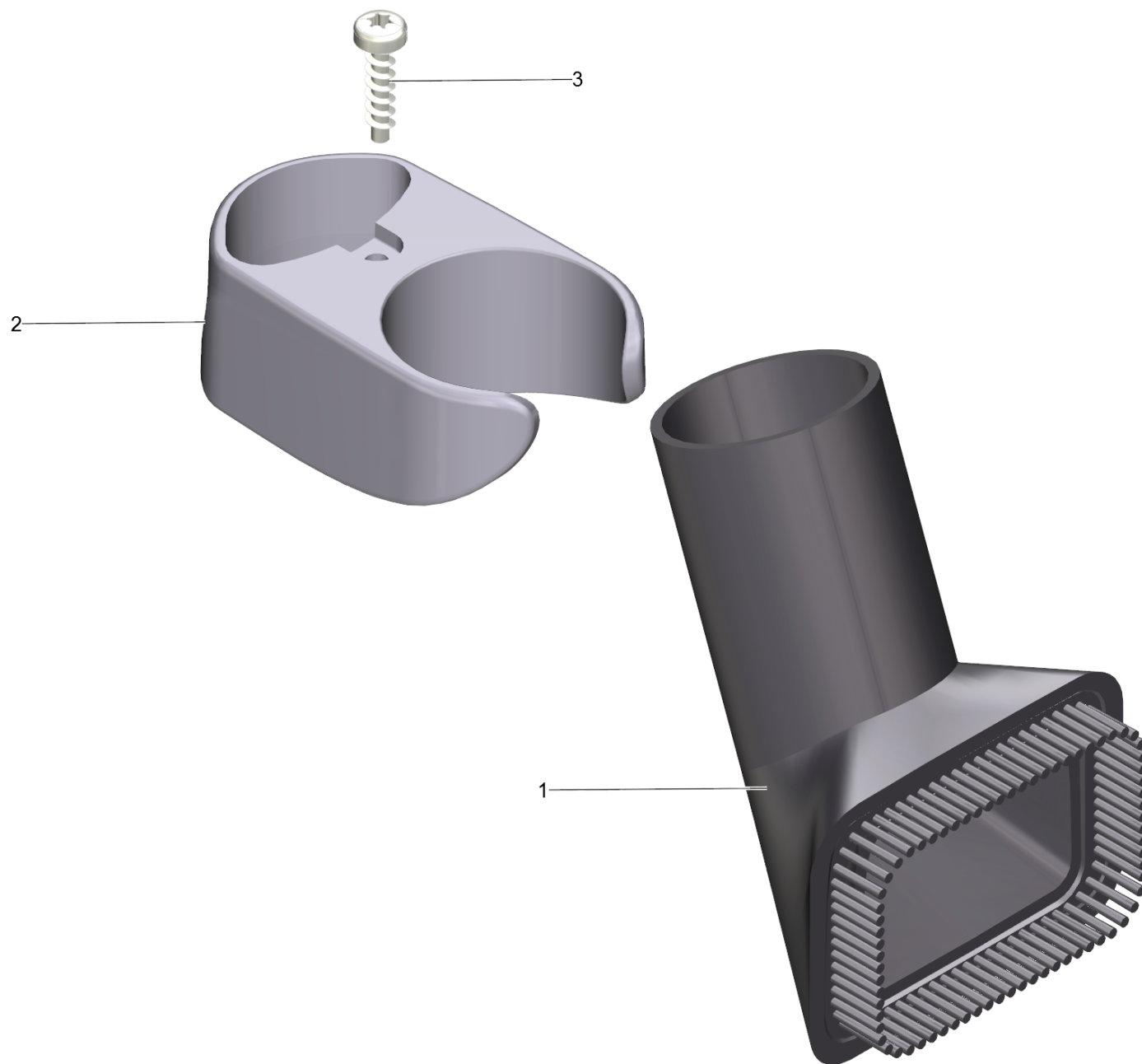
---

<b>POS</b>	<b>Description</b>	<b>Quantity</b>	<b>Unit</b>
11	Individual parts	1.000	ST
12	Appliance top part	1.000	ST



## 11 Individual parts

POS	Article no.	Description	Quantity	Unit
1	5.321-713.0	Handhold	1.000	ST
2	4.128-001.0	Handle complete only for replacement	1.000	ST
3	5.129-046.0	Suction tube	1.000	ST
5	6.391-115.0	Suction hose DN32	1.000	ST
6	5.570-075.0	Ring suction tube	1.000	ST
7	5.032-540.0	Hosebarb	1.000	ST
8	5.031-011.0	Locking ring	1.000	ST
9	6.391-934.0	Suction hose DN32	1.000	ST
10	7.303-108.0	Screw 5x20 -10.9-R2R (In6Rd)	2.000	ST
11	7.303-278.0	Screw 5x45 -A2-70 (In6Rd)	1.000	ST
12	6.905-998.0	Upholstery nozzle complete NW35	1.000	ST
13	6.906-240.0	Crevice nozzle DN35	1.000	ST
14	5.041-111.0	Clip accessories	2.000	ST
15	5.042-836.0	Holder filter	1.000	ST
16	5.332-339.0	Spring	1.000	ST
17	7.303-106.0	Screw 4x12 -10.9-R2R (IN6RD)	1.000	ST
18	5.031-521.0	Lens	1.000	ST
19	5.407-135.0	Sleeve suction tube qusty grey	1.000	ST
20	4.262-015.0	Accessories kit clamp	1.000	ST
21	7.303-212.0	Screw 5x20 -A2-70 (In6Rd)	1.000	ST
22	5.332-980.0	Clamp	1.000	ST
23	6.903-862.0	Suction brush DN35	1.000	ST

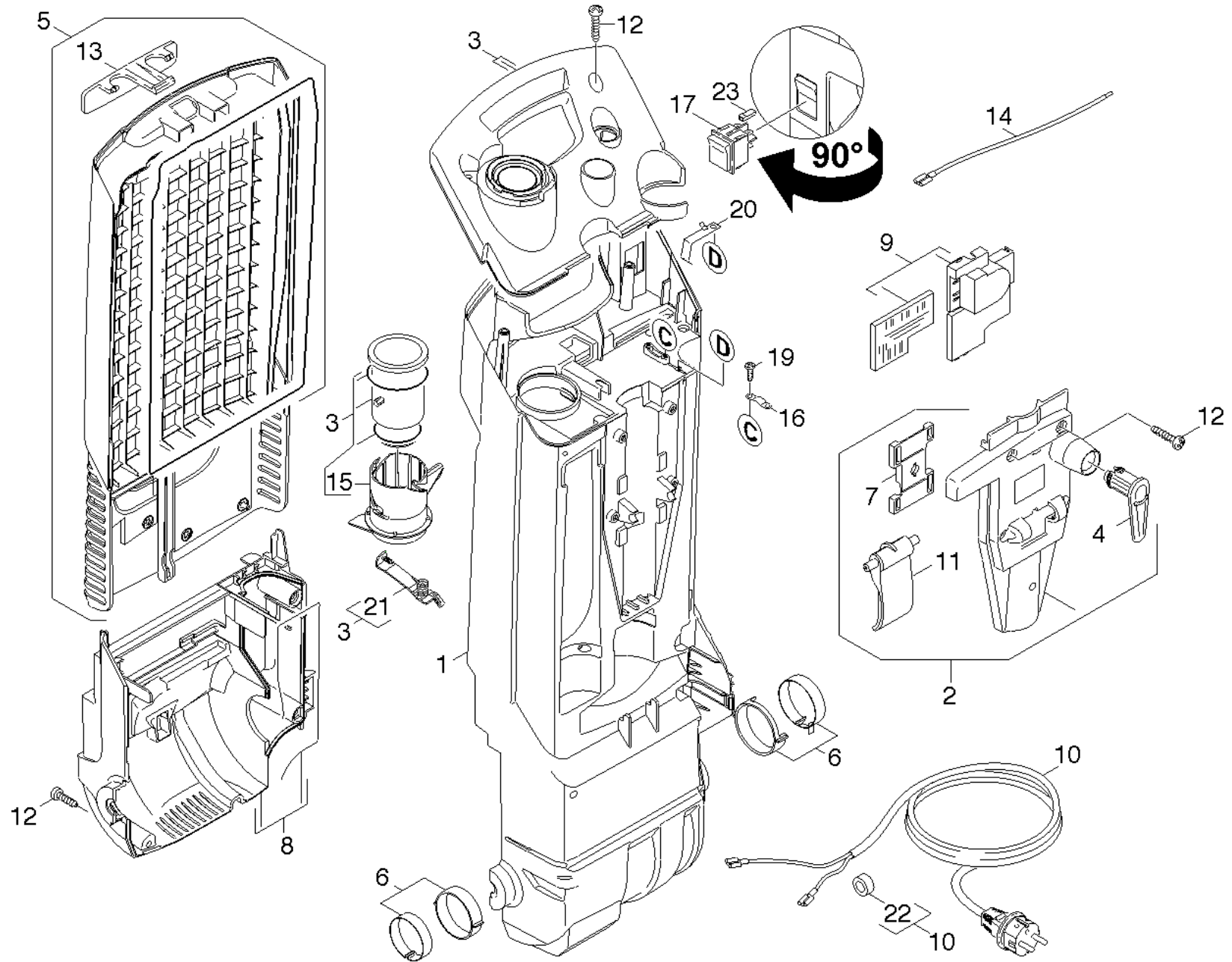




## 20 Accessories kit clamp (4.262-015.0)

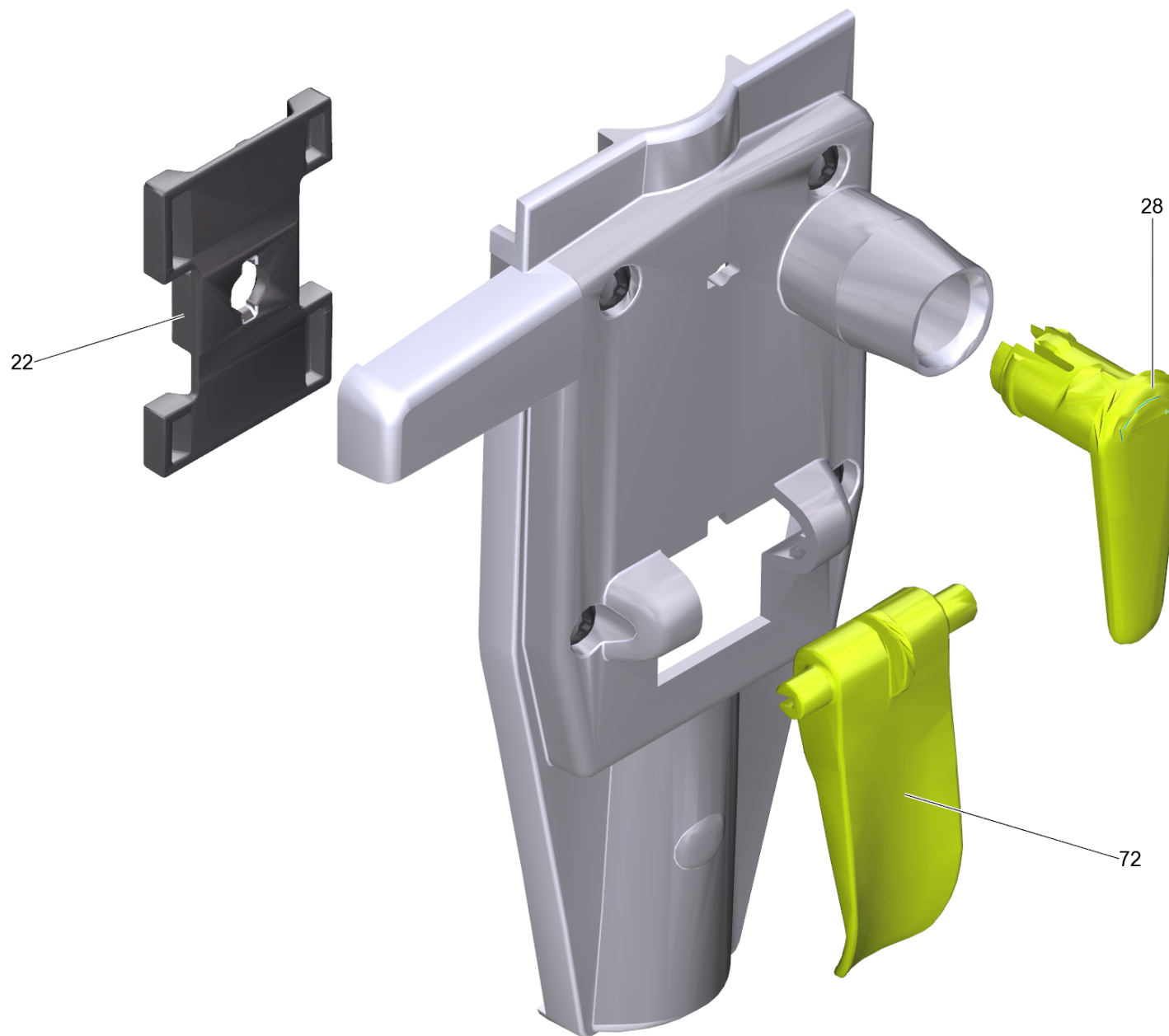
---

<b>POS</b>	<b>Article no.</b>	<b>Description</b>	<b>Quantity</b>	<b>Unit</b>
1	6.903-862.0	Suction brush DN35	1.000	ST
2	5.332-980.0	Clamp	1.000	ST
3	7.303-212.0	Screw 5x20 -A2-70 (In6Rd)	1.000	ST



## 12 Appliance top part

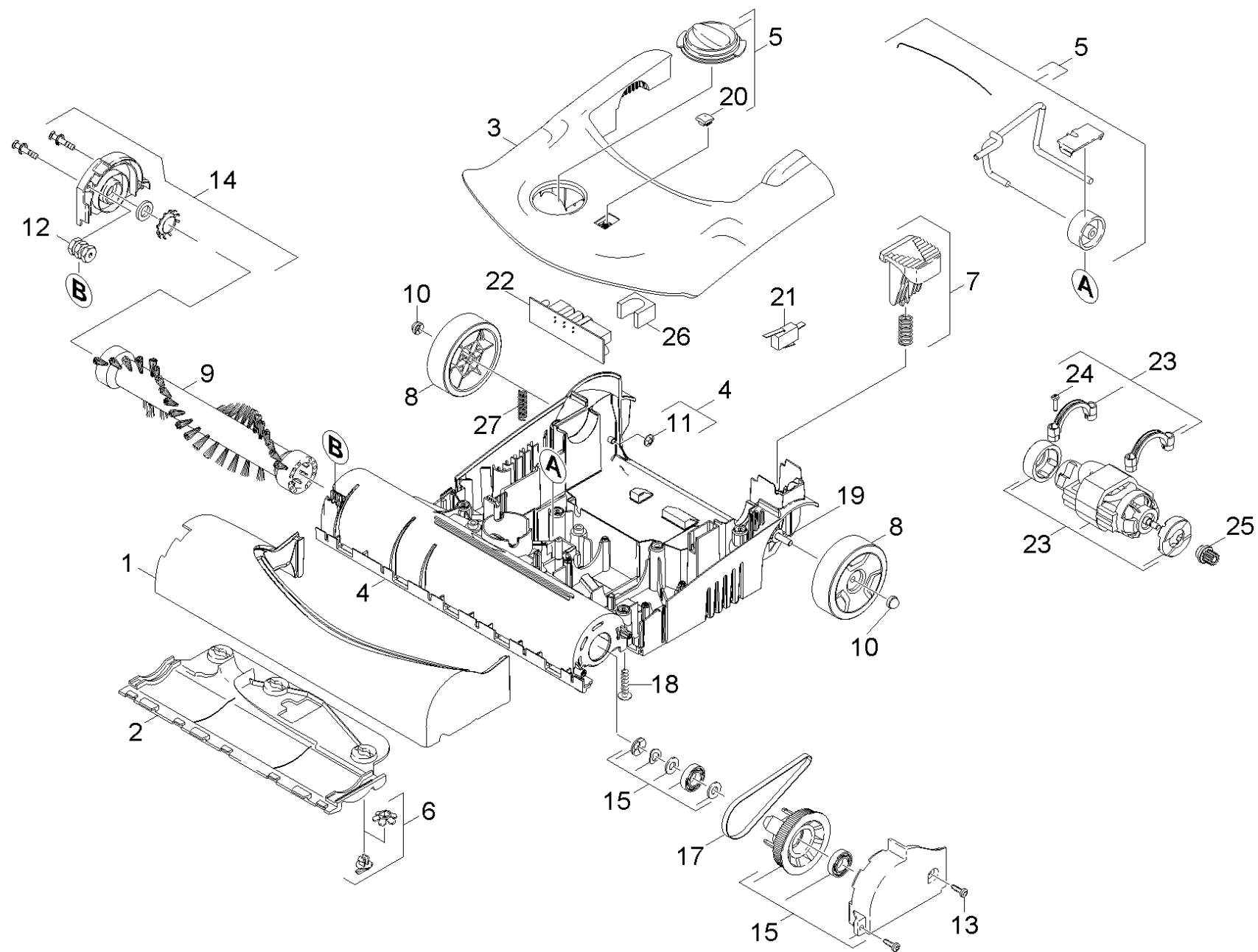
POS	Article no.	Description	Quantity	Unit
1	5.060-991.0	Housing	1.000	ST
2	4.032-003.0	Covering cap complete only for replaceme	1.000	ST
3	4.032-004.0	Covering cap electric	1.000	ST
4	5.044-661.0	Catch for cable yellow	1.000	ST
5	4.064-020.0	Cover complete	1.000	ST
6	2.889-076.0	Set bearing shells	1.000	ST
7	5.032-448.0	CLAMP	1.000	ST
8	4.053-224.0	Covering cap motor complete nur fuer Ers	1.000	ST
9	4.682-000.0	Circuit board only for replacement CV30/	1.000	ST
10	4.649-042.0	Power cable for replacement	1.000	ST
11	5.481-345.0	Clamp lever	1.000	ST
12	7.303-108.0	Screw 5x20 -10.9-R2R (In6Rd)	9.000	ST
13	5.075-038.0	Closure cover	1.000	ST
14	4.839-402.0	Electrical small parts CV 38/2, CV 48/2	1.000	ST
15	5.481-352.0	OPERATING LEVER	1.000	ST
16	6.903-241.0	Clamp clip	1.000	ST
17	6.630-678.0	Rocker switch black print gelb	1.000	ST
19	6.303-318.0	Screw 3,5x12-10.9-R2R (IN6RD)	2.000	ST
20	5.034-689.0	Spring earthing	1.000	ST
21	4.332-008.0	Spring connection piece completely	1.000	ST
22	6.346-043.0	Ferrite ring	1.000	ST
23	6.647-748.0	Insulation sheath	2.000	ST



2 Covering cap complete only for replaceme (4.032-003.0)

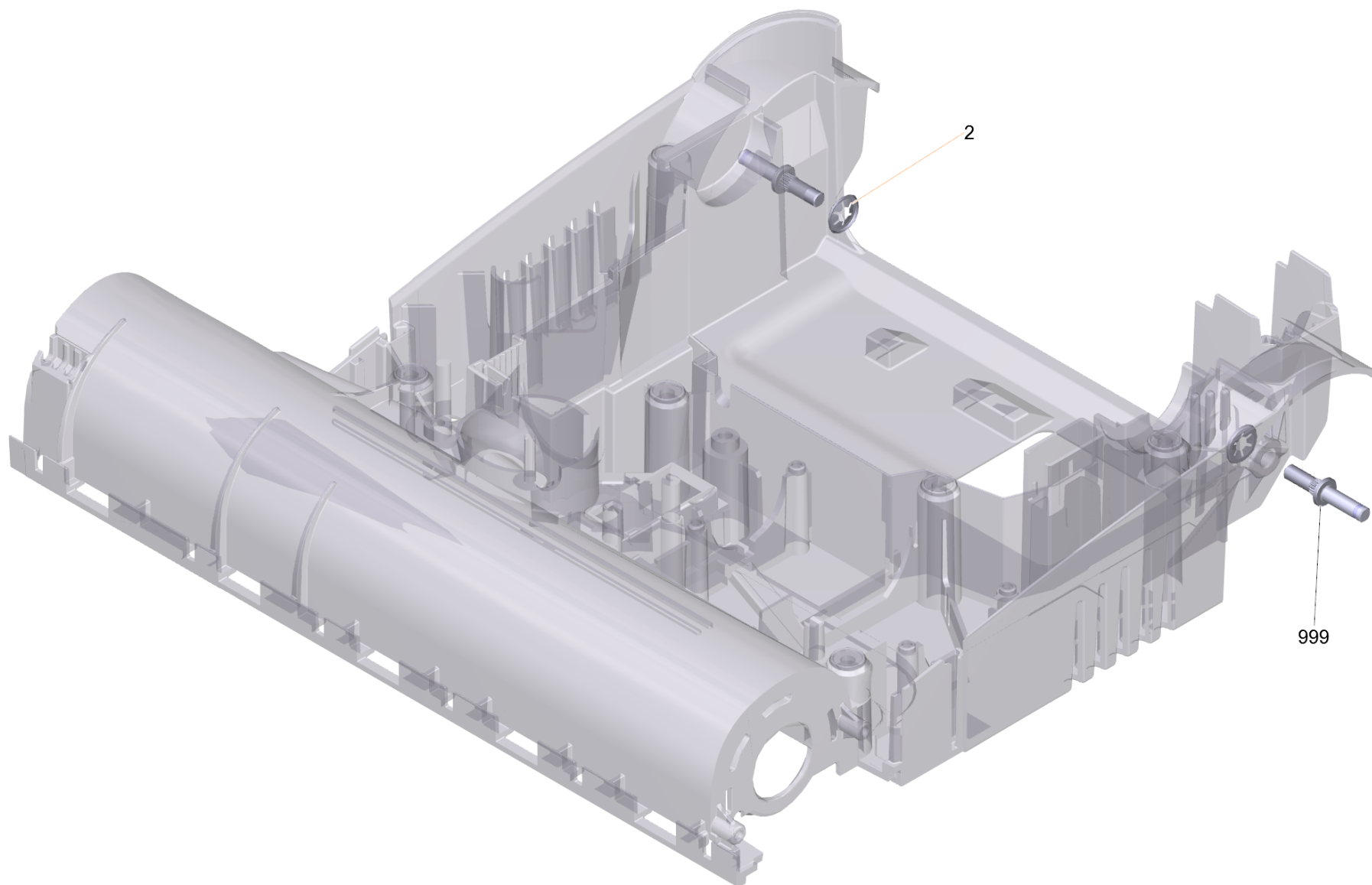
---

<b>POS</b>	<b>Article no.</b>	<b>Description</b>	<b>Quantity</b>	<b>Unit</b>
22	5.032-448.0	CLAMP	1.000	ST
28	5.044-661.0	Catch for cable yellow	1.000	ST
72	5.481-345.0	Clamp lever	1.000	ST



## 20 Brush-head

POS	Article no.	Description	Quantity	Unit	Serial number from	Serial number to	Foot note text
1	5.032-456.0	Bumper CV 38/1	1.000	ST			
2	5.058-572.0	Sliding bottom CV 38/2	1.000	ST			
3	4.062-015.0	Housing top part complete RAL 7012	1.000	ST			
4	4.062-007.0	Housing complete	1.000	ST			
5	4.515-316.0	Adjusting wheel complete	1.000	ST			
6	2.889-084.0	Closure parts set for replacement	1.000	ST			
7	4.481-265.0	Foot pedal complete	1.000	ST			YELLOW
8	5.515-374.0	Wheel	2.000	ST			
9	6.906-644.0	Roller brush red	1.000	ST	30001		
9	6.906-643.0	Roller brush black	1.000	ST		30000	
9	4.762-487.0	Roller brush antistatic	1.000	ST			
10	6.343-187.0	Lock washer	2.000	ST			
11	6.343-119.0	Lock washer	2.000	ST			
12	5.401-288.0	Screw connector part	2.000	ST			
13	7.303-106.0	Screw 4x12 -10.9-R2R (IN6RD)	2.000	ST			
14	4.063-892.0	Covering cap complete brush Aluminiumdru	1.000	ST			
15	4.063-774.0	Covering cap complete belt	1.000	ST			
17	6.348-460.0	Toothed belt	1.000	ST			
18	6.303-200.0	Screw 5x25-IN6RD	8.000	ST			
19	9.412-178.0	Axle	1.000	ST			
20	5.033-452.0	Lens	1.000	ST			
21	6.630-135.0	Micro switch	1.000	ST			
22	6.682-291.0	Printed circuit board 230V	1.000	ST			
23	4.613-008.0	Motor complete 230V	1.000	ST			
24	7.303-096.0	Screw 4x22 -ST-10.9-R2R (IN6RD)	4.000	ST			
25	5.033-459.0	Pinion	1.000	ST			
26	6.286-573.0	Protecting cap	1.000	ST			
27	5.332-082.0	Helical spring	1.000	ST			

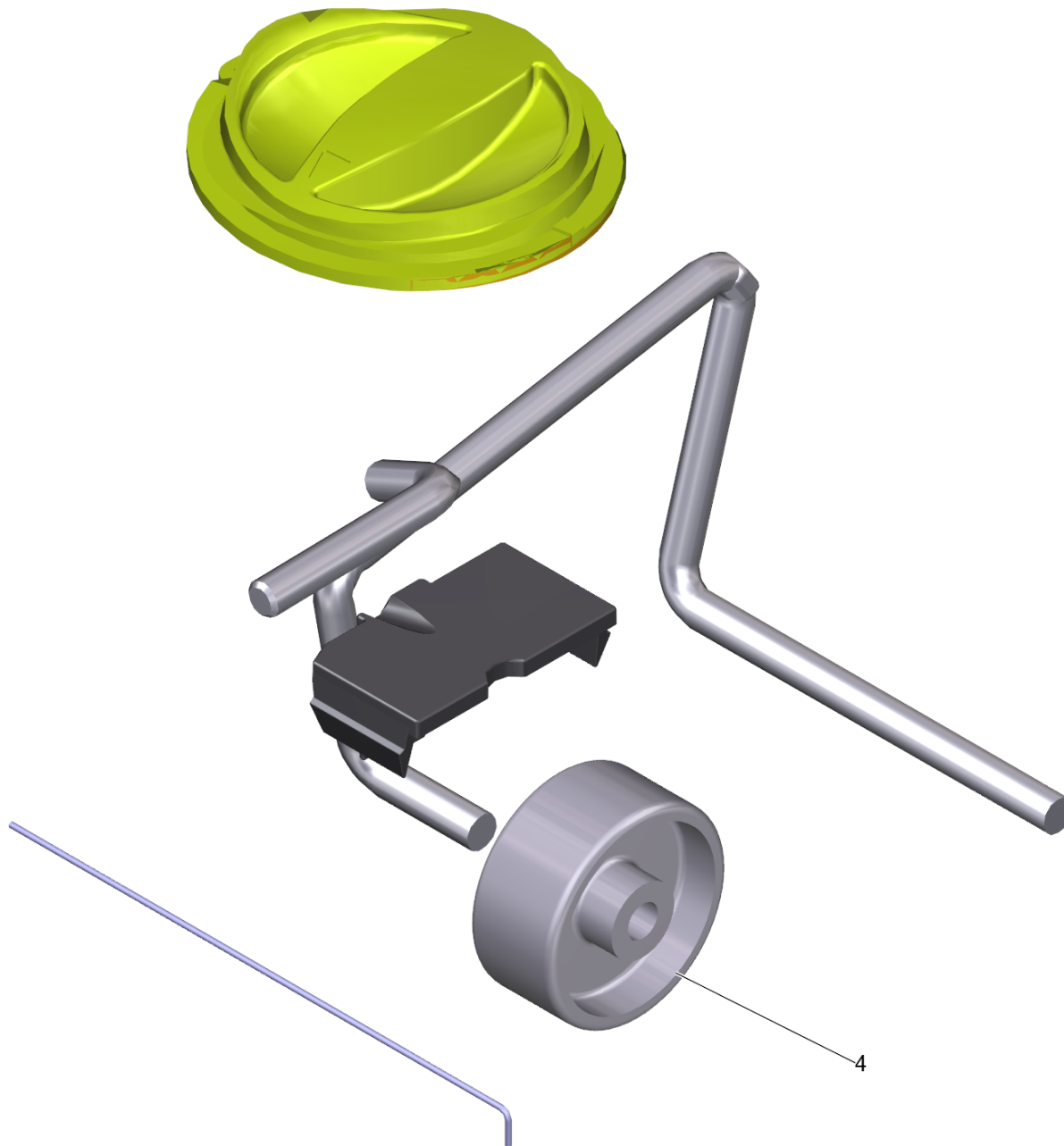




4 Housing complete (4.062-007.0)

---

<b>POS</b>	<b>Article no.</b>	<b>Description</b>	<b>Quantity</b>	<b>Unit</b>
2	6.343-119.0	Lock washer	2.000	ST
999	9.412-178.0	Axle	2.000	ST

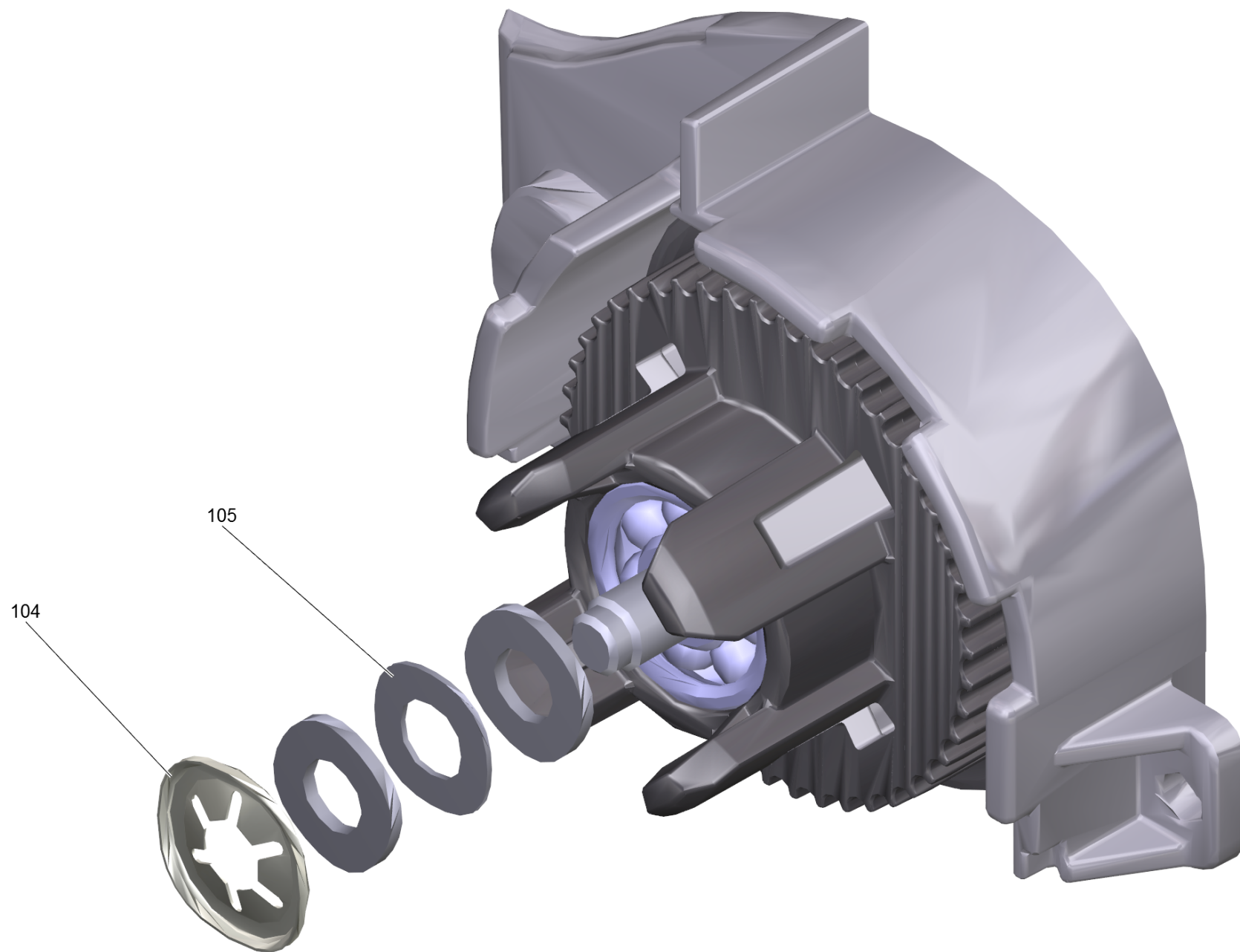


5 Adjusting wheel complete (4.515-316.0)

---

POS	Article no.	Description	Quantity	Unit
4	5.515-069.0	Wheel	1.000	ST

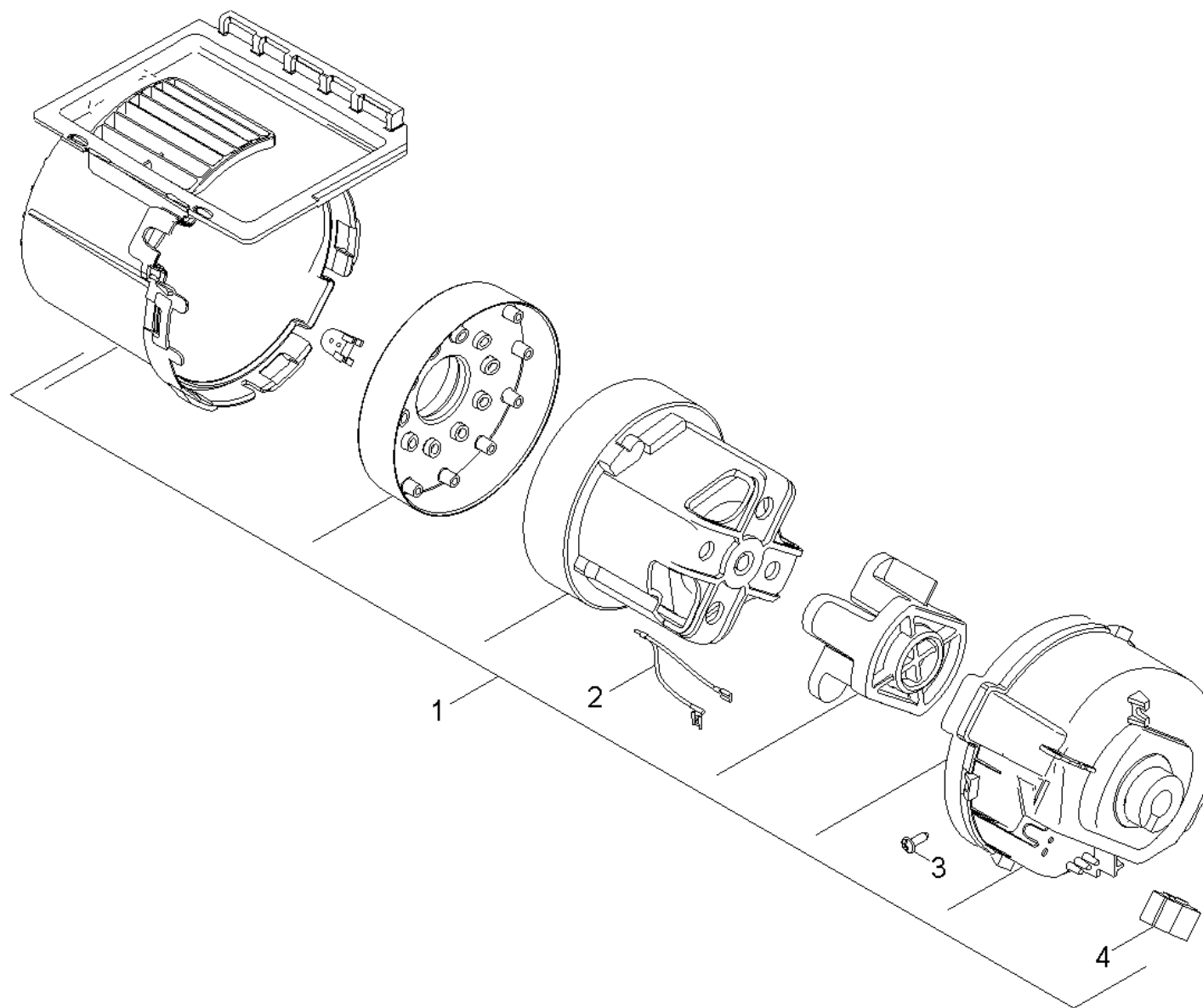
---



15 Covering cap complete belt (4.063-774.0)

---

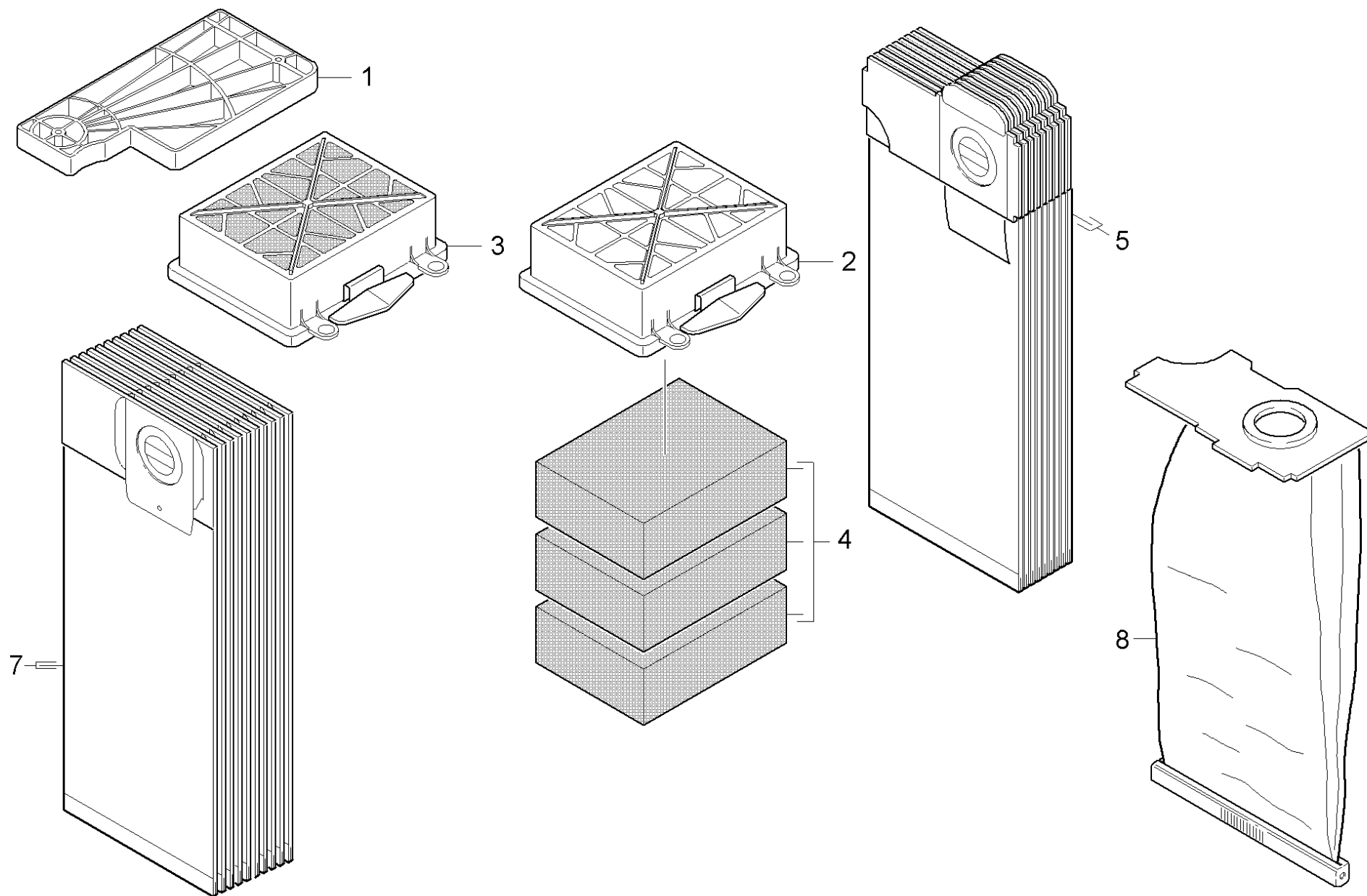
<b>POS</b>	<b>Article no.</b>	<b>Description</b>	<b>Quantity</b>	<b>Unit</b>
104	6.343-119.0	Lock washer	1.000	ST
105	7.312-305.0	Spring washer B 6-FST-A2E DIN 137	1.000	ST



### 30 Vacuum motor

---

<b>POS</b>	<b>Article no.</b>	<b>Description</b>	<b>Quantity</b>	<b>Unit</b>	<b>Serial number from</b>	<b>Serial number to</b>
1	4.060-793.0	Motor housing complete	1.000	ST		30000
1	4.060-035.0	Motor housing complete	1.000	ST	30001	
2	6.649-760.0	Cable vacuum motor	2.000	ST		
3	7.303-106.0	Screw 4x12 -10.9-R2R (IN6RD)	4.000	ST		
4	6.643-551.0	Strip terminal	1.000	ST		





## 40 Accessories

---

<b>POS</b>	<b>Article no.</b>	<b>Description</b>	<b>Quantity</b>	<b>Unit</b>
1	5.731-611.0	Filter motor protecting	1.000	ST
2	5.731-614.0	Filter frame grey	1.000	ST
3	6.414-760.0	Filter packaged HEPA	1.000	ST
4	4.414-015.0	Filter sponge Kärcher 3St.	1.000	ST
5	6.904-294.0	FILTER BAGS 10 PC	1.000	ST
7	6.904-305.0	Filter bag fleece 10 Stk.	1.000	ST
8	6.904-301.0	Filter bag cloth	1.000	ST