

## **Spare parts list**

(1.636-467.0) K 5.75 Jubilee Plus DR RR \*EU

## Table of contents

---

K 5.75 Jubilee Plus DR RR *EU (1.636-467.0)	3
201 Spare parts list K5.55 jubilee*EU (5.970-990.0)	4
10 Housing	5
14 Wheel set replacement 250 Hummer (4.515-288.0)	7
20 Pump set	9
21 Housing	10
13 Spare part set control head (9.001-800.0)	12
70 Nozzle insert (4.769-035.0)	14
15 Pump head Alu FC ric (9.002-456.0)	16
23 Nozzle insert (4.769-035.0)	18
22 Housing	20
13 Spare part set control head (9.001-800.0)	22
70 Nozzle insert (4.769-035.0)	24
15 Pump head Alu FC ric (9.002-456.0)	26
23 Nozzle insert (4.769-035.0)	28
23 Thrust guidance	30
30 Motor	32
40 Accessories	34
41 Hand trigger gun	35
G 180 Q Trigger gun Quick Connect (2.642-889.0)	37
2 High pressure hose 16MPa/9m 60°C, verp. (2.641-706.0)	39
42 Jet pipe	41
2 VP 145 Vario Power Jet (packaged) (2.642-725.0)	43
3 Dirt blaster 031 St - CEM 14,5MPa (4.764-281.0)	45
43 Surface cleaner	47
17 Spare parts nozzles T-Racer (2.643-338.0)	49
17 Spare parts nozzles T-Racer (2.643-338.0)	52
44 Power Brush	55
45 Pipe cleaning set	57
50 Electric box	59

K 5.75 Jubilee Plus DR RR \*EU (1.636-467.0)

---

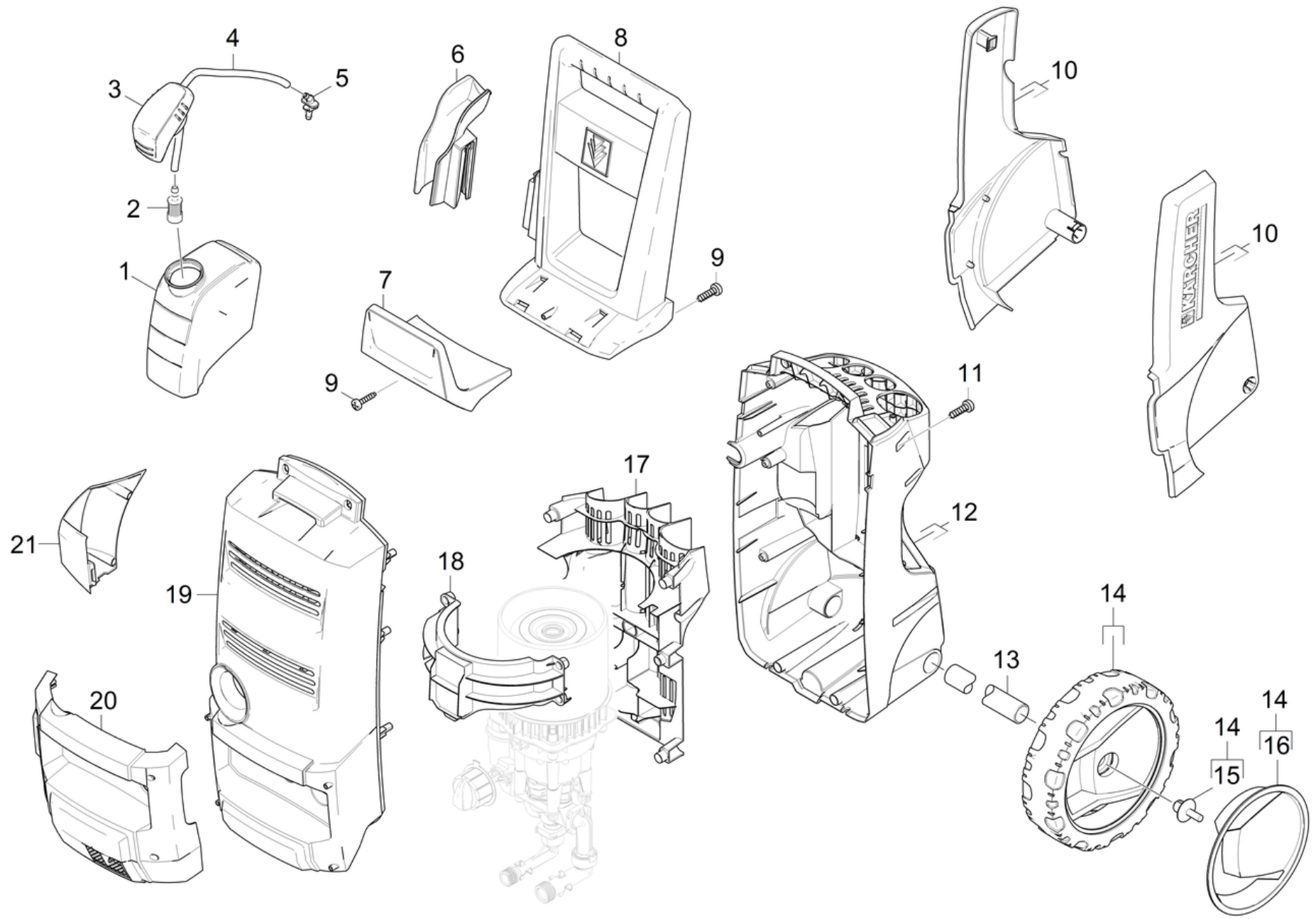
POS	Article no.	Description	Quantity	Unit
201	5.970-990.0	Spare parts list K5.55 jubilee*EU	1.000	ST
	Item text2: 14235060			

---

201 Spare parts list K5.55 jubilee\*EU (5.970-990.0)

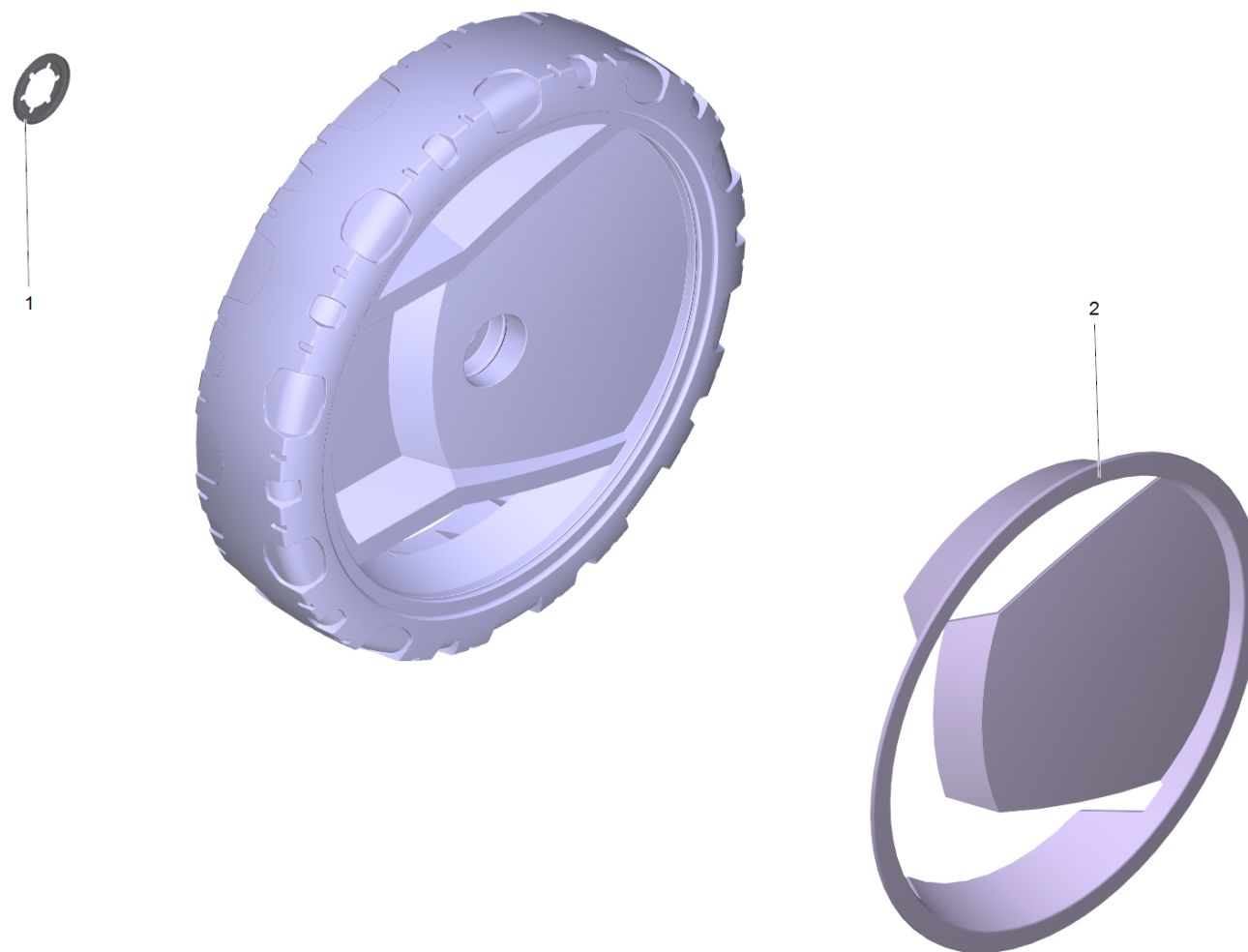
---

<b>POS</b>	<b>Description</b>	<b>Quantity</b>	<b>Unit</b>
40	Accessories	1.000	ST
50	Electric box	1.000	ST
10	Housing	1.000	ST
30	Motor	1.000	ST
20	Pump set	1.000	ST



## 10 Housing

POS	Article no.	Description	Quantity	Unit	Foot note text
13	9.039-259.0	Axle d16x304 Sp.1	1.000	ST	
20	9.037-297.0	Bumper complete K5.68MD	1.000	ST	
3	9.048-080.0	Cap of a tank	1.000	ST	
12	9.037-305.0	Chassis rear K3.68	1.000	ST	
10	9.001-650.0	Covering cap left / right KX.68	1.000	ST	
19	9.001-651.0	Cover Kx.68 SOLO KÄRCHER	1.000	ST	
15	5.132-178.0	Expanding rivet steel axis	2.000	ST	
2	5.731-652.0	Filter with weight	1.000	ST	
18	9.037-365.0	Flange bracket KX.68	1.000	ST	
8	9.037-312.0	Hand grip K3.68	1.000	ST	
7	9.037-293.0	Holder hose KX.68MD	1.000	ST	
21	9.037-315.0	Holder jet pipe K5.68MD	1.000	ST	
6	5.321-904.0	Holder pistol	1.000	ST	NEW VERSION
4	6.388-216.0	Hose DN 5	1.000	M	TO ORDER AS CUT GOODS
17	9.037-404.0	Moulded part KX.68	1.000	ST	
5	9.037-314.0	Nipple	1.000	ST	
16	4.515-296.0	Screen for replacement 250 Hummer	1.000	ST	SET OF 2 PIECES
9	9.086-203.0	Screw 4x22	7.000	ST	
11	9.086-221.0	Screw ATF 4.1x22	8.000	ST	
1	9.037-292.0	Tank KX.68MD	1.000	ST	
14	4.515-288.0	Wheel set replacement 250 Hummer	1.000	ST	SET OF 2 PIECES



14 Wheel set replacement 250 Hummer (4.515-288.0)

---

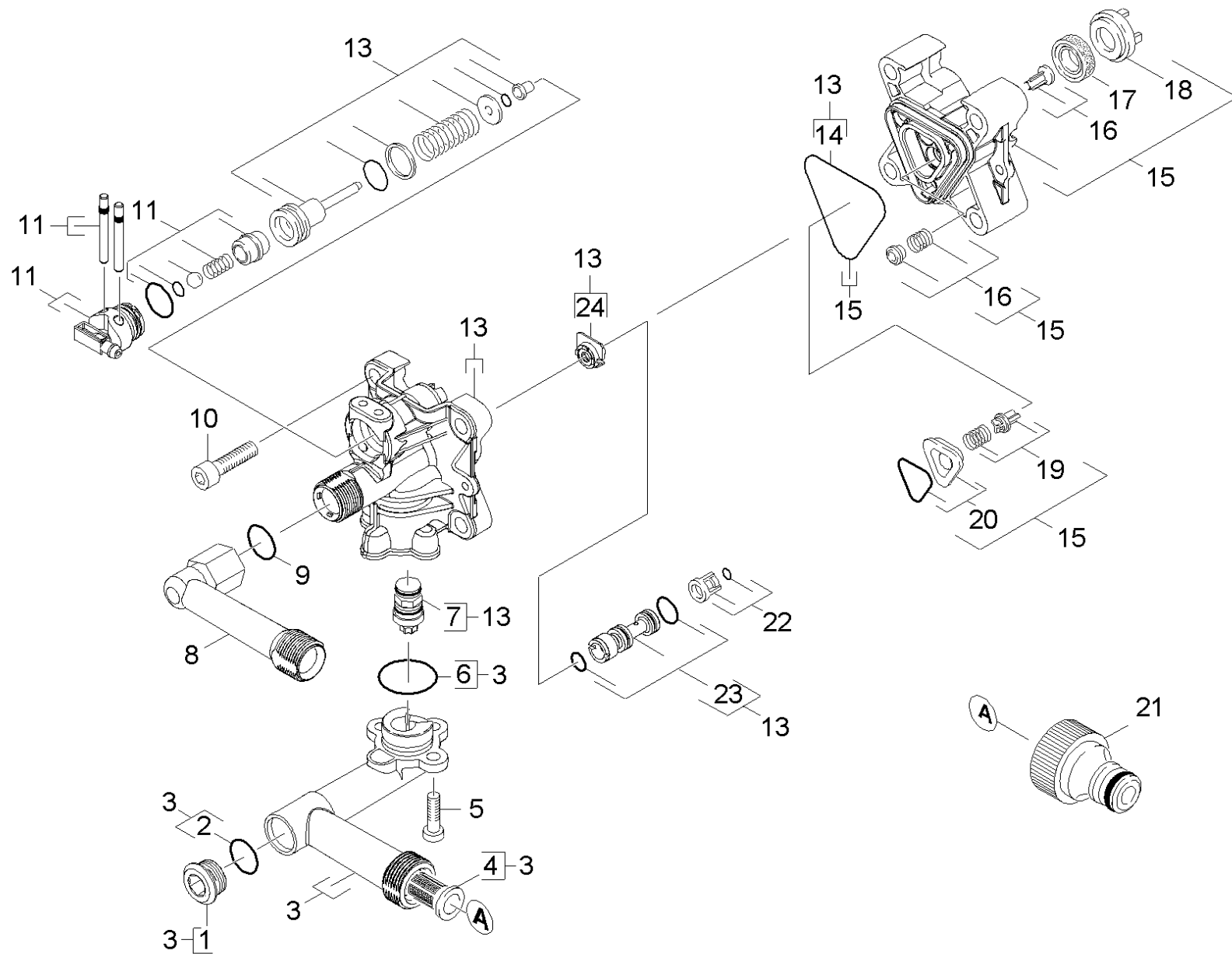
<b>POS</b>	<b>Article no.</b>	<b>Description</b>	<b>Quantity</b>	<b>Unit</b>	<b>Foot note text</b>
1	6.343-168.0	Lock washer	2.000	ST	
2	4.515-296.0	Screen for replacement 250 Hummer	1.000	ST	SET OF 2 PIECES



## 20 Pump set

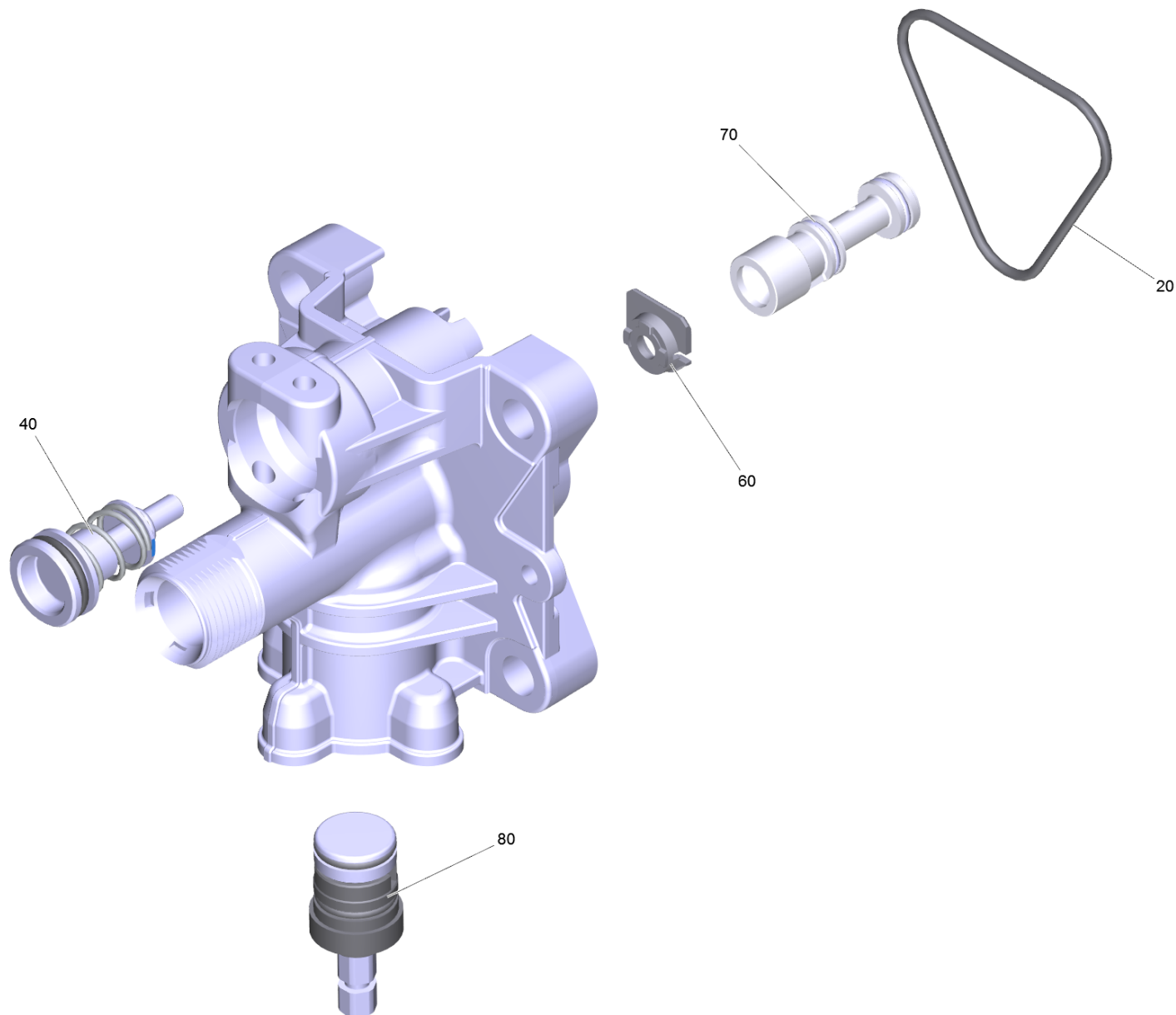
---

POS	Description	Quantity	Unit	Remark
21	Housing	1.000	ST	1.636-460.0/-461.0/-462.0/-463.0/-467.0
22	Housing	1.000	ST	1.636-465.0/-466.0/
23	Thrust guidance	1.000	ST	



## 21 Housing

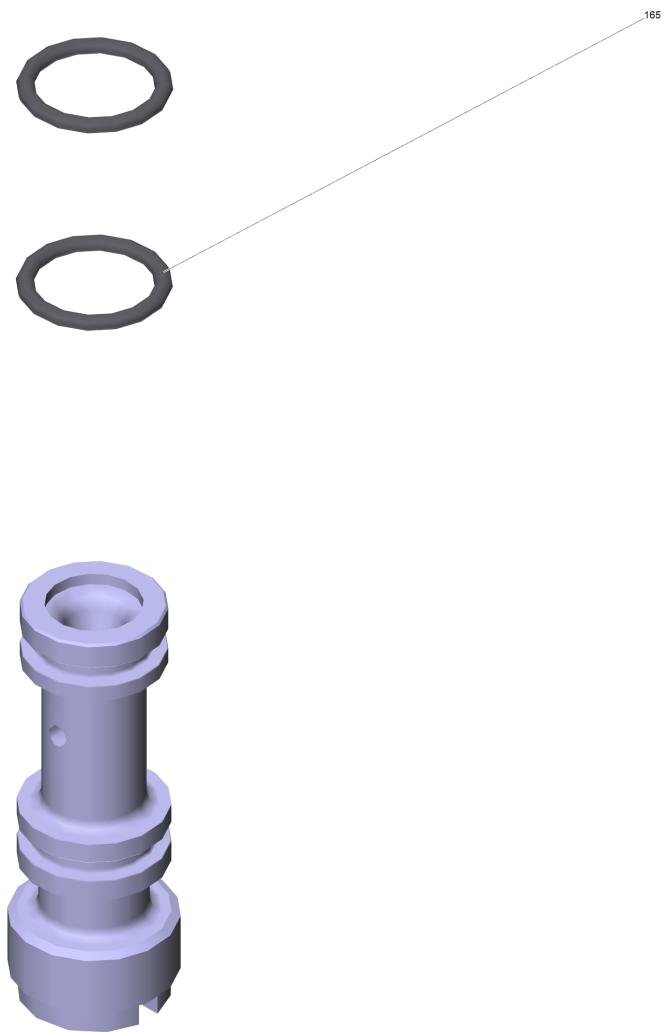
POS	Article no.	Description	Quantity	Unit
22	9.001-819.0	Cage complete	1.000	ST
21	6.465-031.0	Connection 3/4	1.000	ST
3	9.001-278.0	Connection complete	1.000	ST
	<b>Item text1:</b> 1.636-460.0 /-461.0 /-462.0 /-463.0 /			
	<b>Item text2:</b> -467.0 /-468.0			
10	7.306-151.0	Cylinder head screw M8x65 -8.8-A2E ISO4	4.000	ST
24	9.037-142.0	Distance holder	1.000	ST
4	5.731-598.0	Fine filter long	1.000	ST
14	9.081-424.0	Form seal	1.000	ST
17	6.362-875.0	Grooved ring	3.000	ST
20	9.001-276.0	Joining piece	1.000	ST
16	9.001-110.0	Moulded part complete	1.000	ST
23	4.769-035.0	Nozzle insert	1.000	ST
9	6.362-151.0	O-Ring d. 10 x 2 NBR 70	1.000	ST
6	9.081-417.0	O-Ring d.20 x 2	1.000	ST
2	9.081-402.0	O-Ring seal 15x2	1.000	ST
8	9.002-524.0	Output complete K7	1.000	ST
7	9.002-164.0	plastic by pass (spare)	1.000	ST
15	9.002-456.0	Pump head Alu FC ric	1.000	ST
5	9.086-199.0	Screw M6x16	3.000	ST
1	9.036-898.0	Screw plug	1.000	ST
13	9.001-800.0	Spare part set control head	1.000	ST
11	9.001-277.0	Spare parts set chemistry	1.000	ST
18	9.038-428.0	Supportring 6,7 mm	3.000	ST
19	9.001-275.0	Valve set	1.000	ST



### 13 Spare part set control head (9.001-800.0)

---

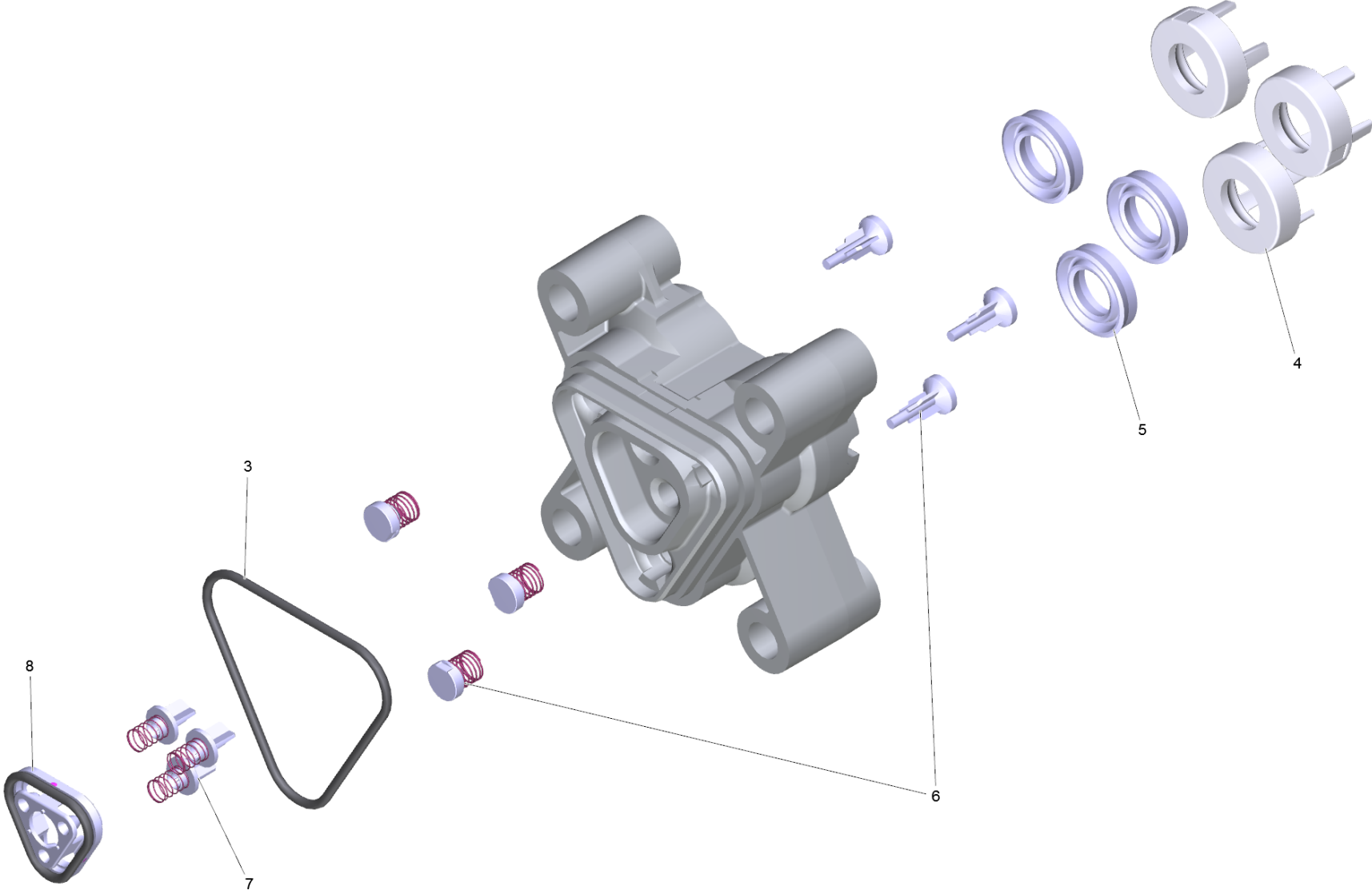
<b>POS</b>	<b>Article no.</b>	<b>Description</b>	<b>Quantity</b>	<b>Unit</b>
40	9.001-291.0	Control piston set replacement	1.000	ST
60	9.037-142.0	Distance holder	1.000	ST
20	9.081-424.0	Form seal	1.000	ST
70	4.769-035.0	Nozzle insert	1.000	ST
80	9.002-164.0	plastic by pass (spare)	1.000	ST



70 Nozzle insert (4.769-035.0)

---

<b>POS</b>	<b>Article no.</b>	<b>Description</b>	<b>Quantity</b>	<b>Unit</b>
165	6.362-384.0	O-Ring seal 9x1,5 - NBR 70	2.000	ST

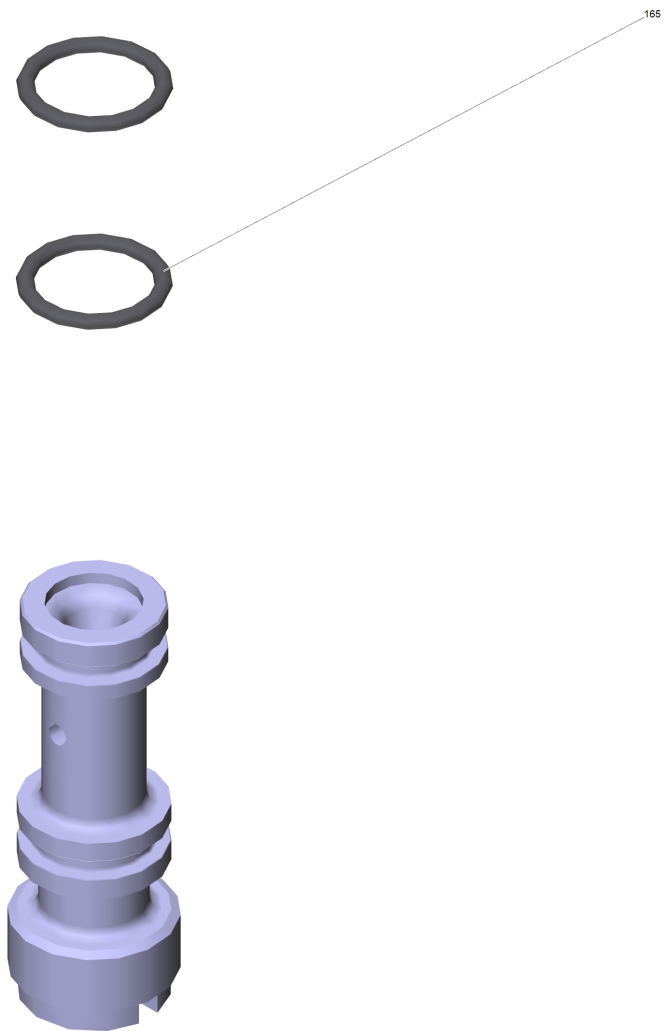




## 15 Pump head Alu FC ric (9.002-456.0)

---

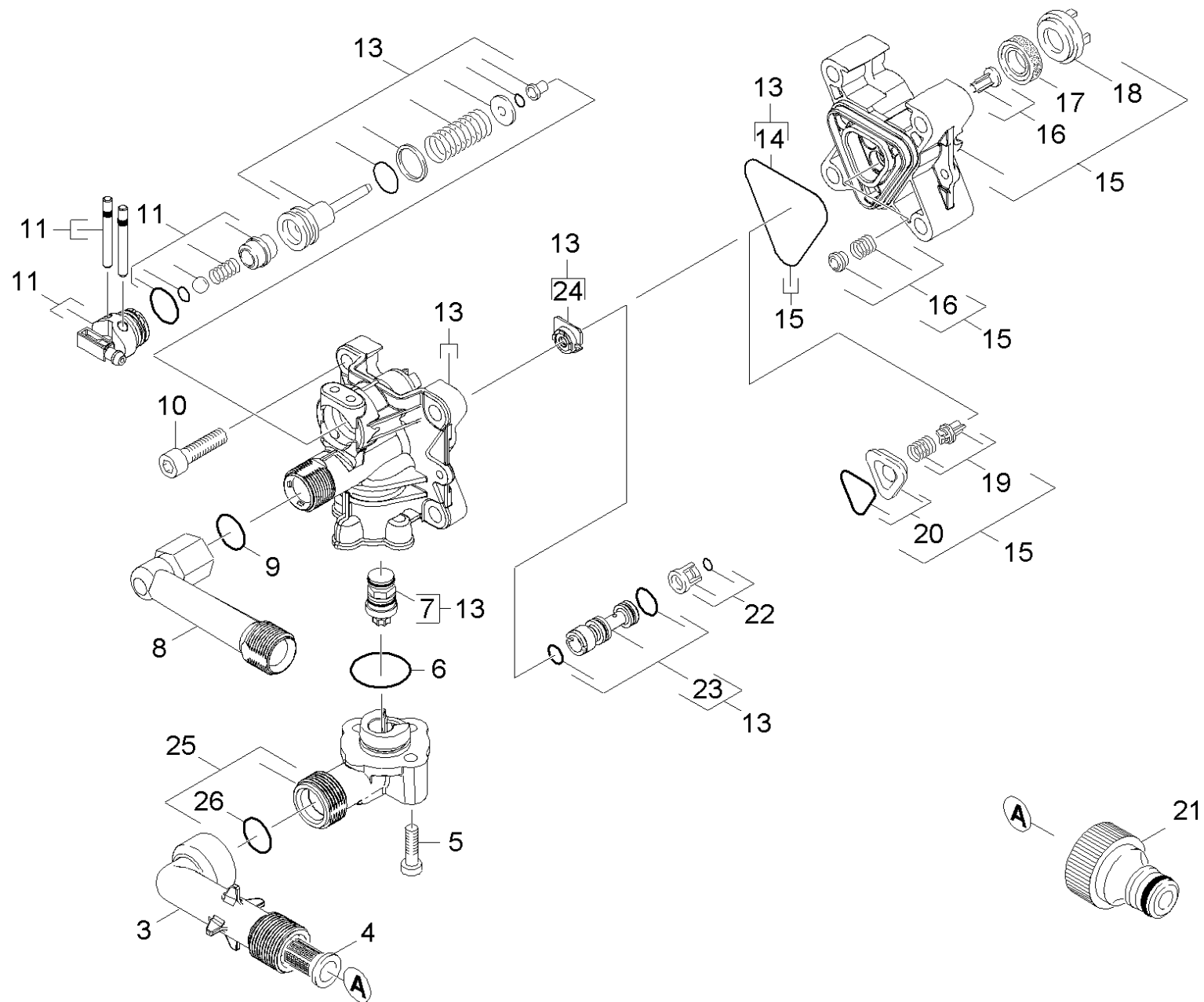
<b>POS</b>	<b>Article no.</b>	<b>Description</b>	<b>Quantity</b>	<b>Unit</b>
3	9.081-424.0	Form seal	1.000	ST
5	6.362-875.0	Grooved ring	3.000	ST
8	9.001-276.0	Joining piece	1.000	ST
6	9.001-110.0	Moulded part complete	1.000	ST
4	9.038-428.0	Supportring 6,7 mm	3.000	ST
7	9.001-275.0	Valve set	1.000	ST



23 Nozzle insert (4.769-035.0)

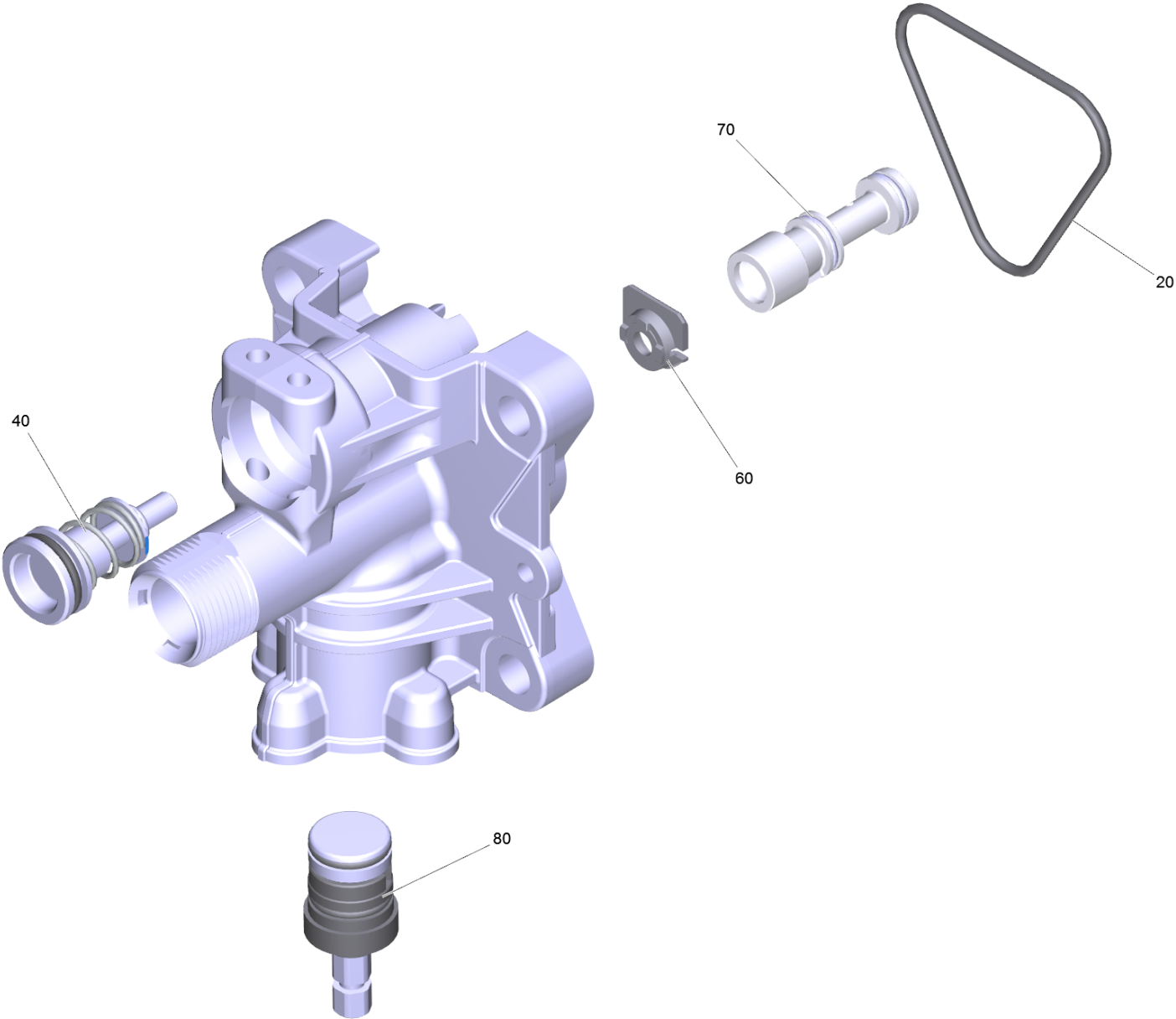
---

<b>POS</b>	<b>Article no.</b>	<b>Description</b>	<b>Quantity</b>	<b>Unit</b>
165	6.362-384.0	O-Ring seal 9x1,5 - NBR 70	2.000	ST



## 22 Housing

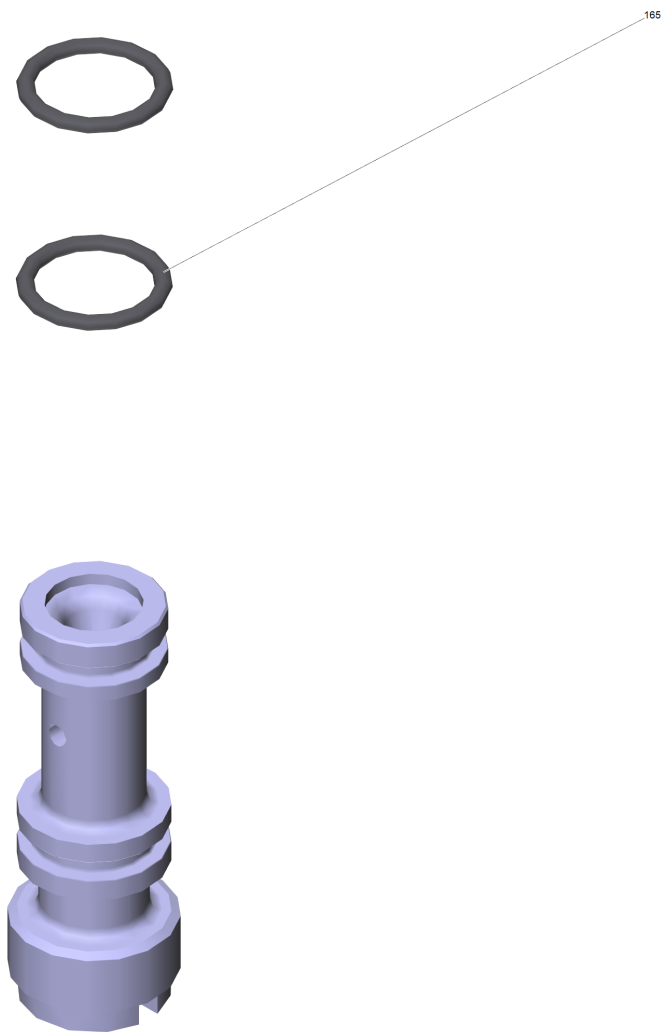
POS	Article no.	Description	Quantity	Unit
22	9.001-819.0	Cage complete	1.000	ST
21	6.465-031.0	Connection 3/4	1.000	ST
25	9.012-506.0	Connection complete	1.000	ST
	<b>Item text1:</b> 1.636-465.0 /-466.0 /			
3	9.037-320.0	Connection suction side	1.000	ST
	<b>Item text1:</b> 1.636-465.0 /-466.0 /			
10	7.306-151.0	Cylinder head screw M8x65 -8.8-A2E ISO4	4.000	ST
24	9.037-142.0	Distance holder	1.000	ST
4	5.731-598.0	Fine filter long	1.000	ST
14	9.081-424.0	Form seal	1.000	ST
17	6.362-875.0	Grooved ring	3.000	ST
20	9.001-276.0	Joining piece	1.000	ST
16	9.001-110.0	Moulded part complete	1.000	ST
23	4.769-035.0	Nozzle insert	1.000	ST
9	6.362-151.0	O-Ring d. 10 x 2 NBR 70	1.000	ST
26	9.081-417.0	O-Ring d.20 x 2	1.000	ST
6	9.081-417.0	O-Ring d.20 x 2	1.000	ST
8	9.002-524.0	Output complete K7	1.000	ST
7	9.002-164.0	plastic by pass (spare)	1.000	ST
15	9.002-456.0	Pump head Alu FC ric	1.000	ST
5	9.086-199.0	Screw M6x16	3.000	ST
13	9.001-800.0	Spare part set control head	1.000	ST
11	9.001-277.0	Spare parts set chemistry	1.000	ST
18	9.038-428.0	Supportring 6,7 mm	3.000	ST
19	9.001-275.0	Valve set	1.000	ST



### 13 Spare part set control head (9.001-800.0)

---

<b>POS</b>	<b>Article no.</b>	<b>Description</b>	<b>Quantity</b>	<b>Unit</b>
40	9.001-291.0	Control piston set replacement	1.000	ST
60	9.037-142.0	Distance holder	1.000	ST
20	9.081-424.0	Form seal	1.000	ST
70	4.769-035.0	Nozzle insert	1.000	ST
80	9.002-164.0	plastic by pass (spare)	1.000	ST

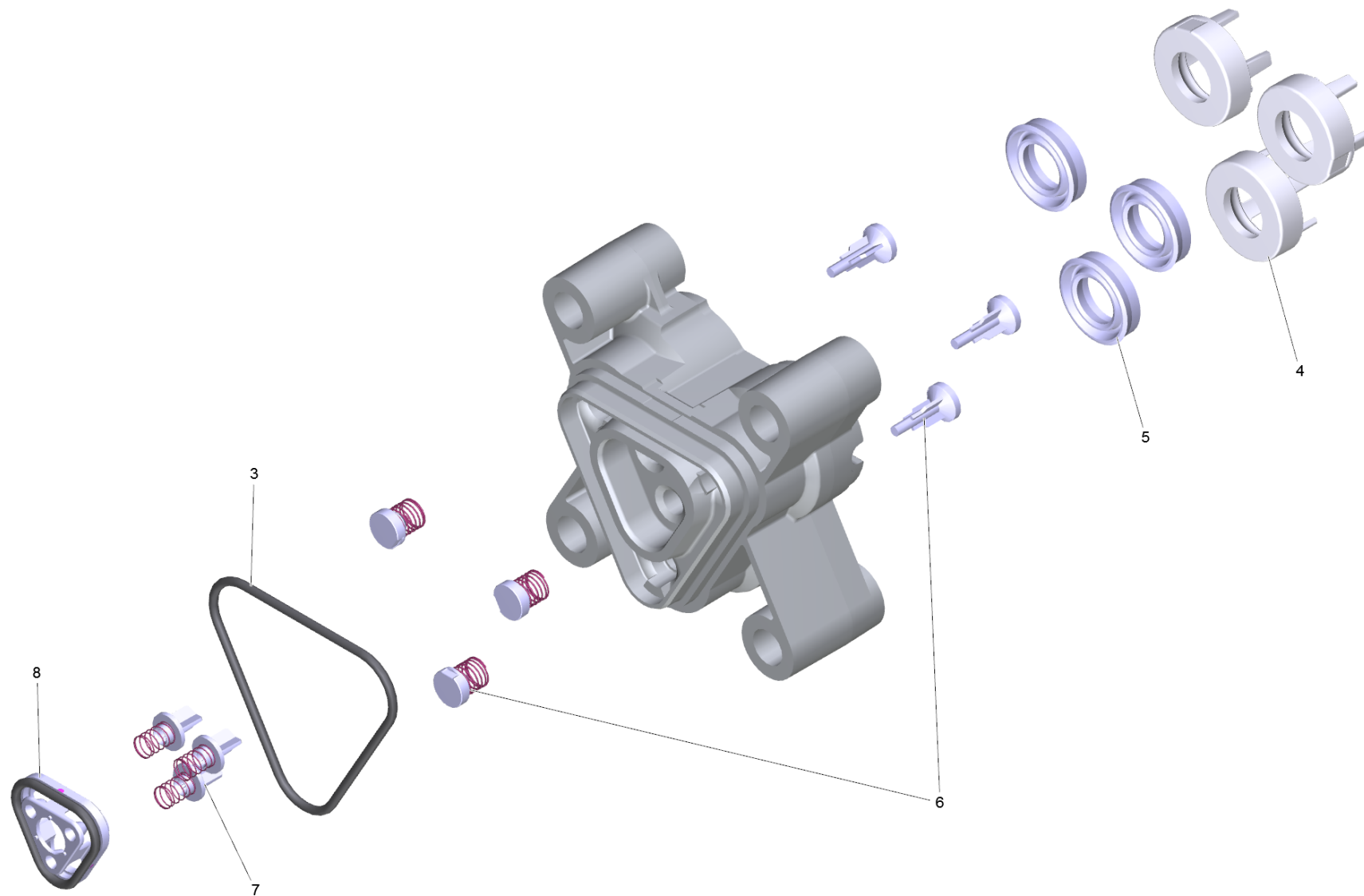




70 Nozzle insert (4.769-035.0)

---

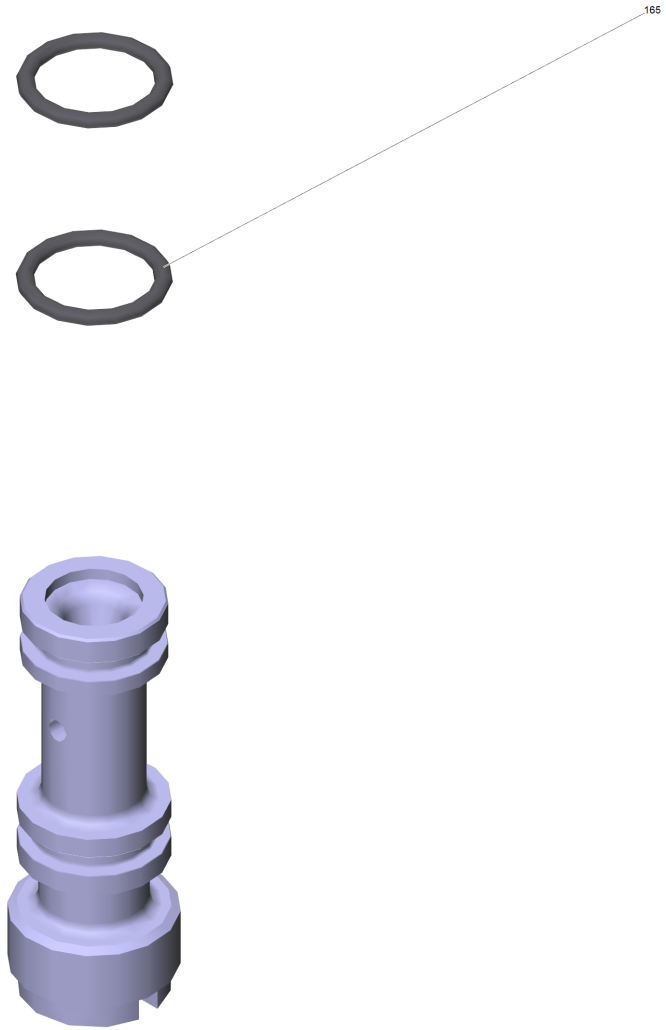
<b>POS</b>	<b>Article no.</b>	<b>Description</b>	<b>Quantity</b>	<b>Unit</b>
165	6.362-384.0	O-Ring seal 9x1,5 - NBR 70	2.000	ST



## 15 Pump head Alu FC ric (9.002-456.0)

---

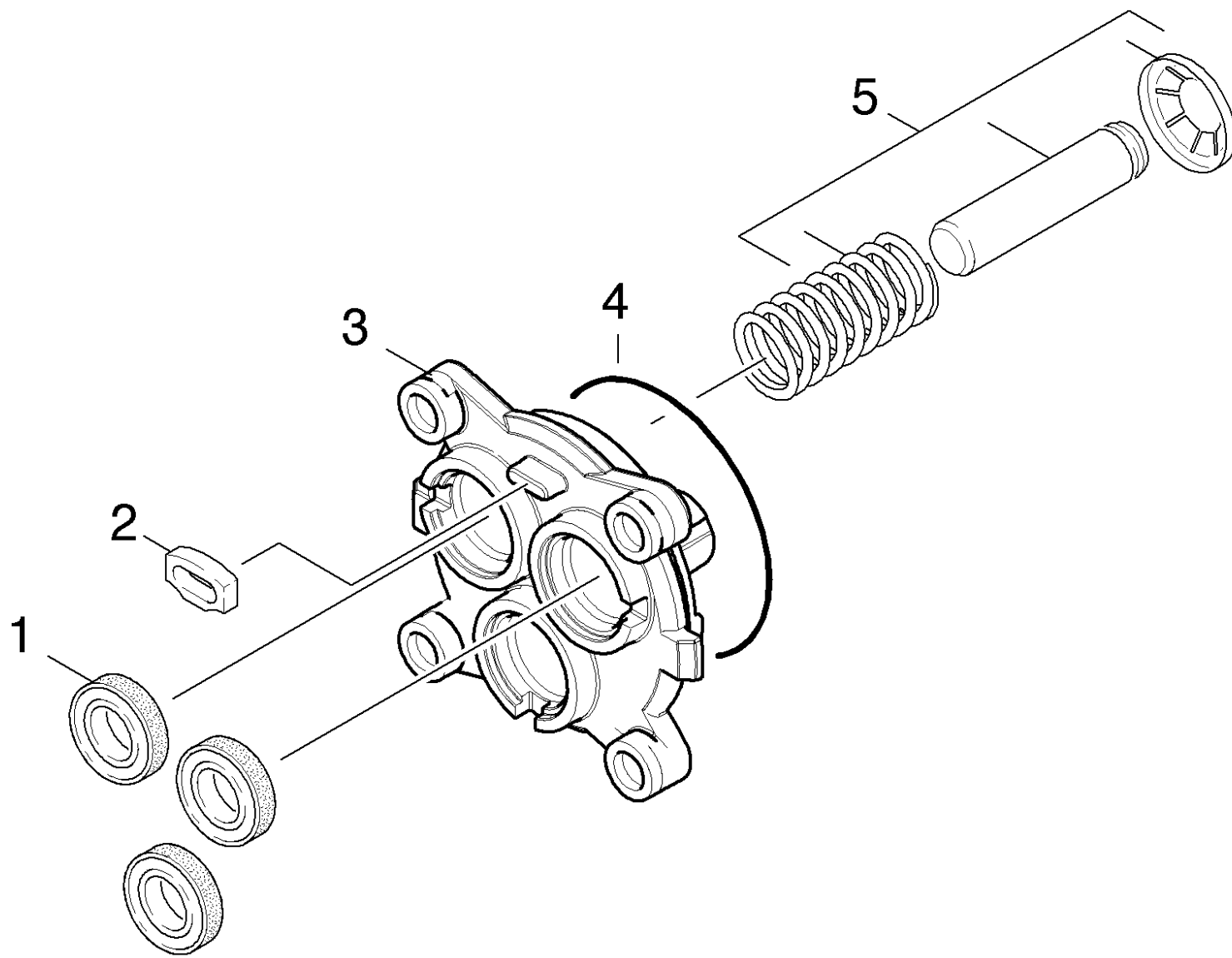
<b>POS</b>	<b>Article no.</b>	<b>Description</b>	<b>Quantity</b>	<b>Unit</b>
3	9.081-424.0	Form seal	1.000	ST
5	6.362-875.0	Grooved ring	3.000	ST
8	9.001-276.0	Joining piece	1.000	ST
6	9.001-110.0	Moulded part complete	1.000	ST
4	9.038-428.0	Supportring 6,7 mm	3.000	ST
7	9.001-275.0	Valve set	1.000	ST



23 Nozzle insert (4.769-035.0)

---

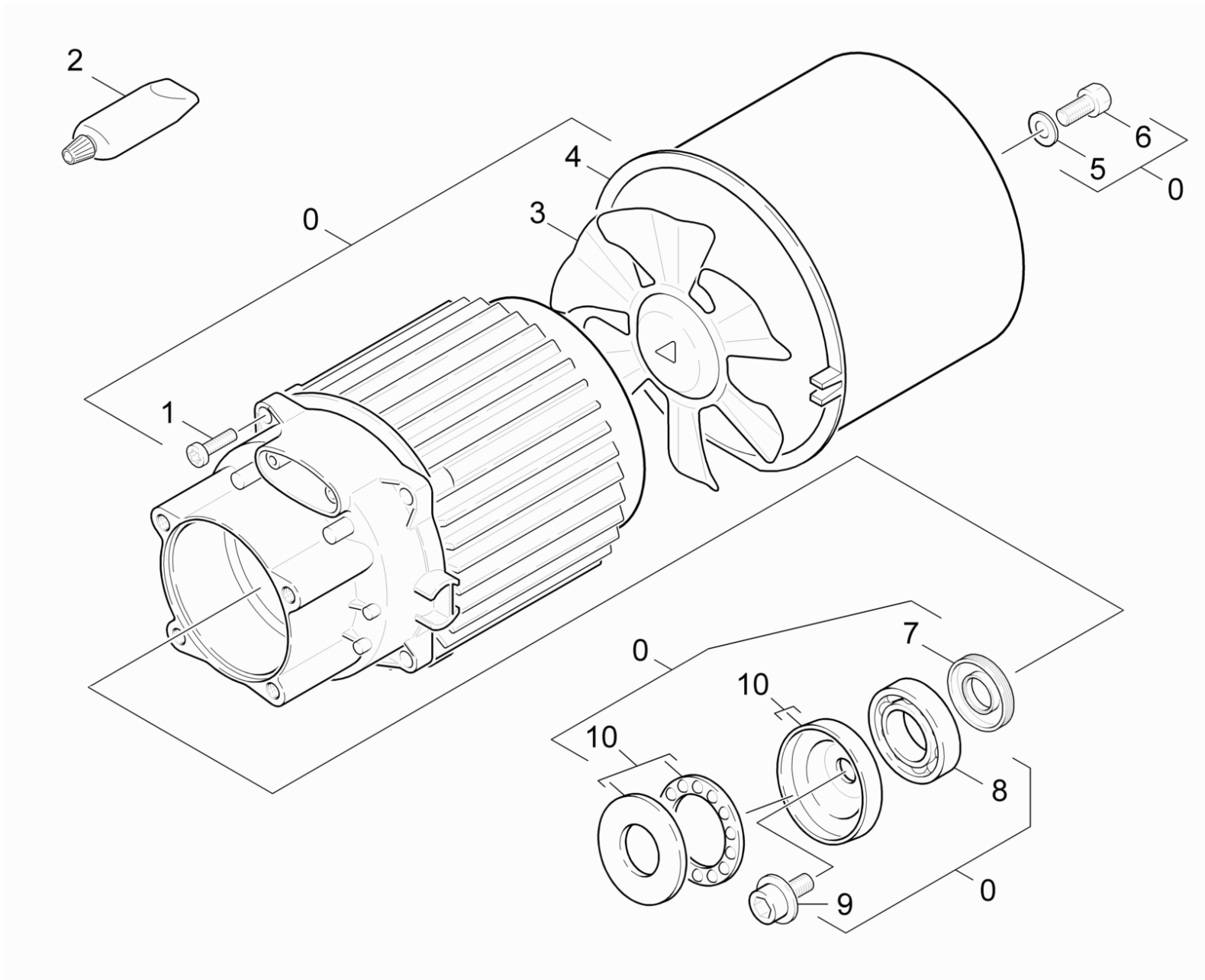
<b>POS</b>	<b>Article no.</b>	<b>Description</b>	<b>Quantity</b>	<b>Unit</b>
165	6.362-384.0	O-Ring seal 9x1,5 - NBR 70	2.000	ST



## 23 Thrust guidance

---

<b>POS</b>	<b>Article no.</b>	<b>Description</b>	<b>Quantity</b>	<b>Unit</b>
1	6.964-026.0	Grooved ring	3.000	ST
4	9.080-426.0	O-Ring seal 62x3 NBR 70Shore	1.000	ST
5	9.001-927.0	Piston complete	3.000	ST
3	9.042-151.0	Pistons guide pump K5 FC machined	1.000	ST
2	9.048-071.0	Spacer - Seal	1.000	ST





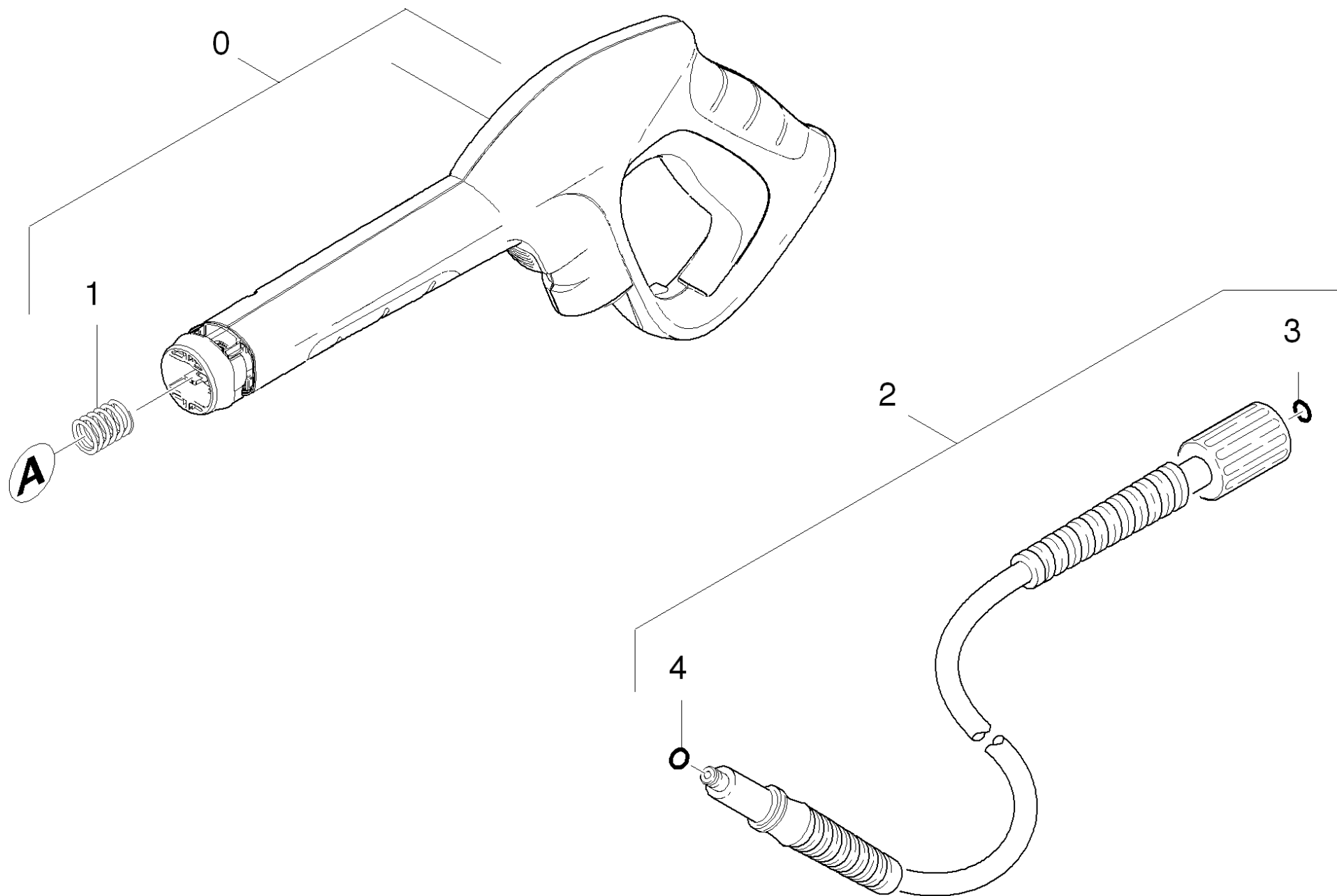
## 30 Motor

POS	Article no.	Description	Quantity	Unit
8	7.401-010.0	Ball bearing 6303 -St DIN 625	1.000	ST
3	9.039-188.0	Blower wheel	1.000	ST
6	7.304-395.0	Hexagonal head screw M8x16-8.8-A2E ISO	1.000	ST
4	6.964-090.0	Housing blower	1.000	ST
0	9.001-889.0	Motor replacement 9012-5550	1.000	ST
	<b>Item text1:</b> 1.636-460.0 /-461.0 /-462.0 /-463.0 /			
	<b>Item text2:</b> -464.0 /-467.0 /-468.0			
7	9.078-007.0	Rotary shaft seal 17x35x5	1.000	ST
1	9.086-185.0	Screw M 5x20	4.000	ST
5	7.312-233.0	Serrated lock washer A8,4-FSt-A3E DIN67	1.000	ST
2	6.964-092.0	Viscous oil 50ml	1.000	ST
10	9.001-880.0	Wobble plate complete 11°45'	1.000	ST
9	9.086-169.0	Wobble plate screw M8x16	1.000	ST

## 40 Accessories

---

<b>POS</b>	<b>Description</b>	<b>Quantity</b>	<b>Unit</b>	<b>Remark</b>
41	Hand trigger gun	1.000	ST	
42	Jet pipe	1.000	ST	
45	Pipe cleaning set	1.000	ST	
44	Power Brush	1.000	ST	
43	Surface cleaner	1.000	ST	T 400



## 41 Hand trigger gun

---

POS	Article no.	Description	Quantity	Unit
0	2.642-889.0	G 180 Q Trigger gun Quick Connect	1.000	ST
2	2.641-706.0	High pressure hose 16MPa/9m 60°C, verp.	1.000	ST
4	6.363-410.0	O-Ring seal 5,7x1,78 NBR 90Shore	1.000	ST
1	5.332-464.0	Pressure spring	1.000	ST
3	2.880-990.0	Spare part set O-Ring 5x -Kaercher	1.000	ST

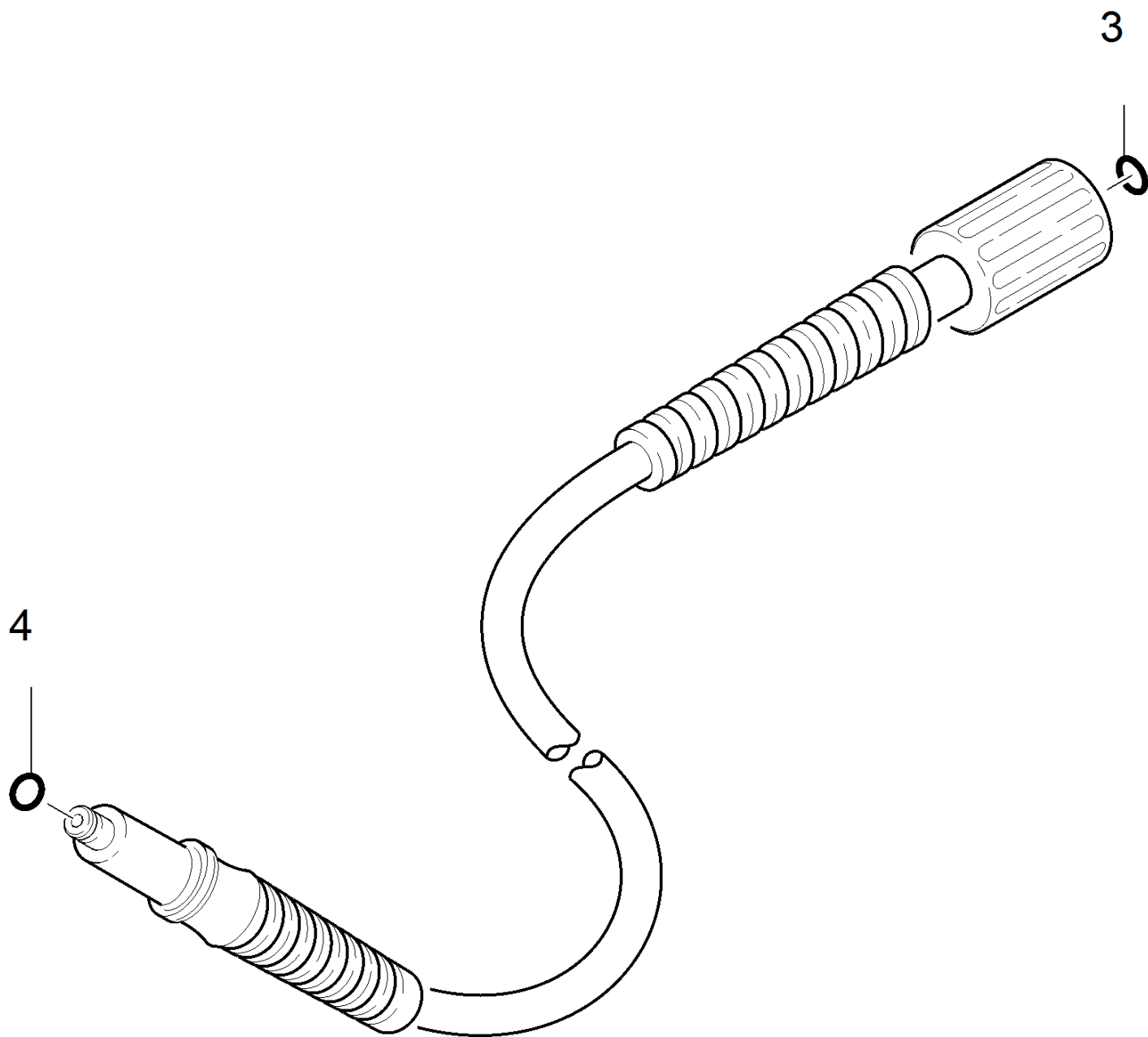


G 180 Q Trigger gun Quick Connect (2.642-889.0)

---

<b>POS</b>	<b>Article no.</b>	<b>Description</b>	<b>Quantity</b>	<b>Unit</b>
1	5.332-464.0	Pressure spring	1.000	ST

---

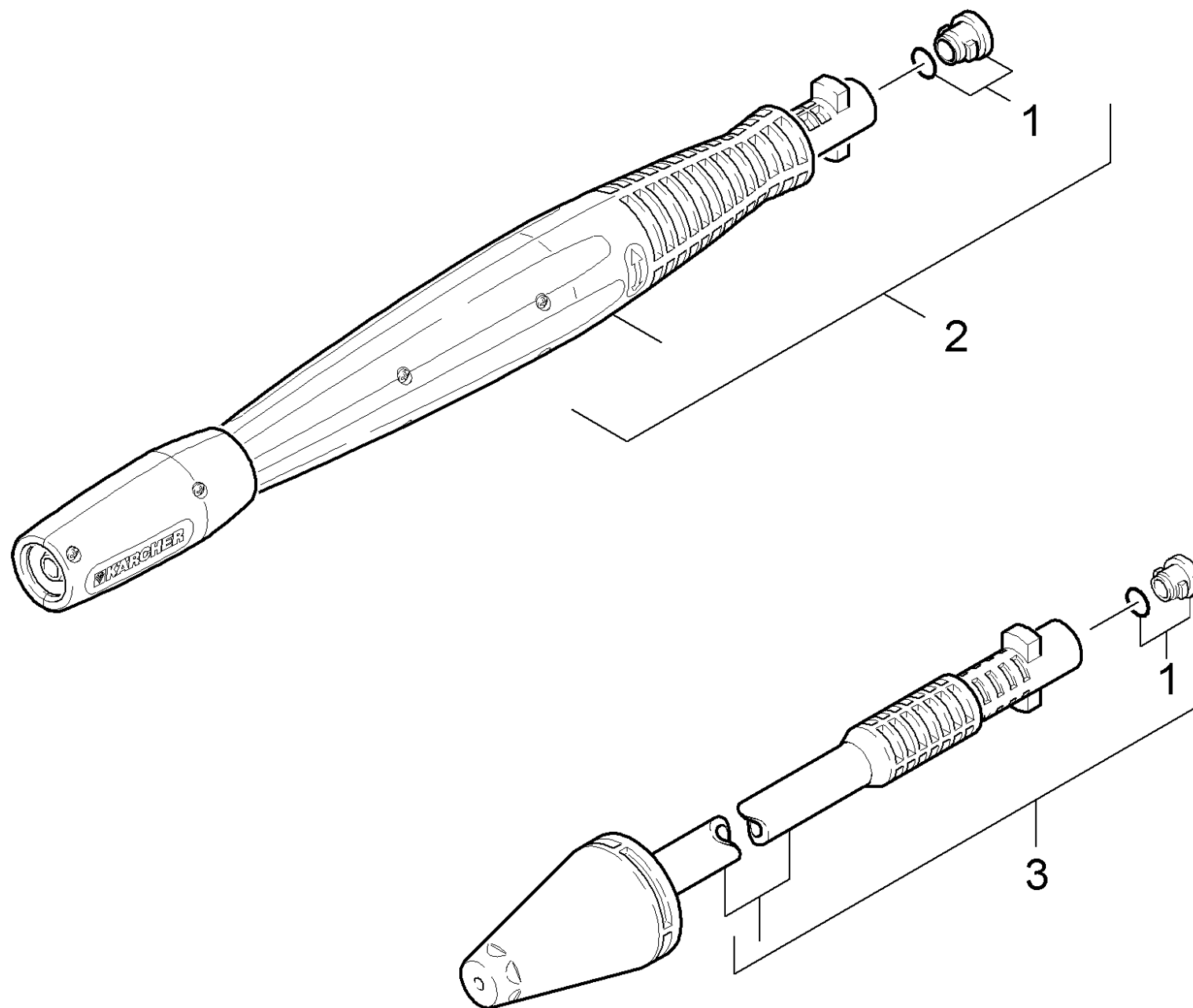


2 High pressure hose 16MPa/9m 60°C, verp. (2.641-706.0)

---

<b>POS</b>	<b>Article no.</b>	<b>Description</b>	<b>Quantity</b>	<b>Unit</b>
4	6.363-410.0	O-Ring seal 5,7x1,78 NBR 90Shore	1.000	ST
3	2.880-990.0	Spare part set O-Ring 5x -Kaercher	1.000	ST

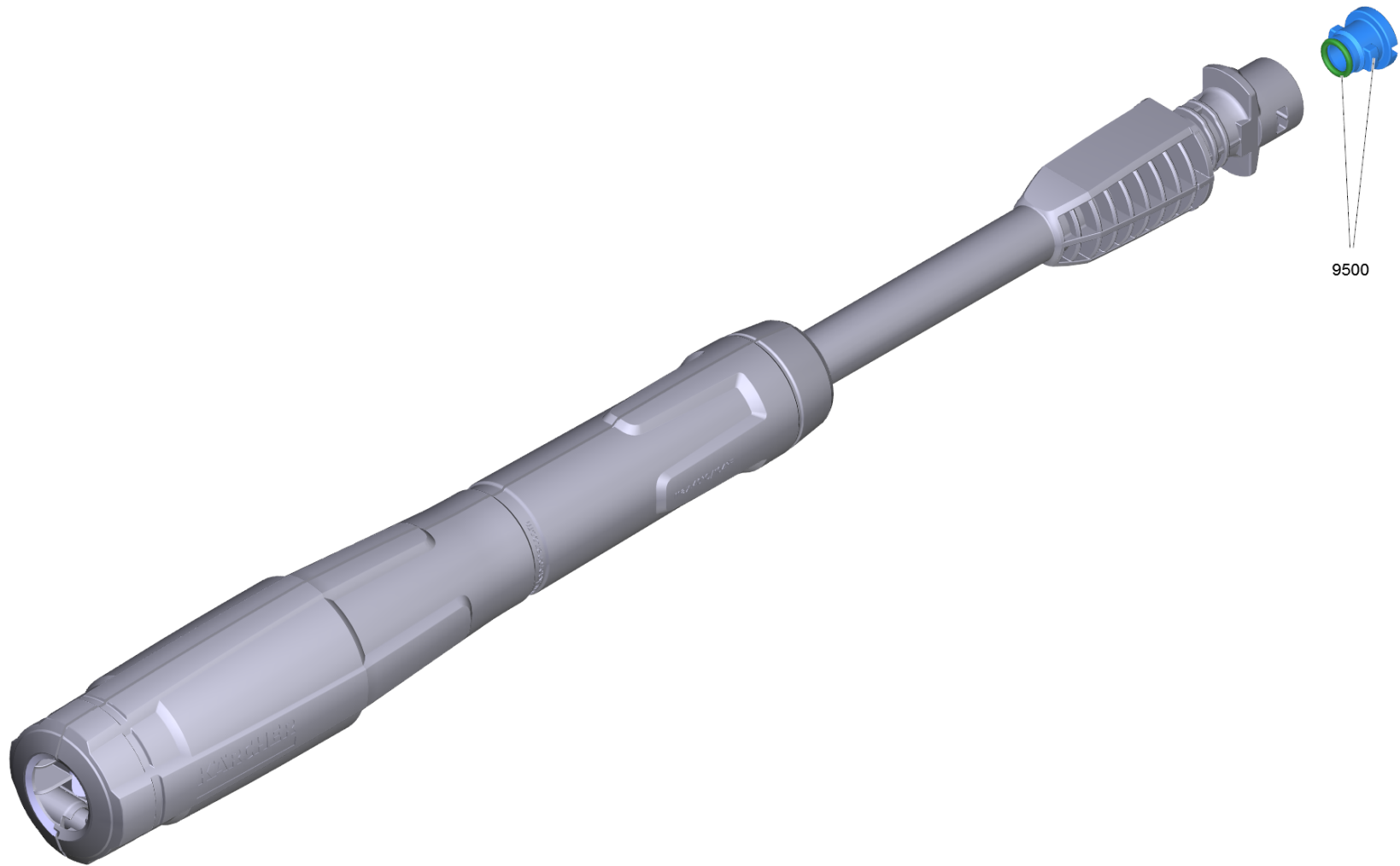




## 42 Jet pipe

---

POS	Article no.	Description	Quantity	Unit
3	2.643-243.0	DB 160 rotor nozzle	1.000	ST
3	4.764-281.0	Dirt blaster 031 St - CEM 14,5MPa	1.000	ST
	<b>Item text1:</b> 1.636-460.0 / -462.0			
1	2.640-729.0	O-Ring seal set	2.000	ST
2	2.642-725.0	VP 145 Vario Power Jet (packaged)	1.000	ST

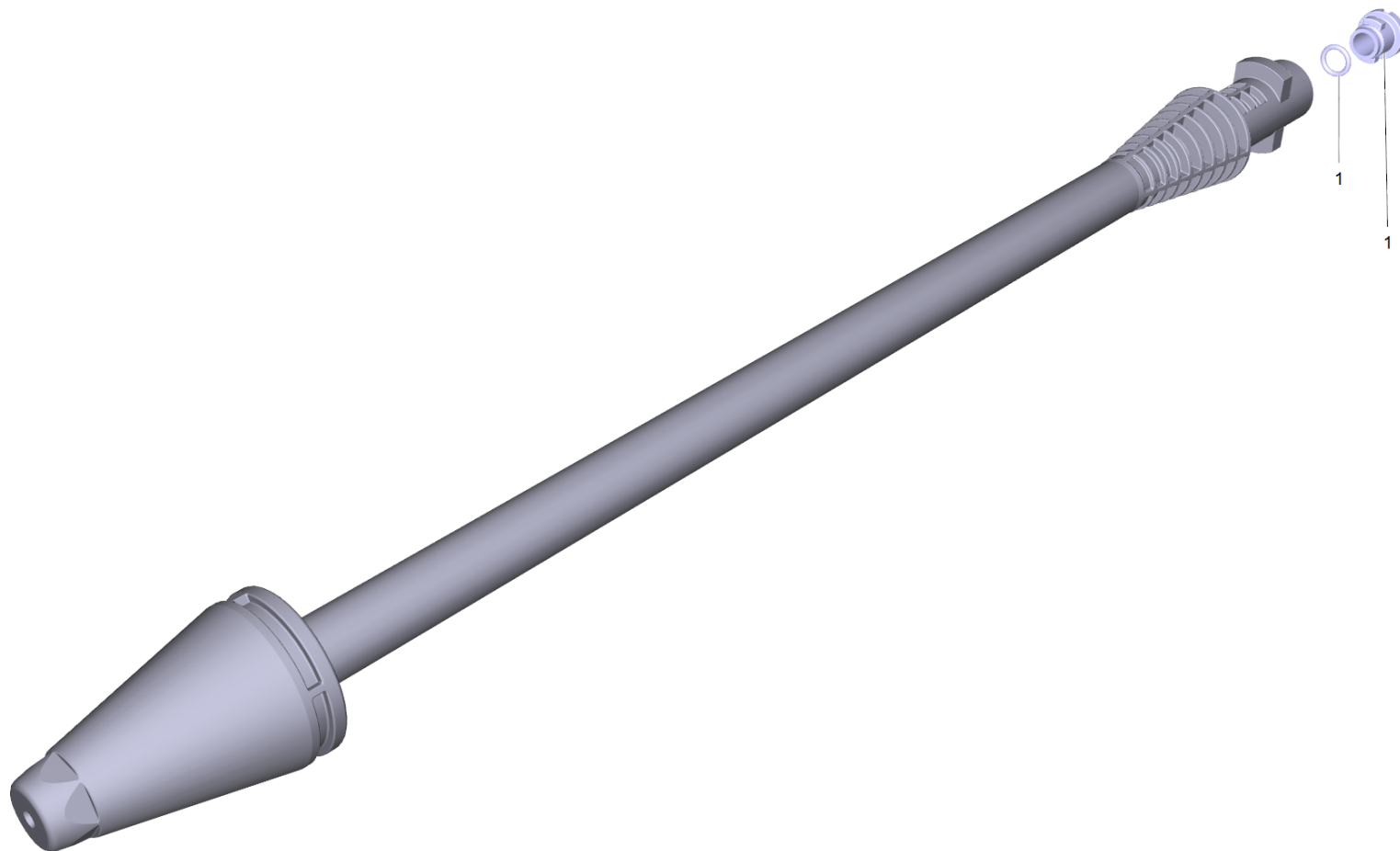


2 VP 145 Vario Power Jet (packaged) (2.642-725.0)

---

<b>POS</b>	<b>Article no.</b>	<b>Description</b>	<b>Quantity</b>	<b>Unit</b>
9500	2.640-729.0	O-Ring seal set	1.000	ST

---



3 Dirt blaster 031 St - CEM 14,5MPa (4.764-281.0)

---

<b>POS</b>	<b>Article no.</b>	<b>Description</b>	<b>Quantity</b>	<b>Unit</b>
1	2.640-729.0	O-Ring seal set	1.000	ST

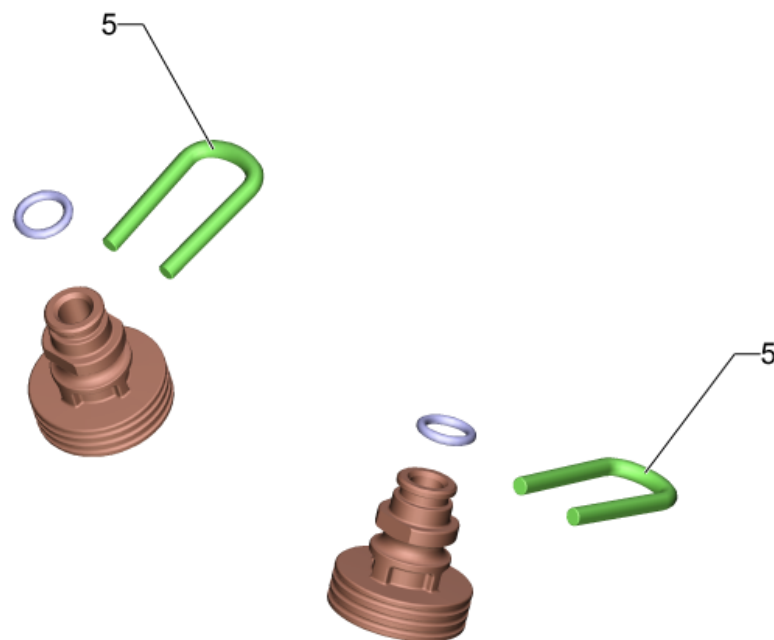
---




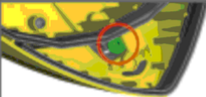









## 43 Surface cleaner




POS	Article no.	Description	Quantity	Unit	Foot note text
9	5.471-105.0	Coupling element jet pipe extension	1.000	ST	
14	5.394-873.0	Grate T 400 Plus	1.000	ST	
10	6.321-160.0	Handhold foamed material	1.000	ST	
5	4.760-495.0	Jet pipe	1.000	ST	
8	4.760-688.0	Jet pipe PS	1.000	ST	
13	7.343-206.0	Lock washer 12-2.1030 DIN 6799	1.000	ST	
18	4.764-190.0	Nozzle kpl. 75047	1.000	ST	
6	5.310-160.0	Nut Kaercher	1.000	ST	
4	6.363-615.0	O-Ring seal 11 x 1,5 -NBR70	1.000	ST	
7	2.640-729.0	O-Ring seal set	2.000	ST	
3	5.332-464.0	Pressure spring	1.000	ST	
12	5.394-661.0	Protection part	1.000	ST	
15	2.885-047.0	Set of gaskets T 400	1.000	ST	
11	2.885-097.0	Spare part set Bürsten T 400	1.000	ST	
16	2.885-048.0	Spare part set Rotor T 400	1.000	ST	
17	2.643-338.0	Spare parts nozzles T-Racer	1.000	ST	YELLOW
17	2.643-338.0	Spare parts nozzles T-Racer	1.000	ST	GREY





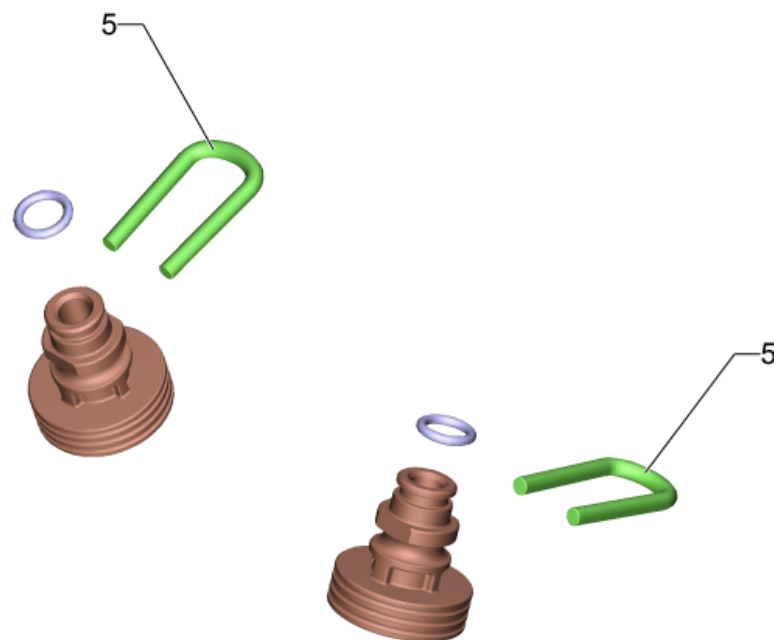
T 50, T 70, T 80, T 100 T 150, T 200, T 250, T 300, T 400, T 450, T 550	K 2 - K 5		
	K 6 - K 7		
T 400, T 450 T 550			
T 200, T 250	K 6 - K 7		
T 350 Gas			




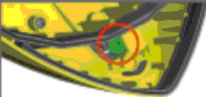




	K 3 - K 5	
	K 6 - K 7	




	K 2	
	K 3 - K 5	




17 Spare parts nozzles T-Racer (2.643-338.0)

POS	Article no.	Description	Quantity	Unit	Remark	Foot note text
5	5.037-151.0	Clamp	2.000	ST		
1	4.764-155.0	Nozzle complete 15015	1.000	ST	<13 MPa (<130 bar)	GREY
		<b>Item text1:</b> 015				
2	4.764-156.0	Nozzle complete 15020	1.000	ST	13 MPa (130 bar) - 16 MPa (160 bar)	YELLOW
		<b>Item text1:</b> 020				
3		Nozzle complete 15027	1.000	ST		BLACK
		<b>Item text1:</b> 027				
4	4.764-190.0	Nozzle kpl. 75047	1.000	ST		GREEN
		<b>Item text1:</b> 047				



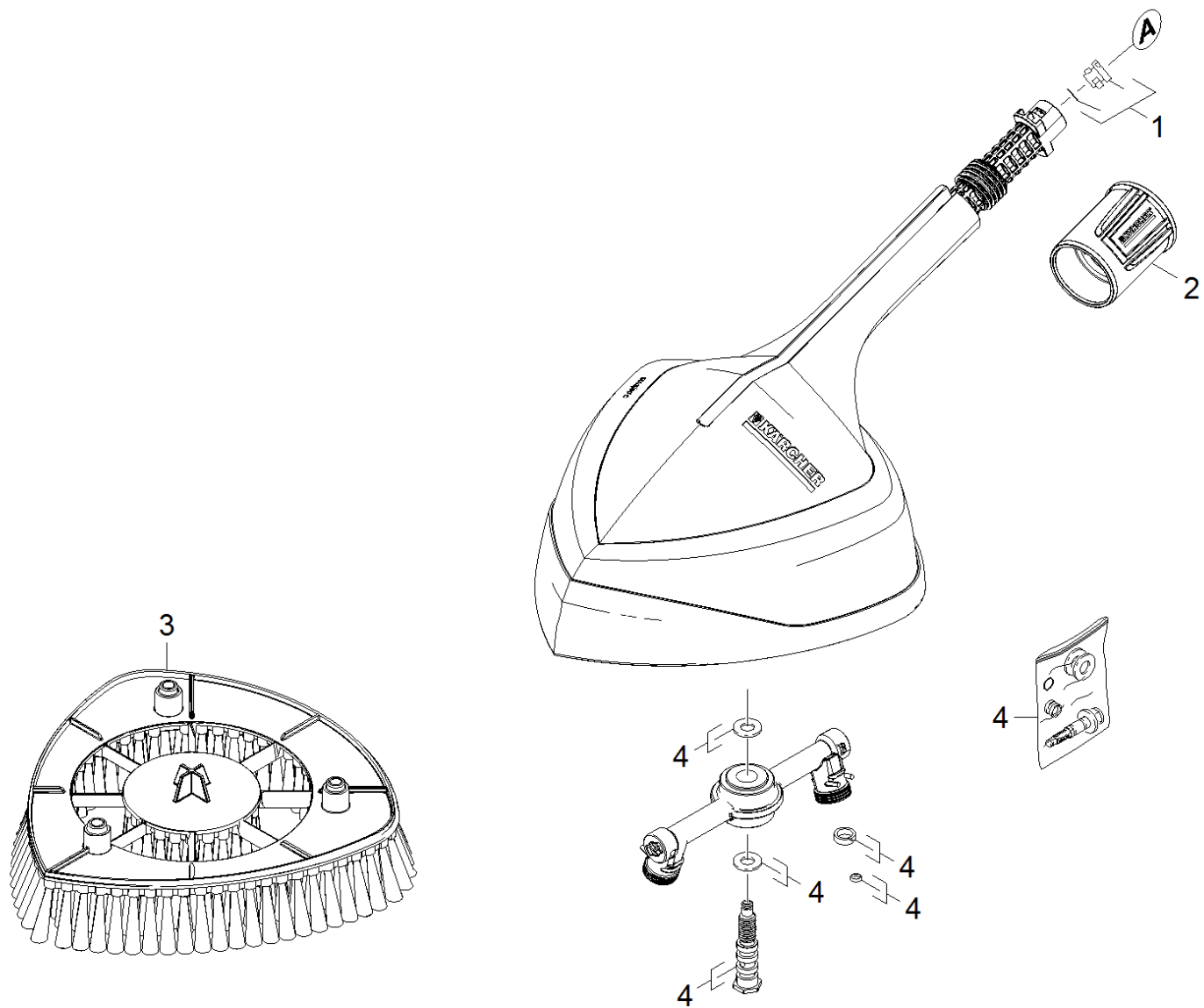
T 50, T 70, T 80, T 100 T 150, T 200, T 250, T 300, T 400, T 450, T 550	K 2 - K 5		
	K 6 - K 7		
T 400, T 450 T 550			
T 200, T 250	K 6 - K 7		
T 350 Gas			

	K 3 - K 5	
	K 6 - K 7	

	K 2	
	K 3 - K 5	

17 Spare parts nozzles T-Racer (2.643-338.0)

POS	Article no.	Description	Quantity	Unit	Remark	Foot note text
5	5.037-151.0	Clamp	2.000	ST		
1	4.764-155.0	Nozzle complete 15015	1.000	ST	<13 MPa (<130 bar)	GREY
		<b>Item text1:</b> 015				
2	4.764-156.0	Nozzle complete 15020	1.000	ST	13 MPa (130 bar) - 16 MPa (160 bar)	YELLOW
		<b>Item text1:</b> 020				
3		Nozzle complete 15027	1.000	ST		BLACK
		<b>Item text1:</b> 027				
4	4.764-190.0	Nozzle kpl. 75047	1.000	ST		GREEN
		<b>Item text1:</b> 047				

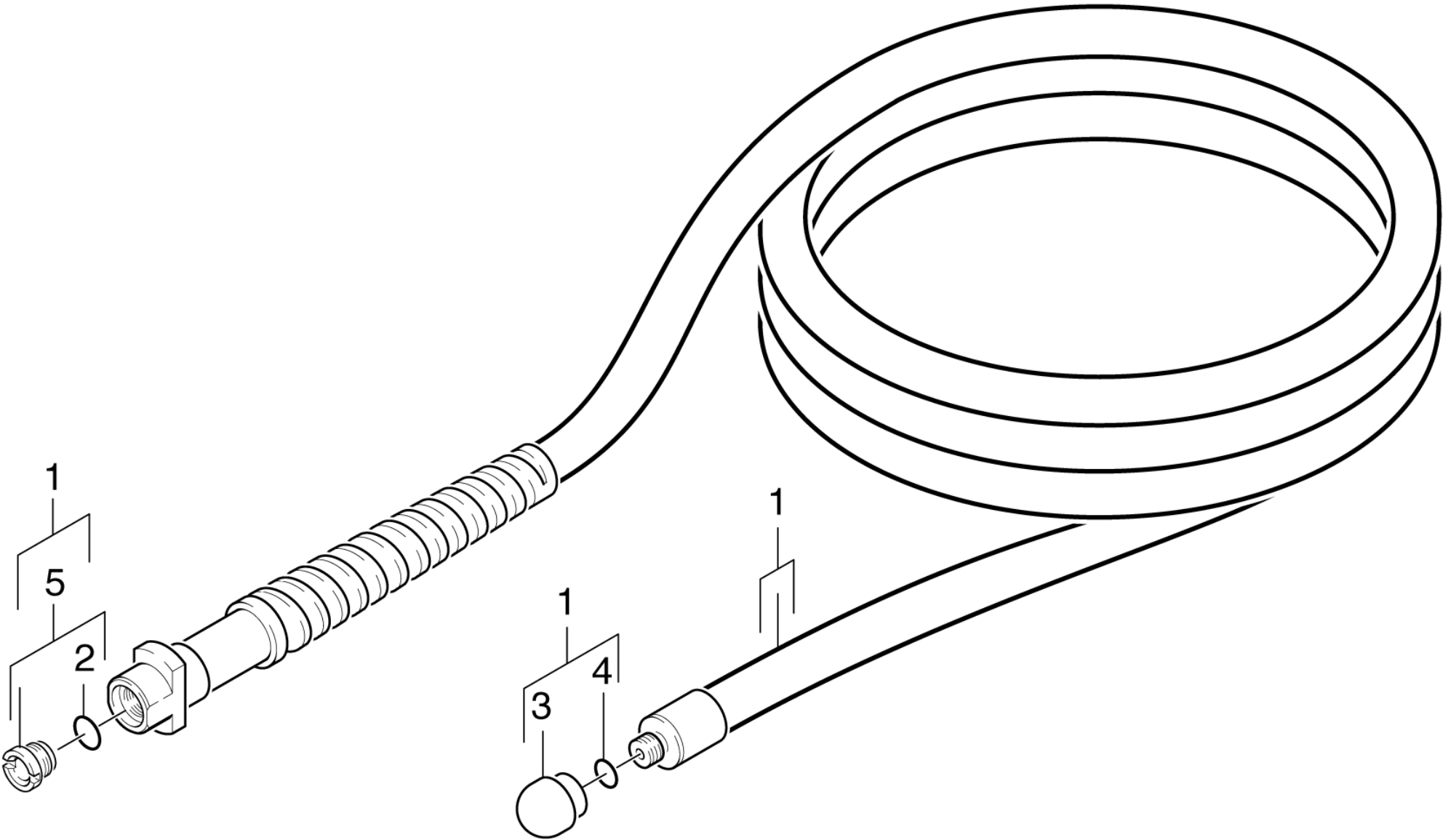


#### 44 Power Brush

---

<b>POS</b>	<b>Article no.</b>	<b>Description</b>	<b>Quantity</b>	<b>Unit</b>
3	5.762-404.0	Brush beam Power-Brush	1.000	ST
2	5.310-160.0	Nut Kaercher	1.000	ST
1	2.640-729.0	O-Ring seal set	1.000	ST
4	2.883-994.0	Spare part set set of gaskets neutrally	1.000	ST

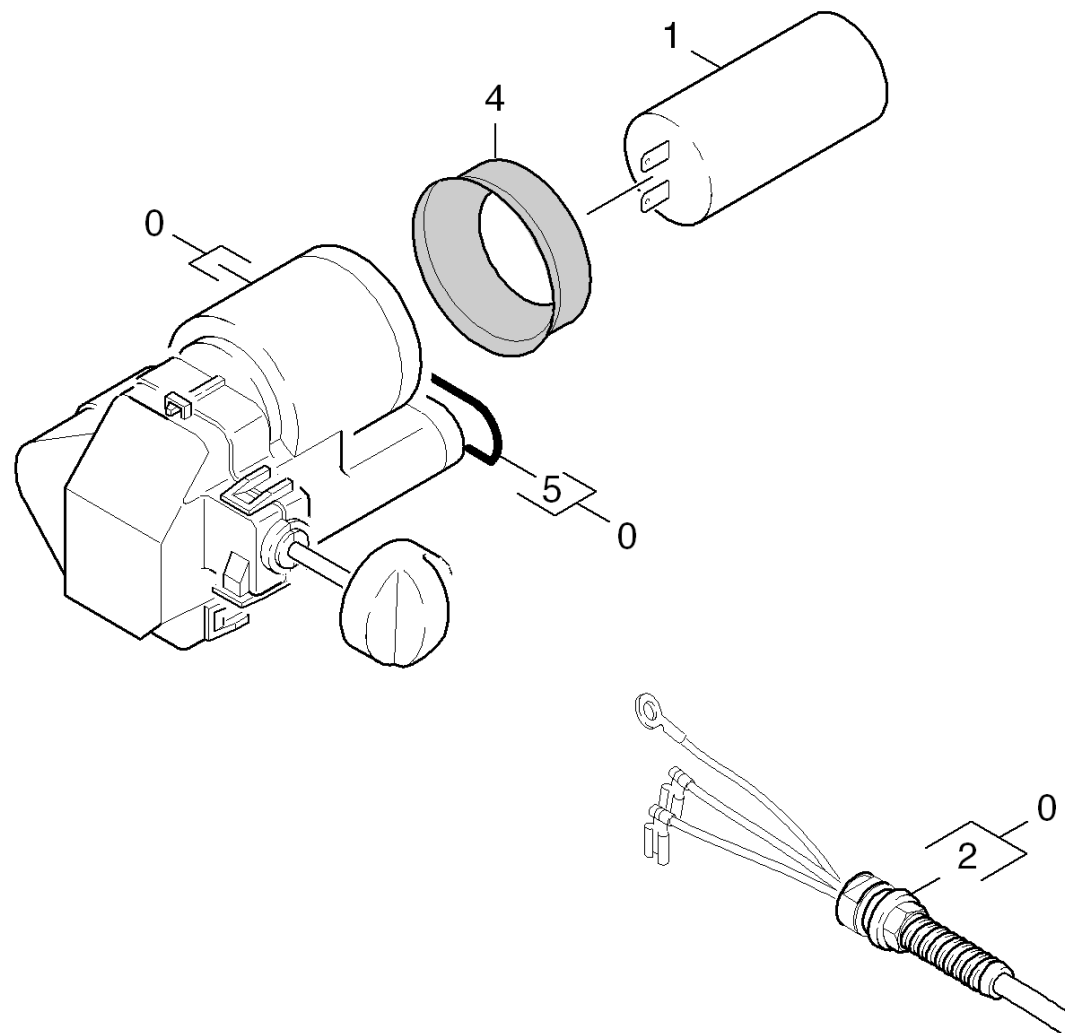




## 45 Pipe cleaning set

---

<b>POS</b>	<b>Article no.</b>	<b>Description</b>	<b>Quantity</b>	<b>Unit</b>
3	5.763-022.0	Nozzle Kärcher	1.000	ST
2	6.362-182.0	O-Ring seal 7,65x1,78 - NBR 90	1.000	ST
4	6.362-388.0	O-Ring seal 8,0x1,5 -EPDM 70	1.000	ST
5	2.883-112.0	Spare part set screw plug	1.000	ST
1	7.777-999.0	Stockpiling discontinued	1.000	ST



## 50 Electric box

POS	Article no.	Description	Quantity	Unit
2	9.084-146.0	Cable with plug *AU	1.000	ST
	<b>Item text1:</b> 1.636-465.0 /-466.0 /			
2	9.084-139.0	Cable with plug *EU	1.000	ST
	<b>Item text1:</b> 1.636-460.0 /-461.0 /-462.0 /-463.0 /			
	<b>Item text2:</b> -467.0 /-468.0			
2	9.084-290.0	Cable with plug 3G1 *CH	1.000	ST
	<b>Item text1:</b> 1.636-464.0			
1	9.085-013.0	Capacitor 25mF	1.000	ST
0	9.001-678.0	Electric box	1.000	ST
	<b>Item text1:</b> 1.636-464.0			
0	9.001-607.0	Electric box	1.000	ST
	<b>Item text1:</b> 1.636-460.0 /-461.0 /-462.0 /-463.0 /			
	<b>Item text2:</b> -467.0 /-468.0			
0	9.001-703.0	Electric box K5.55	1.000	ST
	<b>Item text1:</b> 1.636-465.0 /-466.0 /			
4	9.080-465.0	Joint ring capacitor d.45, 70 Shore	1.000	ST
5	9.081-417.0	O-Ring d.20 x 2	1.000	ST