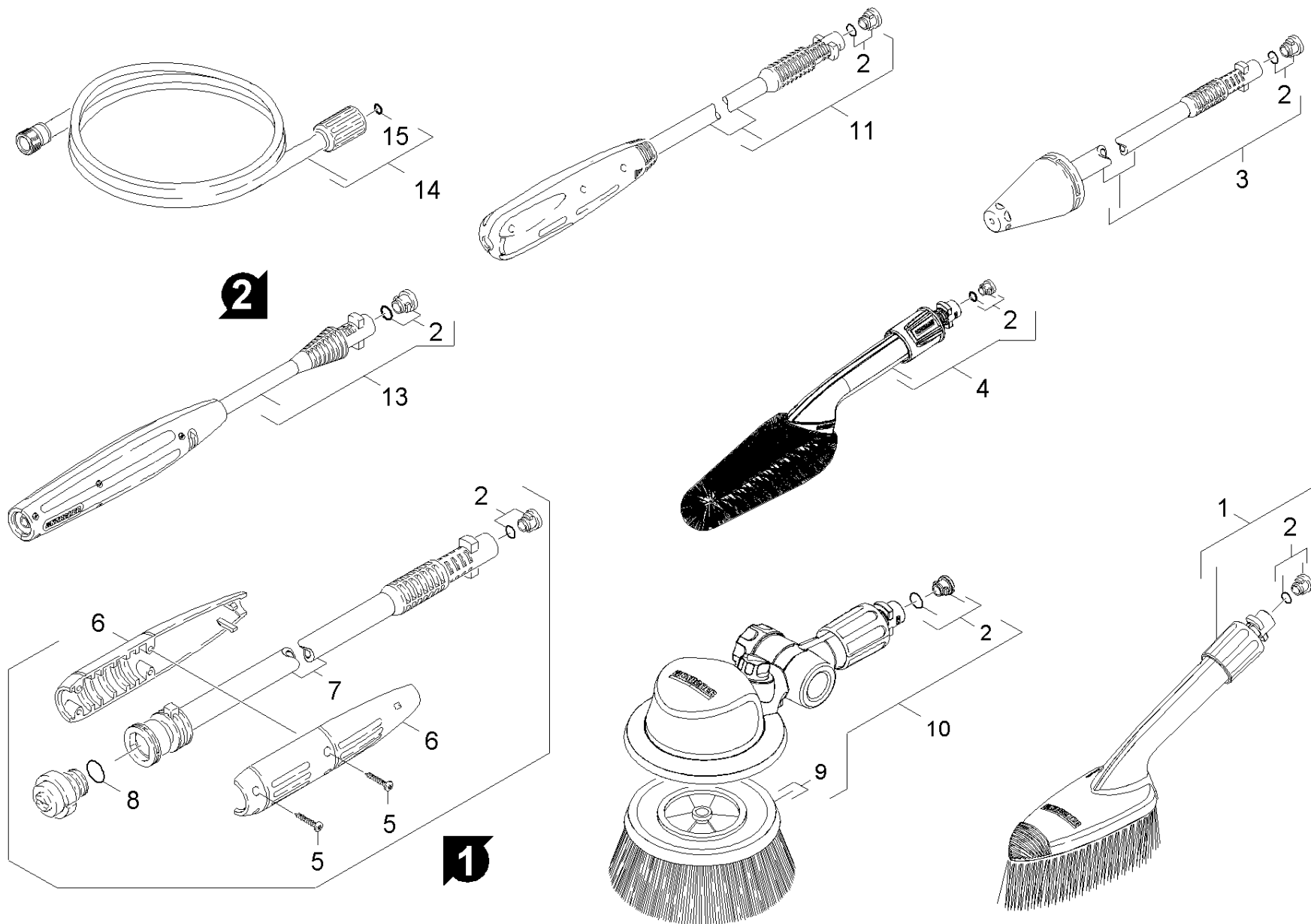


## 43 Jet pipe

Overview technical documents/Home & Garden/High pressure cleaner cold water/Electric motor/K 3/K 3.97 M. (1.423-100.0)/Spare parts list K 39X M/40 Accessories/43 Jet pipe



### 43 Jet pipe

Overview technical documents/Home & Garden/High pressure cleaner cold water/Electric motor/K 3/K 3.97 M. (1.423-100.0)/Spare parts list K 39X M/40 Accessories/43 Jet pipe

Rez.daļas/nodil.pakļ.dajas	Poz.	Materiāla Nr.	Nosaukums	Daudzums	Pārdoš. vienība	no sēr. Nr..	līdz sēr. Nr.
	1	2.640-589.0	Universal soft brush	1.000	ST	0000000000	0000000000
	2	2.640-729.0	O-Ring seal set	3.000	ST	0000000000	0000000000
X	3	4.764-281.0	Dirt blaster 031 St - CEM 14,5MPa	1.000	ST	0000000000	0000000000
X-X	4	2.640-699.0	Wheel washing brush	1.000	ST	0000000000	0000000000
	5	6.303-122.0	M4	6.000	ST	0000000000	0000000000
	6	9.036-402.0	Handhold few complete	1.000	ST	0000000000	0000000000
	7		Stockpiling discontinued	1.000	ST	0000000000	0000000000
	8	6.362-534.0	Gredzenblīve 18,0 X 2,0-NBR 70	1.000	ST	0000000000	0000000000
	9	5.762-331.0	switch complete	1.000	ST	0000000000	0000000000
X	10	2.643-236.0	WB 100 washing brush	1.000	ST	0000000000	0000000000
	11		Stockpiling discontinued	1.000	ST	0000000000	0000000000
	13	4.760-534.0	VPS spare part	1.000	ST	0000000000	0000000000
	14	6.389-092.0	Augstspiediena pagarināšana šļūtene 10m	1.000	ST	0000000000	0000000000
	15	2.880-990.0	spare part set o ring from 2.880-296.0	1.000	ST	0000000000	0000000000