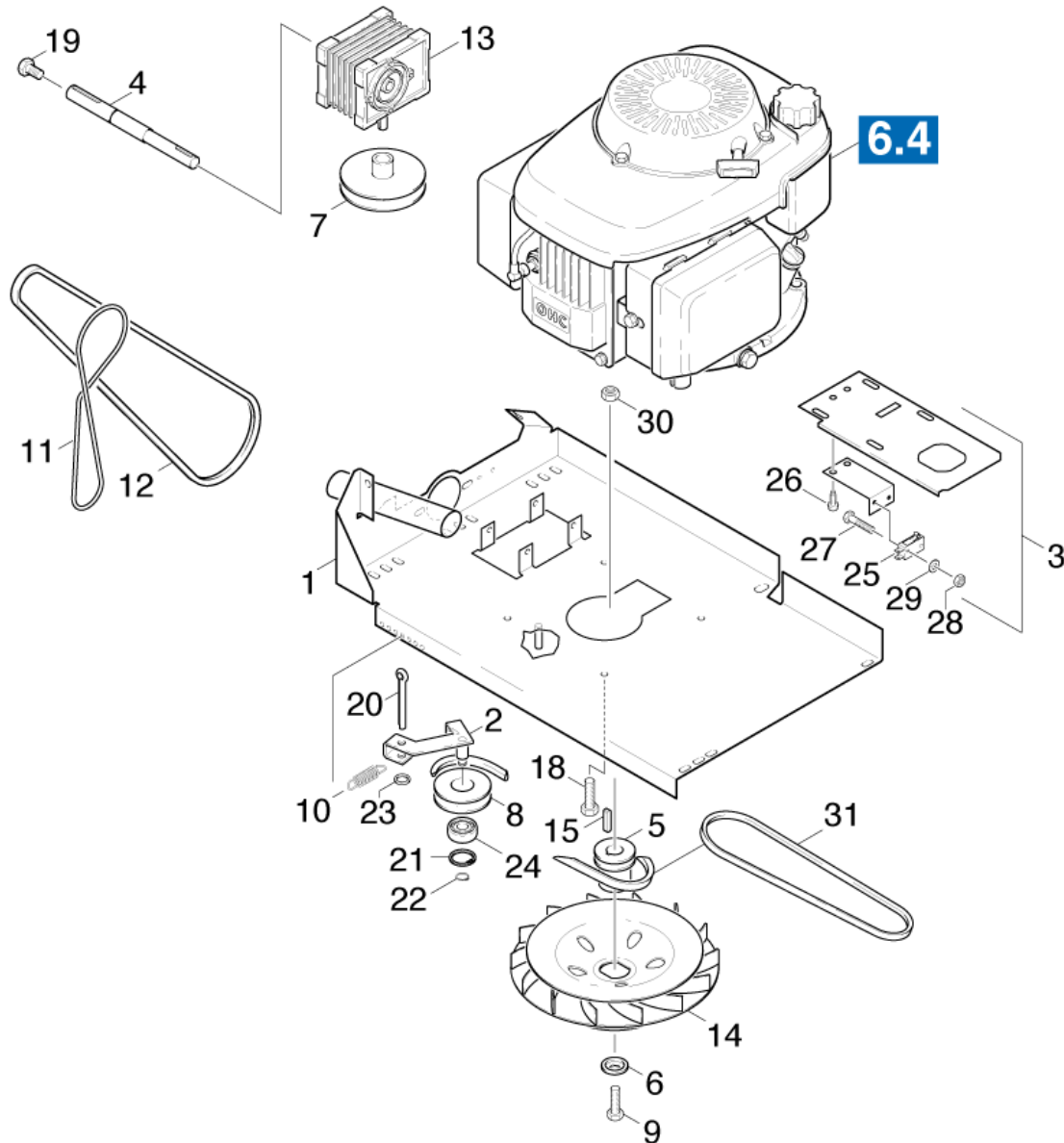


63 Motor mounting 4.5 HP

Professional \ Sweepers \ Combustion engine \ KSM 750 B TORNADO \ Spare parts list KSM 750 B HONDA \ Motor \ Motor mounting 4.5 HP



63 Motor mounting 4.5 HP

Professional \ Sweepers \ Combustion engine \ KSM 750 B TORNADO \ Spare parts list KSM 750 B HONDA \ Motor \ Motor mounting 4.5 HP



POS	Article no.	Description	Quantity	Unit
24	7.401-149.0	Ball bearing 608-2RS -Wälzl.St DIN 625	1.000	ST
8	5.625-375.0	Belt pulley belt stretcher 750 HO	1.000	ST
7	5.625-366.0	Belt pulley transmission gear	1.000	ST
2	4.622-011.0	Belt stretcher complete KSM 750 HONDA	1.000	ST
14	6.484-326.0	Blower wheel D=222mm	1.000	ST
20	7.316-342.0	Cotter 3,2x20 -St-A2E ISO 1234	1.000	ST
27	7.306-406.0	Cylinder head screw M3x16-4.8-A2E ISO 1	1.000	ST
10	6.330-173.0	Extension spring	1.000	ST
18	7.304-406.0	Hexagonal head screw M 8x35-8.8-A2E IS	1.000	ST
28	7.311-000.0	Hexagon nut M3 -6-A2E ISO 4032	1.000	ST
30	7.311-427.0	Hexagon nut M8 -04-A2E DIN 985	1.000	ST
22	7.343-127.0	Locking ring 8x0,8 -Rf-St DIN 471	1.000	ST
21	7.343-105.0	Locking ring 22x1-FST-PHR DIN 472	1.000	ST
15	6.491-207.0	Parallel key	1.000	ST
11	6.348-283.0	Round belt D10	1.000	ST
9	6.303-313.0	Screw 3/8"-24UNF	1.000	ST
26	7.303-030.0	Screw M4x8 -St-P2R (In6Rd)	1.000	ST
19	7.306-077.0	Screw M5x16 -8.8-R2R (In6Rd)	1.000	ST
4	5.100-311.0	Shaft	1.000	ST
5	5.100-344.0	Shaft motor -KSM 750 B HONDA	1.000	ST
3	5.048-828.0	Sheet metal component	1.000	ST
1	4.038-950.0	Sheet metal component Motortraeger KSM 7	1.000	ST
23	7.343-221.0	Shim ring 8x14x1-St2K50 DIN 988	1.000	ST
6	5.110-817.0	Sleeve blower wheel 750 HONDA	1.000	ST
25	6.631-788.0	Toggle switch	1.000	ST
31	6.348-350.0	V-Belt	1.000	ST
12	6.348-370.0	V-Belt Z/10	1.000	ST
29	7.312-030.0	Washer 3-CuZn-E2E ISO7089	1.000	ST
13	6.454-098.0	Worm gearing	1.000	ST