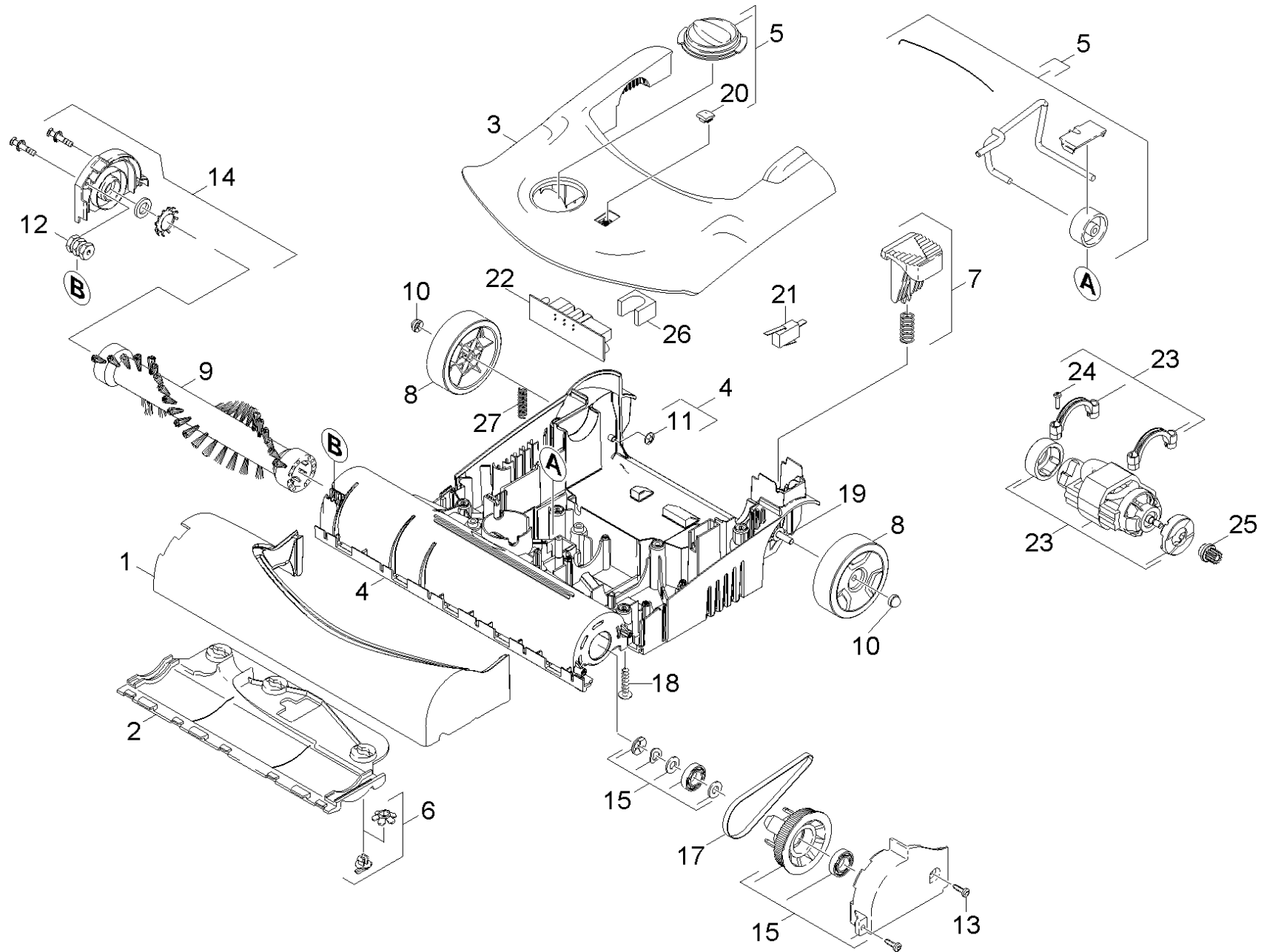


21 Brush-head

Professional \ Vacuum cleaner \ Dry vacuum cleaner \ CV 38/2 *EU \ Spare parts list CV 38/2, CV 48/2 \ Brush-head \ Brush-head



21 Brush-head

Professional \ Vacuum cleaner \ Dry vacuum cleaner \ CV 38/2 *EU \ Spare parts list CV 38/2, CV 48/2 \ Brush-head \ Brush-head



POS	Article no.	Description	Quantity	Unit	Foot note text
1	5.032-456.3	Bumper CV 38/1	1	PC	
2	5.059-141.3	Sliding bottom for replacement	1	PC	
3	4.062-008.0	Housing top part complete	1	PC	
	Item text1: 1.033-315.0 / -316.0 / -317.0 / -319.0				
3	4.062-013.0	Housing top part complete	1	PC	
	Item text1: 1.033-321.0 / -322.0 / -323.0				
4	4.062-007.0	Housing complete	1	PC	
5	4.515-311.0	Adjusting wheel complete	1	PC	
	Item text1: 1.033-315.0 / -316.0 / -317.0 / -319.0				
5	4.515-316.0	Adjusting wheel complete	1	PC	
	Item text1: 1.033-321.0 / -322.0 / -323.0				
6	2.889-084.0	Closure parts set for replacement	1	PC	
7	4.481-000.0	Foot pedal complete only for replacement	1	PC	BLACK
7	4.481-265.0	Foot pedal complete	1	PC	YELLOW
8	5.515-374.0	Wheel	2	PC	
9	6.906-643.0	Roller brush black	1	PC	
10	6.343-187.0	Lock washer	2	PC	
11	6.343-119.0	Lock washer	2	PC	
12	5.401-288.3	Screw connector part	2	PC	
13	7.303-106.0	Screw 4x12 -10.9-R2R (IN6RD)	2	PC	
14	4.063-892.0	Covering cap complete brush Aluminiumdru	1	PC	
15	4.063-774.0	Covering cap complete belt	1	PC	
17	6.348-460.0	Toothed belt	1	PC	
18	7.303-109.0	Screw 5x25 -10.9-R2R (In6Rd)	8	PC	
19	9.412-178.0	Axle	1	PC	
20	5.033-452.3	Lens	1	PC	
21	6.630-135.0	Micro switch	1	PC	
22	6.682-291.0	Printed circuit board 230V	1	PC	
23	4.613-008.0	Motor complete 230V	1	PC	
24	7.303-096.0	Screw 4x22-ST-10.9-R2R (IN6RD)	4	PC	
25	5.033-459.3	Pinion	1	PC	
26	6.286-573.0	Protecting cap	1	PC	
27	5.332-082.0	Helical spring	1	PC	