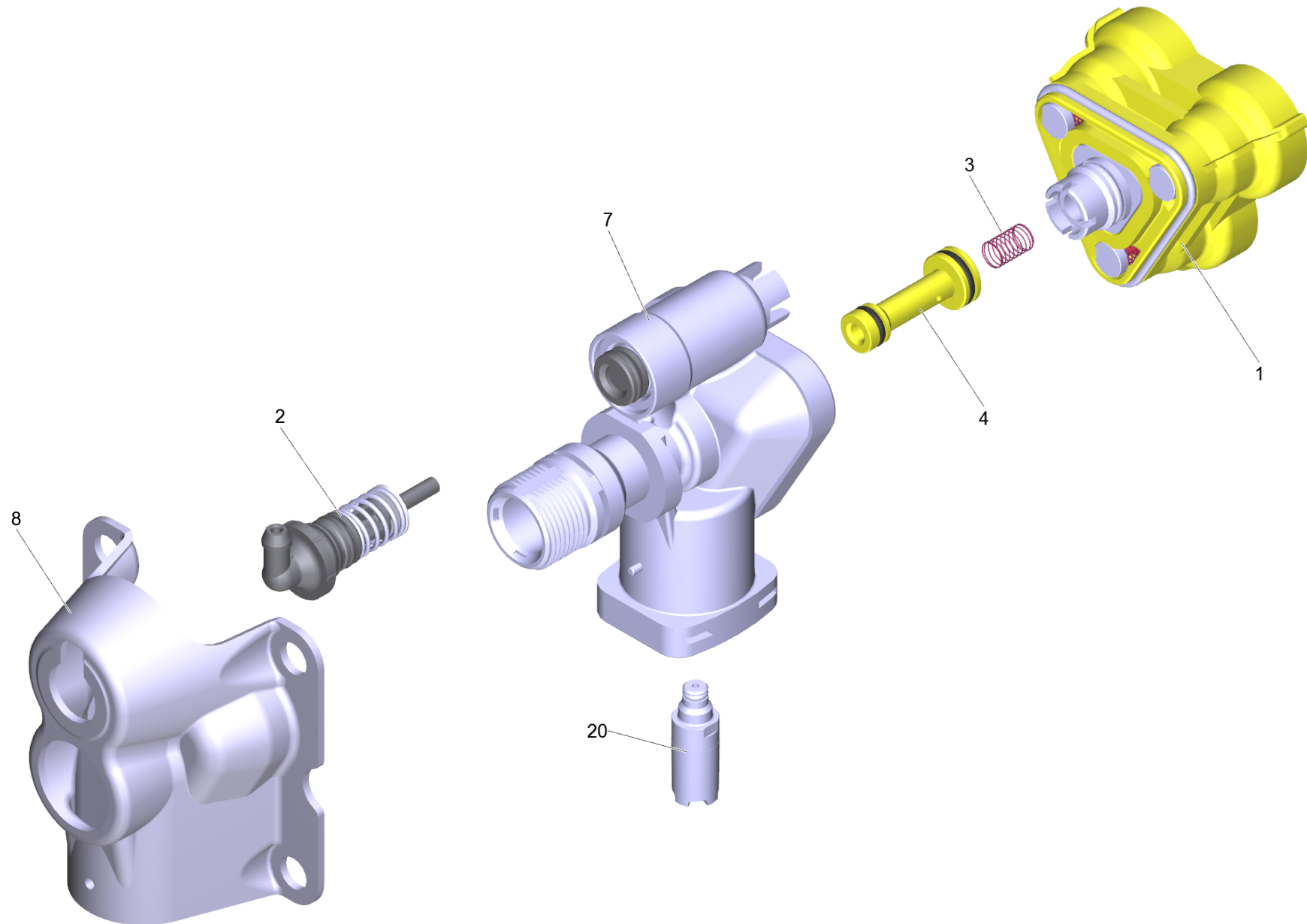


# 130 Pump k3 Mod plastic (HR)

Home and Garden \ High pressure cleaner cold water \ Electric motor \ K 4 \ K 4 Compact \*EU \ Pump set complete K4 NCR\*EU \ Pump k3 Mod plastic (HR)



## 130 Pump k3 Mod plastic (HR)

Home and Garden \ High pressure cleaner cold water \ Electric motor \ K 4 \ K 4 Compact \*EU \ Pump set complete K4 NCR\*EU \ Pump k3 Mod plastic (HR)

**KÄRCHER**

POS	Article no.	Description	Quantity	Unit
1	9.002-552.0	Head end WCM c/guarnizioni Tuico	1	PC
2	9.002-028.0	pressure piston HR (spare)	1	PC
3	9.047-026.0	Spring	1	PC
4	9.002-017.0	Venturi nozzle D.1,45	1	PC
7	9.002-029.0	manifold HR + pressure piston	1	PC
8	9.039-511.0	HR MANIFOLD flange	1	PC
20	4.580-601.0	Valve complete d. 1,8	1	PC