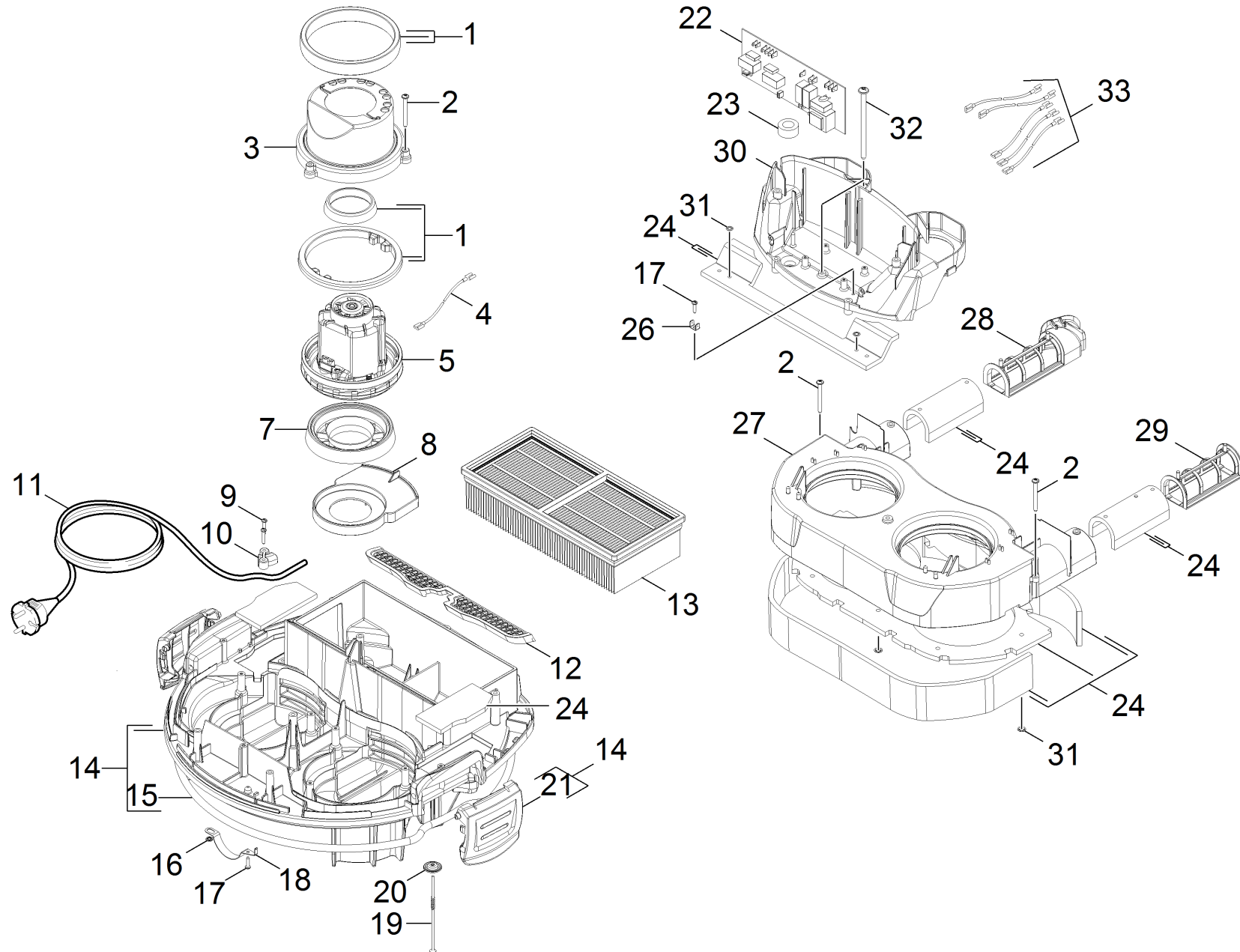


21 Vacuum motor with earthing

Professional \ Vacuum cleaner \ Wet-dry vacuum cleaner \ NT 65/2 Tact² Tc*EU \ Spare parts list NT 65/2 Tact² /Tc \ Vacuum motor with earthing



21 Vacuum motor with earthing

Professional \ Vacuum cleaner \ Wet-/dry vacuum cleaner \ NT 65/2 Tact² Tc*EU \ Spare parts list NT 65/2 Tact² /Tc \ Vacuum motor with earthing

KÄRCHER

POS	Article no.	Description	Quantity	Unit
1	2.363-001.0	Seal turbine Set	2	PC
2	7.303-085.0	Screw 4x 35 -10.9-R2R (K-In6Rd)	8	PC
3	5.605-340.0	Housing turbine	2	PC
4	6.649-678.0	Cable turbine	4	PC
5	6.490-245.0	Blower motor 230V	2	PC
7	5.195-290.0	Bearing blower	2	PC
8	5.401-322.0	Insert housing base plate	2	PC
9	7.303-096.0	Screw 4x22-ST-10.9-R2R (IN6RD)	2	PC
10	5.033-553.0	Covering cap power cable	1	PC
11	6.649-915.0	Power cable three-core 10m *EU	1	PC
12	5.363-729.0	Seal supply air	1	PC
13	6.907-277.0	Flat pleated filter PE M 0,95 m ²	1	PC
14	4.605-125.0	Housing base plate complete	1	PC
15	6.362-857.0	Cord cellular rubber D10	1	PC
16	6.343-139.0	Lock washer	1	PC
17	7.303-129.0	Screw 4x16-10.9-R2R (K-In6Rd)	2	PC
18	5.332-471.0	Spring electrically conducting	1	PC
19	5.107-287.0	Probe	2	PC
20	6.312-130.0	Washer	2	PC
21	5.033-434.0	Locking clip	2	PC
22	6.682-980.0	Electronics	1	PC
23	6.346-043.0	Ferrite ring	1	PC
24	2.286-003.0	Insulating mat air circulation Set	1	PC
26	6.649-914.0	Tab	1	PC
27	5.605-353.0	Housing air circulation	1	PC
28	5.394-894.0	Holder insulating mat right	1	PC
29	5.394-867.0	Holder insulating mat	1	PC
30	5.044-950.0	Holder electronics	1	PC
31	6.343-145.0	Lock washer 5	6	PC
32	7.303-171.0	Screw 5x80 -10.9-R2R (K-In6Rd)	2	PC
33	4.839-425.0	Electrical small parts	1	PC