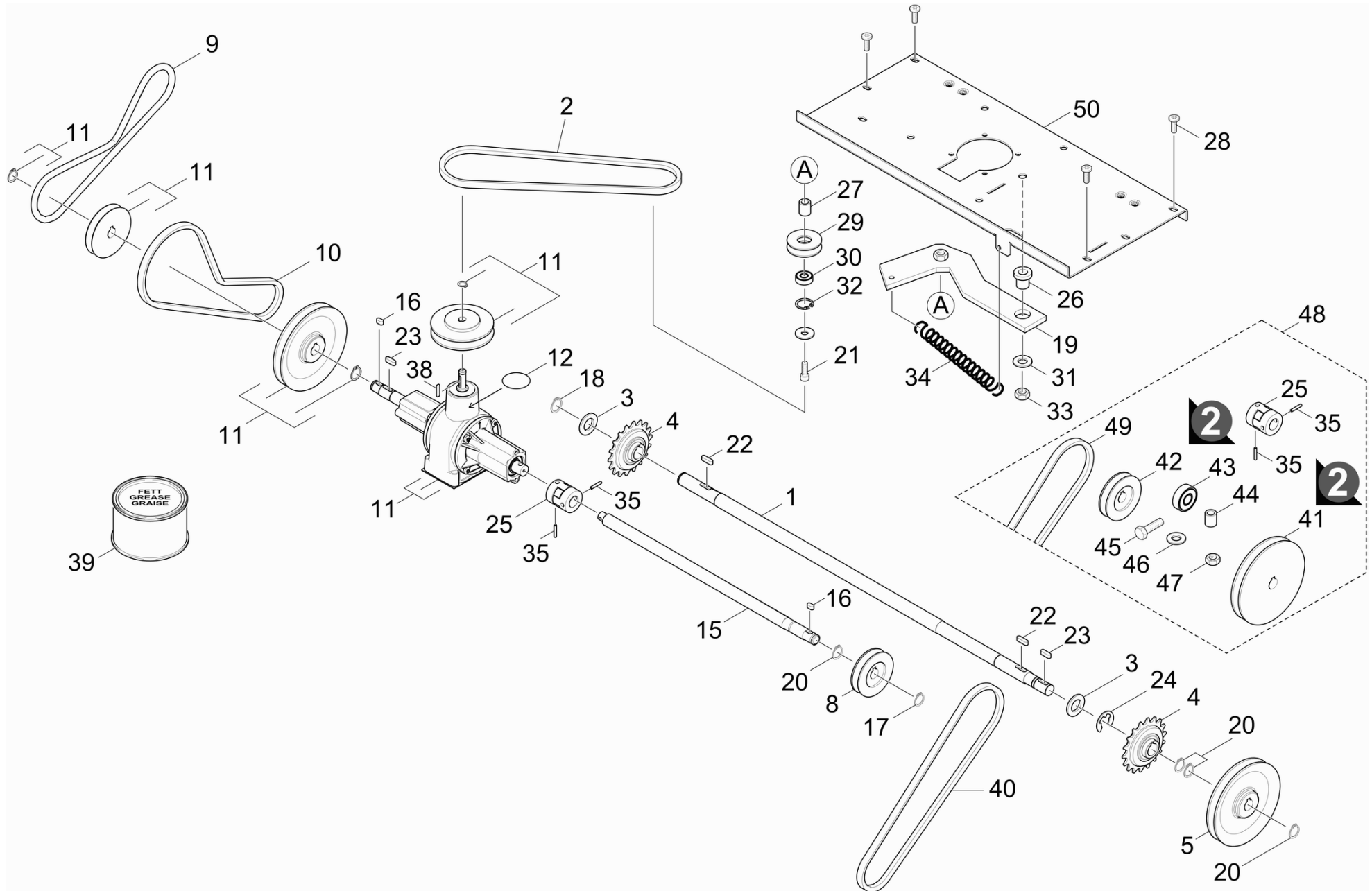


40 Transmission completely

Professional \ Sweepers \ Electric motor \ KM 75/40W Bp Pack Boels *EU \ Spare parts list KM 75/40 Bat \ Transmission completely



40 Transmission completely

Professional \ Sweepers \ Electric motor \ KM 75/40W Bp Pack Boels *EU \ Spare parts list KM 75/40 Bat \ Transmission completely



POS	Article no.	Description	Quantity	Unit	Remark
1	5.100-523.0	Shaft wheel axle	1.000	ST	
2	6.348-438.0	V-Belt motor	1.000	ST	
3	7.312-019.0	Washer 16-200HV-A3E ISO7089	3.000	ST	
4	6.401-440.0	Sprag clutch	2.000	ST	
8	5.625-482.0	Belt pulley gear	1.000	ST	
9	6.348-436.0	Round belt D10	1.000	ST	
10	6.348-437.0	V-Belt reversing rolling mill	1.000	ST	
11	2.852-824.0	Gear transmission cpl.	1.000	ST	supplier:Hangzhou Hengye Motor Manufacturing
11	2.852-236.0	Gear transmission for replacement	1.000	ST	
12	6.363-394.0	O-Ring seal 57x1,5	1.000	ST	
15	5.100-531.0	Shaft gear long	1.000	ST	
16	7.318-090.0	Parallel key A5x5x10-C45K DIN 6885	2.000	ST	
18	7.343-029.0	Locking ring 17x1-FST-RF DIN 471	1.000	ST	
19	4.040-642.0	Belt stretcher motor	1.000	ST	
20	7.343-015.0	Locking ring 15x1-FST-RF DIN 471	4.000	ST	
21	7.306-521.0	Cylinder head screw M 8x25-8.8-A2E DIN	1.000	ST	
22	7.318-003.0	Parallel key 5X 5X 18-C45K DIN 6885	2.000	ST	
23	7.318-002.0	Parallel key 5x5x16 -C45K DIN 6885-1	2.000	ST	
24	7.343-304.0	Lock washer 15 -A2 DIN 6799	1.000	ST	
25	6.465-027.0	Coupler	1.000	ST	
26	5.116-336.0	Sleeve belt stretcher	1.000	ST	
27	5.317-069.0	Bush	1.000	ST	
28	7.306-092.0	Screw M6x20-ST- 8.8-R3R (IN6RD)	4.000	ST	
29	5.625-375.0	Belt pulley belt stretcher 750 HO	1.000	ST	
30	7.401-149.0	Ball bearing 608-2RS -Wälzl.St DIN 625	1.000	ST	
31	7.312-277.0	Washer 8-200HV-A2E ISO7093-1	1.000	ST	
32	7.343-105.0	Locking ring 22x1-FST-PHR DIN 472	1.000	ST	
33	7.311-060.0	Hexagon nut M 8-A2-70 EN 1661	1.000	ST	
34	6.330-183.0	Extension spring	1.000	ST	
35	7.314-945.0	Spring pin 5,0x28-St ISO 8752	2.000	ST	Version 2 (l = 28mm)
35	6.491-557.0	Spring pin	2.000	ST	Version 1 (l = 25,4mm)
38	7.318-105.0	Parallel key A3x3x18 -C45K DIN 6885	1.000	ST	
39	6.288-095.0	Viscous oil	1.000	ST	

40 Transmission completely

Professional \ Sweepers \ Electric motor \ KM 75/40W Bp Pack Boels *EU \ Spare parts list KM 75/40 Bat \ Transmission completely

KÄRCHER

POS	Article no.	Description	Quantity	Unit	Remark
40	6.348-454.0	V-Belt 1292 mm	1.000	ST	
41	5.625-007.0	Belt pulley D = 115 mm	1.000	ST	
42	5.625-500.0	Belt pulley gear	1.000	ST	
43	7.401-047.0	Ball bearing 626-2RS -Wälzl.St. DIN 625	2.000	ST	
44	5.116-408.0	Sleeve	1.000	ST	
45	7.304-120.0	Hexagonal head screw M 6x35-A4-70 ISO 4	1.000	ST	
46	7.312-045.0	Washer 6-200HV-P4E ISO 7089	1.000	ST	
47	7.311-512.0	Hexagon nut M 6-8-A2E ISO 7040	1.000	ST	
48	2.641-958.0	Conversion kit belt pulley KM 75/40	1.000	ST	
49	6.348-355.0	V-Belt Z/10	1.000	ST	
50	4.040-632.0	Carrier motor complete	1.000	ST	