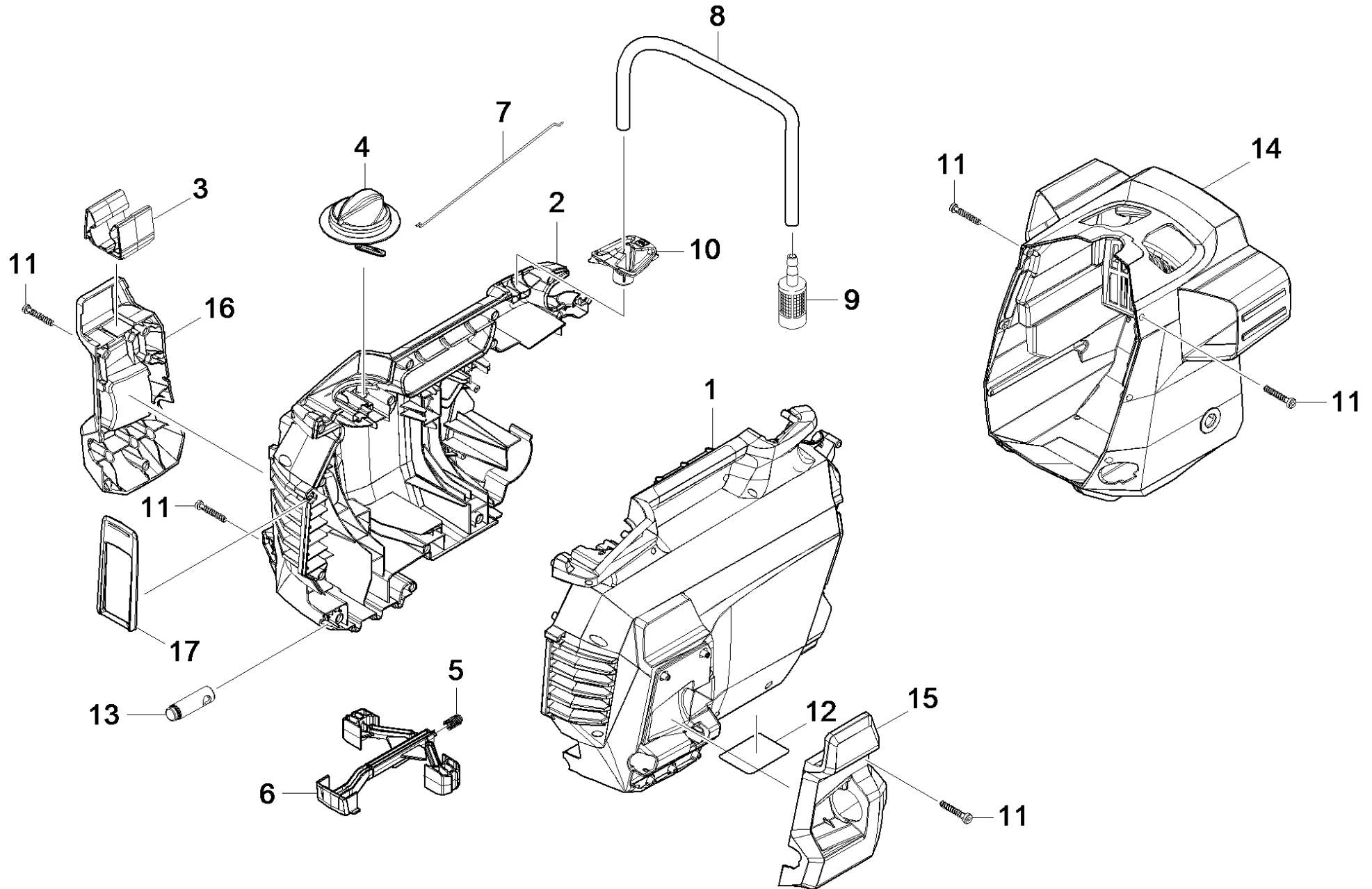


11 Housing

Professional \ High pressure cleaner cold water \ Electric motor \ HD 5/17 C *EU \ Spare parts list HD 5/17 \ Housing \ Housing



11 Housing

Professional \ High pressure cleaner cold water \ Electric motor \ HD 5/17 C *EU \ Spare parts list HD 5/17 \ Housing \ Housing

POS	Article no.	Description	Quantity	Unit	Foot note text
1	5.646-048.3	Housing left for replacement	1	PC	
2	5.646-049.3	Housing right for replacement	1	PC	
3	5.645-938.0	Holder jet pipe	1	PC	
4	4.324-057.0	Handle complete	1	PC	
5	5.332-001.0	Helical spring	1	PC	
6	5.645-675.3	Locking part	1	PC	
7	5.107-313.0	Switch rod	1	PC	
8	6.388-216.0	Hose DN 5 (PVC)	1,05	m	TO ORDER AS CUT GOODS
9	4.862-225.0	Filter chemistry regulation	1	PC	
10	5.645-841.0	Cover cleaning agents	1	PC	
11	6.303-566.0	Screw 4,2x22 R2R	24	PC	
12	5.387-620.0	Warning sign new	1	PC	
13	5.645-852.0	Retainer accessories	1	PC	
14	5.645-654.0	Housing bottom	1	PC	
15	5.646-025.0	Holder left	1	PC	
16	5.646-024.0	Holder right	1	PC	
17	5.379-043.0	Strap	1	PC	